

alphabet

THETA750 SNAP SOLO

Recessed - Integrated Heat Sink -
Snap In Standard White



DESCRIPTION

Theta750 Snap Solo features an integrated heat sink for installation in a range of materials from metal to wood.

Theta750 Snap Solo features a patented design with a collapsible thread. With one easy push, the module snaps securely into the material. Removal is only possible with a unique extraction tool. Series shunt bypass ensures remaining operate if single puck failure.

HOUSING

Extremely durable 316 stainless steel marine grade electro-polished housing, with 3.5" (90mm) 20AWG wire leads

MOUNTING

- Install in a range of materials from metal to wood. Luminaire is for use in non-insulated recessed surfaces
- Flat mounting surface
- Through hole required for wiring in alternate materials
- Aperture - 15mm or 15mm + (16mm x 0.5mm) counterbore (required for flush finish)

ELECTRICAL/LED Driver

- 3Vdc, 500mA, 1.5W (Remote Driver Required)
- Cool splice connector included
- Ambient operating temperature: -40°C to + 55°C
- Series shunt bypass ensures remaining operate if single puck failure
- 15 puck maximum per driver

LISTINGS

- ETLus Listed to UL2108 (suitable for wet locations)
- cETL Listed to CSA C22.2 #250.0
- Impact tested to IK10 (EN62262) PC lens only
- IP65 rated with PC lens
- IP67 rated with Borosilicate glass lens
- 3000k or warmer must be selected for International Dark-Sky Association approval.

LED INFO

- LED: Cree Xlamp® XP-G3
Cree Xlamp® XP-GA (Amber-590nm *Dominant Wavelength* complies with Wildlife and Marine Turtle safelighting requirements)
- Duv: 0.001
- CCT: 2700K, 3000K, 3500K, 4000K, amber
- CRI: >80
- Lumen Maintenance: L₉₀> 90,700 hrs
- Warranty: 5 year limited warranty

PROJECT INFORMATION		
JOB NAME		TYPE
ORDERING CODE		

ORDERING CODE

SERIES	750SS	snap solo
CCT	27K 30K 35K 40K AMB BL GR RD	2700K 3000K 3500K 4000K amber blue green red
BEAM	ST VA	70° standard 75° asymmetric
LENS	PC BG	polycarbonate - IP65 borosilicate glass - IP67
FACE TYPE	FF	flat face

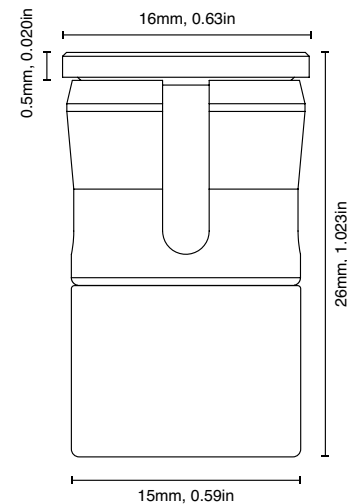
ORDERING CODE

Follow the steps to specify your fixture, example:

750SS - 27K - ST - PC - FF

LUMENS FOR ST/VA BEAM OPTION	
LUMENS (LM)	CCT (K)
165	2700
170	3000
175	3500
180	4000
145	amber

See page 4 for Design Guide.



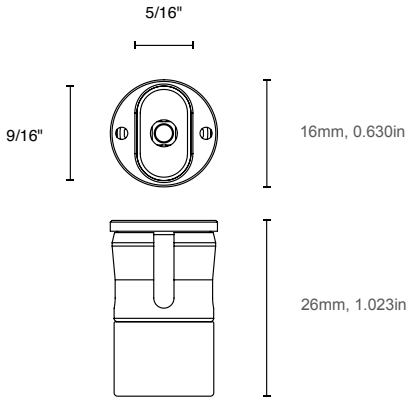
alphabet

PROJECT INFORMATION		
JOB NAME		TYPE
ORDERING CODE		

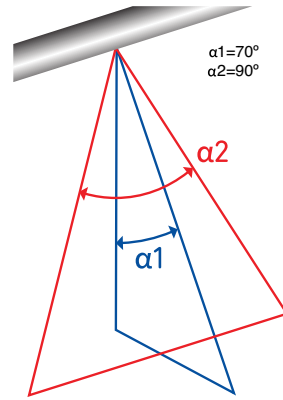
STANDARD BEAM

THETA750 Snap Solo Standard Beam has an elliptical symmetric distribution. Snap Solo is available in a range of standard distributions and special angles on request. Asymmetrical beam, see page 3.

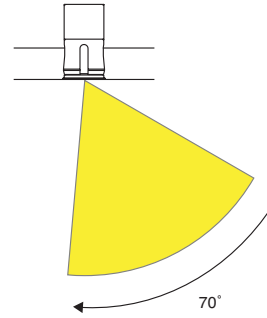
THETA750 SNAP SOLO ST
FLAT FACE DETAIL



THETA750 SNAP SOLO ST
BEAM ALPHA 3000K

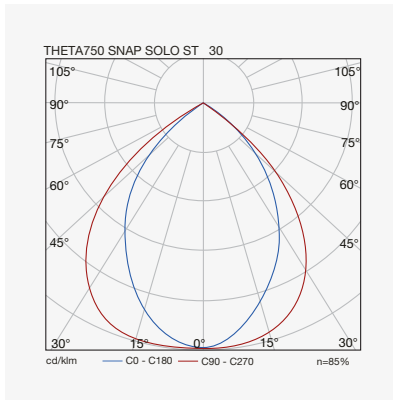


THETA750 SNAP SOLO ST
STANDARD BEAM



Elliptical symmetric distribution displayed here with a vertical mount.

THETA750 SNAP ST 30
STANDARD SYMMETRICAL BEAM 3000K



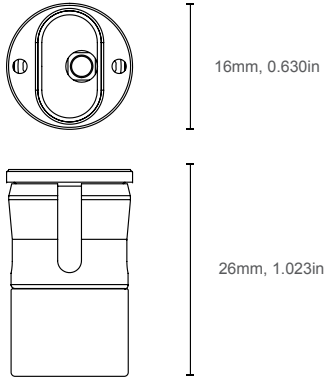
alphabet

PROJECT INFORMATION		
JOB NAME		TYPE
ORDERING CODE		

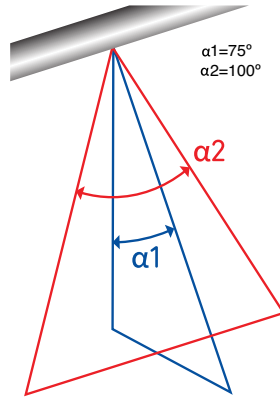
ASYMMETRICAL BEAM

THETA750 Snap Solo Asymmetric has an elliptical asymmetric distribution. The asymmetric beam illuminates the path but keeps the light source out of sight. Snap Solo is available in a range of standard distributions and special angles on request.

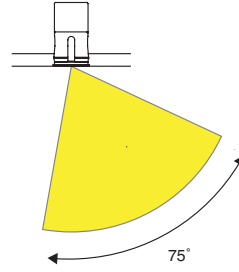
THETA750 SNAP SOLO VA
FLAT FACE DETAIL



THETA750 SNAP SOLO VA
BEAM ALPHA 3000K

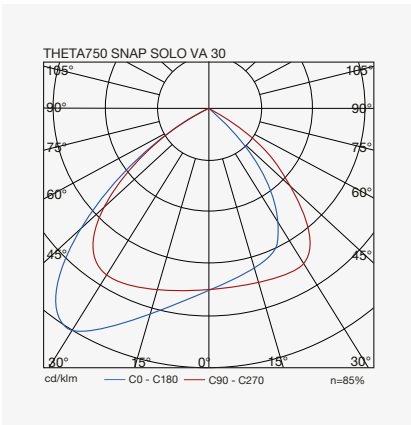


THETA750 SNAP SOLO VA
ASYMMETRICAL BEAM



Elliptical asymmetric distribution displayed here with a vertical mount

THETA750 SNAP SOLO VA 30
ASYMMETRICAL BEAM 3000K

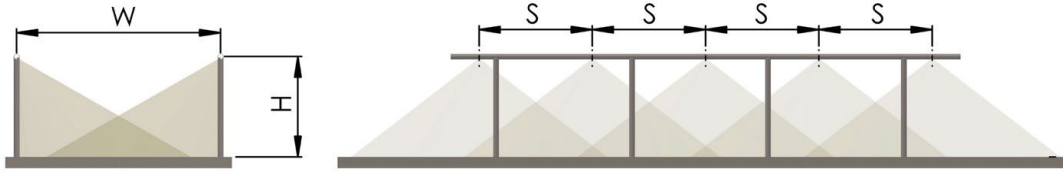


PROJECT INFORMATION			
JOB NAME		TYPE	
ORDERING CODE			

SPACING GUIDE

The following guide is intended to help designers and engineers with desired foot-candle levels. The drawing to the right shows a typical installation into a handrail. The tables list the average foot-candles at a variety of path widths and LED spacings.

TYPICAL INSTALLATION



Height (H) is at 3'-1/4"

STANDARD WHITE - STANDARD BEAM IP65-67: LIGHT FROM BOTH SIDES

PATH WIDTH (W)	4ft	6.5ft	10ft	13ft
LED SPACING (S)	fc	fc	fc	fc
1.5ft	32	19	13	10
3ft	16	10	6	5
6.5ft	8	5	3	2

fc = average foot-candles
CCT = 3000K
NOTE: Calculations indicated are with LED module installed at 30° offset from vertical down axis.

STANDARD WHITE - ASYMMETRICAL BEAM IP65-67: LIGHT FROM BOTH SIDES

PATH WIDTH (W)	4ft	6.5ft	10ft	13ft
LED SPACING (S)	fc	fc	fc	fc
1.5ft	27	16	11	8
3ft	14	8	5	4
6.5ft	7	4	3	2

fc = average foot-candles
CCT = 3000K
NOTE: Calculations indicated are with LED module in vertical down position.

PROJECT INFORMATION		
JOB NAME		TYPE
ORDERING CODE		

THETA750 SNAP TOOL KIT - FOR ROUND OR SQUARE HANDRAIL



Product Number: 750-TOOL KIT ZETA SNAP

- 1 1 x Drill Jig unit pre-installed with 1 x 15 and 16mm cutters
- 2 1 x Flat Face Spacer (for use ONLY with Flat face / Square Pipe).
Not Shown.
- 3 1 x Drilling manual (this guide)
- 4 2 x 15mm cutters (spares)
- 5 1 x 16mm cutter (spare)
- 6 1 x Cutter removal tool (double-sided)
- 7 1 x 2mm Allen (hex) key
- 8 2 x cutting lubricant
- 9 1 x AF 10mm nut driver
- 10 1 x 10mm wrench
- 11 1 x Insertion pliers
- 12 1 x File

* Not shown, wire crimping pliers.

Purchases

- It is strongly recommended to purchase a kit or multiple kits for larger projects or projects with several phases.
- Additional drill bits jig assemblies can be purchased at nominal cost to replace worn or ineffective parts. CONSULT FACTORY.

NO TOOL KIT REQUIRED - FOR FLAT SURFACES

- Drill 15mm hole in mounting surface

alphabet

PROJECT INFORMATION		
JOB NAME		TYPE
ORDERING CODE		

REMOTE DRIVE - 0-10V ORDERING CODE

PART NUMBER	P70414	LED driver with box
CURRENT	500	500mA
DIMMING	ECO SOLO	1% 0.1%

ORDERING CODE

Follow the steps to specify your fixture, example:
P70414 - 500 - ECO

See Wiring Diagram on page 2.

MAXIMUM PUCK WIRING DISTANCE (15 PUCKS AT 500MA)

PUCKS	AWG VALUE	DISTANCE ¹ (FT)
15	20	300
15	18	600

MAXIMUM WIRING DISTANCE FROM DRIVER TO THE FIRST PUCK

AWG VALUE	DISTANCE (FT)
18	150
16	250
14	400
12	600
10	1000

NOTES

1. Maximum wiring distance from the first to the last puck.

DESCRIPTION

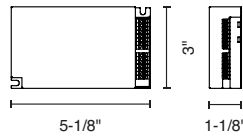
- 0-10V dimmable protocol LED drive with smooth flicker free dimming

TECHNICAL SPECS

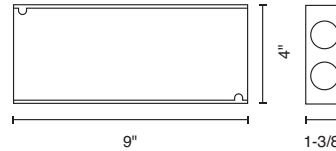
- 120-277Vac, 50/60Hz input
- 50W max output
- 500mA DC constant current output per channel
- 2-55Vdc output per channel
- ECO 1% dimming - 1 channel output
- Solo 0.1% dimming - 2 channel output
- 0-10V compatible
- Operating temperature: -4°F to 122°F
- Class II rated
- Suitable for use in damp and dry locations
- Short circuit protection
- Overload protection
- Over-voltage protection
- Thermal protection
- Box: Length = 9", Width = 4", Height = 1-3/8"
- Driver: Length = 5-1/8", Width = 3", Height = 1-1/8"

LISTINGS

- ETLus Listed to UL2108 (suitable for dry and damp locations)
- cETL Listed to CSA C22.2 #250.0



ECO or SOLO 561/S



Box

REMOTE DRIVE - DALI ORDERING CODE

PART NUMBER	P70469	LED driver with box
CURRENT	500	500mA
DIMMING	ECO SOLO	1% 0.1%

ORDERING CODE

Follow the steps to specify your fixture, example:
P70469 - 500 - ECO

See Wiring Diagram on page 2.

MAXIMUM PUCK WIRING DISTANCE (15 PUCKS AT 500MA)

PUCKS	AWG VALUE	DISTANCE ¹ (FT)
15	20	300
15	18	600

MAXIMUM WIRING DISTANCE FROM DRIVER TO THE FIRST PUCK

AWG VALUE	DISTANCE (FT)
18	150
16	250
14	400
12	600
10	1000

NOTES

1. Maximum wiring distance from the first to the last puck.

DESCRIPTION

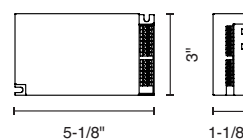
- DALI dimmable protocol LED drive with smooth flicker free dimming

TECHNICAL SPECS

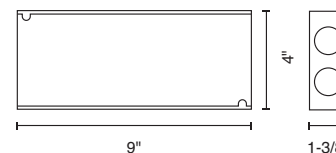
- 120-277Vac, 50/60Hz input
- 50W max output
- 500mA DC constant current output per channel
- 2-55Vdc output per channel
- ECO 1% dimming - 1 channel output
- Solo 0.1% dimming - 2 channel output
- DALI compatible
- Operating temperature: -4°F to 122°F
- Class II rated
- Suitable for use in damp and dry locations
- Short circuit protection
- Overload protection
- Over-voltage protection
- Thermal protection
- Box: Length = 9", Width = 4", Height = 1-3/8"
- Driver: Length = 5-1/8", Width = 3", Height = 1-1/8"

LISTINGS

- ETLus Listed to UL2108 (suitable for dry and damp locations)
- cETL Listed to CSA C22.2 #250.0



ECO or SOLO 561/S

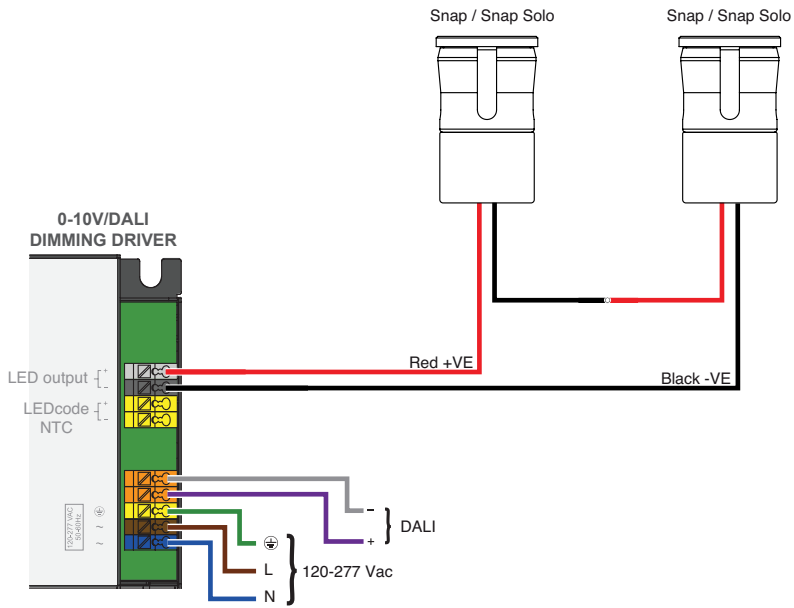


Box

PROJECT INFORMATION			
JOB NAME		TYPE	
ORDERING CODE			

WIRING DIAGRAM

ECO



SOLO

