

SLAT CEILING - LAMBDA



**WARNING – PLEASE READ ALL INSTRUCTIONS PRIOR TO INSTALLATION
 READ AND FOLLOW ALL WARNINGS AND INSTRUCTIONS BEFORE INSTALLING OR MAINTAINING THIS PRODUCT.
 TURN OFF POWER PRIOR TO ANY WORK ON THE SYSTEM OR PRODUCT.
 DO NOT INSTALL DAMAGED PRODUCT.
 AMBIENT TEMPERATURE AT LUMINAIRE LOCATION SHOULD NOT EXCEED 40°C DURING NORMAL OPERATION.**

Installing, wiring, and maintenance must be done by qualified persons or a certified electrician in accordance with all local and National Electrical Codes.

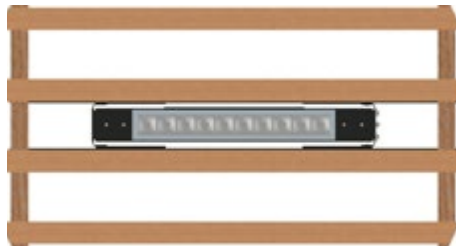
Warranty is voided in case of unauthorized modifications and/or improper use.

Save these instructions. Use as reference when service or maintenance is performed.

Refer to product label for voltage requirements and properly ground fixture in accordance with all local and national electrical codes.

If building and product supports optional dimming, connect dimming leads to dimming control system (provided by others). Refer to product label for dimming requirements. Isolate dimming wires individually if not in use.

Suitable for dry and damp locations only.



⚠ WARNING ⚠

- To avoid possible electrical shock, before installing light fixtures, disconnect power by turning off the circuit breakers both to the outlet box and to its associated wall switch location. If you cannot lock the circuit breakers in the off position, securely fasten a prominent warning device, such as a tag, to the service panel.
- Verify that supply voltage is correct by comparing it with the luminaire label information.
- Make all electrical and ground connections in the accordance with the National Electrical Code (NEC) and any applicable local code requirements.
- Wait for fixture and driver to cool before servicing and performing maintenance.

⚠ CAUTION ⚠

- All wiring must comply with national and local electrical codes and ANSI/NFPA 70. If you are unfamiliar with wiring, consult a qualified electrician.
- PPE Personal Protective Equipment such as gloves and safety glasses should always be used when installing, maintaining or servicing.
- Risk of fire. Keep combustible material away from fixtures.

⚠ ADVERTENCIA ⚠

- Para evitar un choque eléctrico, antes de instalar luminarias, desconecte la alimentación apagando los interruptores de circuito en el panel de servicio y en las paredes. Si no es posible bloquear los interruptores en la posición de apagado, sujete una etiqueta de seguridad en el panel de servicio.
- Compruebe que la tensión de alimentación es correcta comparándola con la información en la etiqueta de la luminaria.
- Haga todas las conexiones eléctricas y puesta a tierra de acuerdo con el código eléctrico nacional (NEC) y los requisitos del código local aplicable.
- Espere hasta que la luminaria y el controlador se enfríen antes de empezar el servicio y mantenimiento.

⚠ PRECAUCION ⚠

- Todo el cableado debe cumplir con los códigos eléctricos nacionales y locales y ANSI/NFPA 70. Si no está familiarizado con el cableado, consulte a un electricista.
- Al instalar, mantener o reparar, siempre se debe utilizar equipo de protección personal como guantes y lentes de seguridad
- Riesgo de incendio. Mantenga los materiales combustibles lejos de las luminarias.

⚠ AVERTISSEMENT ⚠

- Pour éviter les chocs, avant d'installer des appareils d'éclairage, coupez l'alimentation en désactivant les disjoncteurs et l'emplacement du commutateur mural. Si vous ne pouvez pas verrouiller les disjoncteurs en position d'arrêt, fixer un avertissement sur le panneau de service.
- Vérifiez que la tension d'alimentation est correcte en le comparant avec les informations d'étiquette de luminaire.
- Effectuer tous les raccordements électriques et mise à la terre dans la conformité avec le Code électrique National (NEC) et des exigences du code local applicable.
- Laisser suffisamment de temps pour l'appareil et pilote refroidir avant d'effectuer l'entretien et la maintenance.

⚠ MIS EN GARDE ⚠

- Tout le câblage doit être effectué conformément aux codes électriques locaux et nationaux et ANSI/NFPA 70. Si vous êtes peu familier avec câblage, vous devez utiliser un électricien qualifié.
- Équipement de protection personnelle comme des gants et des lunettes de sécurité doivent être utilisé en tout temps lors de l'installation, maintenance ou entretien.
- Risque d'incendie. Garder les matières combustibles loin de luminaires.

CONTENTS

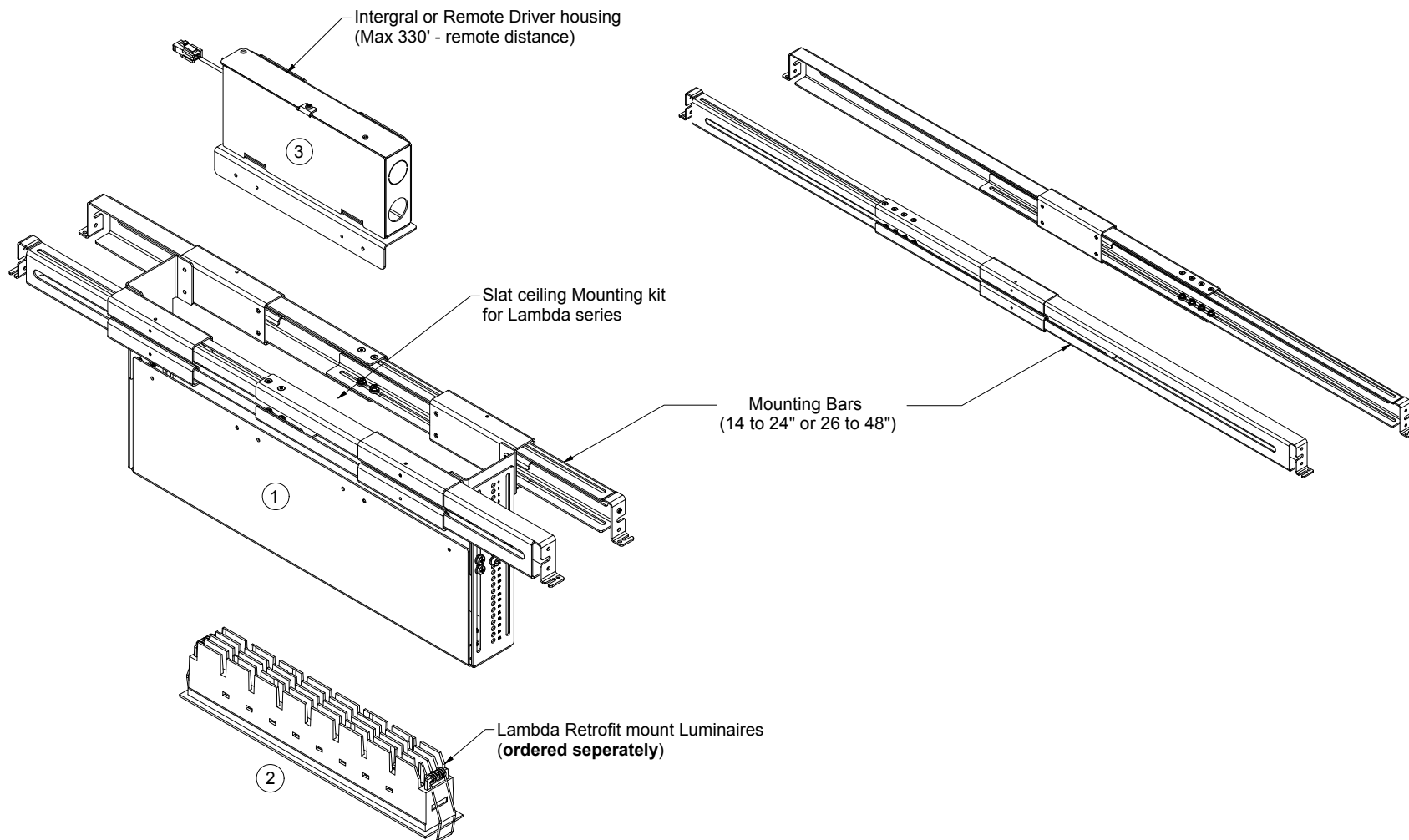
Components Of The Fixture.....	2
Functionality Of The Fixture	3
Installation Of Integral Driver Version	4
Installation Of Remote Driver Version	5
Installation Of The Fixture On Slats	6 - 8
Final (SF) Single Fixture Set Up Example.....	9
Installation Of Continuous Run (2) Fixture Setup	10
Final (CF) Continuous Run (2) Fixture Setup Example	11

INSTRUCTIONS FOR USE

De-energize circuit before installation.

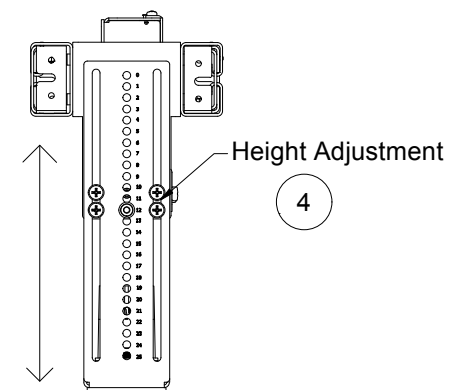
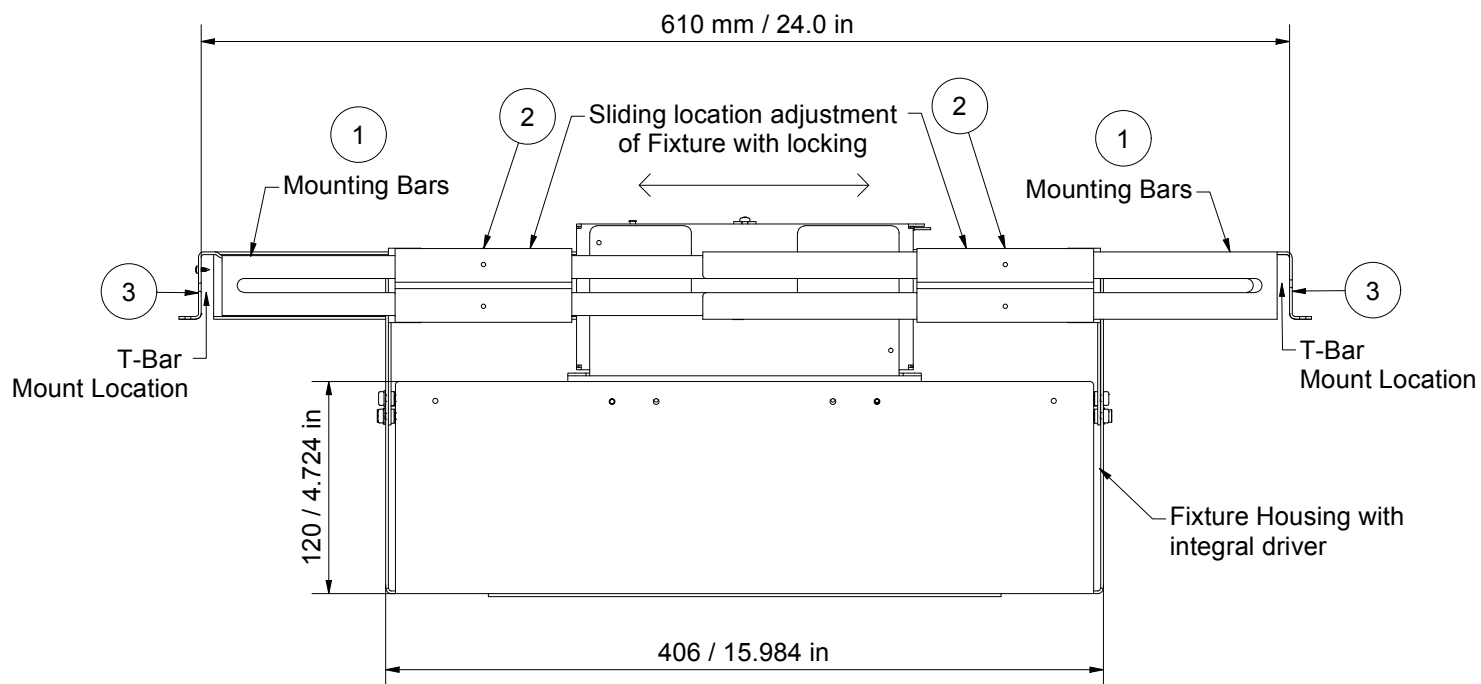
COMPONENTS OF THE FIXTURE

1. Slat ceiling mounting kit for Lambda series which is fully assembled and shipped.
2. Lambda retrofit mount luminaires which is ordered separately.
3. Integral or remote driver kit which is ordered separately.

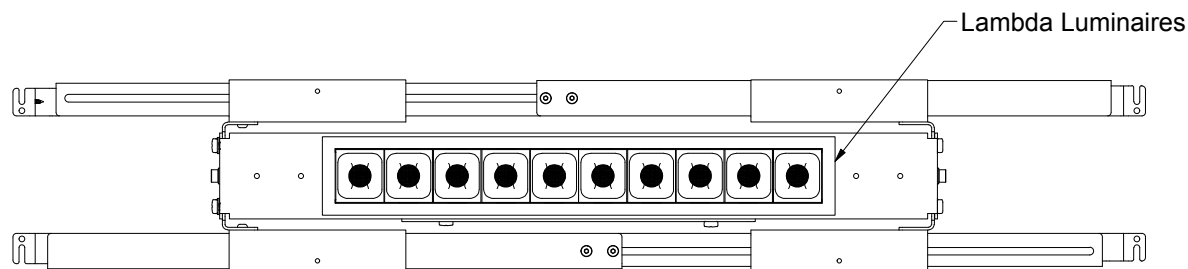


FUNCTIONALITY OF THE FIXTURE

1. Mounting bars can be adjusted by sliding and is extendable from 14" to 24" (OR) 26" to 48".
2. Fixture location between slats can be adjusted vertically by sliding, with the exact position determined by the contractor. Once positioned, it should be secured with set screws.
3. T-bar mount location allows for horizontal placement between slats and is determined by the contractor. Once positioned, it should be secured with self-tapping screws.
4. Height can be adjusted in increments of 1/8" as needed and locked in place once the fixture is flush with the bottom of the slat ceiling. Each side features four guiding Phillips head screws and one hex head locking screw. Marking indicators are provided to help determine the locking position.

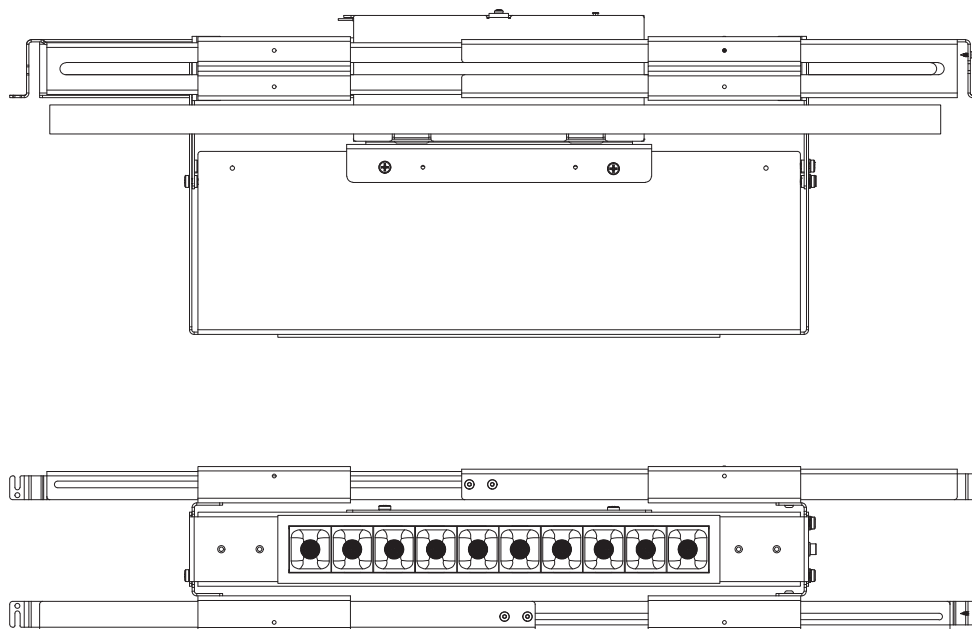
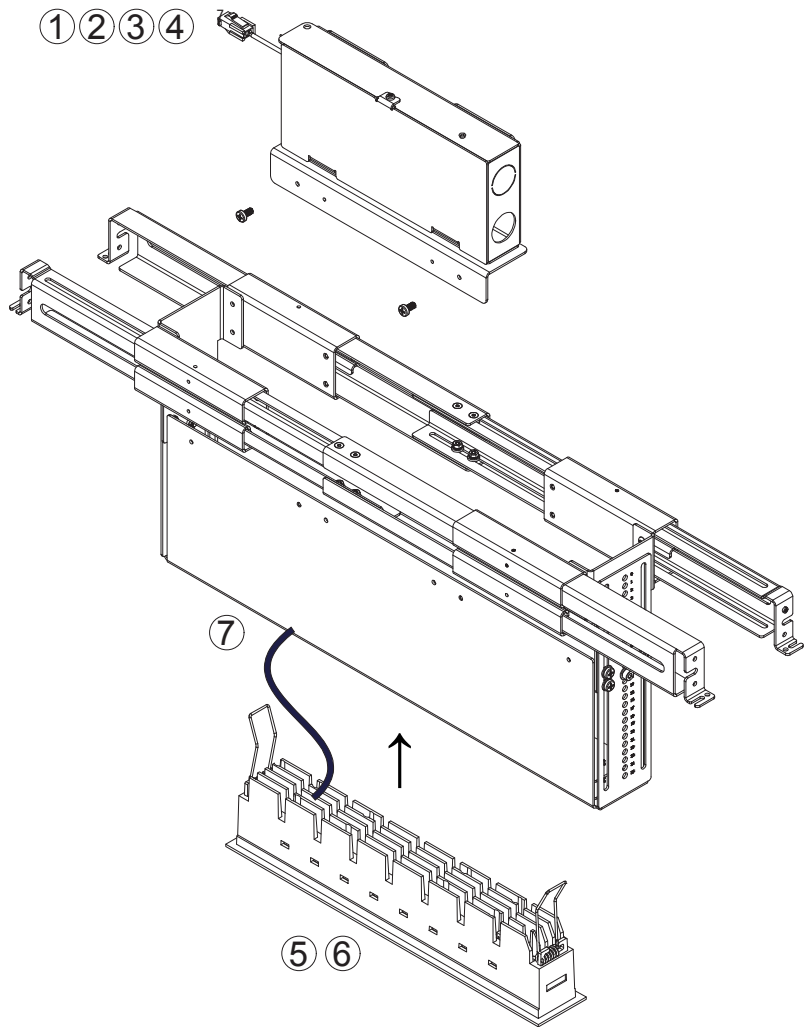


Accommodates slat height from 2.00" to 8.00"



INSTALLATION OF INTEGRAL DRIVER VERSION

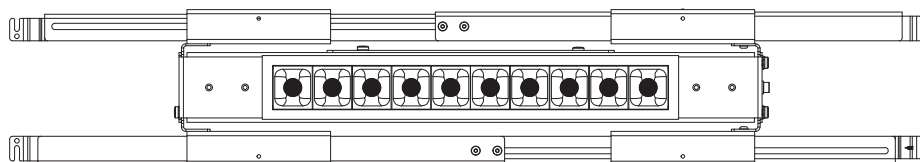
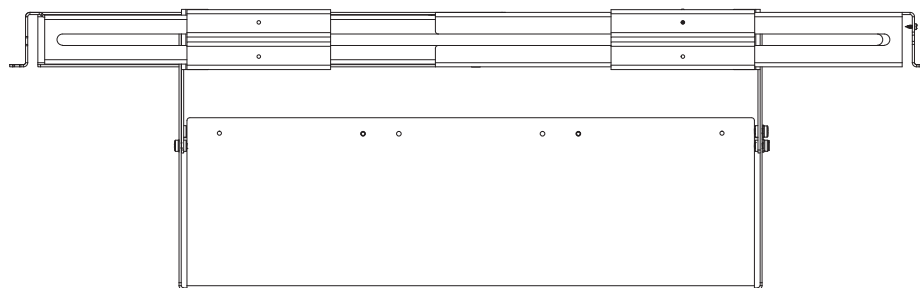
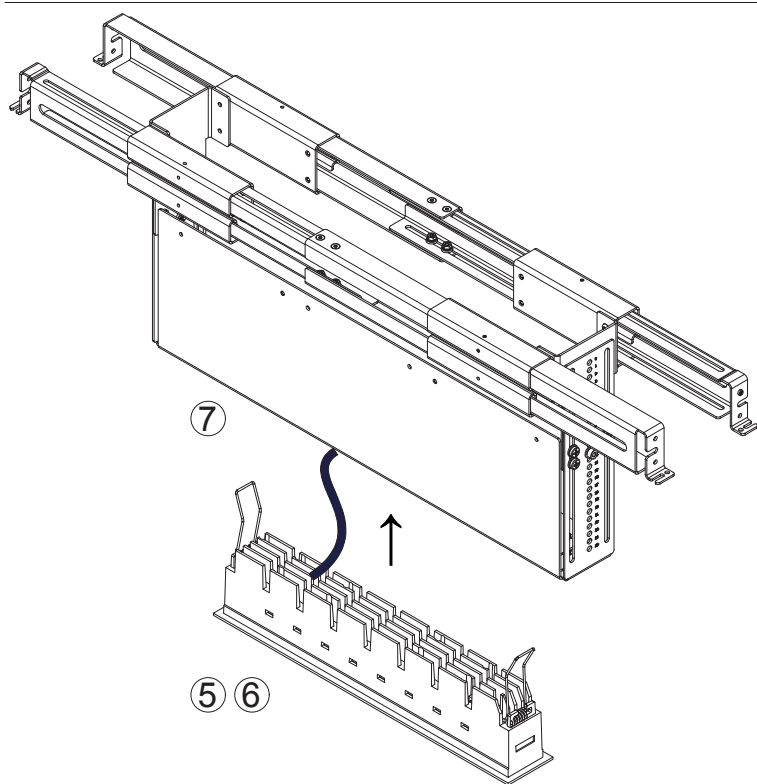
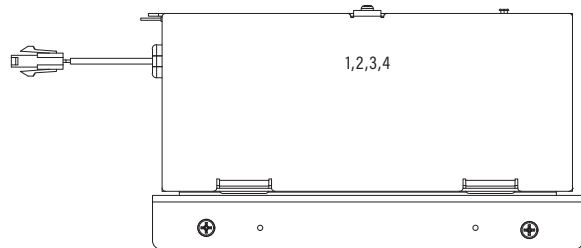
1. Install power and dimming feeds through knockouts in the driver box compartment.
2. Remove cover by loosening the phillips screw to access driver wires.
3. Make necessary connections inside and then re-install the driver box cover.
4. All connections should be in accordance with the National Electrical Code and any local regulations position.
5. Raise the spring clips on both sides of the Lambda luminaire as shown, and push it into the housing kit. Release the clips once inside, and the luminaire trim will sit flush with the housing.
6. Ensure the electrical harness are not interfering with any of the components inside the housing.
7. **DO NOT** attach or connect the LED luminaire connector to the driver harness yet.



INSTALLATION OF REMOTE DRIVER VERSION

1. Each remote power supply comes in a driver enclosure with a mounting tab. It can be installed at appropriate location and secured with screws (provided by others).
2. Install power and dimming feeds through knockouts in the driver box compartment. Remove cover by loosening the phillips screw to access driver wires. Make necessary connections inside and then re-install the driver box cover.
3. Pull low voltage secondary wiring to the fixture harness. **DO NOT CONNECT** line voltage to the fixture harness.
4. All connections should be in accordance with the National Electrical Code and any local regulations position.
5. Raise the spring clips on both sides of the Lambda luminaire as shown, and push it into the housing kit. Release the clips once inside, and the luminaire trim will sit flush with the housing.
6. Ensure the electrical harness are not interfering with any of the components inside.
7. **DO NOT** attach or connect the LED luminaire connector to the driver harness yet.

① ② ③ ④

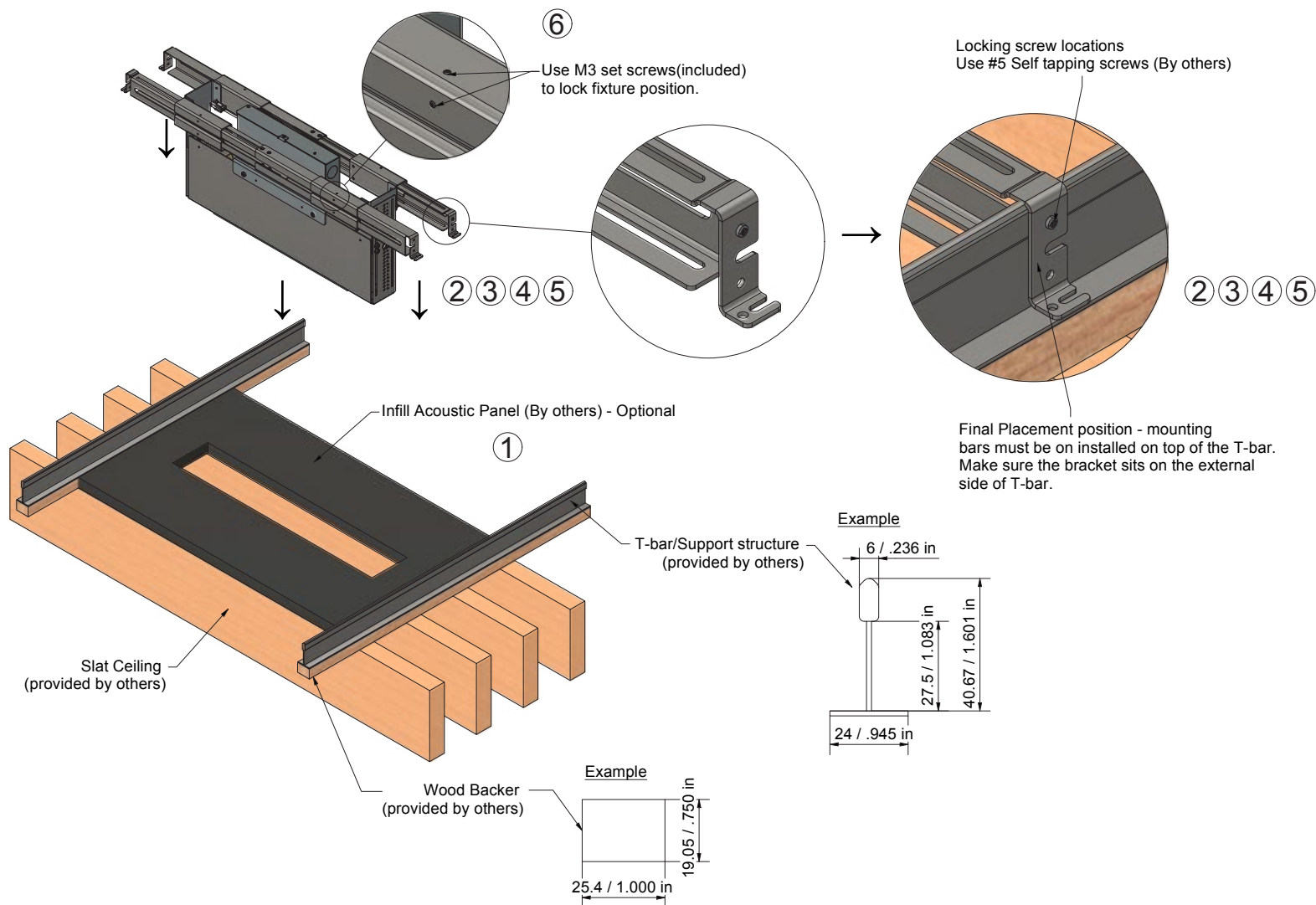


INSTRUCTIONS FOR USE

De-energize circuit before installation.

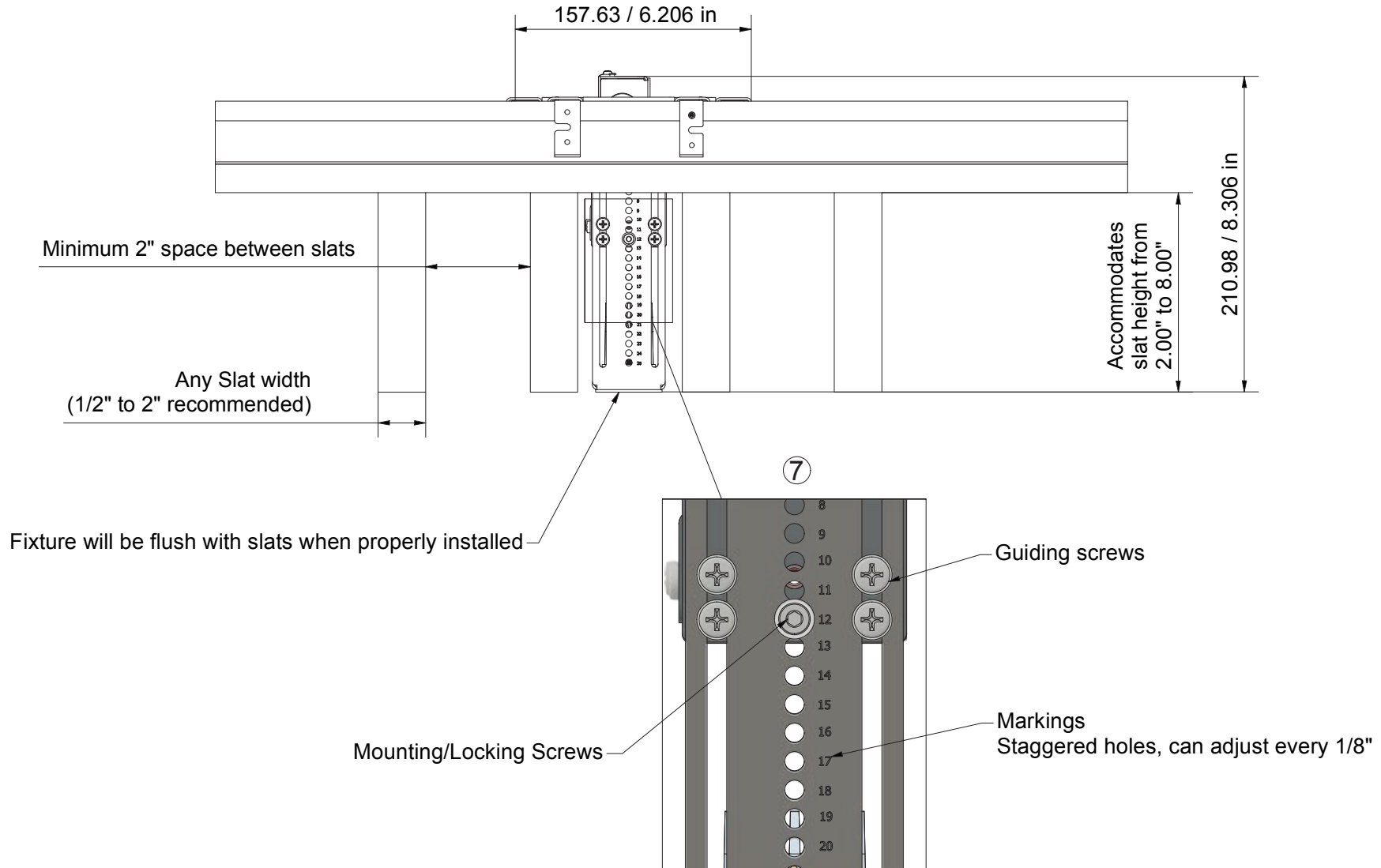
INSTALLATION OF THE FIXTURE ON SLATS

1. Working above the ceiling, install an infill acoustic panel or a similar material (provided by others) if desired. Use the product Lambda template to cut out the opening, but only after determining the placement of the luminaire fixture between the slats.
2. Determine fixture location between slat ceiling and place the mounting bars on the T-bar.
3. Ensure the Luminaire kit fits unobstructed within the ceiling structure.
4. T-bar mount location allows for horizontal placement between slats, with the exact position determined by the contractor. It is recommended to position it roughly centered between any two slats.
5. Secure the mounting bars on all sides by #5 self tapping screws (provided by others)
6. Determine the fixture location within the slat ceiling. The fixture position between slats can be adjusted vertically by sliding the luminaire housing, with the final location determined by the contractor. Secure it using M3 set screws, either from the top or side, as shown in the image.



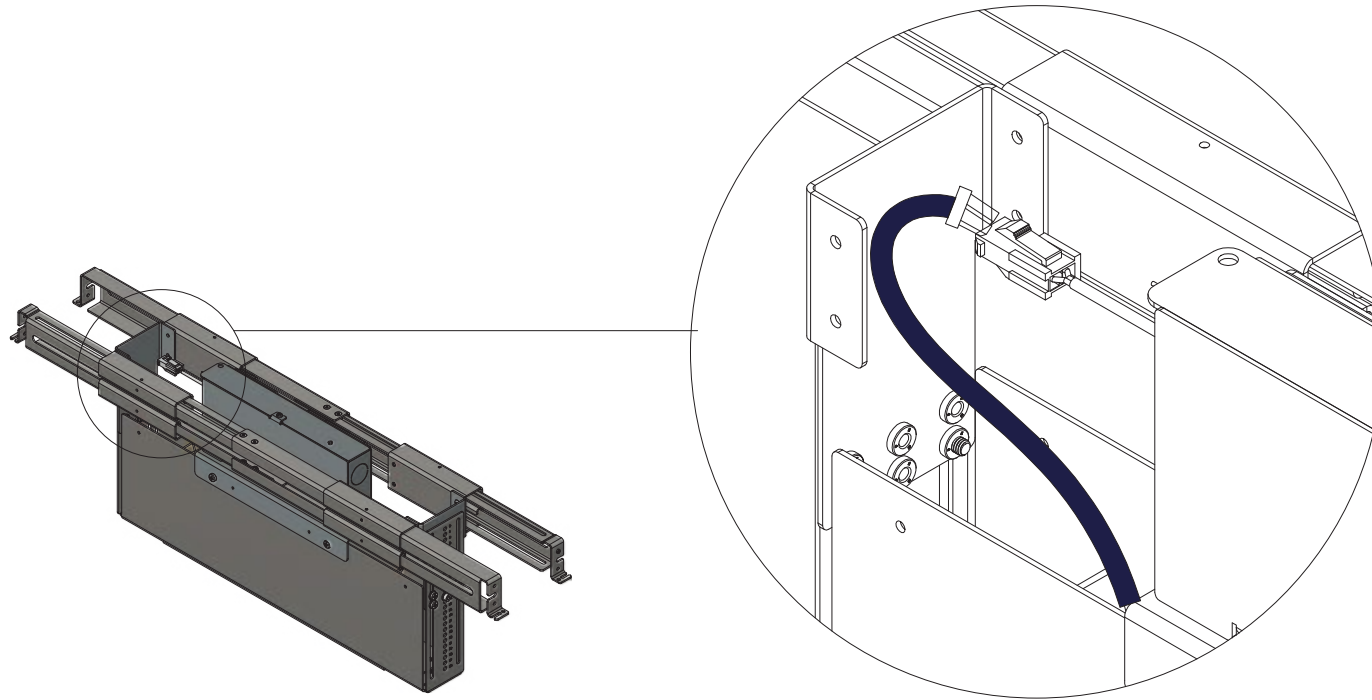
INSTALLATION OF THE FIXTURE ON SLATS (continued)

- The height can be adjusted in 1/8" increments as needed and locked in place once the fixture is flush with the bottom of the slat ceiling. Each side has four guiding Phillips head screws and one hex head locking screw. Use only the black M4 hex screw to lock the position and unscrew it for adjustments. This can be accessed from below the ceiling. A long ball-end screwdriver is provided to reach the hex head screw if required. Marking indicators help determine the locking position.



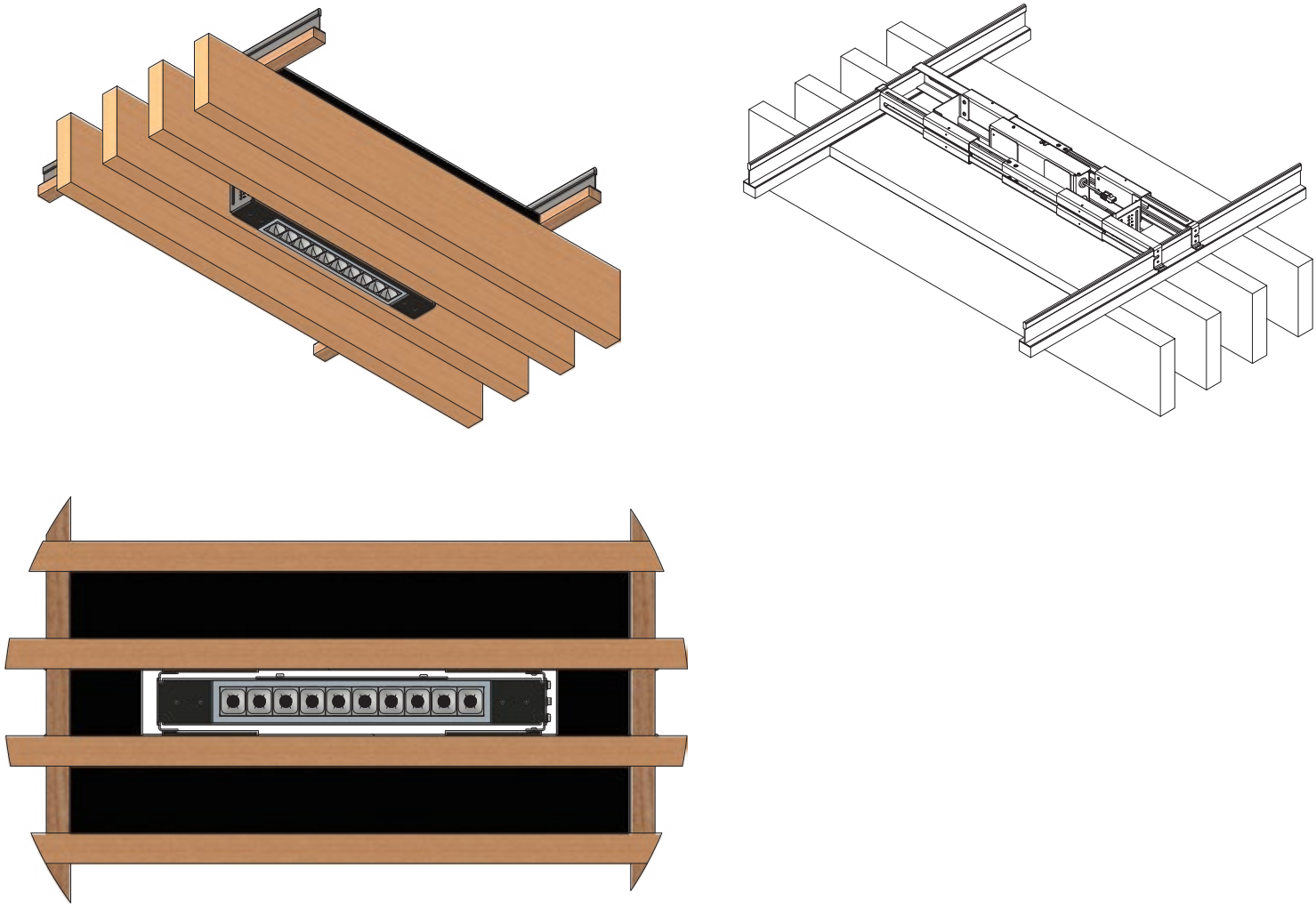
INSTALLATION OF THE FIXTURE ON SLATS (continued)

- While working above the ceiling, attach the LED connector to the driver harness. Ensure all connections comply with the National Electrical Code and local regulations.



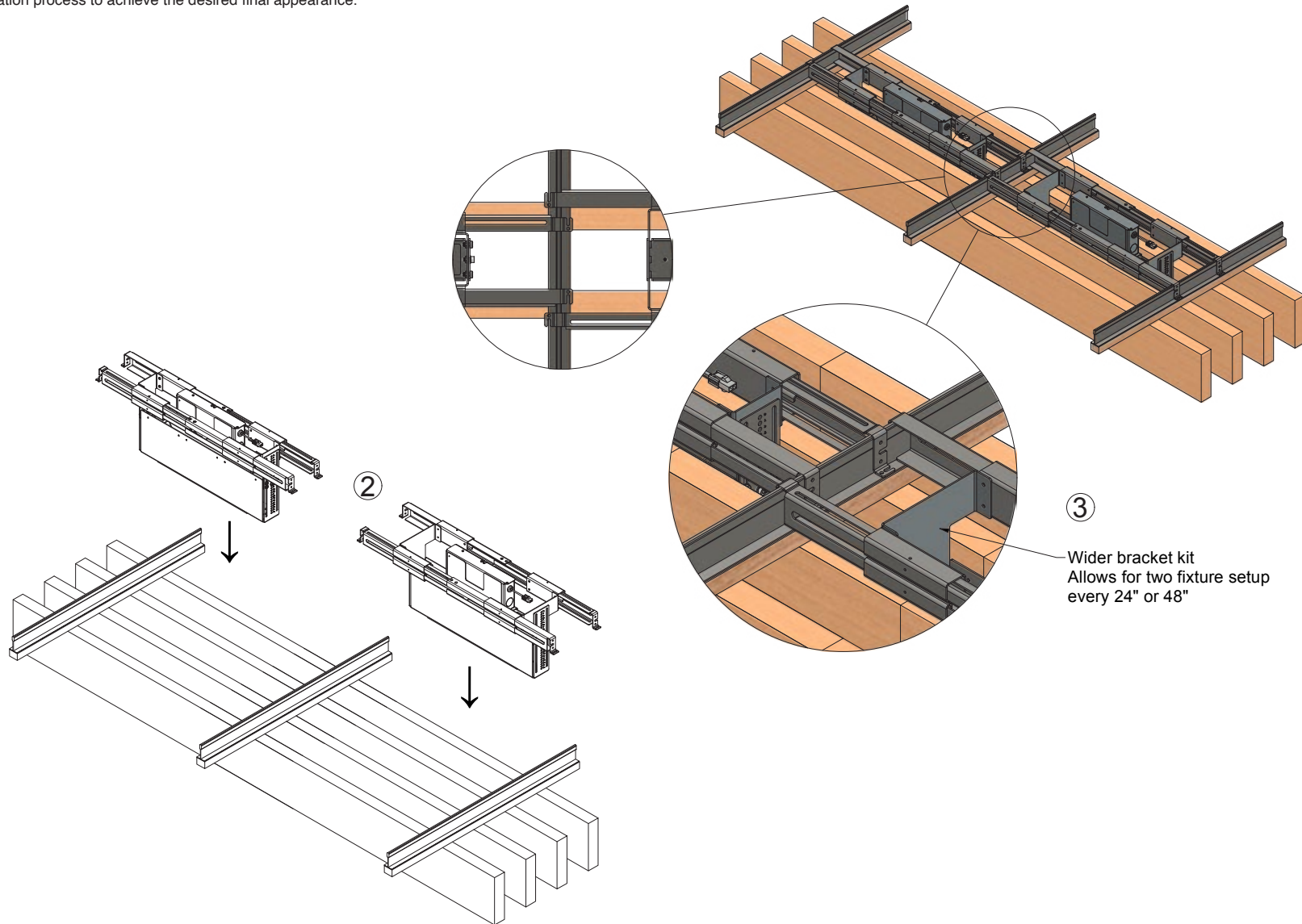
FINAL (SF) SINGLE FIXTURE SET UP EXAMPLE

Shown single D10 type fixture setup with 24" Mounting bar set



INSTALLATION OF CONTINUOUS RUN (2) FIXTURE SETUP

1. Continuous run setup.
2. This setup allows for two luminaire sets to be placed next to each other every 24" or 48".
3. The second luminaire set features a wider bracket kit, enabling alignment with the first luminaire.
4. Repeat the installation process to achieve the desired final appearance.



③
Wider bracket kit
Allows for two fixture setup
every 24" or 48"

FINAL (CF) CONTINUOUS RUN (2) FIXTURE SETUP EXAMPLE

Shown Continuous run setup with two D10 type fixture with 24" Mounting bar set)

