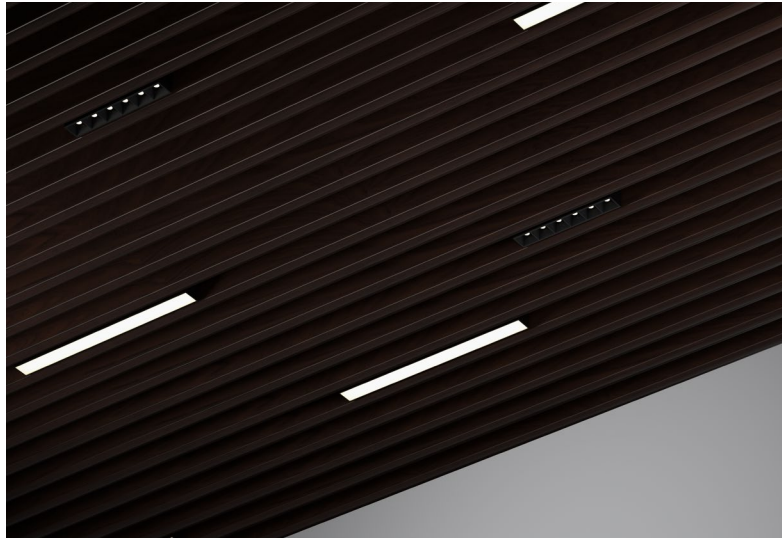


SLAT CEILING - ZETA

Profile Linear System General Light



FEATURES

- ZETA -PLS Slat Accent Light Series accommodates a wide range of vertical configurations at varying height and widths
- Discreate 1-7/8" profile designed for even illumination and low glare
- Power supply and lighting control fully integrated
- 1036 lumens per foot (direct)
- 950 watts per power feed (52' with max output)
- Lambertian beam
- UGR <22
- Multiple finish options available

CONSTRUCTION

- Mounting bar hangers available in 24" and 48" configuration
- Integral driver
- Accommodates slat heights from 4" to 8"
- 1/8" height adjustment
- Accommodates any slat thickness
- Extruded aluminum housing
- PMMA lens

ELECTRICAL/CONTROLS

- 120V-277V
- Power factory ≥ 0.9
- 2kV driver input surge protection
- Remote and Integral (ITS) emergency test switch
- 10W EM 90min battery

LISTING

- ULus Listed to UL1598 & UL2108; cUL Listed to CSA C22.2 #250.0
- Suitable for dry locations only
- 5-year limited warranty

LED INFO

- General Light & Uplight Pendant: SAMSUNG SMD LM218B+: 90 CRI: SDCM: 3-Step MacAdam Ellipse, Lumen Maintenance: L₇₀ 50,000 hrs

PROJECT INFORMATION		
JOB NAME		TYPE
ORDERING CODE		

ORDERING CODE

SERIES	ZETA-PLS	profile linear system
TYPE	GL	general light insert
SIZE	2	2'
	4	4'
	8	8'
	CR-X	custom run - X (select length in feet)
LED	SW	standard white
DIRECT/INDIRECT	D04	direct output, 436 lm per foot, 5 watts
	D06	direct output, 617 lm per foot, 7 watts
	D08	direct output, 845 lm per foot, 10 watts
	D10	direct output, 1036 lm per foot, 13 watts
CCT & LM MULTIPLIER	30K	3000K (1.00)
	35K	3500K (1.08)
CRI	90	90 CRI
VOLTAGE & DIMMING	UNV-DIM10	120V-277V integrated driver, flicker free 0-10V dimming to 1%
	UNV-CAS	120V-277V integrated driver and Bluetooth Casambi control, dimming to 1%
FINISH	BK	black
	WH	white
ELECTRICAL OPTIONS	EM10-RTS-R	emergency battery backup, 90 min. at 10 watts. remote test switch, right illumination
	EM10-RTS-M	emergency battery backup, 90 min. at 10 watts. remote test switch, middle illumination
	EM10-RTS-L	emergency battery backup, 90 min. at 10 watts. remote test switch, left illumination
	EM10-ITS-R	emergency battery backup, 90 min. at 10 watts. integrated test switch, right illumination
	EM10-ITS-M	emergency battery backup, 90 min. at 10 watts. integrated test switch, middle illumination
	EM10-ITS-L	emergency battery backup, 90 min. at 10 watts. integrated test switch, left illumination
	RINV-R	remote inverter circuit, right illumination. (inverter by others)
	RINV-M	remote inverter circuit, middle illumination. (inverter by others)
	RINV-L	remote inverter circuit, left illumination. (inverter by others)
		emergency solution offered in 8 foot increments, for additional run lengths consult factory.
MOUNTING OPTIONS	SLAT-1	mounting hardware kit for 4" to 8" slat height
MOUNTING SIZE	24MB	mounting bars 24" set (extendable from 14" to 24")
	48MB	mounting bars 48" set (extendable from 26" to 48")

ORDERING CODE

Follow the steps to specify your fixture, example:

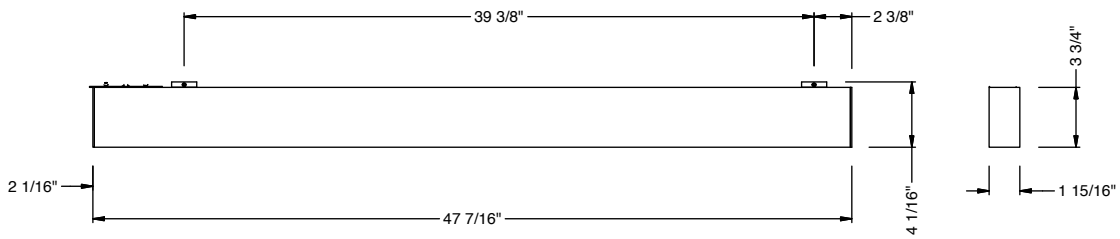
ZETA - PLS - GL - 4 - SW - D10 - 30K - 90 - UNV - DIM10 - WH - SLAT-1 - 24MB

alphabet

PROJECT INFORMATION			
JOB NAME		TYPE	
ORDERING CODE			

MOUNTING OPTIONS

GL LENGTH CODE (NOMINAL FEET)	LENGTH (INCHES)	DIRECT WATTAGE (W)	NUMBER OF SEGMENTS
2	23.875	26	1
4	47.5	52	1
6	71.125	78	2
8	94.75	104	1
10	118.375	130	2
12	142	156	2
16	189.25	208	2
24	283.75	312	3
32	378.25	416	3
40	472.75	520	5
48	567.25	624	6
56	661.625	728	7
64	756.125	832	8
72	850.625	936	9

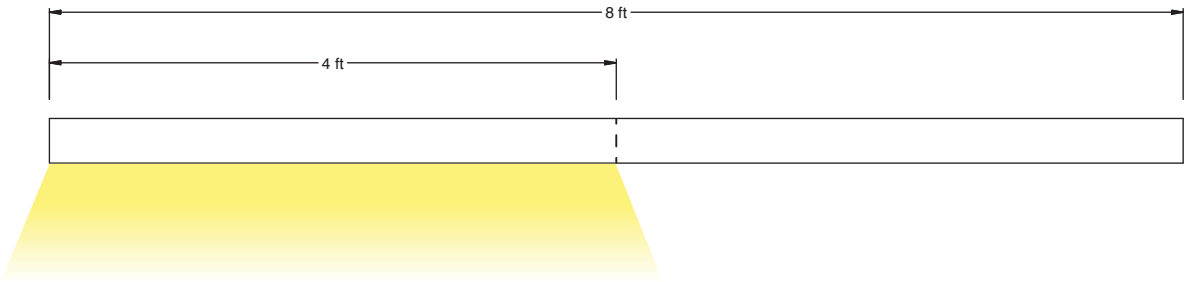


alphabet

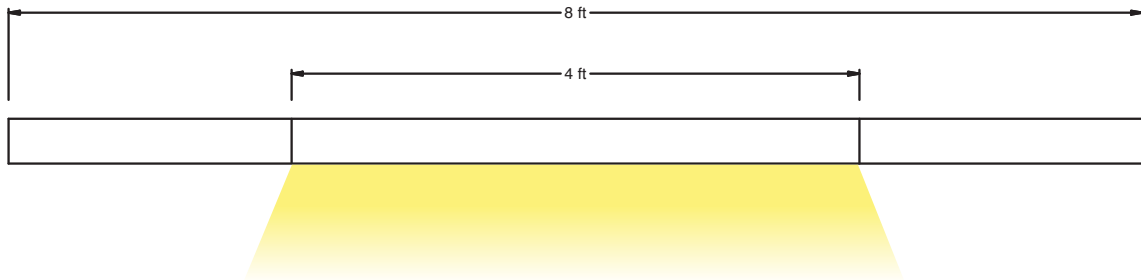
PROJECT INFORMATION		
JOB NAME		TYPE
ORDERING CODE		

EMERGENCY MOUNTING OPTIONS

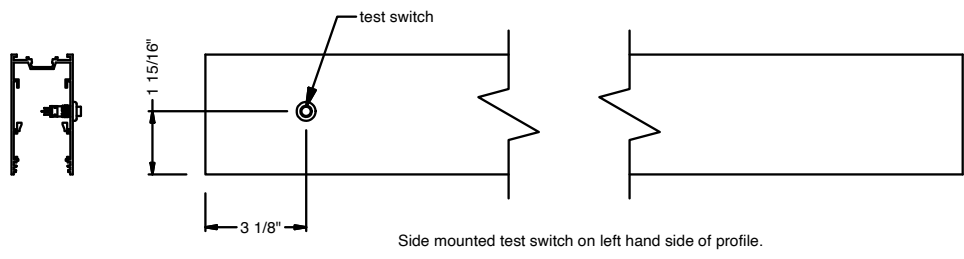
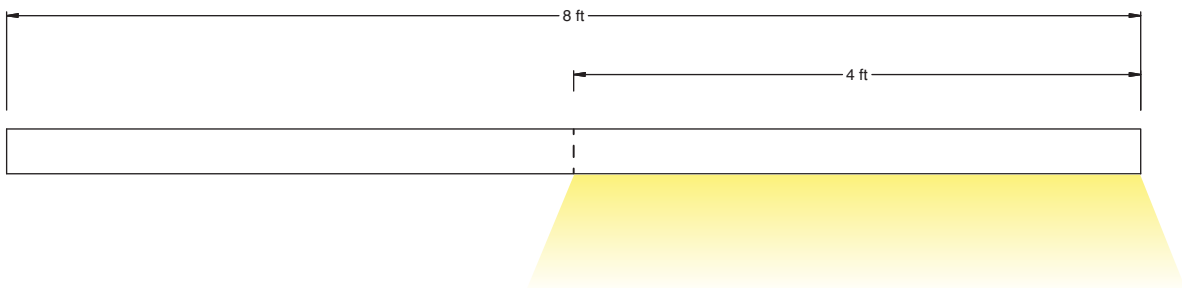
LEFT ILLUMINATION



MIDDLE ILLUMINATION



RIGHT ILLUMINATION

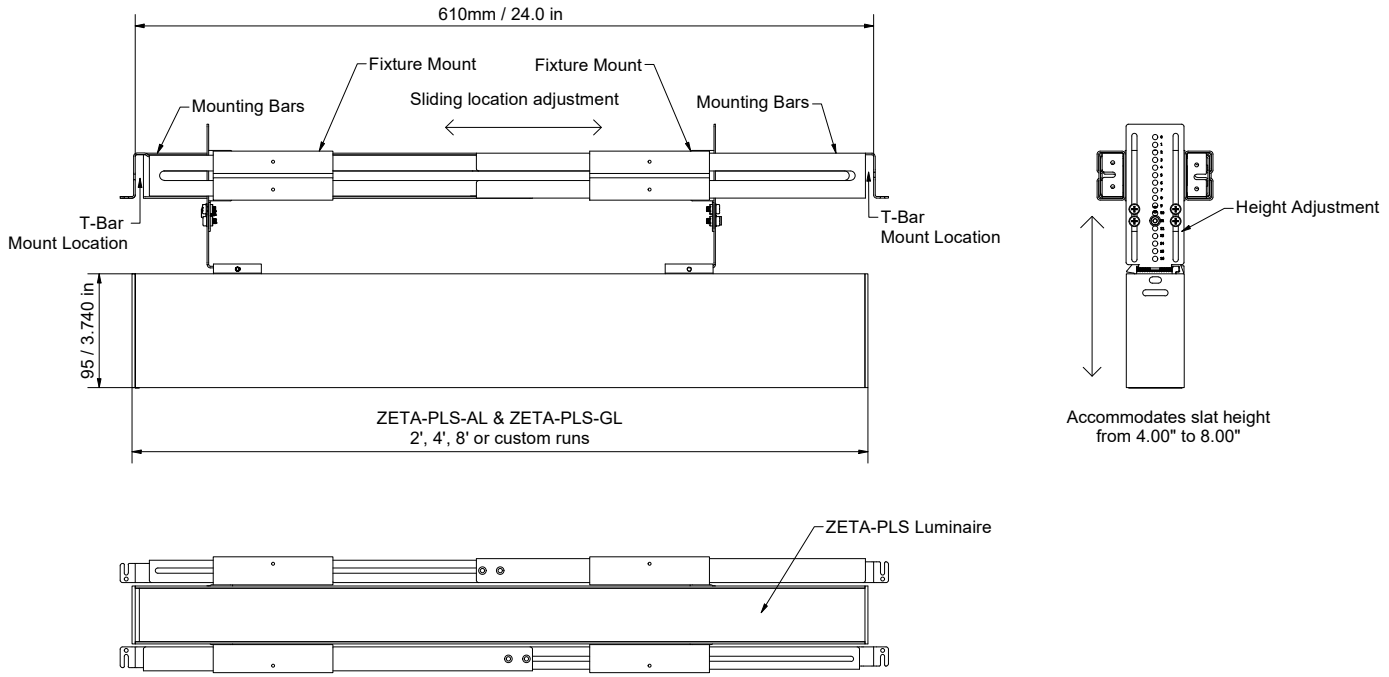


alphabet

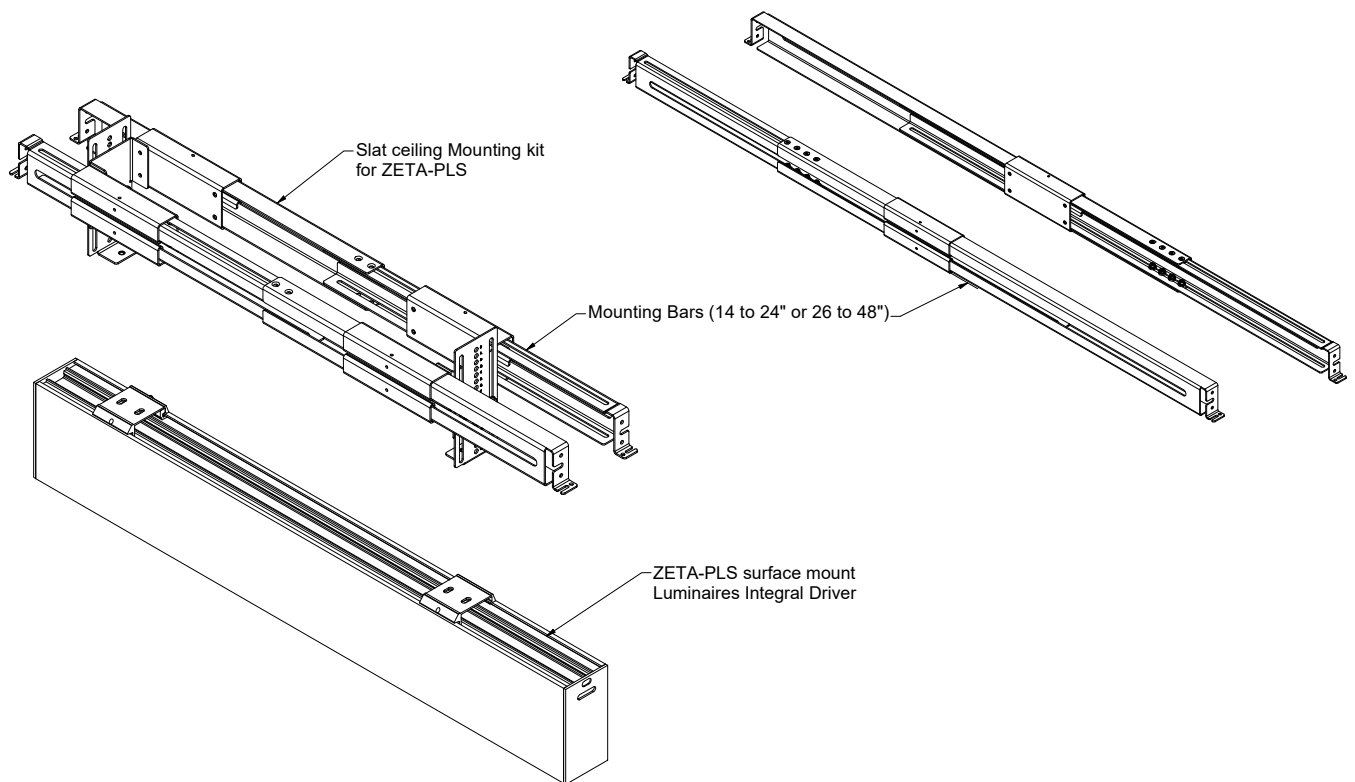
PROJECT INFORMATION		
JOB NAME		TYPE
ORDERING CODE		

MOUNTING OPTIONS

FUNCTIONALITY



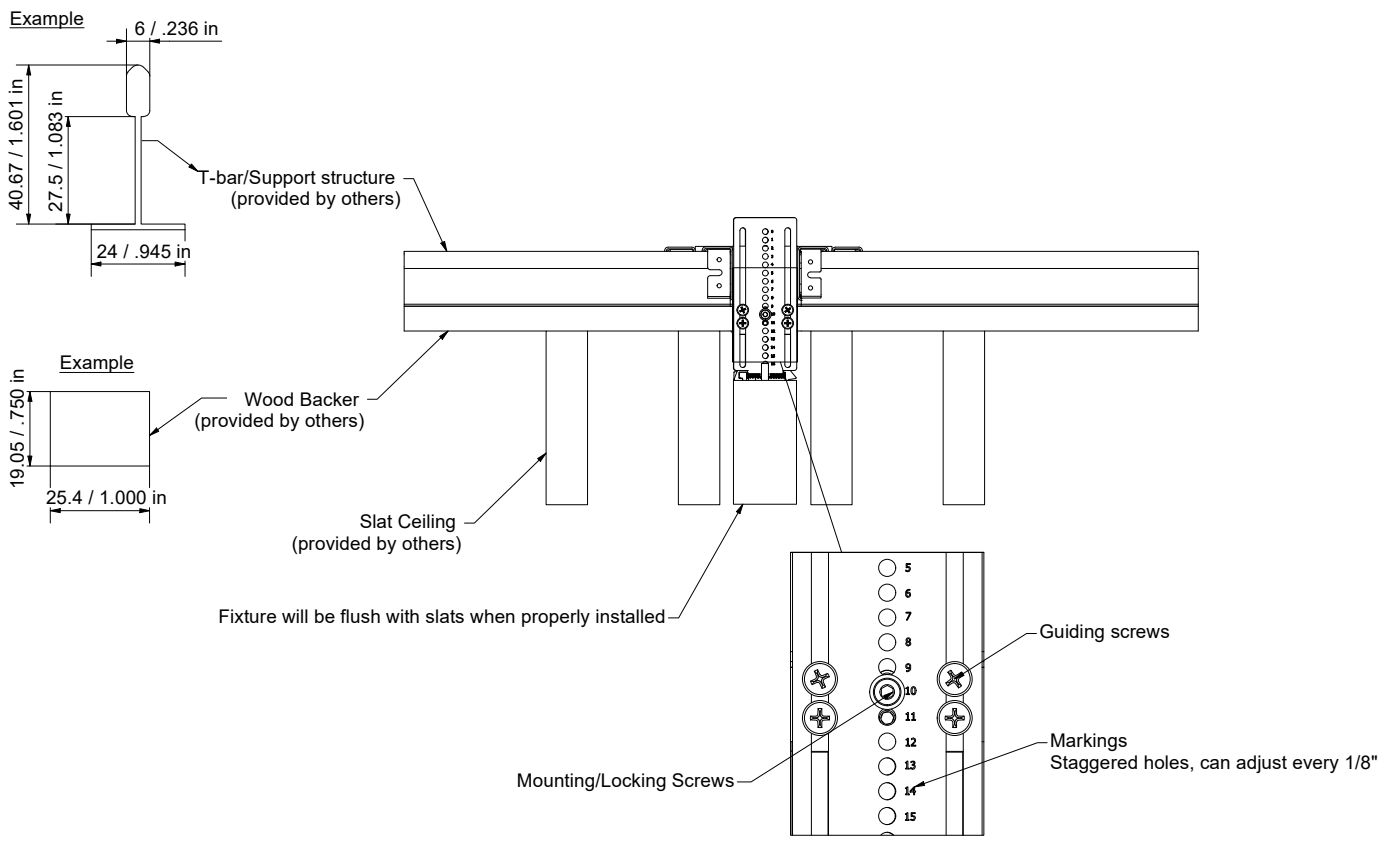
COMPONENTS



PROJECT INFORMATION		
JOB NAME		TYPE
ORDERING CODE		

MOUNTING OPTIONS

CONSTRUCTION & MOUNTING

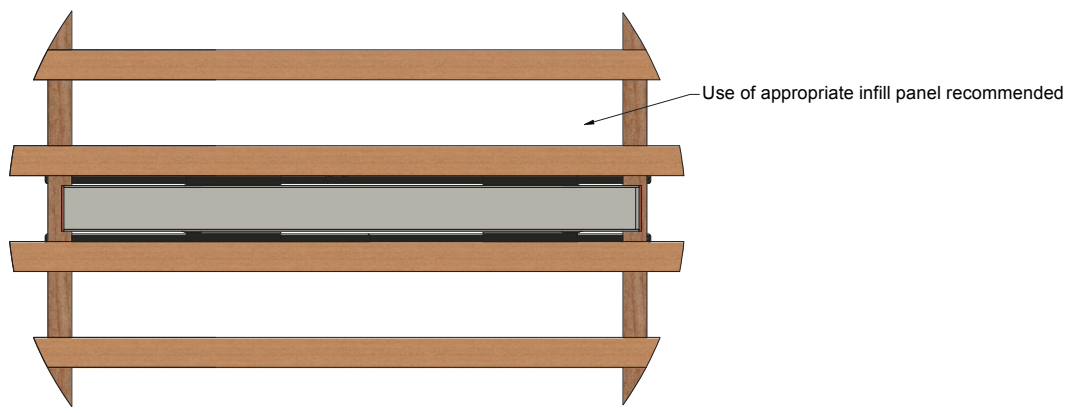
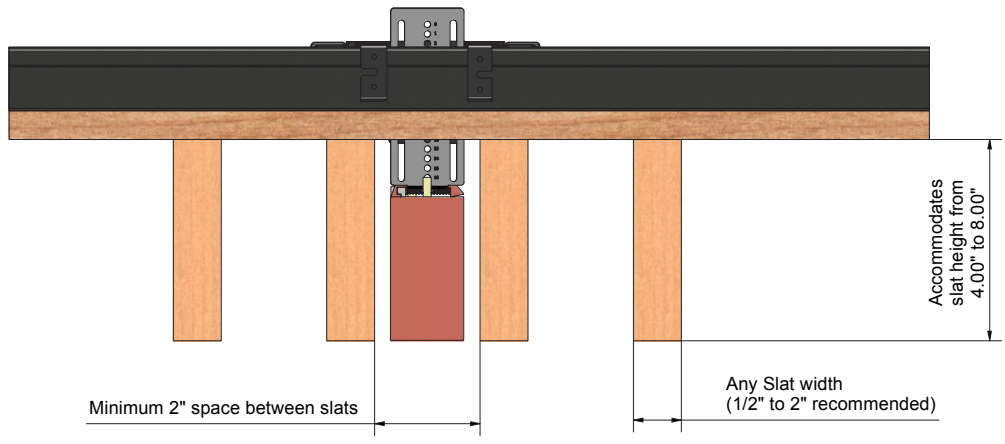


alphabet

PROJECT INFORMATION		
JOB NAME		TYPE
ORDERING CODE		

MOUNTING OPTIONS

SPECIFICATIONS

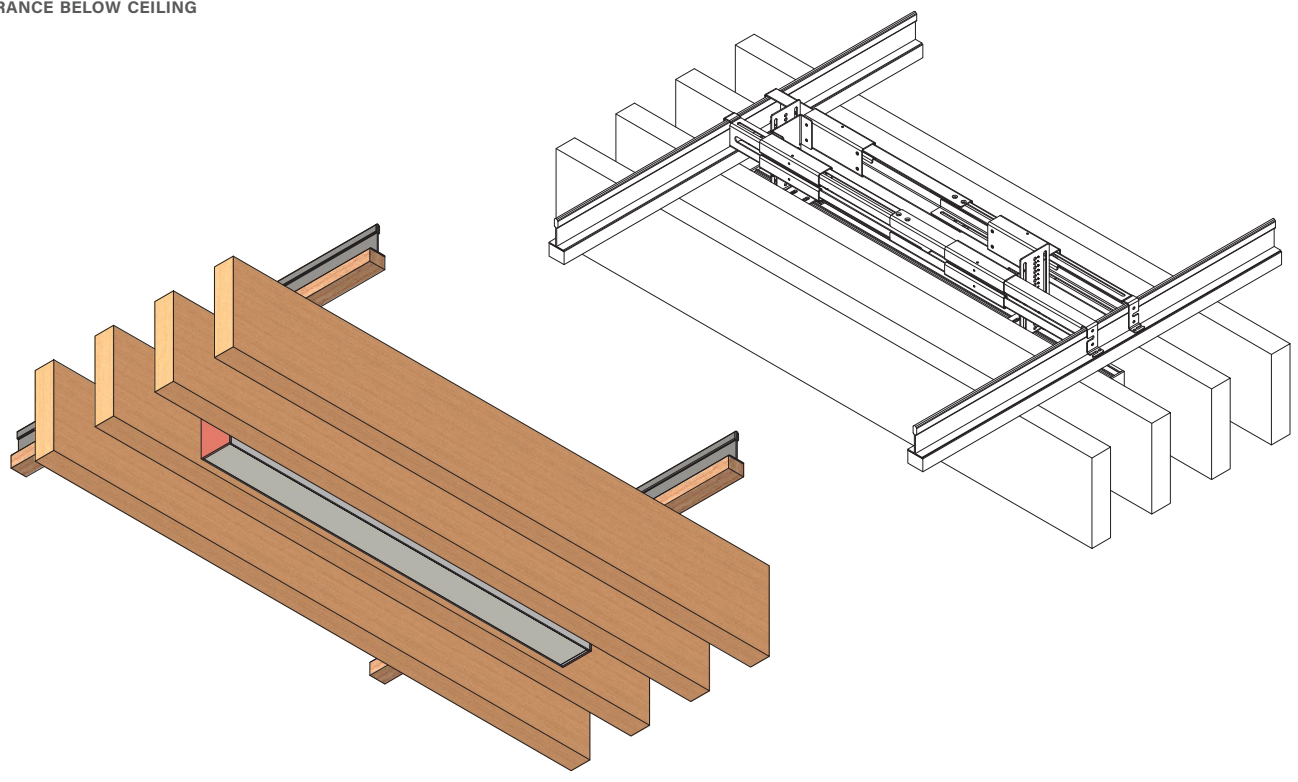


alphabet

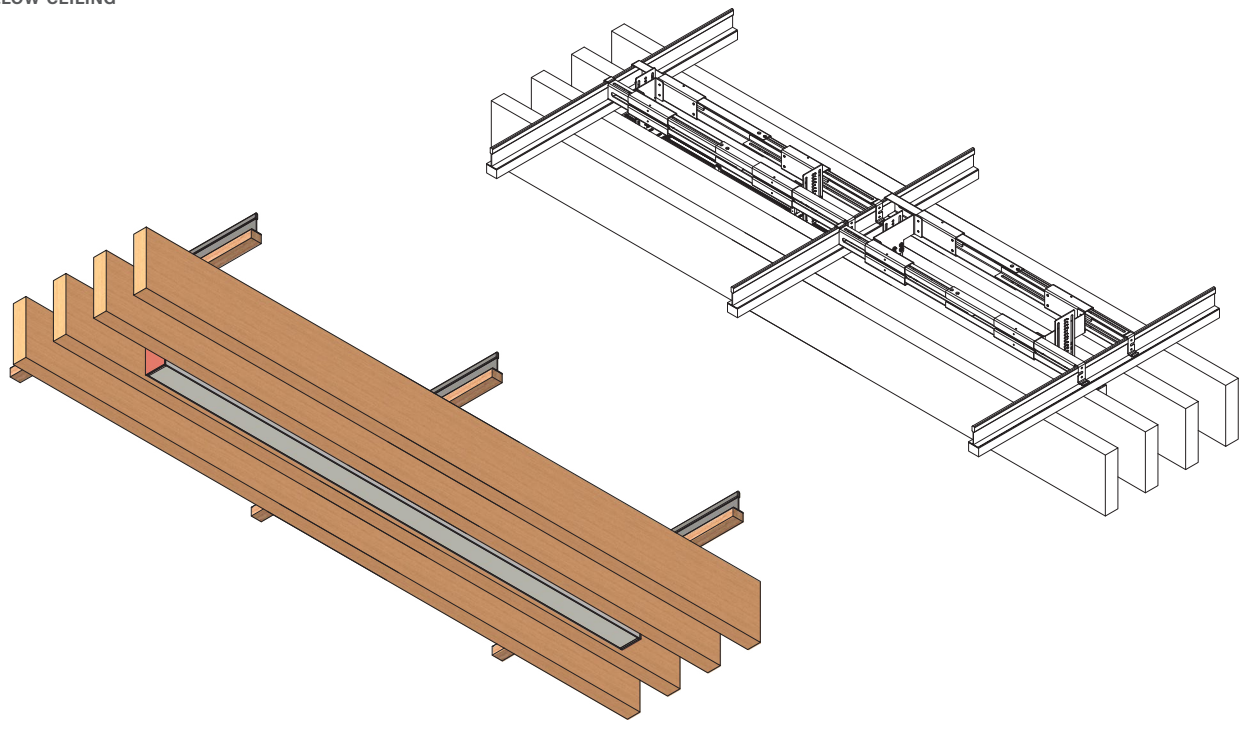
PROJECT INFORMATION		
JOB NAME	TYPE	
ORDERING CODE		

MOUNTING OPTIONS

2 FOOT ZET-PLS FIXTURE SETUP WITH 24" MOUNTING BAR SET APPEARANCE BELOW CEILING

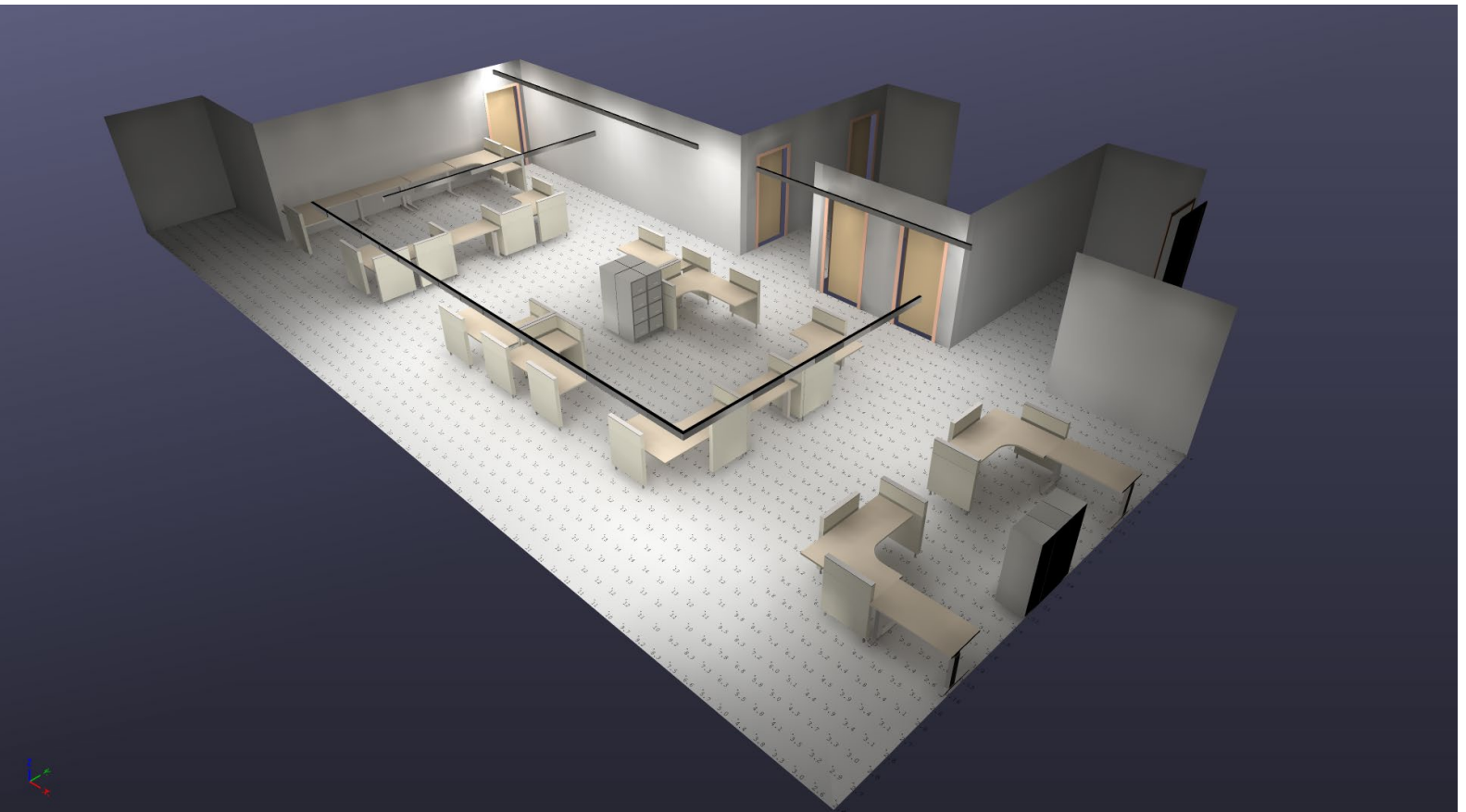
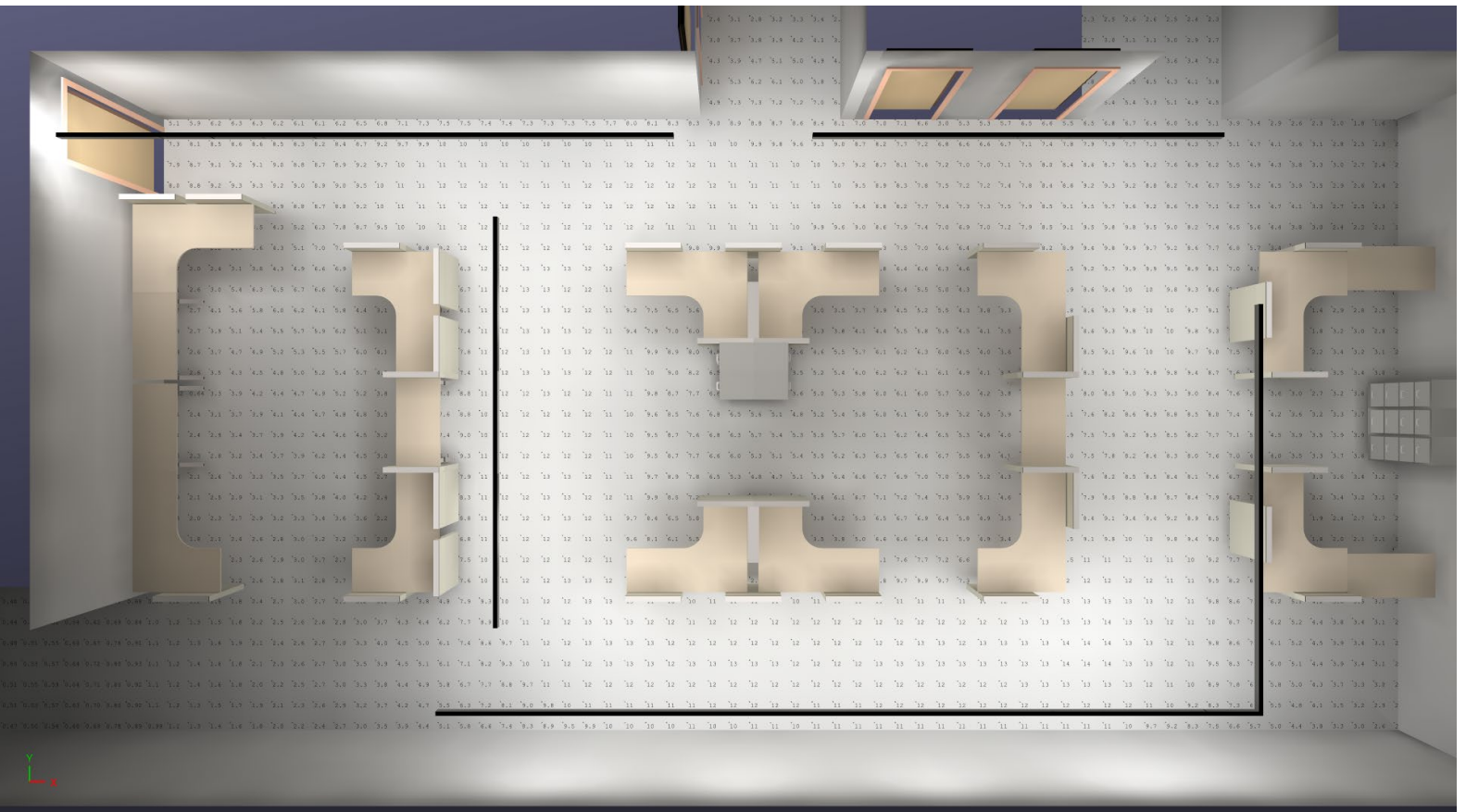


LONGER RUNS ZETA-PLS FIXTURE SETUP WITH 48" MOUNTING BAR SET (SHOWN 8 FOOT FIXTURE EXAMPLE) APPEARANCE BELOW CEILING



PROJECT INFORMATION		
JOB NAME		TYPE
ORDERING CODE		

EMERGENCY DESIGN GUIDE (CONTINUED)



PROJECT INFORMATION		
JOB NAME		TYPE
ORDERING CODE		

EMERGENCY DESIGN GUIDE (CONTINUED)

