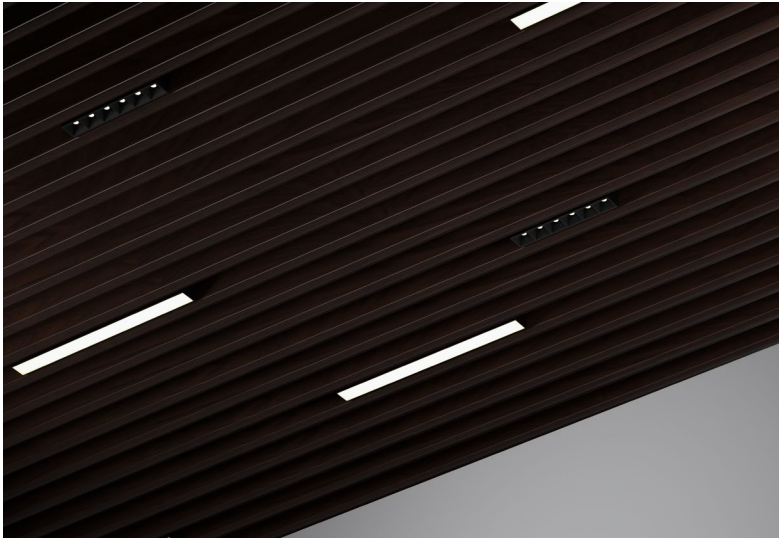


PROJECT INFORMATION		
JOB NAME		TYPE
ORDERING CODE		

## SLAT CEILING - ZETA

### Profile Linear System Accent Light



#### FEATURES

- ZETA -PLS Slat Accent Light Series accommodates a wide range of vertical configurations at varying height and widths
- Discreate 1-7/8" profile designed for even illumination and low glare
- Power supply and lighting control fully integrated
- 970 lumens per foot (direct)
- 950 watts per power feed (52' with max output)
- 15° and 30° direct beam options plus 35° x 15° elliptical
- UGR <10
- Multiple mounting and finish options available

#### CONSTRUCTION

- Mounting bar hangers available in 24" and 48" configuration
- Integral driver
- Accommodates slat heights from 4" to 8"
- 1/8" height adjustment
- Accommodates any slat thickness
- Extruded aluminum housing
- PMMA lens

#### ELECTRICAL/CONTROLS

- 120V-277V
- Power factory ≥ 0.9
- 2kV driver input surge protection
- Remote and Integral (ITS) emergency test switch
- 10W EM 90min battery

#### LISTING

- ULus Listed to UL1598 & UL2108; cUL Listed to CSA C22.2 #250.0
- Suitable for dry locations only
- 5-year limited warranty

#### LED INFO

- General Light & Uplight Pendant:SAMSUNG SMD LM218B+: 90 CRI: SDCM: 3-Step MacAdam Ellipse, Lumen Maintenance: L<sub>70</sub> 50,000 hrs

#### ORDERING CODE

<b>SERIES</b>	ZETA-PLS	profile linear system
<b>TYPE</b>	AL	accent light insert
<b>SIZE</b>	2	2'
	4	4'
	8	8'
	CR-X	custom run - X (select length in feet) reference length table
<b>LED</b>	SW	standard white
<b>DIRECT/INDIRECT</b>	D06	direct output,550 lm per foot, 9 watts
	D08	direct output,740 lm per foot, 12 watts
	D10	direct output,970 lm per foot, 17 watts
<b>CCT &amp; LM MULTIPLIER</b>	30K	3000K (1.00)
	35K	3500K (1.07)
<b>CRI</b>	90	90 CRI
<b>DOWNLIGHT LENS &amp; LM MULTIPLIER</b>	15D	15 degrees
	30D	30 degrees
	E	elliptical beam spread 35° x 15°
<b>VOLTAGE &amp; DIMMING</b>	UNV-DIM10	120V-277V integrated driver, flicker free 0-10V dimming to 1%
	UNV-CAS	120V-277V integrated driver and Bluetooth Casambi control, dimming to 1%
<b>FINISH</b>	BK	black
	WH	white
<b>BEZEL COLOR</b>	BK	black
<b>ELECTRICAL OPTIONS</b>	EM10-RTS-R	emergency battery backup, 90 min. at 10 watts. remote test switch, right illumination
	EM10-RTS-M	emergency battery backup, 90 min. at 10 watts. remote test switch, middle illumination
	EM10-RTS-L	emergency battery backup, 90 min. at 10 watts. remote test switch, left illumination
	EM10-ITS-R	emergency battery backup, 90 min. at 10 watts. integrated test switch, right illumination
	EM10-ITS-M	emergency battery backup, 90 min. at 10 watts. integrated test switch, middle illumination
	EM10-ITS-L	emergency battery backup, 90 min. at 10 watts. integrated test switch, left illumination
	RINV-R	remote inverter circuit, right illumination. (inverter by others)
	RINV-M	remote inverter circuit, middle illumination. (inverter by others)
	RINV-L	remote inverter circuit, left illumination. (inverter by others)
		emergency solution offered in 8 foot increments, for additional run lengths consult factory.
<b>MOUNTING OPTIONS</b>	SLAT-1	mounting hardware kit for 4" to 8" slat height
<b>MOUNTING SIZE</b>	24MB	mounting bars 24" set (extendable from 14" to 24")
	48MB	mounting bars 48" set (extendable from 26" to 48")

#### ORDERING CODE

Follow the steps to specify your fixture, example:

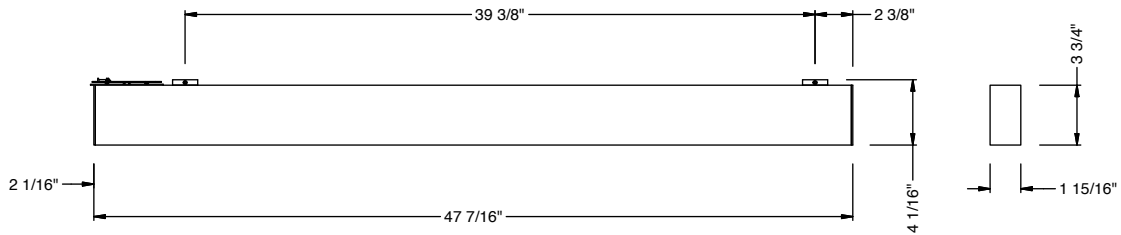
ZETA - PLS - AL - 4 - SW - D10 - 30K - 90 - 15D - UNV - DIM10 - BK - BK - SLAT-1 - 24MB

# alphabet

PROJECT INFORMATION		
JOB NAME		TYPE
ORDERING CODE		

## MOUNTING OPTIONS

AL LENGTH CODE (NOMINAL FEET)	LENGTH (INCHES)	DIRECT WATTAGE (W)	NUMBER OF SEGMENTS
2	23.875	34	1
4	47.5	68	1
6	71.125	102	2
8	94.75	136	1
10	118.375	170	2
12	142	204	2
16	189.25	272	2
24	283.75	408	3
32	378.25	448	3
40	472.75	680	5
48	567.25	816	6
56	661.625	952	7

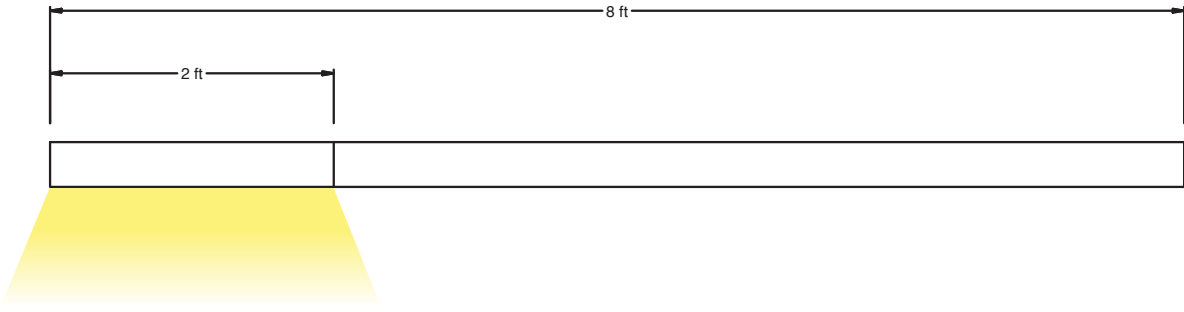


# alphabet

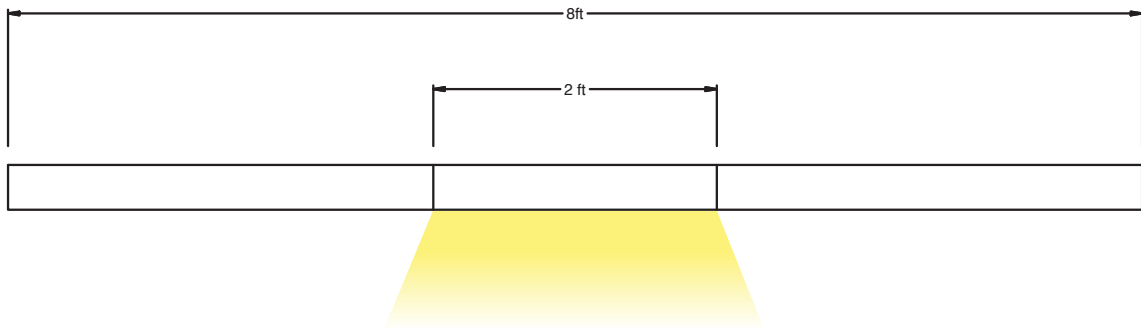
PROJECT INFORMATION		
JOB NAME		TYPE
ORDERING CODE		

## EMERGENCY MOUNTING OPTIONS

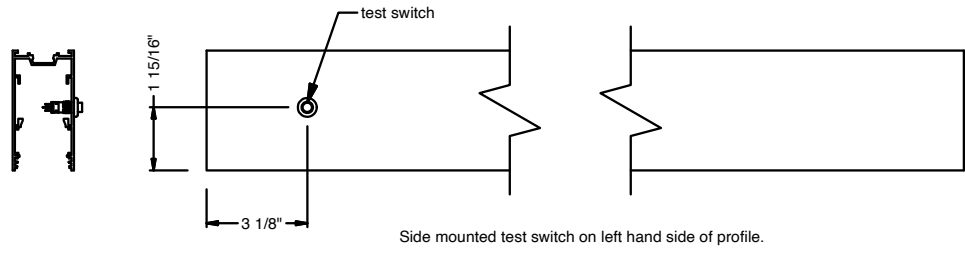
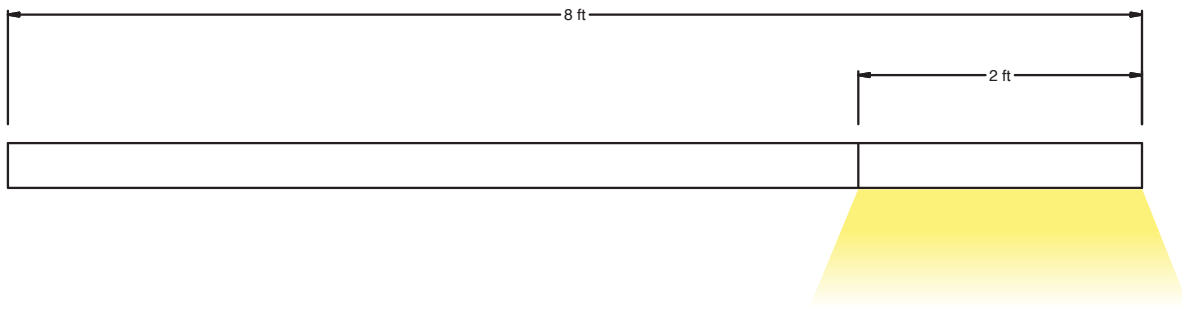
### LEFT ILLUMINATION



### MIDDLE ILLUMINATION



### RIGHT ILLUMINATION

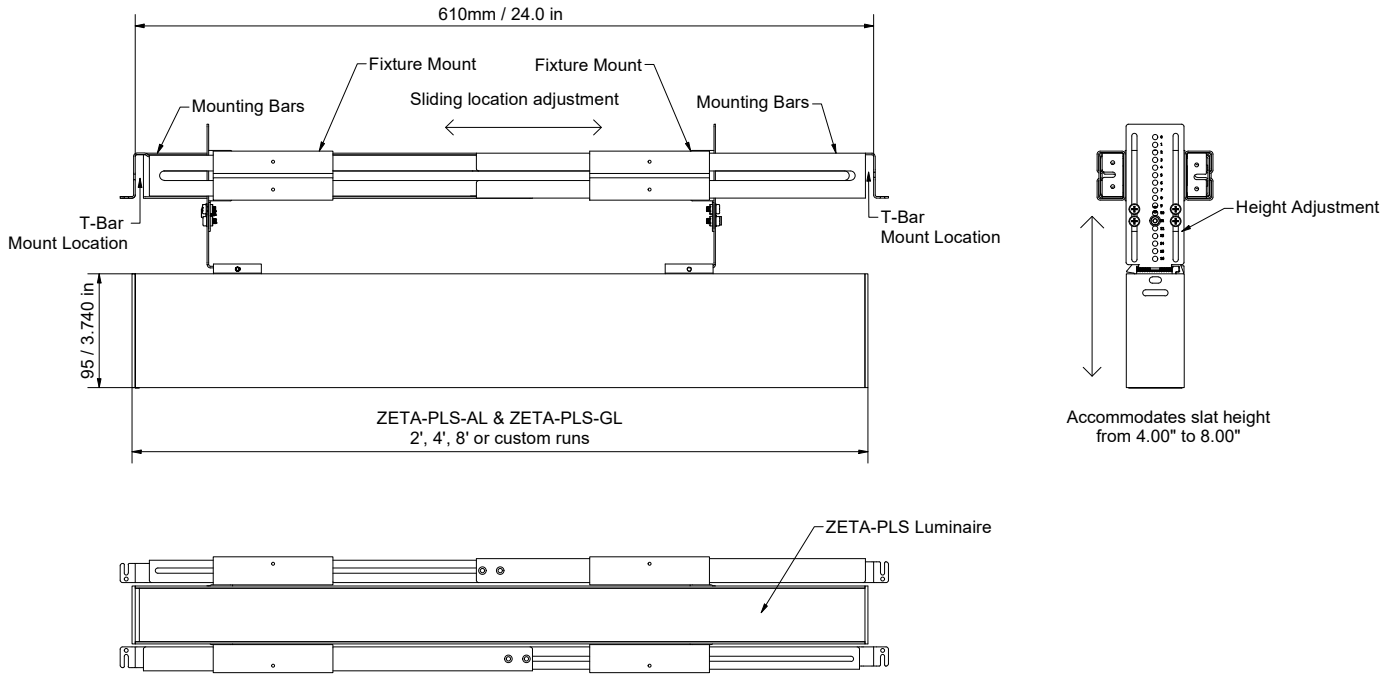


# alphabet

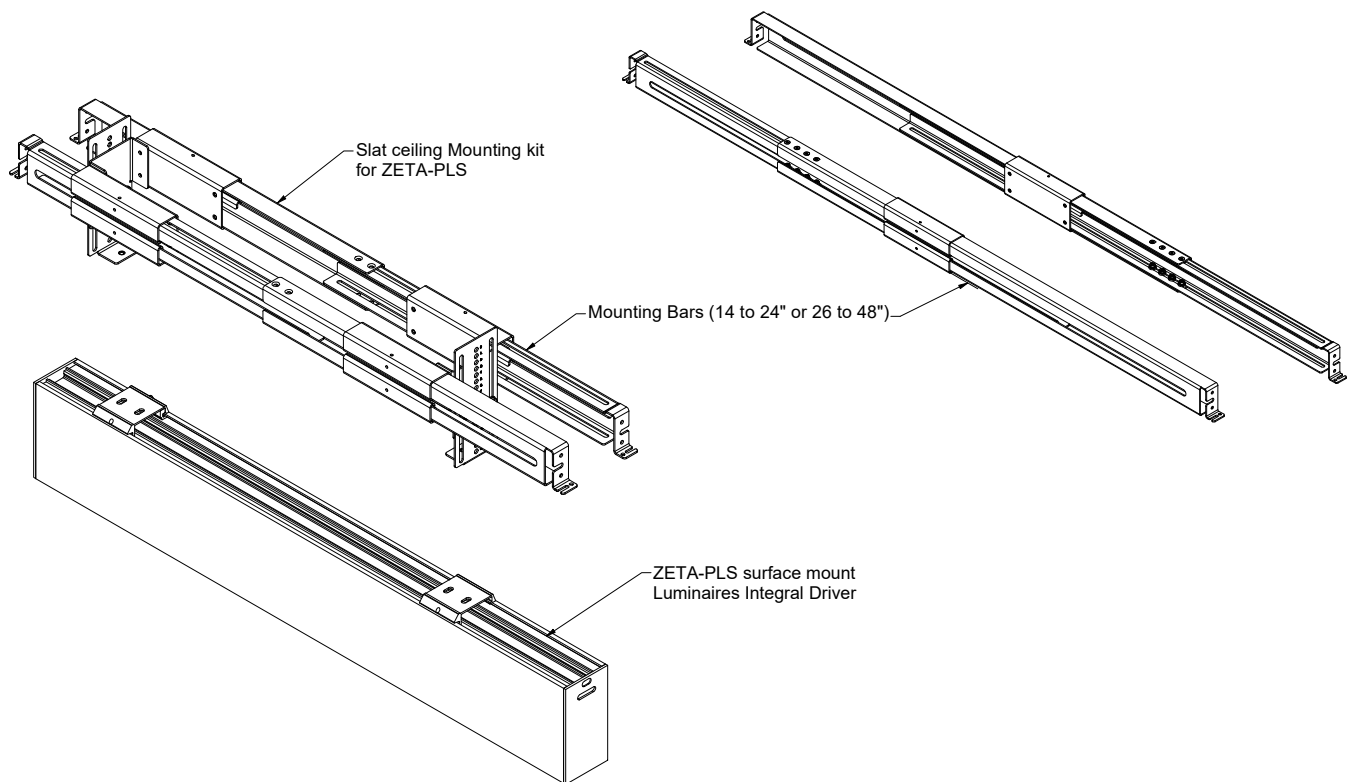
PROJECT INFORMATION		
JOB NAME		TYPE
ORDERING CODE		

## MOUNTING OPTIONS

### FUNCTIONALITY



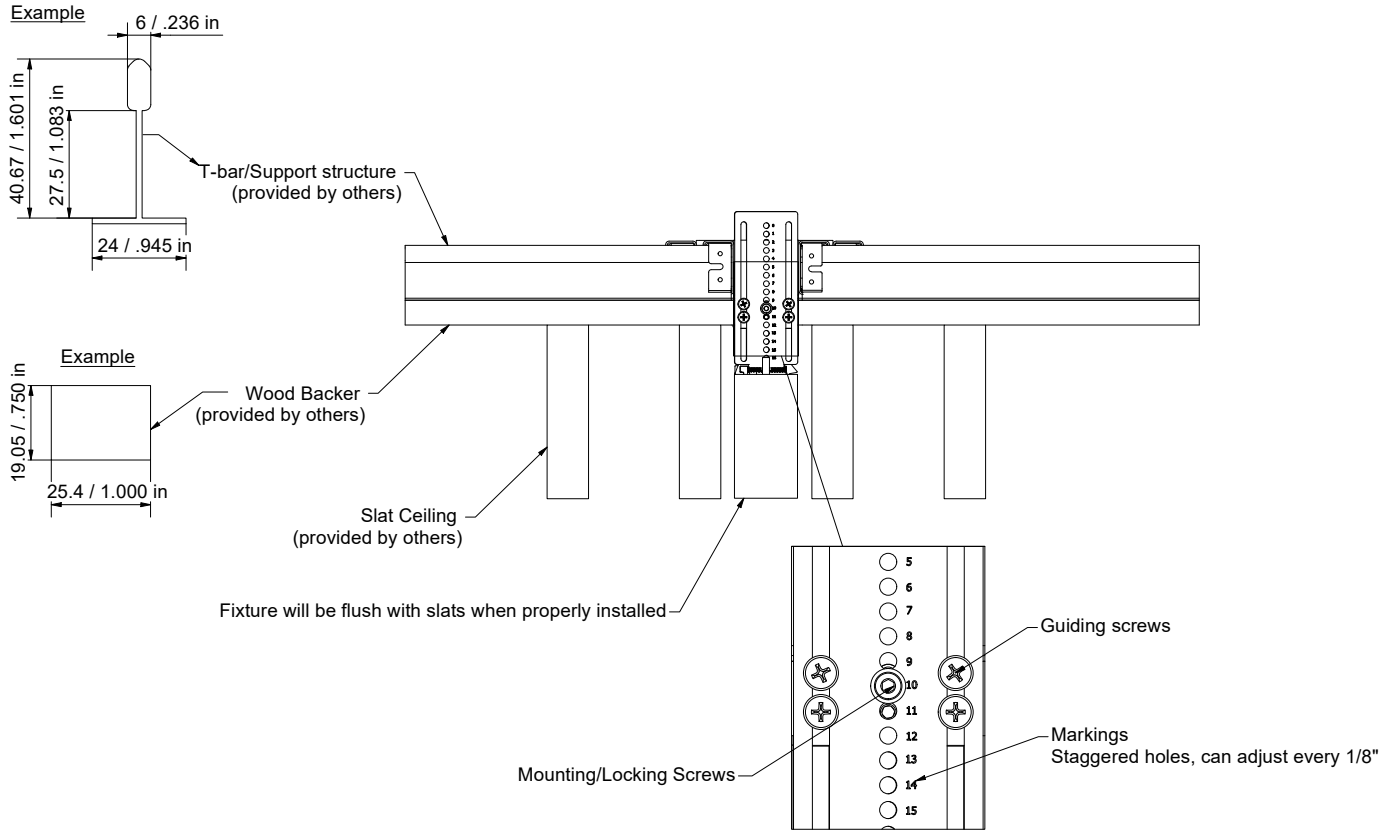
### COMPONENTS



PROJECT INFORMATION		
JOB NAME		TYPE
ORDERING CODE		

## MOUNTING OPTIONS

### CONSTRUCTION & MOUNTING

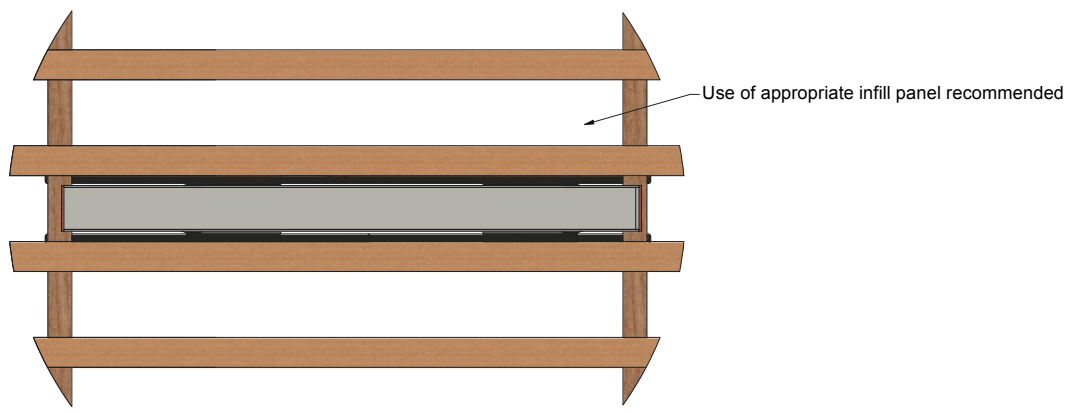
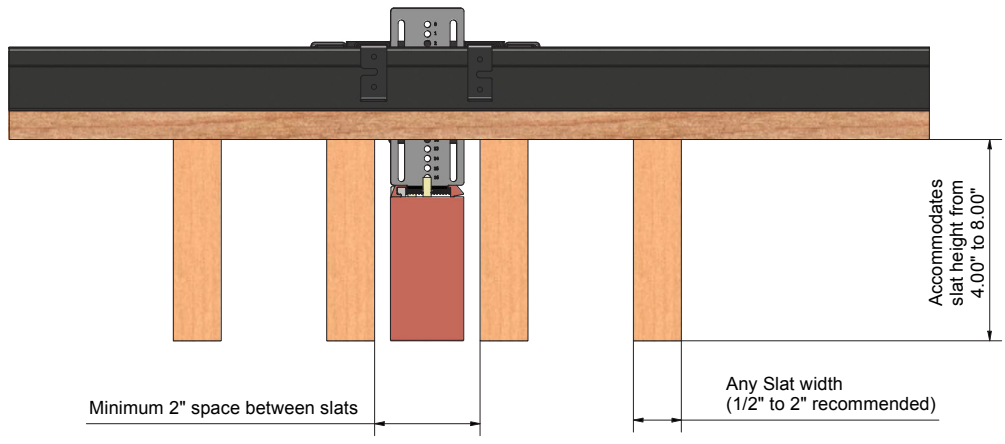


# alphabet

PROJECT INFORMATION		
JOB NAME		TYPE
ORDERING CODE		

## MOUNTING OPTIONS

### SPECIFICATIONS

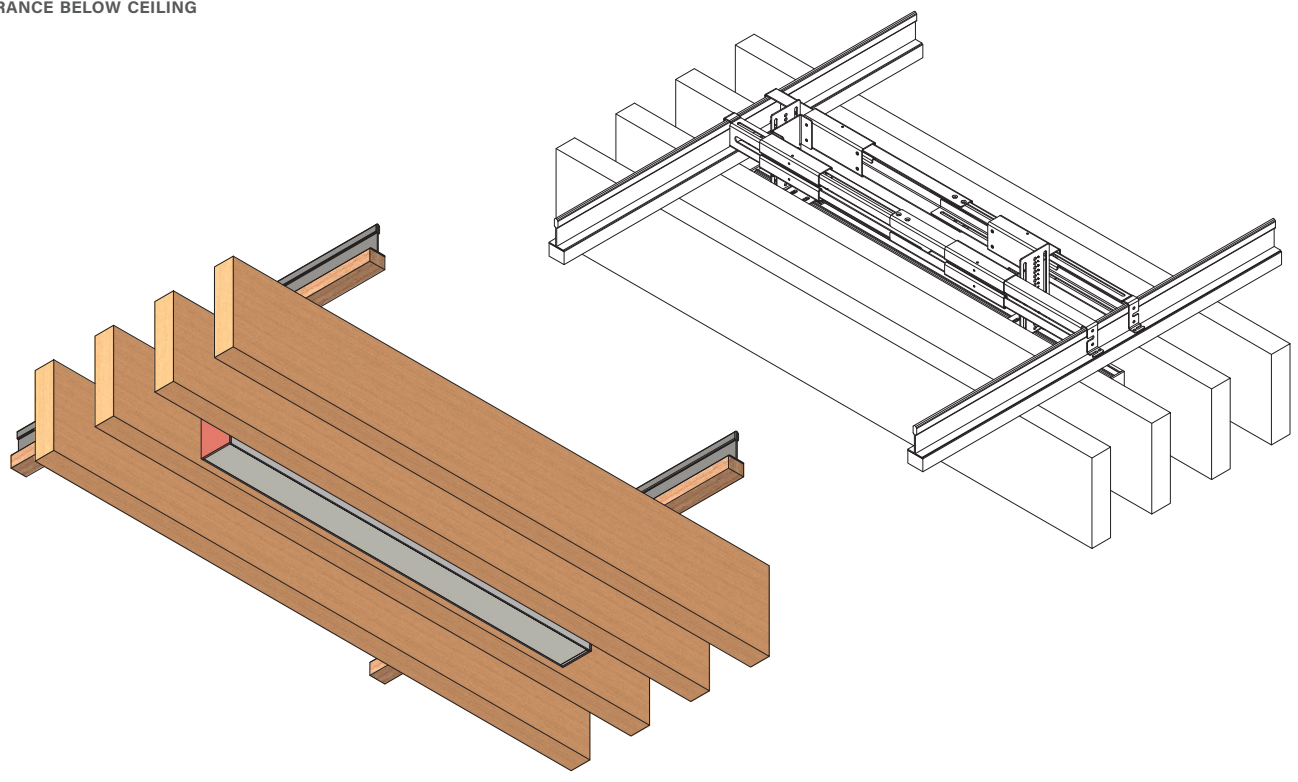


# alphabet

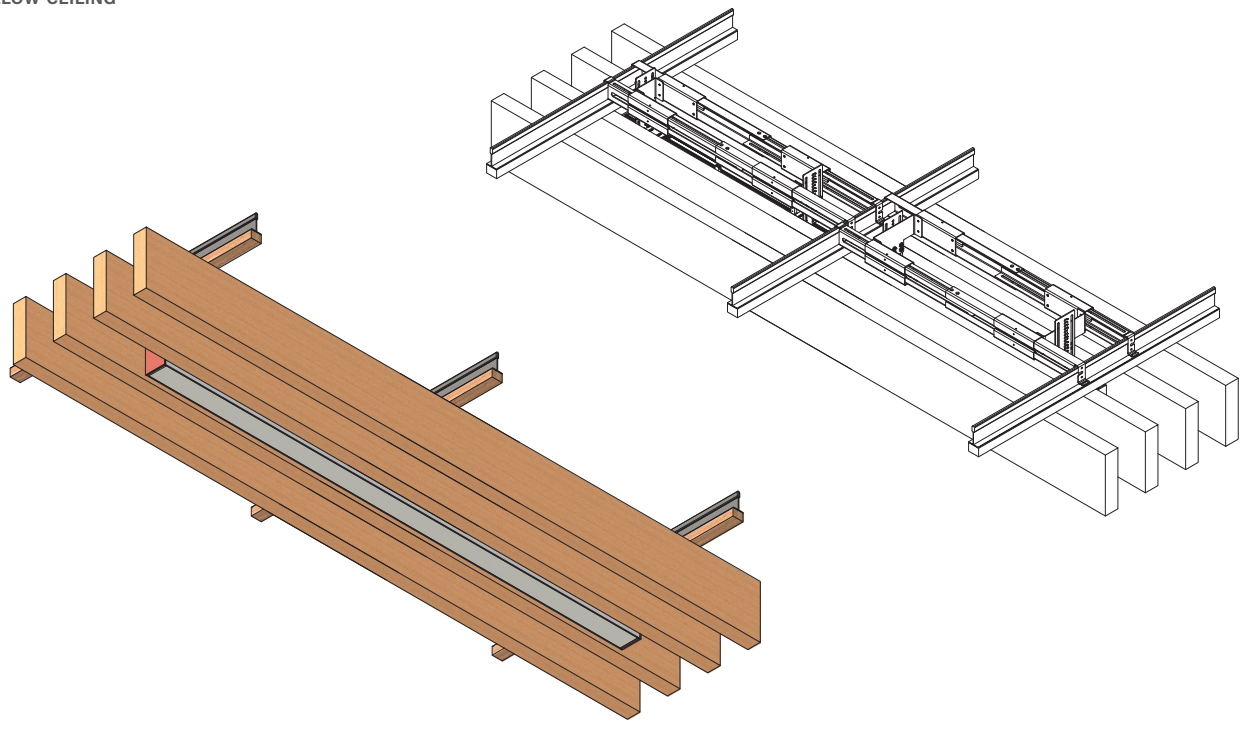
PROJECT INFORMATION		
JOB NAME		TYPE
ORDERING CODE		

## MOUNTING OPTIONS

### 2 FOOT ZET-PLS FIXTURE SETUP WITH 24" MOUNTING BAR SET APPEARANCE BELOW CEILING

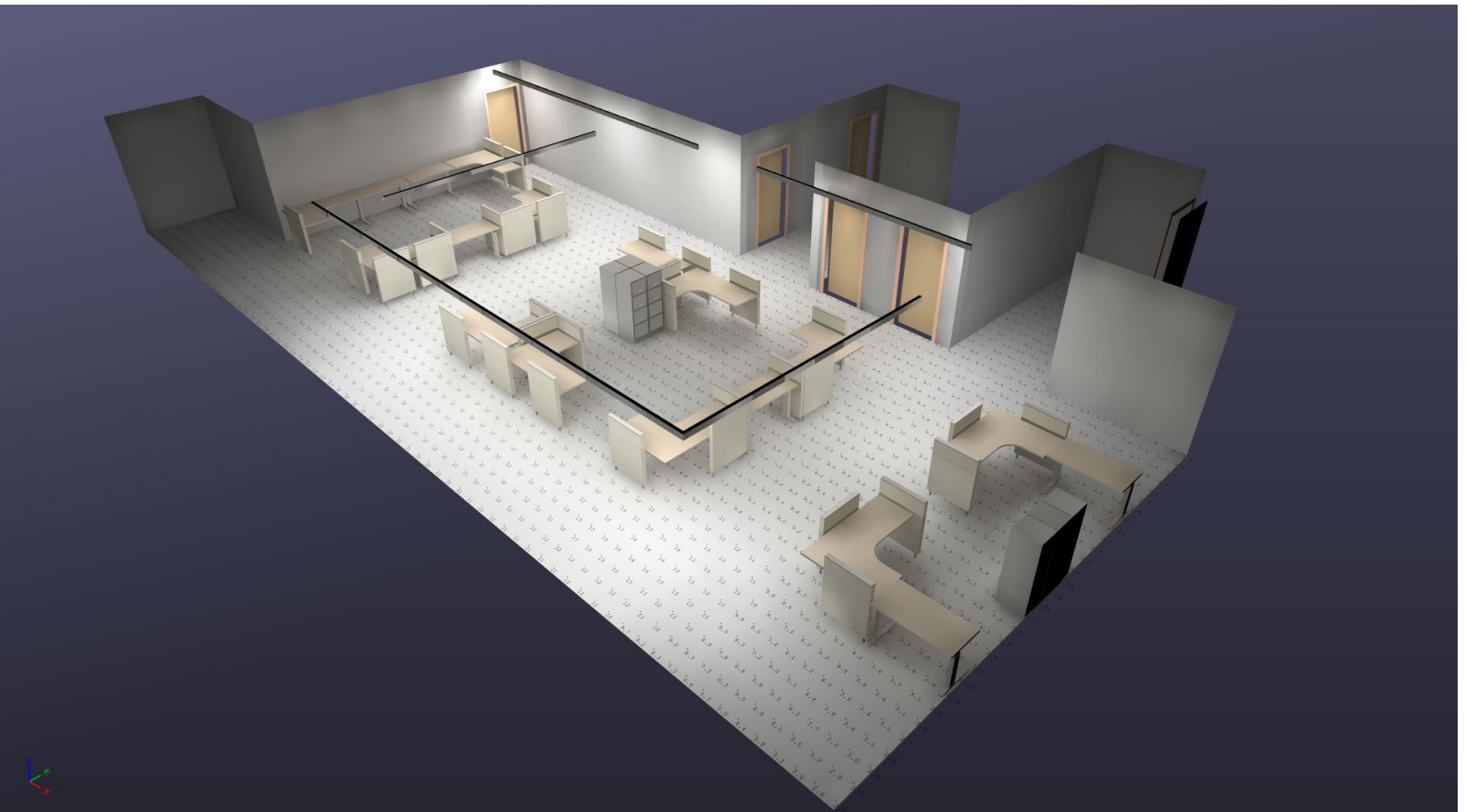
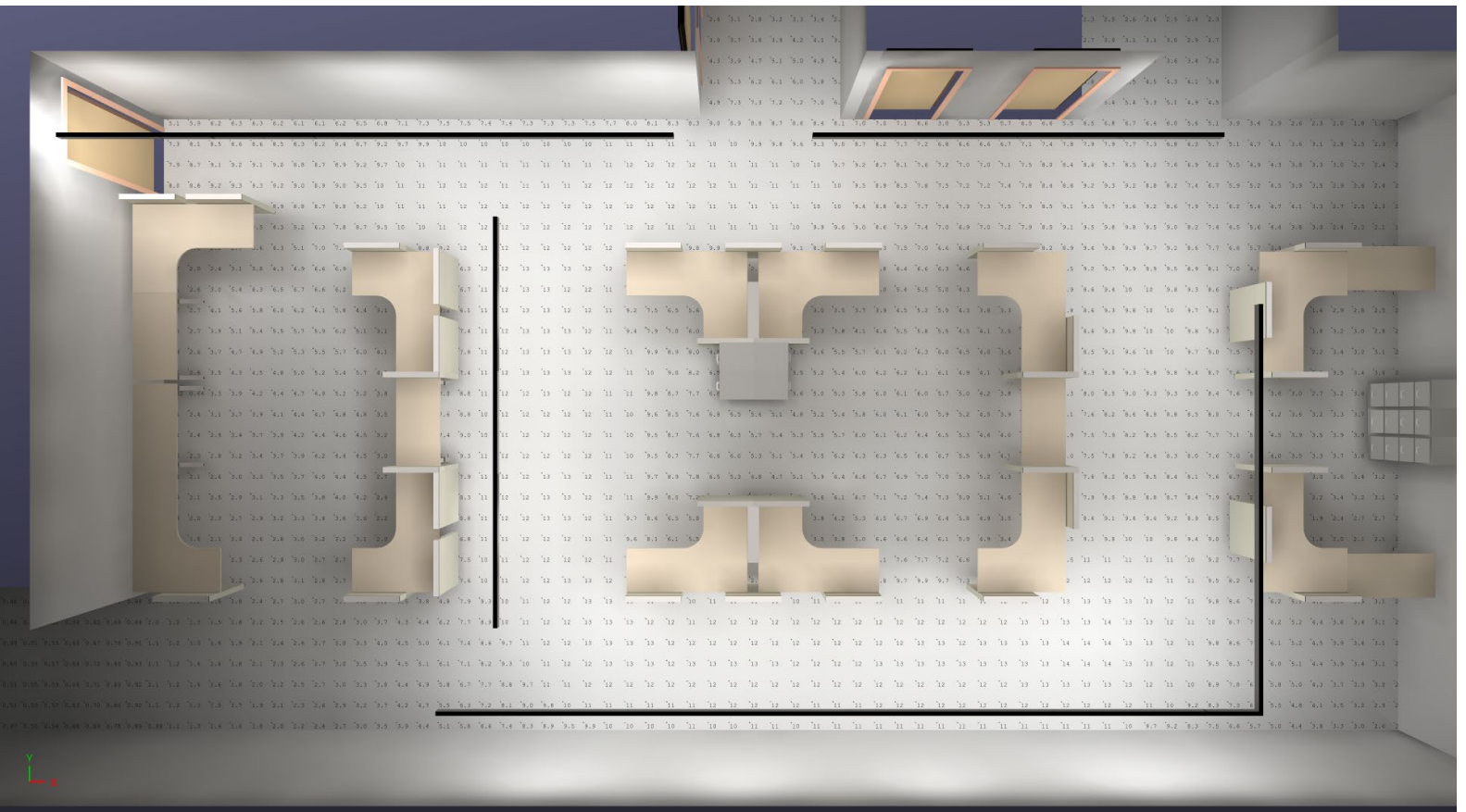


### LONGER RUNS ZETA-PLS FIXTURE SETUP WITH 48" MOUNTING BAR SET (SHOWN 8 FOOT FIXTURE EXAMPLE) APPEARANCE BELOW CEILING



PROJECT INFORMATION		
JOB NAME		TYPE
ORDERING CODE		

## EMERGENCY DESIGN GUIDE (CONTINUED)





PROJECT INFORMATION		
JOB NAME		TYPE
ORDERING CODE		

## EMERGENCY DESIGN GUIDE (CONTINUED)

