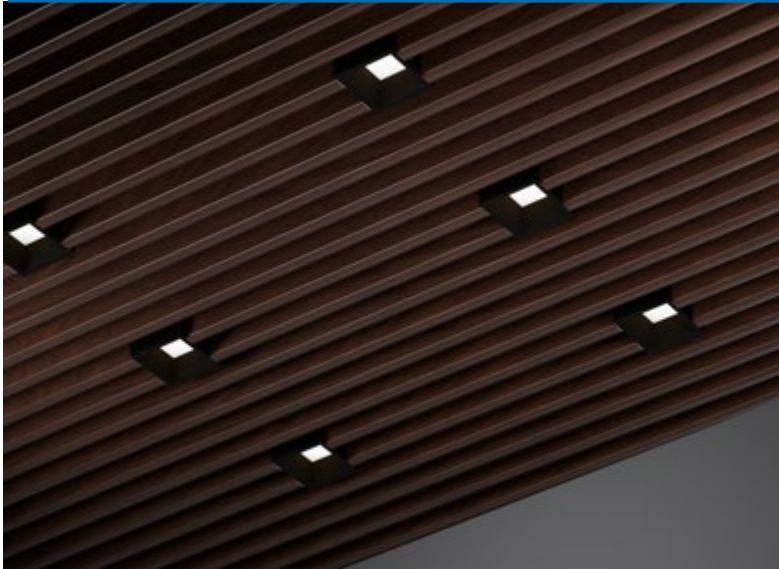


PROJECT INFORMATION		
JOB NAME		TYPE
ORDERING CODE		

SLAT CEILING - BETA

6" Square Standard White



75° - 85° BEAM (Note: Specifications are subject to change without notice)		
14mm COB PERFORMANCE DATA		
LED LIGHT ENGINE	NOMINAL DELIVERED LUMENS	SYSTEM WATTAGE
15LM	1170LM @30K/80CRI	11W
20LM	1630LM @30K/80CRI	15W
25LM	2080LM @30K/80CRI	18W
30LM	2620LM @30K/80CRI	23W
35LM	3100LM @30K/80CRI	29W
40LM	3730LM @30K/80CRI	35W
45LM	4140LM @30K/90CRI	40W
15LM	1000LM @30K/90CRI	11W
20LM	1390LM @30K/90CRI	15W
25LM	1770LM @30K/90CRI	18W
30LM	2230LM @30K/90CRI	23W
35LM	2640LM @30K/90CRI	29W
40LM	3170LM @30K/90CRI	35W
45LM	3520LM @30K/90CRI	40W
Notes	Delivered lumens based on WH80, 3000K (see page 2)	

FEATURES

- Accommodates a wide range of vertical configuration (3" to 8-1/2")
- No restrictions on slat thickness
- Easy maintenance from below the ceiling, above ceiling access not required
- 75° - 80° beam spread
- UGR < 19
- Multiple mounting, glare control options, trims and finishes available

DIMMING AND CONTROLS

- eldoLED flicker free 0-10V dimming to 1% and 0%
- eldoLED flicker free DALI dimming to 1% and 0%
- DMX dim to zero
- Lutron Hi-lumen 2-Wire (Triac and Eco System) dimming to 0.1% and 1%
- Leading & trailing edge (Triac/ELV) dimming to 1%
- Casambi bluetooth dimming to 1.0%

CONSTRUCTION

- Mounting bar hangers available in 24" and 48" configuration
- Integral driver
- Accommodates slat heights from 3" to 8 1/2"
- 1/8" height adjustment
- Extruded aluminum housing
- Slat cutout by others
- Lexan™ (PC) Optimal connectivity for wireless control signal
- Impact and chemical resistant at the highest level

LED

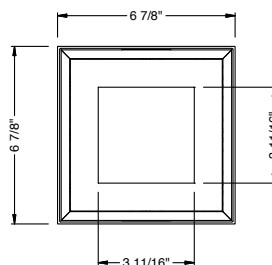
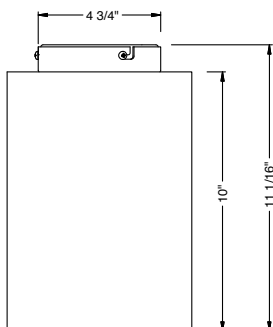
- 90 CRI: SDCM = 2-step MacAdam Ellipse, Lumen Maintenance: L₇₀ > 49,500 hrs
- 80 CRI: SDCM = 3-step MacAdam Ellipse, Lumen Maintenance: L₇₀ > 49,500 hrs

LISTING

- ULus Listed to UL1598 & UL2108; cUL Listed to CSA C22.2 #250.0
- Suitable for dry and damp locations
- 5 Year Limited warranty

ELECTRICAL

- 120V-277V, 120 only Triac / ELV
- Power factor ≥ 0.9
- 2kV driver input surge protection
- Remote emergency test switch
- 7 W, 10W (T20 CEC) and 12W EM 90min battery



alphabet

PROJECT INFORMATION		
JOB NAME		TYPE
ORDERING CODE		

ORDERING CODE	
SERIES	BETA cylinder series
TYPE	6Q 6" square
LED	SW standard white
DELIVERED LUMENS	15LM 1170 lm
	20LM 1630 lm
	25LM 2080 lm
	30LM 2620 lm
	35LM 3100 lm
	40LM 3730 lm
	45LM 4140 lm
Standard Configuration: 3000K 80CRI WH80	
Calculated Delivered Lumens = [Delivered Lumen Value] x [CCT Multiplier] x [Reflector Multiplier]	
CCT	27K 2700K
	30K 3000K
	35K 3500K
	40K 4000K
CRI	80 80 CRI
	90 90 CRI
OPTIC & LM MULTIPLIER SEE PAGE 3	HE75 75° high efficiency diffused lens (0.94)
	HE85 85° high efficiency diffused lens (0.98)
	D75 75° diffused with clear lens (0.98)
	WH80 80° brilliant white with clear lens (1.00)
BEZEL LENS SEE PAGE 3	NL' no lens
FINISH SEE PAGE 3	BK black
	WH white
	MC matte chrome
BEZEL COLOR SEE PAGE 3	BK black (0.98)
	WH white (1.00)
	MC matte chrome (0.99)
	BZ bronze (0.99)
	WT wheat (0.99)

ORDERING CODE	
VOLTAGE	120 ² 120V
	UNV 120V-277V
DIMMING	DIM10 eldoLED flicker free 0-10V dimming to 1%
	DIM10Z eldoLED flicker free 0-10V dimming to 0%
	DALI eldoLED flicker free DALI 2 dimming to 1%
	DALIZ eldoLED flicker free DALI 2 dimming to 0%
	DMXZ ⁵ DMX dim to zero
	LUT ² Lutron Hi-lume Ecosystem dimming to 1%, Soft-on & Fade-to-Black
	LUTP ³ Lutron Hi-lume Premier Ecosystem dimming to 0.1%, Soft-on & Fade-to-Black
ELV1 ^{2,4} leading & trailing edge (Triac/ELV) dimming to 1%	
CAS Casambi Bluetooth control with flicker free 1% dimming	
ELECTRICAL OPTIONS	EM7 remote emergency battery backup, 90 minutes at 7 watts to LED
	EM12 remote emergency battery backup, 90 minutes at 12 watts to LED
	EM10CA20 remote emergency battery backup, 90 minutes at 10W to LED, CA title 20
MOUNTING OPTIONS SEE PAGE 5	SLAT-1 ⁶ mounting hardware kit for 2 1/2" to 8 1/2" slat height,
SIZE	24MB mounting bars 24" set (extendable from 14" to 24")
	48MB mounting bars 48" set (extendable from 26" to 48")
CONSTRUCTION	SF single (1) fixture setup
	CF continuous run (2) fixture setup (fixture every 24" or 48")

ADDITIONAL MOUNTING INFO	
New Construction Bar Hangers (included)	Mounting Length: 14-3/4" to 26"
Extension Kit p/n: K20266 (ordered separately, 1 per fixture)	Extends a pair of Bar Hangers Total Mounting Length: 29" to 48"

YOUR COMPLETED ORDERING CODE	
Follow the steps to specify your fixture, example:	
BETA - 6Q - SW - 30LM - 35K - 80 - WH80 - WH - WH - UNV - DIM10 - EM7 - SLAT - 24MB - SF	

NOTES

- NL option available for D75/WH80.
- ELV1/LUT not available in 50LM.
- LUTP offered in 15LM/20LM options.
- ELV1(120V) not available in 10LM.
- DMX only available with RP or RPF mounting
- Refer page 7 for accurate values

* Order the Slat Ceiling mounting kit (shown above) for each Luminaire. Refer to page 2 for detailed dimensions.

alphabet

PROJECT INFORMATION		
JOB NAME		TYPE
ORDERING CODE		

BEZEL OPTIONS

BEZEL COLORS



OPTICAL OPTIONS

- UGR calculation based on CIE 117-1995; room size: 4H X 8H, reflectance: 70/50/20;
- UGR calculation based on 15LM fixtures.



CL
Clear Lens

OPTIC	BEAM ANGLE	UGR
D75	74	17
WH80	81	19.6



DL
Diffused Lens

OPTIC	BEAM ANGLE	UGR
HE75	75	19
HE85	85	20.6

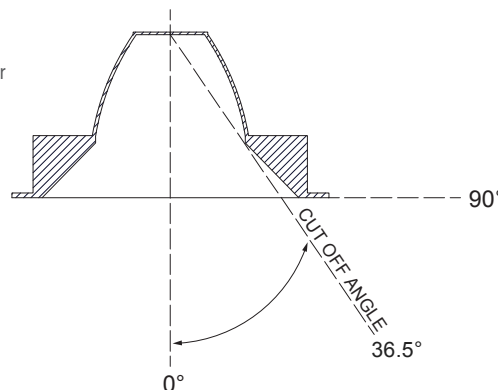
GLARE CONTROL

CUT-OFF ANGLE

Visual comfort is achieved with a lower cut-off angle due to improved glare control. The smaller the cut-off angle, the easier it is on the eye.

Alphabet downlights have been thoughtfully engineered to eliminate glare while still delivering functional illumination.

- Cutoff angle of NL and CL is 36.5 degrees



PROJECT INFORMATION		
JOB NAME		TYPE
ORDERING CODE		

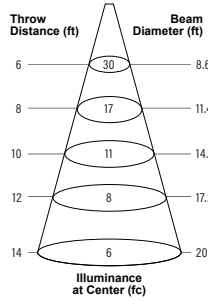
PHOTOMETRIC DATA

20LM CCT MULTIPLIERS

	80CRI	90CRI
2700K	0.96	0.81
3000K	1	0.85
3500K	1.03	0.88
4000K	1.06	0.91

FC Formula = CBCP / Distance²

HE75 75° HIGH EFFICIENCY DIFFUSED LENS

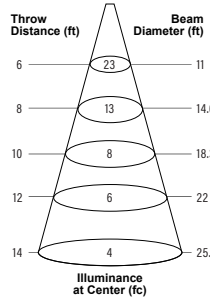


WATTS: 14.15	LPW: 105
LUMENS: 1486	CCT: 3000K

INTENSITY

DEGREE	CANDELA
0	1088
5	1073
15	964
25	785
35	559
45	275

HE85 85° HIGH EFFICIENCY DIFFUSED LENS

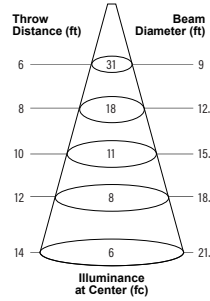


WATTS: 14.15	LPW: 106
LUMENS: 1500	CCT: 3000K

INTENSITY

DEGREE	CANDELA
0	818.215
5	813
15	775
25	699
35	570
45	343

D75 74° DIFFUSED WITH CLEAR LENS

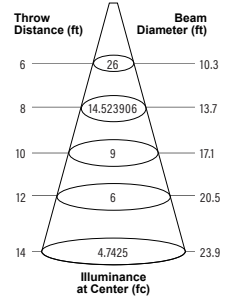


WATTS: 14.15	LPW: 100.7
LUMENS: 1424	CCT: 3000K

INTENSITY

DEGREE	CANDELA
0	1133
5	1121
15	1033
25	863
35	642
45	152

WH80 81° BRILLIANT WHITE WITH CLEAR LENS



WATTS: 14.15	LPW: 115.2
LUMENS: 1630	CCT: 3000K

INTENSITY

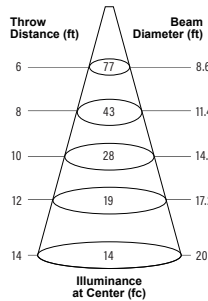
DEGREE	CANDELA
0	929
5	926
15	901
25	840
35	735
45	279

45LM CCT MULTIPLIERS

	80CRI	90CRI
2700K	0.96	0.81
3000K	1	0.85
3500K	1.03	0.88
4000K	1.06	0.91

FC Formula = CBCP / Distance²

HE75 75° HIGH EFFICIENCY DIFFUSED LENS

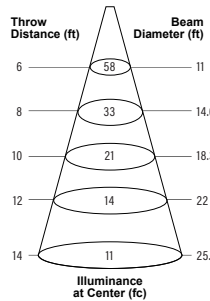


WATTS: 39.9	LPW: 94.7
LUMENS: 3778	CCT: 3000K

INTENSITY

DEGREE	CANDELA
0	2767
5	2729
15	2451.745
25	1995
35	1421
45	700

HE85 85° HIGH EFFICIENCY DIFFUSED LENS

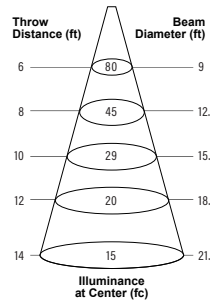


WATTS: 39.9	LPW: 95.6
LUMENS: 3815	CCT: 3000K

INTENSITY

DEGREE	CANDELA
0	2080
5	2068
15	1971
25	1776
35	1448
45	871

D75 74° DIFFUSED WITH CLEAR LENS

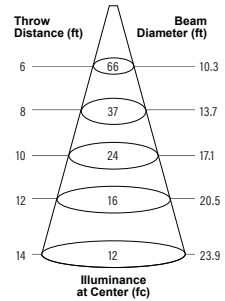


WATTS: 39.9	LPW: 90.8
LUMENS: 3621	CCT: 3000K

INTENSITY

DEGREE	CANDELA
0	2880
5	2850
15	2625
25	2195
35	1633
45	387

WH80 81° BRILLIANT WHITE WITH CLEAR LENS



WATTS: 39.9	LPW: 103.8
LUMENS: 4143	CCT: 3000K

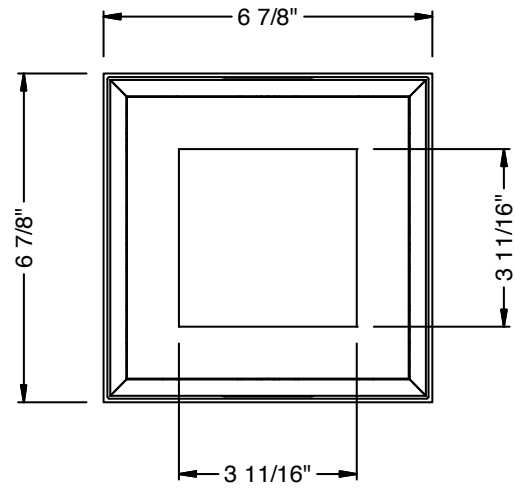
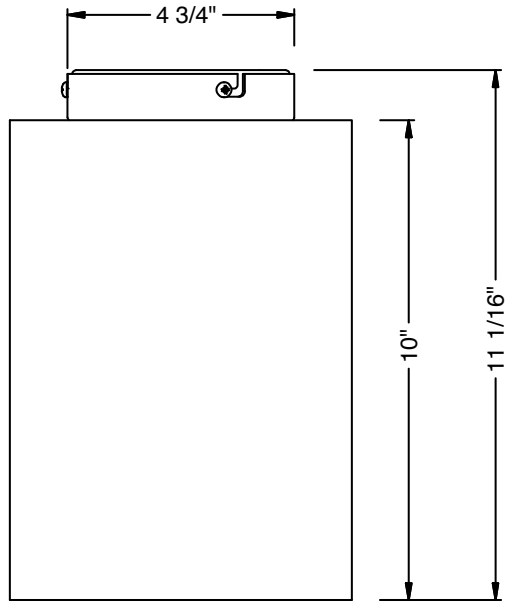
INTENSITY

DEGREE	CANDELA
0	2363
5	2355
15	2291
25	2136
35	1869
45	711

alphabet

PROJECT INFORMATION		
JOB NAME		TYPE
ORDERING CODE		

MOUNTING OPTIONS

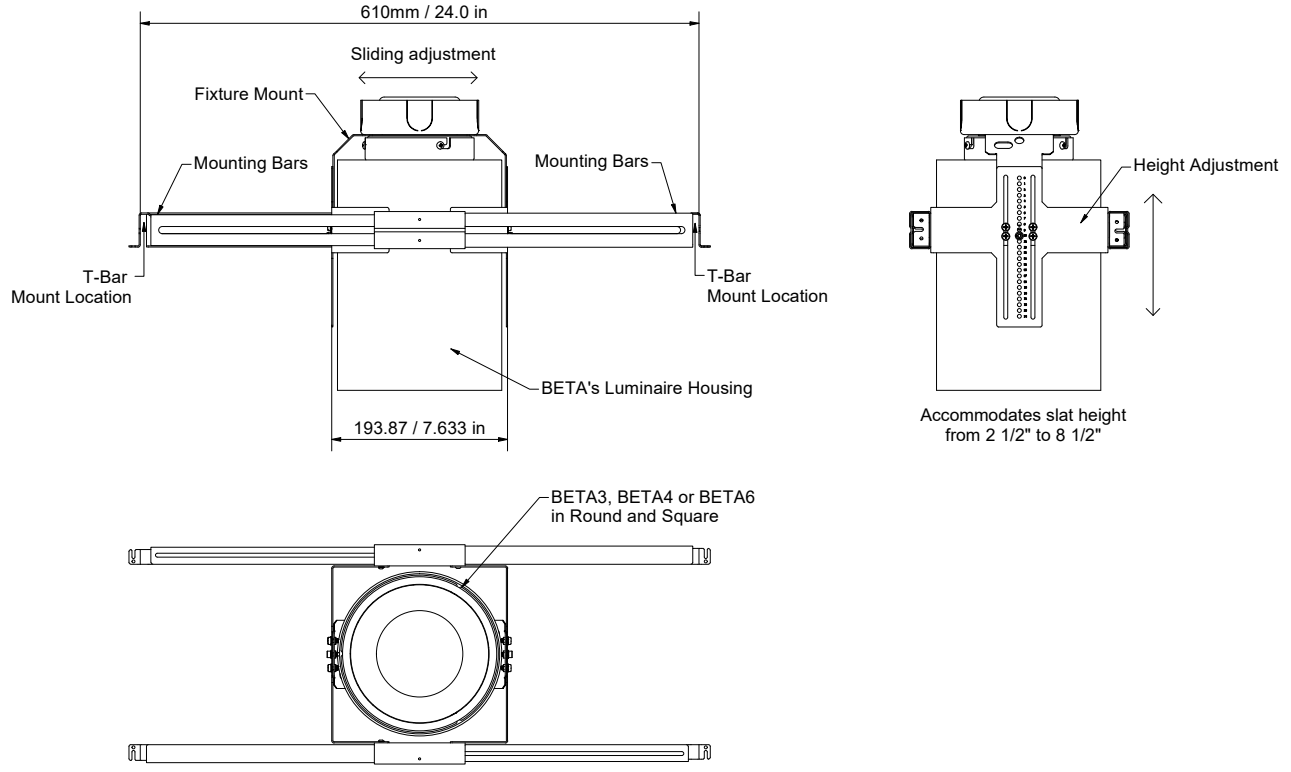


alphabet

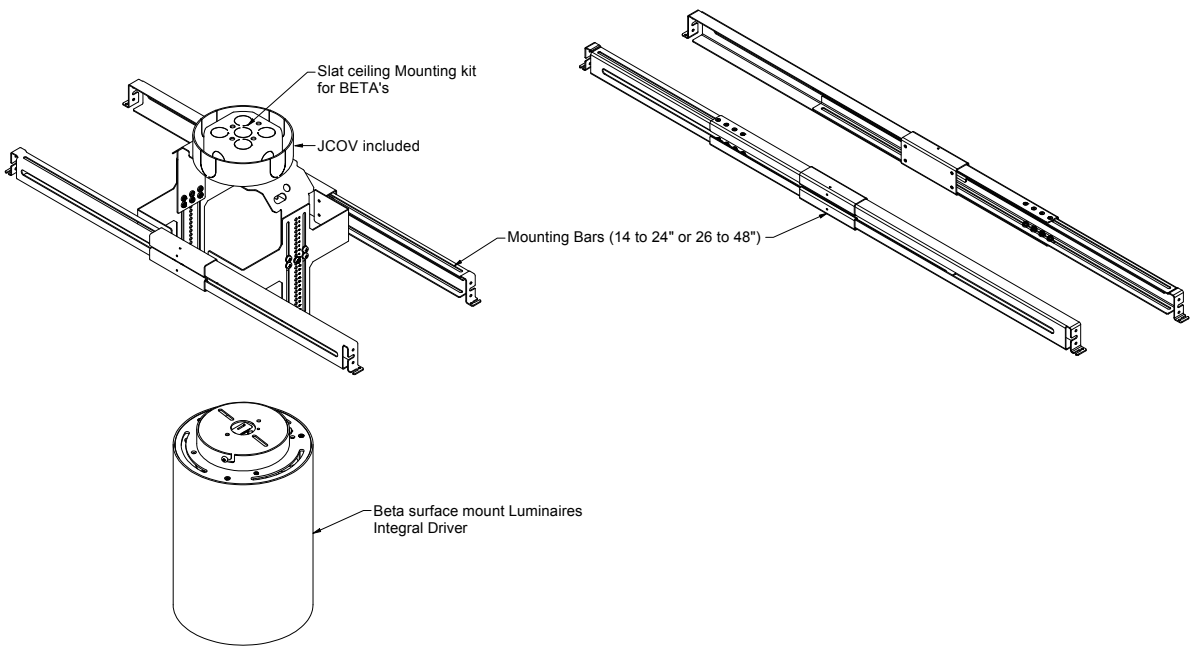
PROJECT INFORMATION		
JOB NAME		TYPE
ORDERING CODE		

MOUNTING OPTIONS

FUNCTIONALITY



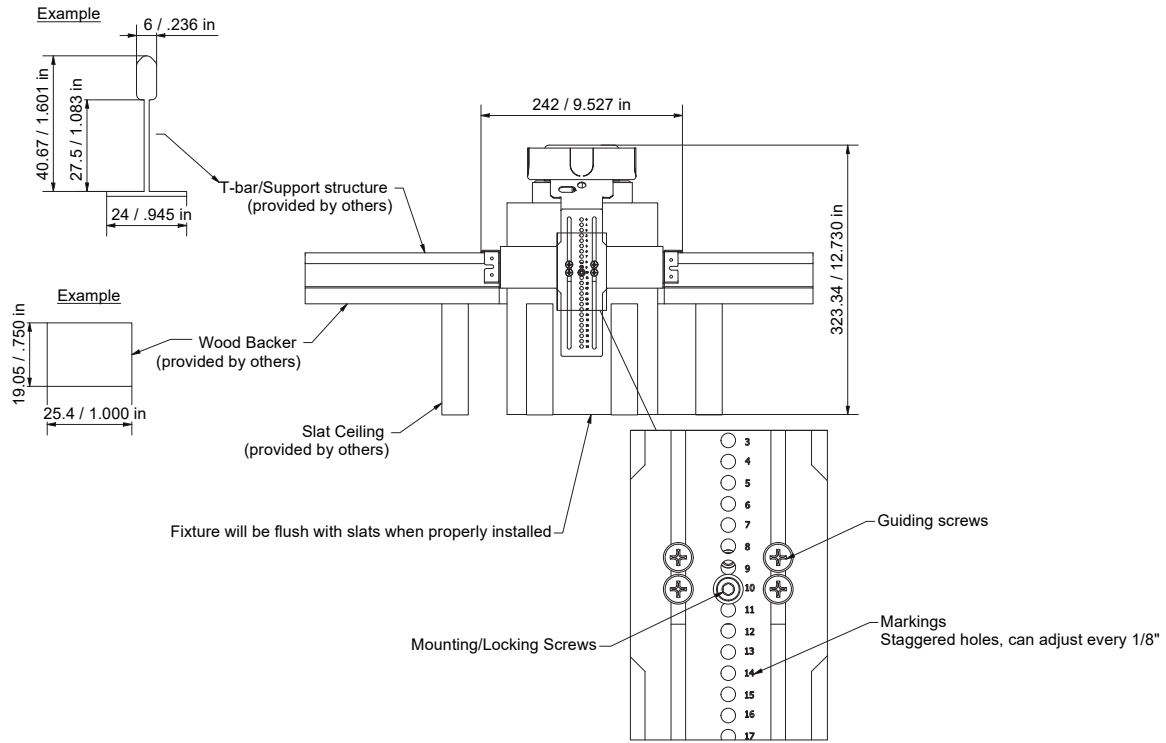
COMPONENTS



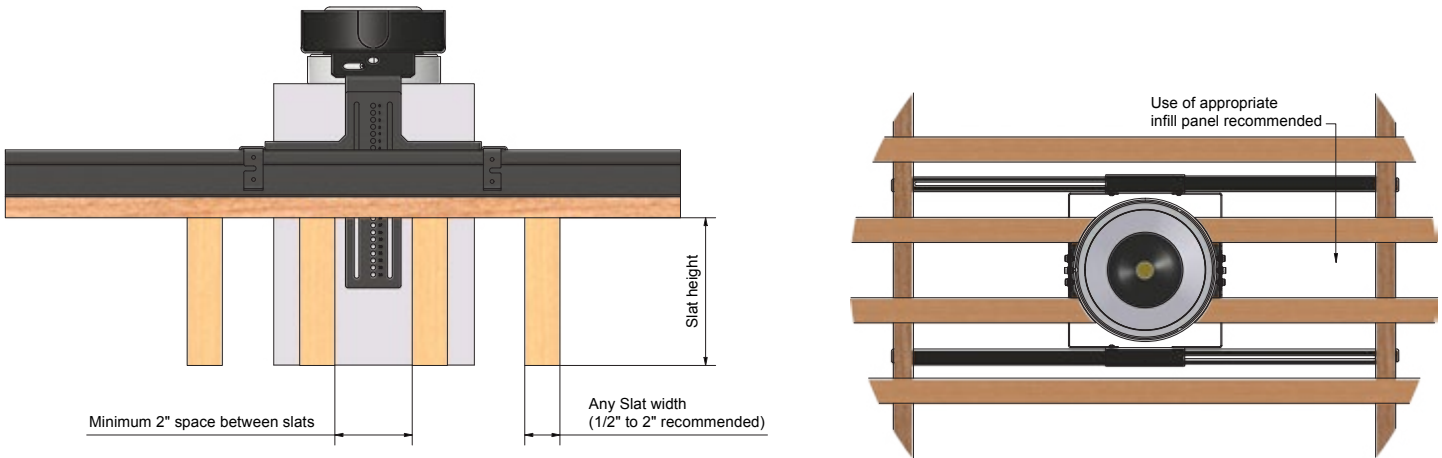
PROJECT INFORMATION		
JOB NAME		TYPE
ORDERING CODE		

MOUNTING OPTIONS

CONSTRUCTION & MOUNTING



SPECIFICATIONS



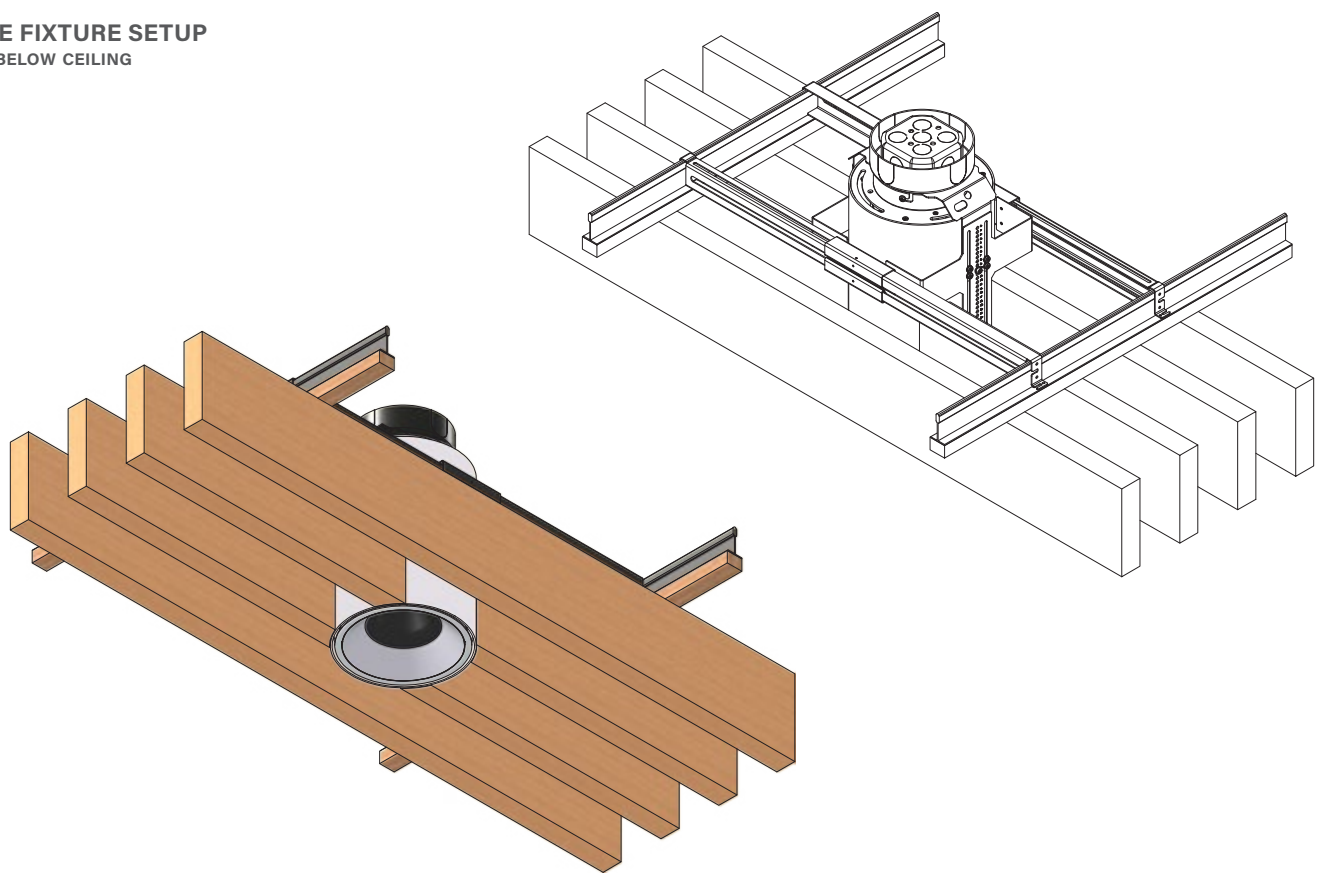
LIMITATIONS

FIXTURE TYPE	SLAT HEIGHT	SLAT HOLE CUT SIZE RECOMMENDED
BETA3	2½" - 7"	3⅝" - 3¾"
BETA4	2½" - 8"	4⅞" - 5"
BETA6	3" - 8½"	7¼" - 7½"

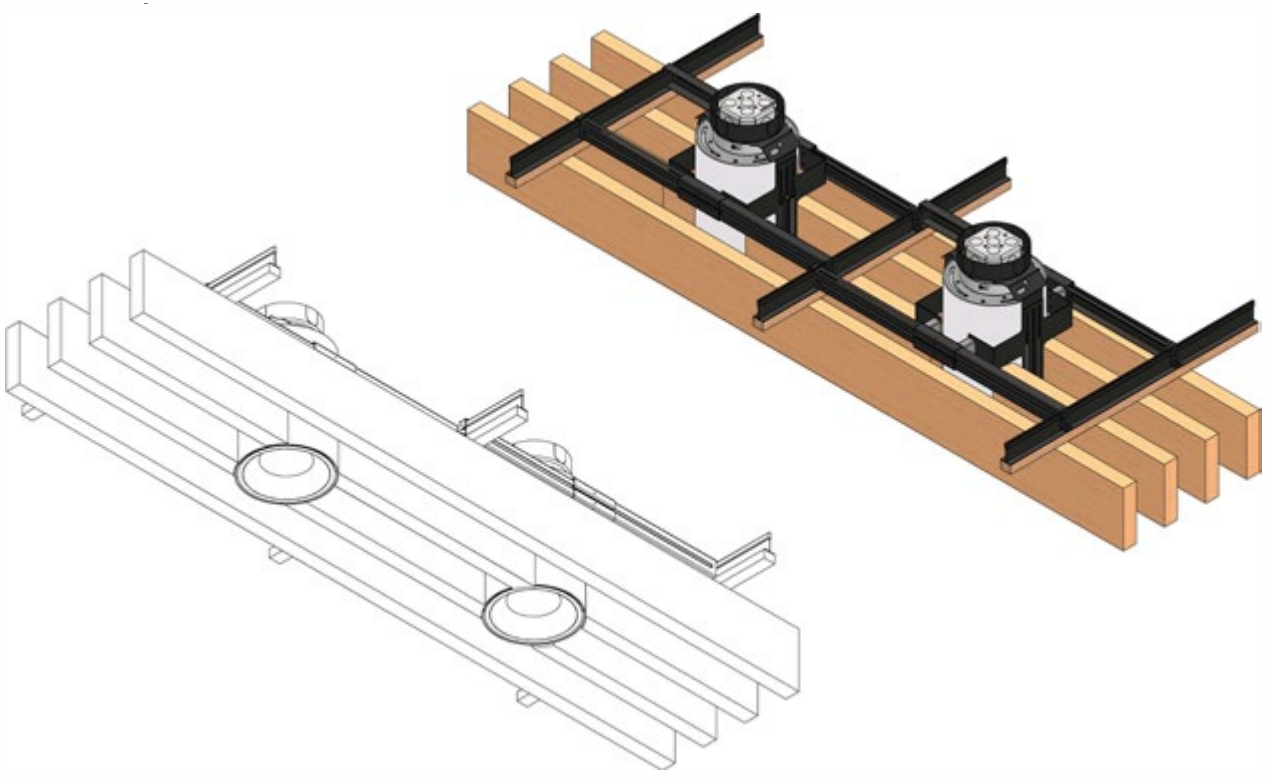
PROJECT INFORMATION		
JOB NAME		TYPE
ORDERING CODE		

MOUNTING OPTIONS

SF - SINGLE FIXTURE SETUP APPEARANCE BELOW CEILING



CF - CONTINUOUS RUN TWO FIXTURE SETUP (FIXTURES EVERY 24") APPEARANCE BELOW CEILING



PROJECT INFORMATION		
JOB NAME		TYPE
ORDERING CODE		

BATTERY OPTIONS

EMERGENCY BATTERY

IOTA's ILB battery backups are UL Listed LED emergency drivers that allow the same LED fixture to be used for both normal and emergency operation. In the event of a power failure, the ILB switches to the emergency mode and operates the existing fixture for 90 minutes. The unit contains a battery, charger, and converter circuit in a single can. The constant power design of the ILB maintains the output wattage to the LED array even as the system voltage diminishes. UL 924 Listed for U.S. and Canada. UL 1310 Certified, output class 2 compliant. Includes single-piece TBTS test switch and charge indicator accessory kit. For use with switched and unswitched fixtures, and includes two-wire universal AC input. Meets or exceeds all National Electric Code and Life Safety Code Emergency Lighting requirements. Rated for use in plenum, damp location, recessed type IC, and enclosed and gasketed luminaires.

REMOTE TEST SWITCH

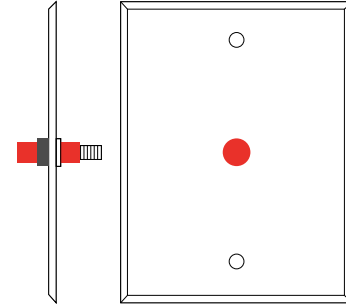
The remote test switch may be mounted adjacent to the LED Fixture by others.

EMERGENCY BATTERY ACCESS

Above ceiling access is recommended for ease of service.

REMOTE LOCATION

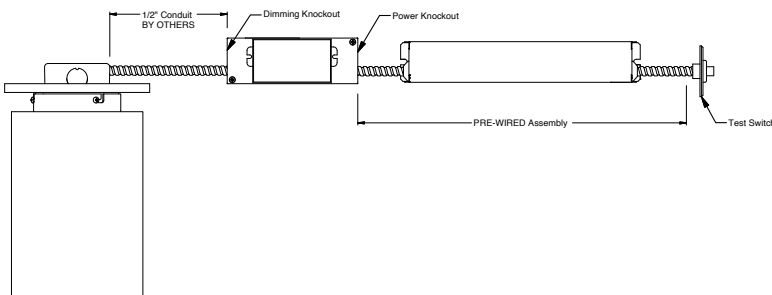
Maximum remote mounting distance of the emergency driver shall be 50 feet. Remote location wiring provided by others. Follow all local and national electric/building codes.



Remote Test Switch

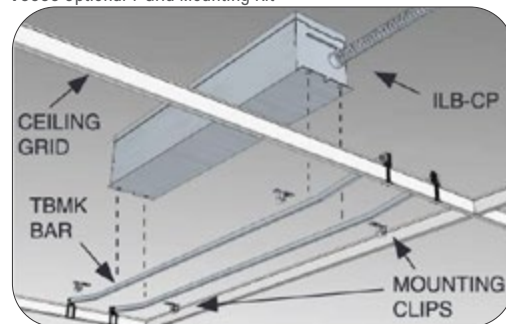
EM MODE OUTPUT (DELIVERED LUMENS)			
LUMEN ORDERING CODE	EM7	EM10	EM12
ALL OPTIONS (10LM TO 50LM)	850LM	1170LM	1400LM
Notes: Based on 30K, 80CRI			

REMOTE BATTERY



Accessory

76066 Optional T-Grid Mounting Kit¹



1. Can be used with any of the Emergency Battery Backups. Must be ordered as a separate line item.