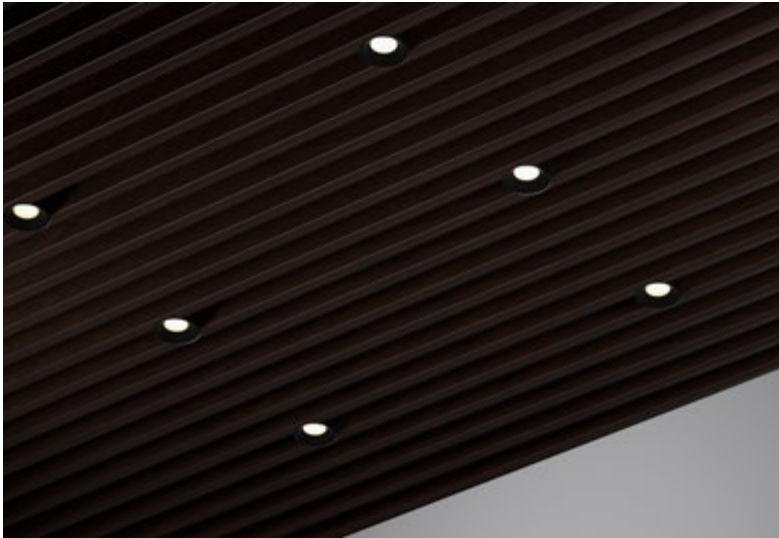


alphabet

PROJECT INFORMATION		
JOB NAME		TYPE
ORDERING CODE		

SLAT CEILING - BETA

6" Cylinder Standard White



30° - 70° BEAM (Note: Specifications are subject to change without notice)		
14mm COB PERFORMANCE DATA		
LED LIGHT ENGINE	NOMINAL DELIVERED LUMENS	SYSTEM WATTAGE
10LM	980LM @30K/80CRI	9W
15LM	1200LM @30K/80CRI	11W
20LM	1650LM @30K/80CRI	15W
25LM	2110LM @30K/80CRI	18W
30LM	2650LM @30K/80CRI	23W
35LM	3120LM @30K/80CRI	28W
40LM	3710LM @30K/80CRI	35W
45LM	4090LM @30K/80CRI	40W
10LM	830LM @30K/90CRI	9W
15LM	1020LM @30K/90CRI	11W
20LM	1410LM @30K/90CRI	15W
25LM	1790LM @30K/90CRI	18W
30LM	2250LM @30K/90CRI	23W
35LM	2650LM @30K/90CRI	28W
40LM	3150LM @30K/90CRI	35W
45LM	3480LM @30K/90CRI	40W
Notes	Delivered lumens based on HE60, 3000K (see page 2)	

10° BEAM (Note: Specifications are subject to change without notice)		
9mm COB PERFORMANCE DATA		
LED LIGHT ENGINE	NOMINAL DELIVERED LUMENS	SYSTEM WATTAGE
10LM	930LM @30K/80CRI	9W
15LM	1380LM @30K/80CRI	12W
20LM	1740LM @30K/80CRI	17W
25LM	2160LM @30K/80CRI	21W
30LM	2710LM @30K/80CRI	28W
35LM	3090LM @30K/80CRI	34W
40LM	3580LM @30K/80CRI	41W
10LM	810LM @30K/90CRI	9W
15LM	1190LM @30K/90CRI	12W
20LM	1510LM @30K/90CRI	17W
25LM	1870LM @30K/90CRI	21W
30LM	2350LM @30K/90CRI	28W
35LM	2680LM @30K/90CRI	34W
40LM	3100LM @30K/90CRI	41W
Notes	Delivered lumens based on S10, no Lens, 3000K (see page 2)	

FEATURES

- Accommodates a wide range of vertical configuration (3" to 8-1/2")
- No restrictions on slat thickness
- Easy maintenance from below the ceiling, above ceiling access not required
- 10° - 70° beam spread
- UGR < 19
- Multiple mounting, glare control options, trims and finishes available

DIMMING AND CONTROLS

- eldoLED flicker free 0-10V dimming to 1% and 0%
- eldoLED flicker free DALI dimming to 1% and 0%
- DMX dim to zero
- Lutron Hi-lumen 2-Wire (Triac and Eco System) dimming to 0.1% and 1%
- Leading & trailing edge (Triac/ELV) dimming to 1%
- Casambi bluetooth dimming to 0.1%
- nLight control interface: Standard Cat-5/RJ45 connection (female), dimming to 0%

CONSTRUCTION

- Mounting bar hangers available in 24" and 48" configuration
- Integral driver
- Accommodates slat heights from 3" to 8 1/2"
- 1/8" height adjustment
- Slat cutout by others
- Extruded aluminum housing
- Lexan™ (PC) Optimal connectivity for wireless control signal
- Impact and chemical resistant at the highest level

LED

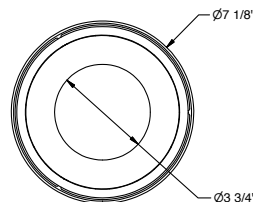
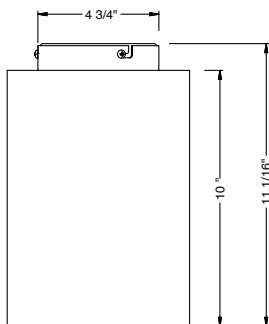
- 90 CRI: SDCM = 2-step MacAdam Ellipse, Lumen Maintenance: L₇₀ > 49,500 hrs
- 80 CRI: SDCM = 3-step MacAdam Ellipse, Lumen Maintenance: L₇₀ > 49,500 hrs

LISTING

- ULus Listed to UL1598 & UL2108; cUL Listed to CSA C22.2 #250.0
- Suitable for dry and damp locations
- 5 Year Limited warranty

ELECTRICAL

- 120V-277V, 120 only Triac / ELV
- Power factor ≥ 0.9
- 2kV driver input surge protection
- Remote emergency test switch
- 7 W, 10W (T20 CEC) and 12W EM 90min battery



alphabet

PROJECT INFORMATION		
JOB NAME		TYPE
ORDERING CODE		

		ORDERING CODE	
SERIES	BETA	cylinder series	
TYPE	6R	6" round	
LED	SW	standard white	
DELIVERED LUMENS	10LM	980 lm	
	15LM	1200 lm	
	20LM	1650 lm	
	25LM	2110 lm	
	30LM	2650 lm	
	35LM	3120 lm	
	40LM	3710 lm	
	45LM	4090 lm	
Standard Configuration: 3000K 80CRI HE60			
Calculated Delivered Lumens = [Delivered Lumen Value] x [CCT Multiplier]			
CCT	27K	2700K	
	30K	3000K	
	35K	3500K	
	40K	4000K	
		CCT	2700K
		CRI	80+ 90+ 80+ 90+ 80+ 90+ 80+ 90+
		CCT MULTIPLIER FOR LUMEN OUTPUT	0.96 0.81 1 0.84 1.01 0.85 1.03 0.87
CRI	80	80 CRI	
	90	90 CRI	
OPTIC & LM MULTIPLIER SEE PAGE 4	HE40	40° high efficiency diffused lens	(0.99)
	HE60	60° high efficiency diffused lens	(1.00)
	HE70	70° high efficiency diffused lens	(0.96)
	SS30	30° semi-specular with clear lens	(0.89)
	SS40	40° semi-specular with clear lens	(0.90)
	SS60	60° semi-specular with clear lens	(0.92)
	D40	40° diffused with clear lens	(0.86)
	D60	60° diffused with clear lens	(0.90)
WH70	70° brilliant white with clear lens	(0.99)	
10° narrow beam angle, see page 2 for details.			
ACCESSORY SEE PAGE 4	HCL¹	honeycomb louver	
BEZEL LENS SEE PAGE 4	NL²	no lens	
FINISH SEE PAGE 4	BK	black	
	WH	white	
	MC	matte chrome	
	CC	custom color, consult factory for details	
BEZEL COLOR SEE PAGE 4	BK	black	(0.98)
	WH	white	(1.00)
	MC	matte chrome	(0.99)
	BZ	bronze	(0.99)
	WT	wheat	(0.99)
	CC	custom color, consult factory for details	

		ORDERING CODE	
VOLTAGE	120	120V	
	UNV	120V-277V	
DIMMING	DIM10	eldoLED flicker free 0-10V dimming to 1%	
	DIM10Z	eldoLED flicker free 0-10V dimming to 0%	
	DALI	eldoLED flicker free DALI 2 dimming to 1%	
	DALIZ	eldoLED flicker free DALI 2 dimming to 0%	
	DMXZ	DMX dim to zero	
	LTE^{3,4}	Lutron Hi-lume 2-Wire (Triac) dimming to 1%	
	LUT⁴	Lutron Hi-lume Ecosystem dimming to 1%, Soft-on & Fade-to-Black	
	LUTP⁵	Lutron Hi-lume Premier Ecosystem dimming to 0.1%, Soft-on & Fade-to-Black	
	ELV1^{3,4}	leading & trailing edge (Triac/ELV) dimming to 1%	
	CAS	Casambi Bluetooth control with flicker free 1% dimming	
ELECTRICAL OPTIONS	EM7	remote emergency battery backup, 90 minutes at 7 watts to LED	
	EM12	remote emergency battery backup, 90 minutes at 12 watts to LED	
	EM10CA20	remote emergency battery backup, 90 minutes at 10W to LED, CA title 20	
MOUNTING OPTIONS SEE PAGE 7 - 9	SLAT-1⁶	mounting hardware kit for 2 1/2" to 8 1/2" slat height,	
SIZE	24MB	mounting bars 24" set (extendable from 14" to 24")	
	48MB	mounting bars 48" set (extendable from 26" to 48")	
CONSTRUCTION	SF	single (1) fixture setup	
	CF	continuous run (2) fixture setup (fixture every 24" or 48")	

ADDITIONAL MOUNTING INFO	
New Construction Bar Hangers (included)	Mounting Length: 14-3/4" to 26"
Extension Kit p/n: K20266 (ordered separately, 1 per fixture)	Extends a pair of Bar Hangers Total Mounting Length: 29" to 48"

YOUR COMPLETED ORDERING CODE	
Follow the steps to specify your fixture, example:	
BETA - 6R - SW - 30LM - 35K - 80 - HE80 - WH - WH - UNV - DIM10 - EM7 - SLAT-1 - 24MB - SF	

NOTES

- HCL not available with lens. Multiplier: Delivered Lumens (0.78) / Beam Spread (0.80).
- NL option available for SS30/SS40/SS60/D40/D60/WH70.
- ELV1/LTE available in 120V.
- ELV1/LTE/LUT not available in 45LM.
- LUTP not available in 25LM/30LM/40LM/45LM.
- Refer page 8 for accurate values

* EldoLED uses logarithmic dimming curve as standard. For linear dimming curve, add "LIN" after dimming code, i.e., DIM10LIN.

* Order the Slat Ceiling mounting kit (shown above) for each Luminaire. Refer to page 2 for detailed dimensions.

alphabet

PROJECT INFORMATION		
JOB NAME		TYPE
ORDERING CODE		

ORDERING CODE		
SERIES	BETA	cylinder series
TYPE	6R	6" round
LED	SW	standard white
DELIVERED LUMENS	10LM	930 lm
	15LM	1380 lm
	20LM	1740 lm
	25LM	2160 lm
	30LM	2710 lm
	35LM	3090 lm
	40LM	3580 lm
Standard Configuration: 3000K 80CRI Calculated Delivered Lumens = [Delivered Lumen Value] x [CCT Multiplier]		
CCT	27K	2700K
	30K	3000K
	35K	3500K
	40K	4000K
CRI	80	80 CRI
	90	90 CRI
OPTIC & LM MULTIPLIER SEE PAGE 4	S10	10° specular with clear lens
TIR OPTIC ACCESSORY SEE PAGE 4	HCL ¹	honeycomb louver
BEZEL LENS SEE PAGE 4	NL ²	no lens
FINISH SEE PAGE 4	BK	black
	WH	white
	MC	matte chrome
	CC	custom color, consult factory for details
BEZEL COLOR SEE PAGE 4	BK	black
	WH	white
	MC	matte chrome
	BZ	bronze
	WT	wheat
	CC	custom color, consult factory for details

ORDERING CODE		
MOUNTING OPTIONS SEE PAGE 7 - 9	SLAT-1	mounting hardware kit for 2 1/2" to 8 1/2" slat height
VOLTAGE	120	120V
	UNV	120V-277V
DIMMING	DIM10	eldoLED flicker free 0-10V dimming to 1%
	DIM10Z	eldoLED flicker free 0-10V dimming to 0%
	DALI	eldoLED flicker free DALI 2 dimming to 1%
	DALIZ	eldoLED flicker free DALI 2 dimming to 0%
	DMXZ	DMX dim to zero
	LTE ^{3,4}	Lutron Hi-lume 2-Wire (Triac) dimming to 1%
	LUT ⁴	Lutron Hi-lume Ecosystem dimming to 1%, Soft-on & Fade-to-Black
ELECTRICAL OPTIONS	LUTP ⁵	Lutron Hi-lume Premier Ecosystem dimming to 0.1%, Soft-on & Fade-to-Black
	ELV1 ^{3,4}	leading & trailing edge (Triac/ELV) dimming to 1%
	CAS	Casambi Bluetooth control with flicker free 1% dimming
SIZE	EM7	remote emergency battery backup, 90 minutes at 7 watts to LED
	EM12	remote emergency battery backup, 90 minutes at 12 watts to LED
	EM10CA20	remote emergency battery backup, 90 minutes at 10W to LED, CA title 20
CONSTRUCTION	24MB	mounting bars 24" set (extendable from 14" to 24")
	48MB	mounting bars 48" set (extendable from 26" to 48")
CONSTRUCTION	SF	single (1) fixture setup
	CF	continuous run (2) fixture setup (fixture every 24" or 48")

ADDITIONAL MOUNTING INFO	
New Construction Bar Hangers (included)	Mounting Length: 14-3/4" to 26"
Extension Kit p/n: K20266 (ordered separately, 1 per fixture)	Extends a pair of Bar Hangers Total Mounting Length: 29" to 48"

YOUR COMPLETED ORDERING CODE
Follow the steps to specify your fixture, example:
BETA - 6R - SW - 30LM - 35K - 80 - S10 - WH - WH - UNV - DIM10 - EM7 - SLAT-1 - 24MB - SF

NOTES

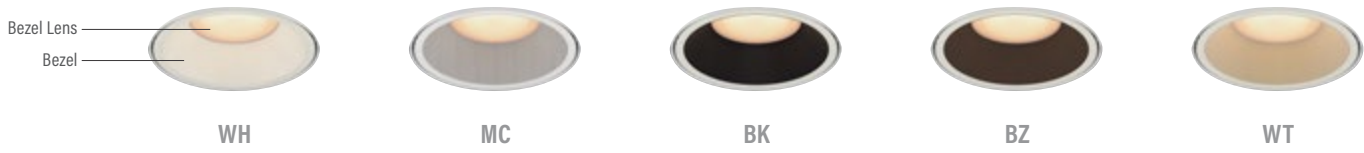
- HCL not available with lens. Multiplier: Delivered Lumens (0.78) / Beam Spread (0.80).
- ELV1/LTE available in 120V.
- LUTP not available in 25LM/30LM/40LM.

alphabet

PROJECT INFORMATION		
JOB NAME		TYPE
ORDERING CODE		

TRIM OPTIONS

TRIM/BEZEL COLORS



OPTICAL OPTIONS

- UGR calculation based on CIE 117-1995; room size: 4H X 8H, reflectance: 70/50/20;
- UGR calculation based on 15LM fixtures.



OPTIC	BEAM ANGLE	UGR
S10	9	11.9
SS30	33	11.8
SS40	36	13.8
SS50	48	14.2
D30	32	11
D60	61	15.6
WH75	75	18.5



OPTIC	BEAM ANGLE	UGR
HE40	40	15.9
HE60	58	18.4
HE80	82	20.8

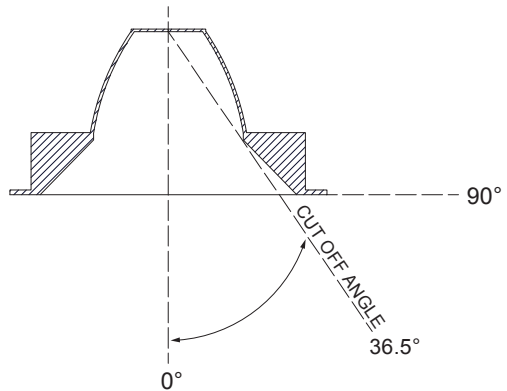
GLARE CONTROL

CUT-OFF ANGLE

Visual comfort is achieved with a lower cut-off angle due to improved glare control. The smaller the cut-off angle, the easier it is on the eye.

Alphabet downlights have been thoughtfully engineered to eliminate glare while still delivering functional illumination.

- Cutoff angle of NL and CL is 36.5 degrees



PROJECT INFORMATION		
JOB NAME		TYPE
ORDERING CODE		

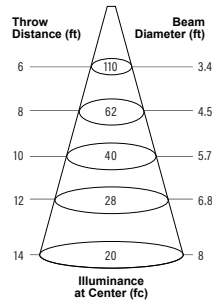
PHOTOMETRIC DATA

20LM CCT MULTIPLIERS

	80CRI	90CRI
2700K	0.96	0.81
3000K	1	0.85
3500K	1.03	0.88
4000K	1.06	0.91

FC Formula = CBCP / Distance²

D30 32° DIFFUSED WITH CLEAR LENS



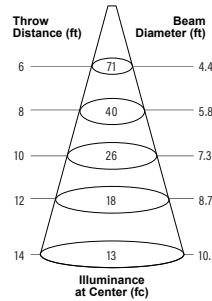
WATTS: 14.3 LPW: 113.3

LUMENS: 1620 CCT: 3000K

INTENSITY

DEGREE	CANDELA
0	3978
5	3698
15	2127
25	943
35	332
45	33

HE40 40° HIGH EFFICIENCY DIFFUSED LENS



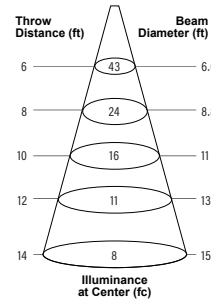
WATTS: 14.3 LPW: 115.1

LUMENS: 1646 CCT: 3000K

INTENSITY

DEGREE	CANDELA
0	2566
5	2450
15	1714
25	916
35	454
45	207

HE60 58° HIGH EFFICIENCY DIFFUSED LENS



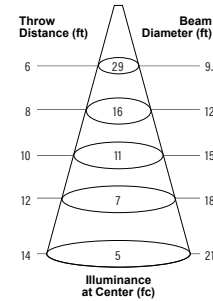
WATTS: 14.3 LPW: 115.7

LUMENS: 1654 CCT: 3000K

INTENSITY

DEGREE	CANDELA
0	1566
5	1533
15	1294
25	928
35	574
45	303

WH75 75° BRILLIANT WHITE WITH CLEAR LENS



WATTS: 14.3 LPW: 108.3

LUMENS: 1549 CCT: 3000K

INTENSITY

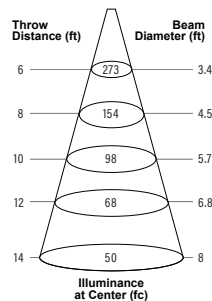
DEGREE	CANDELA
0	1056
5	1049
15	1004
25	928
35	691
45	248

45LM CCT MULTIPLIERS

	80CRI	90CRI
2700K	0.96	0.81
3000K	1	0.85
3500K	1.03	0.88
4000K	1.06	0.91

FC Formula = CBCP / Distance²

D30 32° DIFFUSED WITH CLEAR LENS



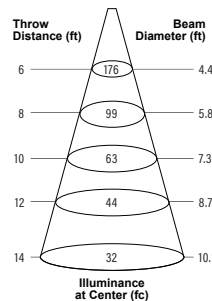
WATTS: 39.9 LPW: 100.4

LUMENS: 4007 CCT: 3000K

INTENSITY

DEGREE	CANDELA
0	9842
5	9150
15	5262
25	2334
35	822
45	83

HE40 40° HIGH EFFICIENCY DIFFUSED LENS



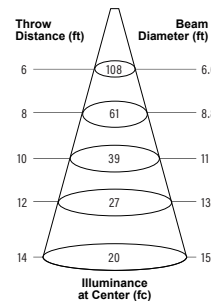
WATTS: 39.9 LPW: 102.1

LUMENS: 4073 CCT: 3000K

INTENSITY

DEGREE	CANDELA
0	6348
5	6062
15	4241
25	2266
35	1122
45	512

HE60 58° HIGH EFFICIENCY DIFFUSED LENS



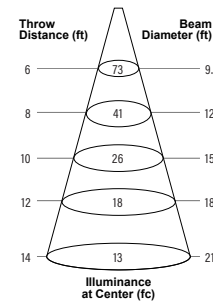
WATTS: 39.9 LPW: 102.6

LUMENS: 4092 CCT: 3000K

INTENSITY

DEGREE	CANDELA
0	3874
5	3792
15	3203
25	2296
35	1421
45	749

WH75 75° BRILLIANT WHITE WITH CLEAR LENS



WATTS: 39.9 LPW: 96.1

LUMENS: 3833 CCT: 3000K

INTENSITY

DEGREE	CANDELA
0	2612
5	2595
15	2483
25	2295
35	1710
45	614

alphabet

PROJECT INFORMATION		
JOB NAME		TYPE
ORDERING CODE		

PHOTOMETRIC DATA

20LM CCT MULTIPLIERS		
	80CRI	90CRI
2700K	0.96	0.81
3000K	1	0.85
3500K	1.03	0.88
4000K	1.06	0.91
FC Formula = CBCP / Distance ²		

S10-NL 9° SPECULAR WITH NO LENS	
WATTS: 16.3	LPW: 106.7
LUMENS: 1739	CCT: 3000K
INTENSITY	
DEGREE	CANDELA
0	30376
5	13562
15	771
25	628
35	485
45	11

S10 9° SPECULAR WITH CLEAR LENS	
WATTS: 16.3	LPW: 98.2
LUMENS: 1600	CCT: 3000K
INTENSITY	
DEGREE	CANDELA
0	27944
5	12477
15	709
25	578
35	446
45	10

40LM CCT MULTIPLIERS		
	80CRI	90CRI
2700K	0.96	0.81
3000K	1	0.85
3500K	1.03	0.88
4000K	1.06	0.91
FC Formula = CBCP / Distance ²		

S10-NL 9° SPECULAR WITH NO LENS	
WATTS: 40.8	LPW: 87.7
LUMENS: 3576	CCT: 3000K
INTENSITY	
DEGREE	CANDELA
0	62460
5	27887
15	1586
25	1292
35	998
45	22

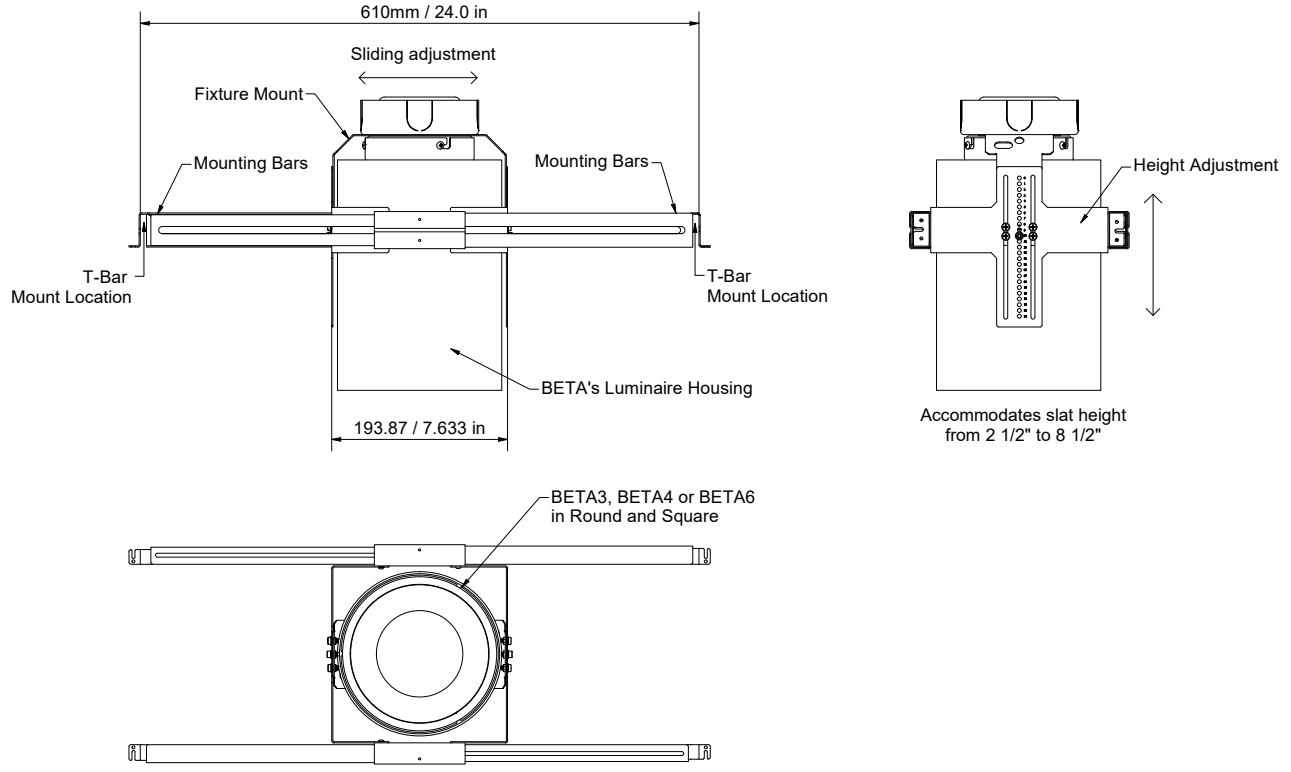
S10 9° SPECULAR WITH CLEAR LENS	
WATTS: 40.8	LPW: 80.6
LUMENS: 3290	CCT: 3000K
INTENSITY	
DEGREE	CANDELA
0	57461
5	25655
15	1459
25	1189
35	918
45	20

alphabet

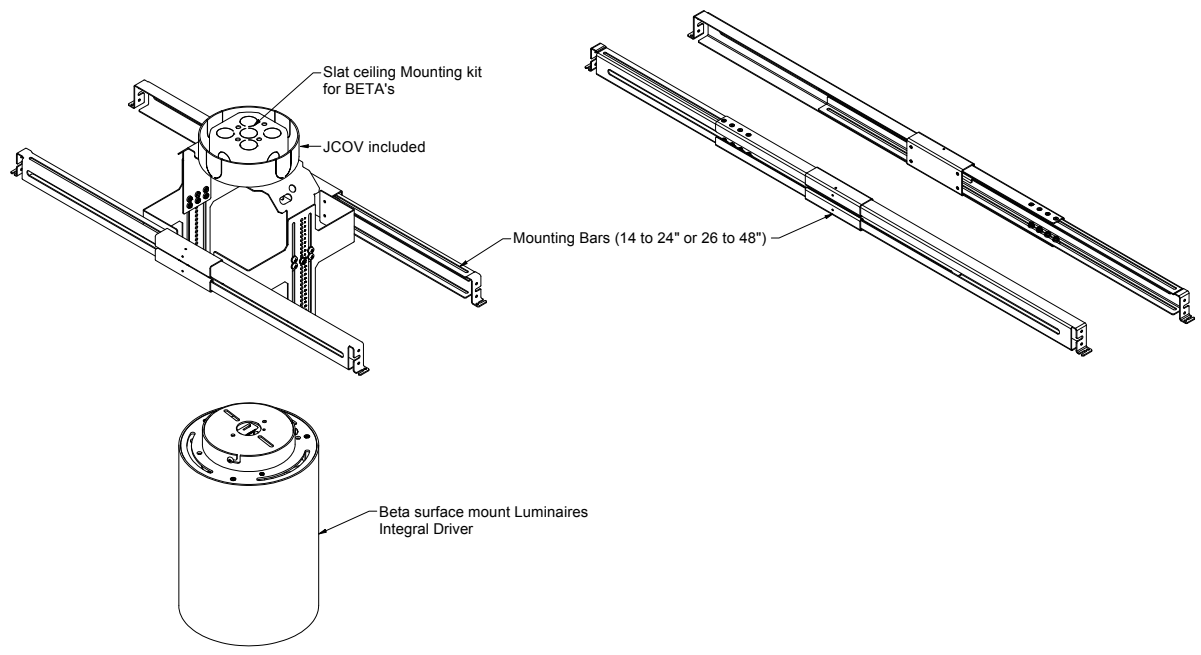
PROJECT INFORMATION		
JOB NAME		TYPE
ORDERING CODE		

MOUNTING OPTIONS

FUNCTIONALITY



COMPONENTS

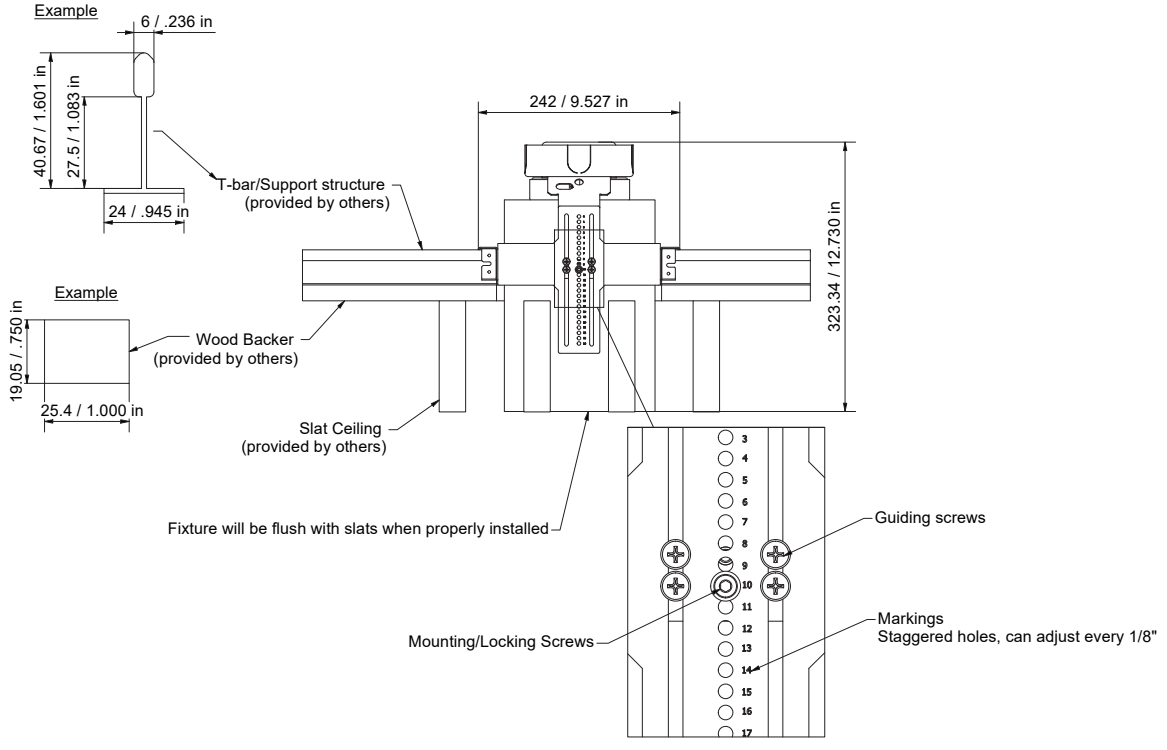


alphabet

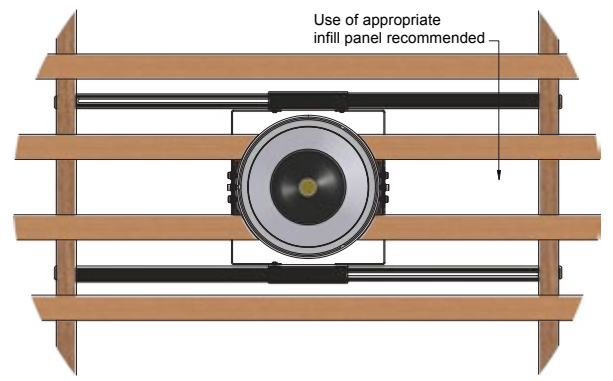
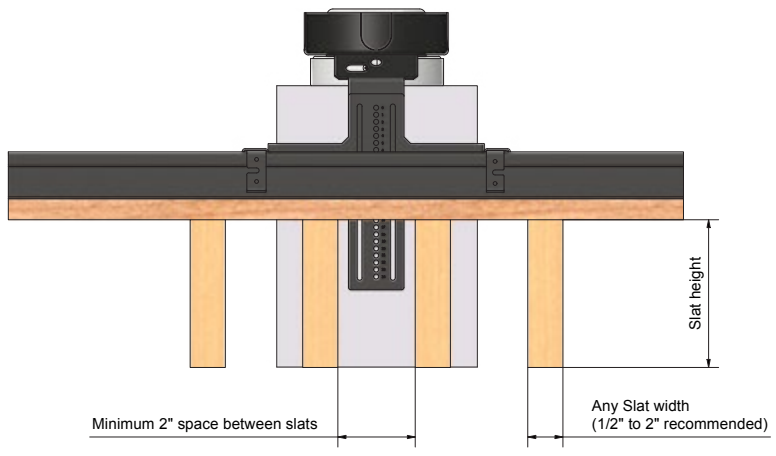
PROJECT INFORMATION		
JOB NAME		TYPE
ORDERING CODE		

MOUNTING OPTIONS

CONSTRUCTION & MOUNTING



SPECIFICATIONS



LIMITATIONS

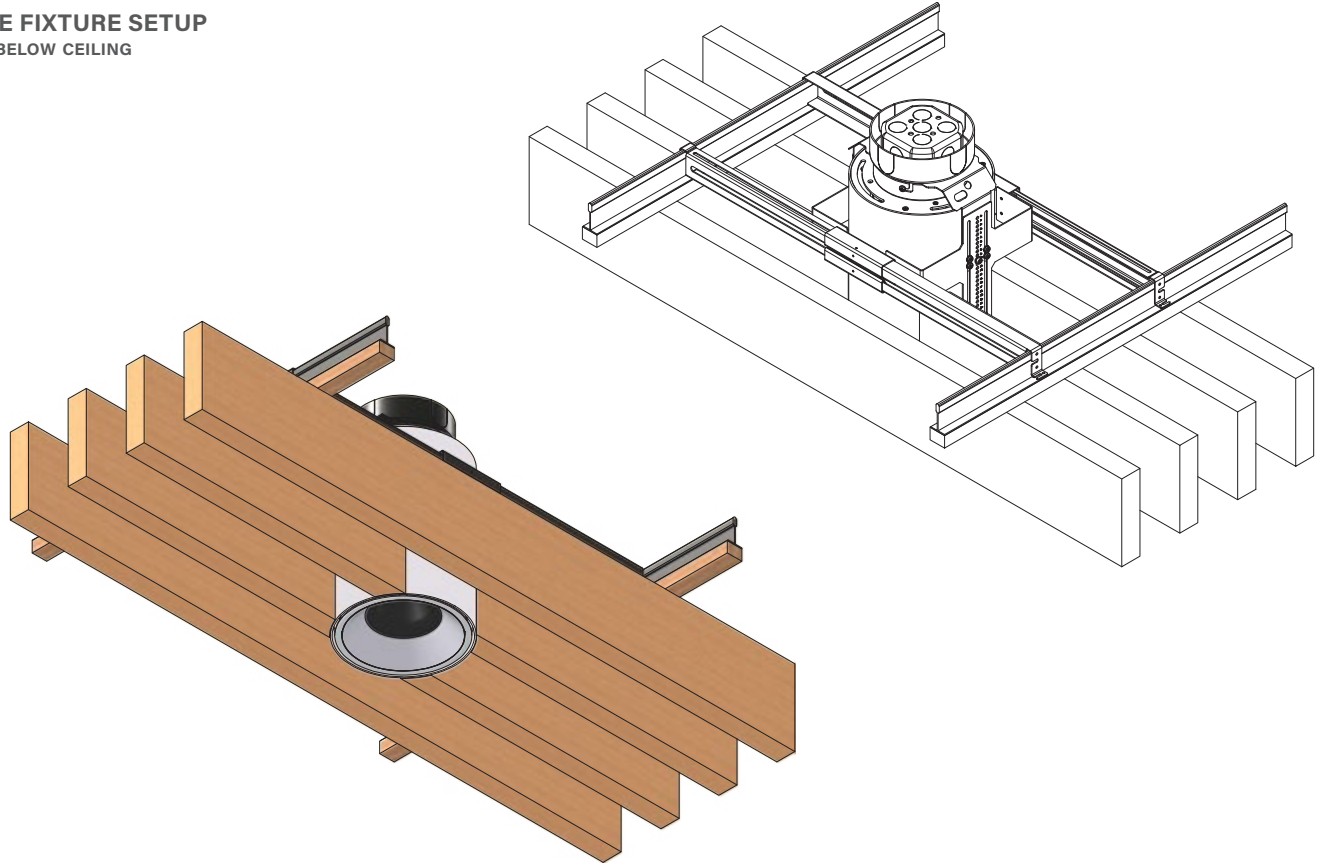
FIXTURE TYPE	SLAT HEIGHT	SLAT HOLE CUT SIZE RECOMMENDED
BETA3	2½" - 7"	3⅝" - 3¾"
BETA4	2½" - 8"	4⅞" - 5"
BETA6	3" - 8½"	7¼" - 7½"

alphabet

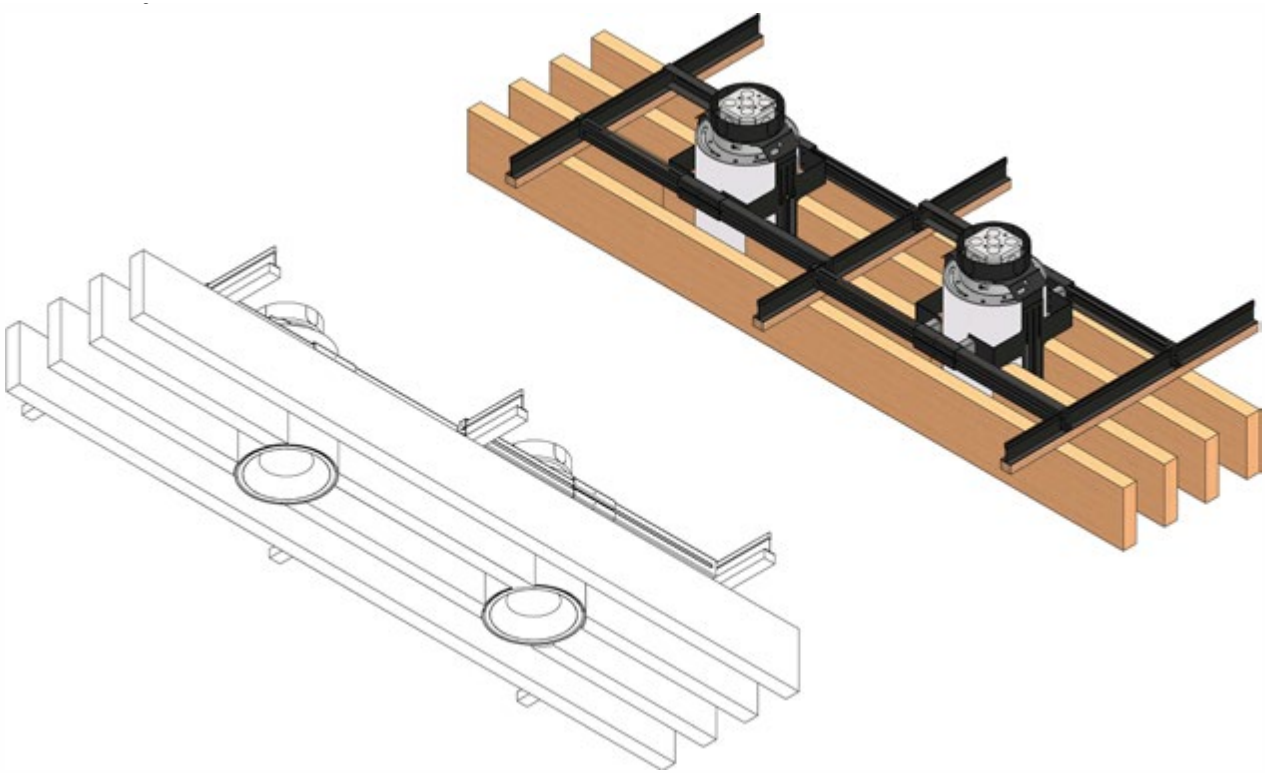
PROJECT INFORMATION		
JOB NAME		TYPE
ORDERING CODE		

MOUNTING OPTIONS

SF - SINGLE FIXTURE SETUP APPEARANCE BELOW CEILING



CF - CONTINUOUS RUN TWO FIXTURE SETUP (FIXTURES EVERY 24") APPEARANCE BELOW CEILING



PROJECT INFORMATION		
JOB NAME		TYPE
ORDERING CODE		

BATTERY OPTIONS

EMERGENCY BATTERY

IOTA's ILB battery backups are UL Listed LED emergency drivers that allow the same LED fixture to be used for both normal and emergency operation. In the event of a power failure, the ILB switches to the emergency mode and operates the existing fixture for 90 minutes. The unit contains a battery, charger, and converter circuit in a single can. The constant power design of the ILB maintains the output wattage to the LED array even as the system voltage diminishes. UL 924 Listed for U.S. and Canada. UL 1310 Certified, output class 2 compliant. Includes single-piece TBTS test switch and charge indicator accessory kit. For use with switched and unswitched fixtures, and includes two-wire universal AC input. Meets or exceeds all National Electric Code and Life Safety Code Emergency Lighting requirements. Rated for use in plenum, damp location, recessed type IC, and enclosed and gasketed luminaires.

REMOTE TEST SWITCH

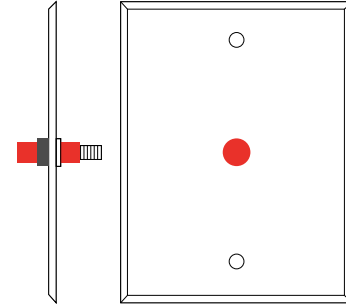
The remote test switch may be mounted adjacent to the LED Fixture by others.

EMERGENCY BATTERY ACCESS

Above ceiling access is recommended for ease of service.

REMOTE LOCATION

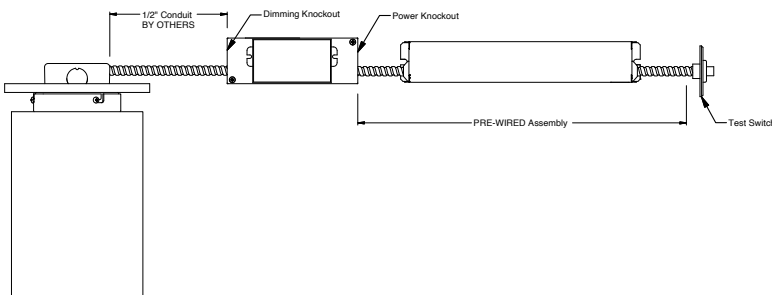
Maximum remote mounting distance of the emergency driver shall be 50 feet. Remote location wiring provided by others. Follow all local and national electric/building codes.



Remote Test Switch

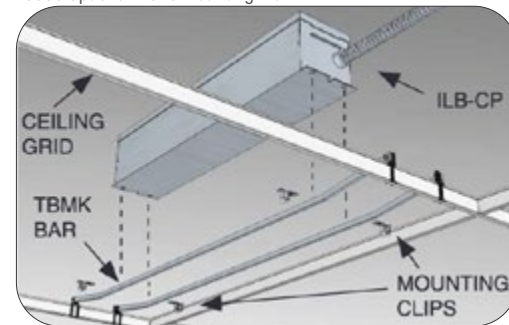
EM MODE OUTPUT (DELIVERED LUMENS)			
LUMEN ORDERING CODE	EM7	EM10	EM12
ALL OPTIONS (10LM TO 50LM)	850LM	1170LM	1400LM
Notes: Based on 30K, 80CRI			

REMOTE BATTERY



Accessory

76066 Optional T-Grid Mounting Kit¹



1. Can be used with any of the Emergency Battery Backups. Must be ordered as a separate line item.