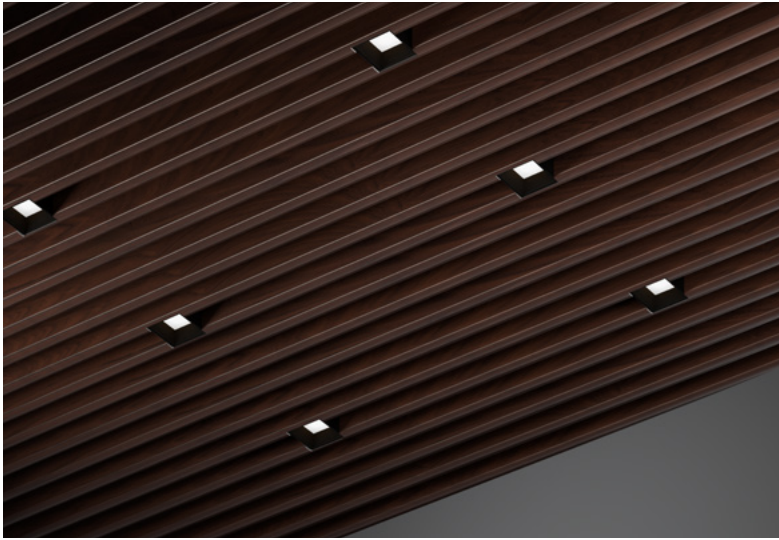


# alphabet

PROJECT INFORMATION		
JOB NAME		TYPE
ORDERING CODE		

## SLAT CEILING - BETA

4" Square Standard White



60° - 80° BEAM (Note: Specifications are subject to change without notice)		
14mm COB PERFORMANCE DATA		
LED LIGHT ENGINE	NOMINAL DELIVERED LUMENS	SYSTEM WATTAGE
10LM	1120LM @30K/80CRI	11W
15LM	1350LM @30K/80CRI	13W
20LM	1870LM @30K/80CRI	17W
25LM	2160LM @30K/80CRI	21W
30LM	2900LM @30K/80CRI	29W
35LM	3590LM @30K/80CRI	37W
10LM	950LM @30K/90CRI	11W
15LM	1150LM @30K/90CRI	13W
20LM	1590LM @30K/90CRI	17W
25LM	1840LM @30K/90CRI	21W
30LM	2470LM @30K/90CRI	29W
35LM	3050LM @30K/90CRI	37W
Notes	Delivered lumens based on WH80, 3000K (see page 2)	

### FEATURES

- Accommodates a wide range of vertical configuration (3" to 8-1/2")
- No restrictions on slat thickness
- Easy maintenance from below the ceiling, above ceiling access not required
- 60° - 80° beam spread
- UGR < 19
- Multiple mounting, glare control options and finishes available

### DIMMING AND CONTROLS

- Flicker free 0-10V dimming to 1%
- Leading & trailing edge (Triac/ELV) dimming to 1%
- Lutron Hi-lumen 2-Wire (Triac and Eco System) dimming to 0.1% and 1%
- Casambi bluetooth dimming to 1%

### CONSTRUCTION

- Mounting bar hangers available in 24" and 48" configuration
- Integral driver
- Accommodates slat heights from 2 1/2" to 8"
- 1/8" height adjustment
- Slat cutout by others
- Extruded aluminum housing
- Lexan™ (PC) Optimal connectivity for wireless control signal
- Impact and chemical resistant at the highest level

### LED

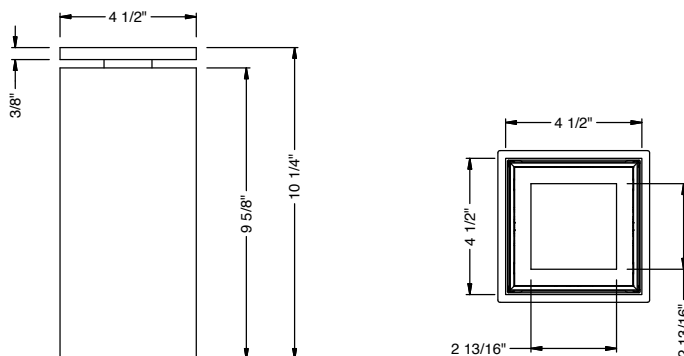
- 90 CRI: SDCM = 2-step MacAdam Ellipse, Lumen Maintenance: L<sub>70</sub> > 49,500 hrs
- 80 CRI: SDCM = 3-step MacAdam Ellipse, Lumen Maintenance: L<sub>70</sub> > 49,500 hrs

### LISTING

- ULus Listed to UL1598 & UL2108; cUL Listed to CSA C22.2 #250.0
- Suitable for dry and damp locations
- 5 Year Limited warranty

### ELECTRICAL

- 120V-277V, 120 only Triac / ELV
- Power factor ≥ 0.9
- 2kV driver input surge protection
- Remote emergency test switch
- 7 W, 10W (T20 CEC) and 12W EM 90min battery
- Low Voltage Luminaire option, see page 8.



# alphabet

PROJECT INFORMATION		
JOB NAME		TYPE
ORDERING CODE		

		ORDERING CODE	
<b>SERIES</b>	BETA	cylinder series	
<b>TYPE</b>	4Q	4" square	
<b>LED</b>	SW	standard white	
<b>DELIVERED LUMENS</b>	15LM	1200 lm	
	20LM	1680 lm	
	25LM	2000 lm	
	30LM	2520 lm	
	35LM <sup>1</sup>	3000 lm	
Standard Configuration: 3000K 80CRI WH80 Calculated Delivered Lumens = [Delivered Lumen Value] x [CCT Multiplier] x [Reflector Multiplier]			
<b>CCT</b>	27K	2700K	
	30K	3000K	
	35K	3500K	
<b>CRI</b>	80	80 CRI	
	90	90 CRI	
<b>OPTIC &amp; LM MULTIPLIER</b> SEE PAGE 3	HE60	60° high efficiency diffused lens (0.97)	
	HE70	70° high efficiency diffused lens (0.94)	
	HE80	80° high efficiency diffused lens (0.98)	
	D65	65° diffused with clear lens (0.98)	
	WH80	80° brilliant white with clear lens (1.00)	
<b>BEZEL LENS</b>	NL <sup>2</sup>	no lens	
<b>FINISH</b> SEE PAGE 3	BK	black	
	WH	white	
	MC	matte chrome	
	CC <sup>3</sup>	custom color, consult factory for details	
<b>BEZEL COLOR</b> SEE PAGE 3	BK	black (0.98)	
	WH	white (1.00)	
	MC	matte chrome (0.99)	
	WT	wheat (0.99)	
	BZ	bronze (0.99)	
	CC <sup>3</sup>	custom color, consult factory for details	

		ORDERING CODE	
<b>VOLTAGE</b>	120	120V	
	UNV	120V-277V	
	LVL <sup>4</sup>	low voltage luminaire	
<b>DIMMING</b>	DIM10	0-10V dimming to 1%	
	LUTP <sup>5</sup>	Lutron Hi-lume Premier Ecosystem dimming to 0.1%, Soft-on & Fade-to-Black	
	ELV1 <sup>6</sup>	leading & trailing edge (Triac/ELV) dimming to 1%	
	CAS	Casambi Bluetooth control with flicker free 1% dimming	
	ND	No Driver Included. Customer to Supply PoE system components or order remote driver separately. Refer to POE/Remote Driver reference sheet for additional details.	
<b>ELECTRICAL OPTIONS</b>	EM7	remote emergency battery backup, 90 minutes at 7 watts to LED	
	EM12	remote emergency battery backup, 90 minutes at 12 watts to LED	
	EM10CA20	remote emergency battery backup, 90 minutes at 10W to LED, CA title 20	
<b>MOUNTING OPTIONS</b> SEE PAGE 4	SLAT-1 <sup>7</sup>	mounting hardware kit for 2 1/2" to 8 1/2" slat height	
<b>SIZE</b>	24MB	mounting bars 24" set (extendable from 14" to 24")	
	48MB	mounting bars 48" set (extendable from 26" to 48")	
<b>CONSTRUCTION</b>	CF	continuous run (2) fixture setup (fixture every 24" or 48")	
	SF	single (1) fixture setup	

YOUR COMPLETED ORDERING CODE	
Follow the steps to specify your fixture, example:	
<b>BETA - 4Q - SW - 25LM - 35K - 80 - HE80 - WH - WH - UNV - DIM10 - EM7 - SLAT-1 - 24MB - SF</b>	

## NOTES

- 35LM not offered in 90 CRI.
- NL option available for D65/WH80.
- Custom set up fee plus minimum quantity required per color.
- Must select ND dimming code, for remote driver or POE specifications see page 8.
- LUTP available in 15LM/20LM.
- ELV1 available in 120V.
- Refer page 6 for accurate values

\* Order the Slat Ceiling mounting kit (shown above) for each Luminaire. Refer to page 2 for detailed dimensions.

## BEZEL OPTIONS

### BEZEL COLORS



# alphabet

PROJECT INFORMATION		
JOB NAME		TYPE
ORDERING CODE		

## PHOTOMETRIC DATA

20LM		
	80CRI	90CRI
2700K	0.96	0.81
3000K	1	0.85
3500K	1.03	0.88
4000K	1.06	0.91
FC Formula = CBCP / Distance <sup>2</sup>		

D65 69° DIFFUSED WITH CLEAR LENS	
Throw Distance (ft)	Beam Diameter (ft)
6	4.4
8	5.8
10	7.2
12	8.6
14	10.0
Illuminance at Center (fc)	
17.2 WATTS	104.2 LPW
1794 LUMENS	3000K CCT
INTENSITY	
DEGREE	CANDELA
0	1590
5	1569
15	1400
25	1119
35	775
45	174

HE60 67° HIGH EFFICIENCY DIFFUSED LENS	
Throw Distance (ft)	Beam Diameter (ft)
6	3.8
8	5.1
10	6.4
12	7.7
14	9.0
Illuminance at Center (fc)	
17.2 WATTS	103.5 LPW
1782 LUMENS	3000K CCT
INTENSITY	
DEGREE	CANDELA
0	1384
5	1362
15	1200
25	946
35	653
45	327

HE80 85° HIGH EFFICIENCY DIFFUSED LENS	
Throw Distance (ft)	Beam Diameter (ft)
6	2.7
8	3.6
10	4.5
12	5.4
14	6.3
Illuminance at Center (fc)	
17.2 WATTS	102.5 LPW
1764 LUMENS	3000K CCT
INTENSITY	
DEGREE	CANDELA
0	956
5	950
15	903
25	809
35	656
45	408

WH80 80° BRILLIANT WHITE WITH CLEAR LENS	
Throw Distance (ft)	Beam Diameter (ft)
6	3.0
8	4.0
10	5.0
12	6.0
14	7.0
Illuminance at Center (fc)	
17.2 WATTS	108.4 LPW
1866 LUMENS	3000K CCT
INTENSITY	
DEGREE	CANDELA
0	1085
5	1082
15	1050
25	977
35	843
45	312

35LM		
	80CRI	90CRI
2700K	0.96	0.81
3000K	1	0.85
3500K	1.03	0.88
4000K	1.06	0.91
FC Formula = CBCP / Distance <sup>2</sup>		

D65 69° DIFFUSED WITH CLEAR LENS	
Throw Distance (ft)	Beam Diameter (ft)
6	8.5
8	11.3
10	14.2
12	17.0
14	19.8
Illuminance at Center (fc)	
37.1 WATTS	92.9 LPW
3448 LUMENS	3000K CCT
INTENSITY	
DEGREE	CANDELA
0	3057
5	3015
15	2691
25	2151
35	1489
45	335

HE60 67° HIGH EFFICIENCY DIFFUSED LENS	
Throw Distance (ft)	Beam Diameter (ft)
6	7.4
8	9.9
10	12.4
12	14.9
14	17.4
Illuminance at Center (fc)	
37.1 WATTS	92.3 LPW
3426 LUMENS	3000K CCT
INTENSITY	
DEGREE	CANDELA
0	2661
5	2619
15	2307
25	1818
35	1255
45	628

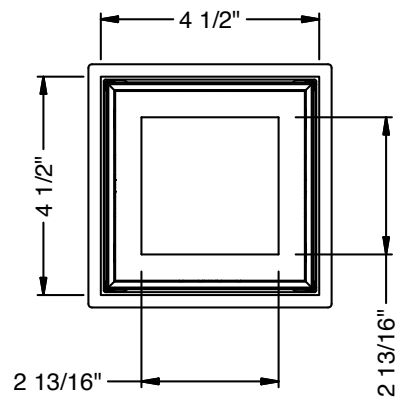
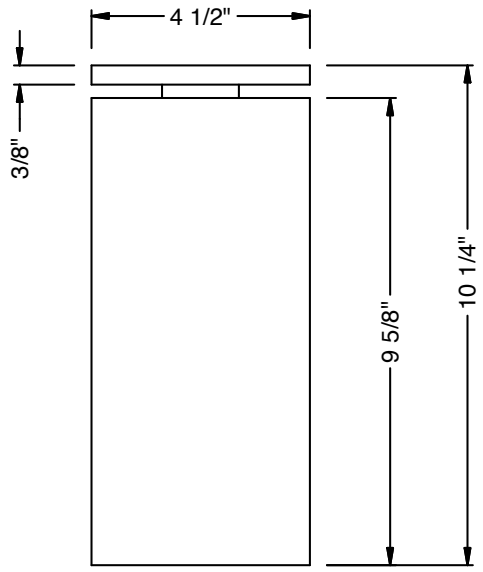
HE80 85° HIGH EFFICIENCY DIFFUSED LENS	
Throw Distance (ft)	Beam Diameter (ft)
6	5.1
8	6.8
10	8.5
12	10.2
14	11.9
Illuminance at Center (fc)	
37.1 WATTS	91.4 LPW
3391 LUMENS	3000K CCT
INTENSITY	
DEGREE	CANDELA
0	1838
5	1827
15	1736
25	1554
35	1261
45	785

WH80 80° BRILLIANT WHITE WITH CLEAR LENS	
Throw Distance (ft)	Beam Diameter (ft)
6	5.8
8	7.7
10	9.6
12	11.5
14	13.4
Illuminance at Center (fc)	
37.1 WATTS	96.7 LPW
3587 LUMENS	3000K CCT
INTENSITY	
DEGREE	CANDELA
0	2086
5	2079
15	2019
25	1877
35	1620
45	600

# alphabet

PROJECT INFORMATION			
JOB NAME		TYPE	
ORDERING CODE			

## MOUNTING OPTIONS

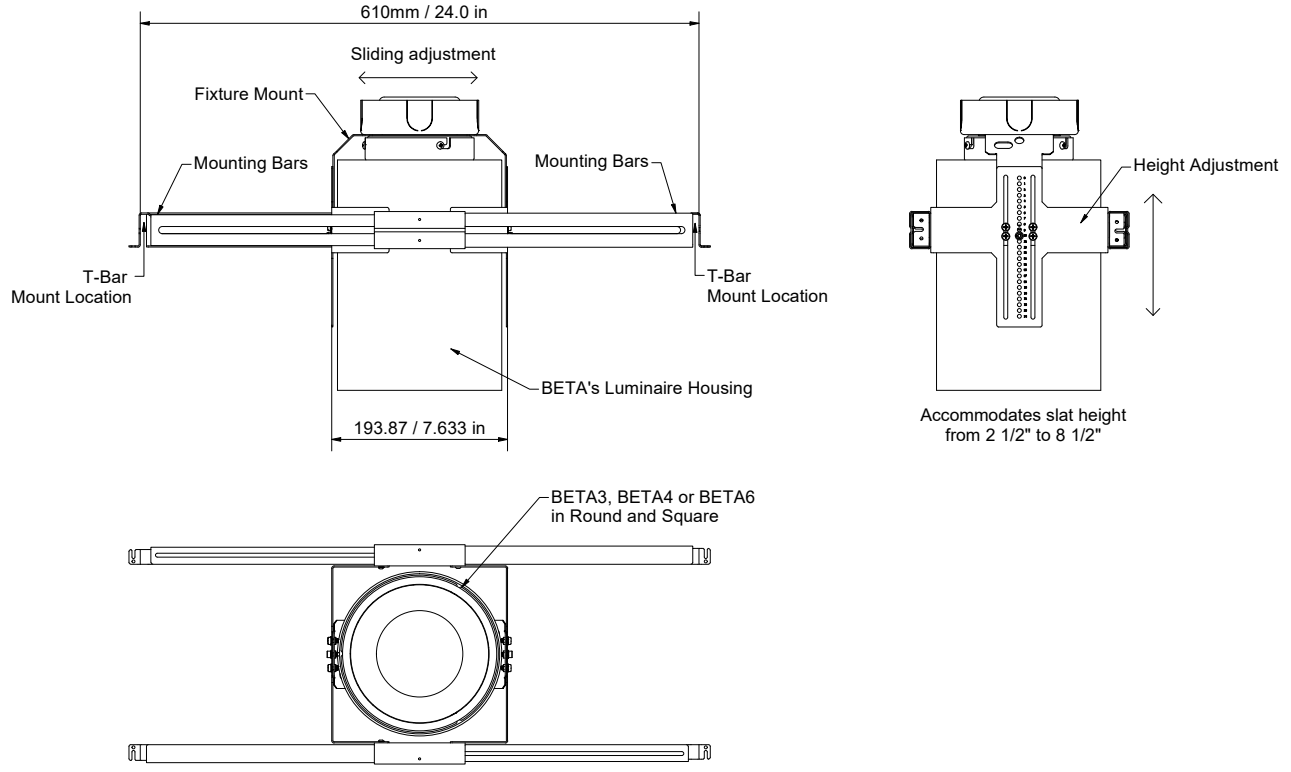


# alphabet

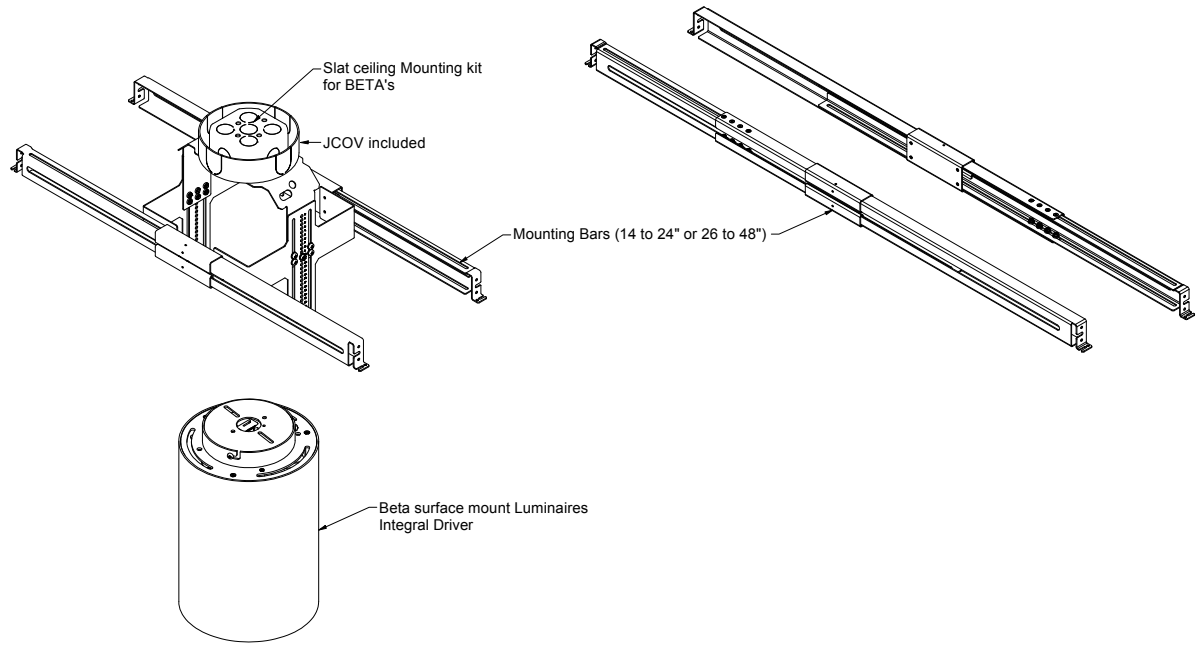
PROJECT INFORMATION		
JOB NAME		TYPE
ORDERING CODE		

## MOUNTING OPTIONS

### FUNCTIONALITY



### COMPONENTS

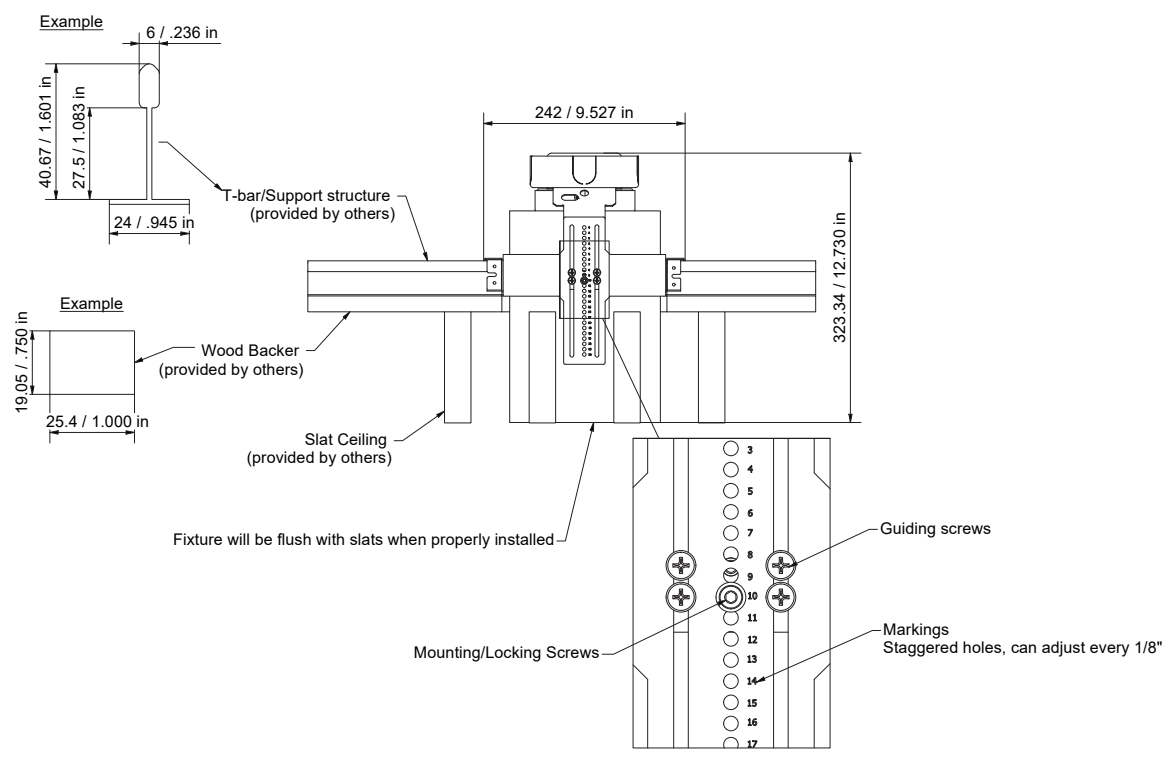


# alphabet

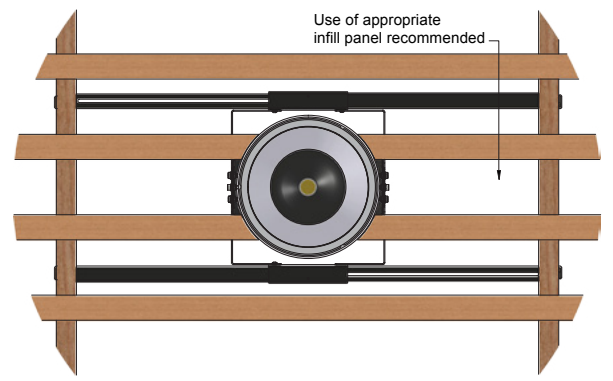
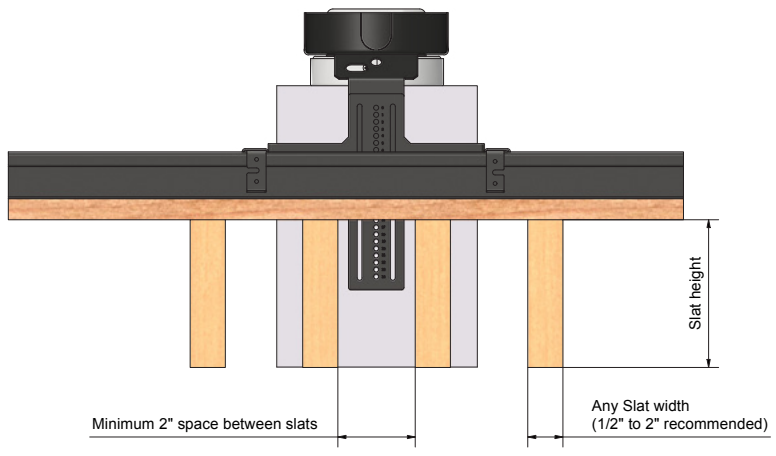
PROJECT INFORMATION		
JOB NAME		TYPE
ORDERING CODE		

## MOUNTING OPTIONS

### CONSTRUCTION & MOUNTING



### SPECIFICATIONS



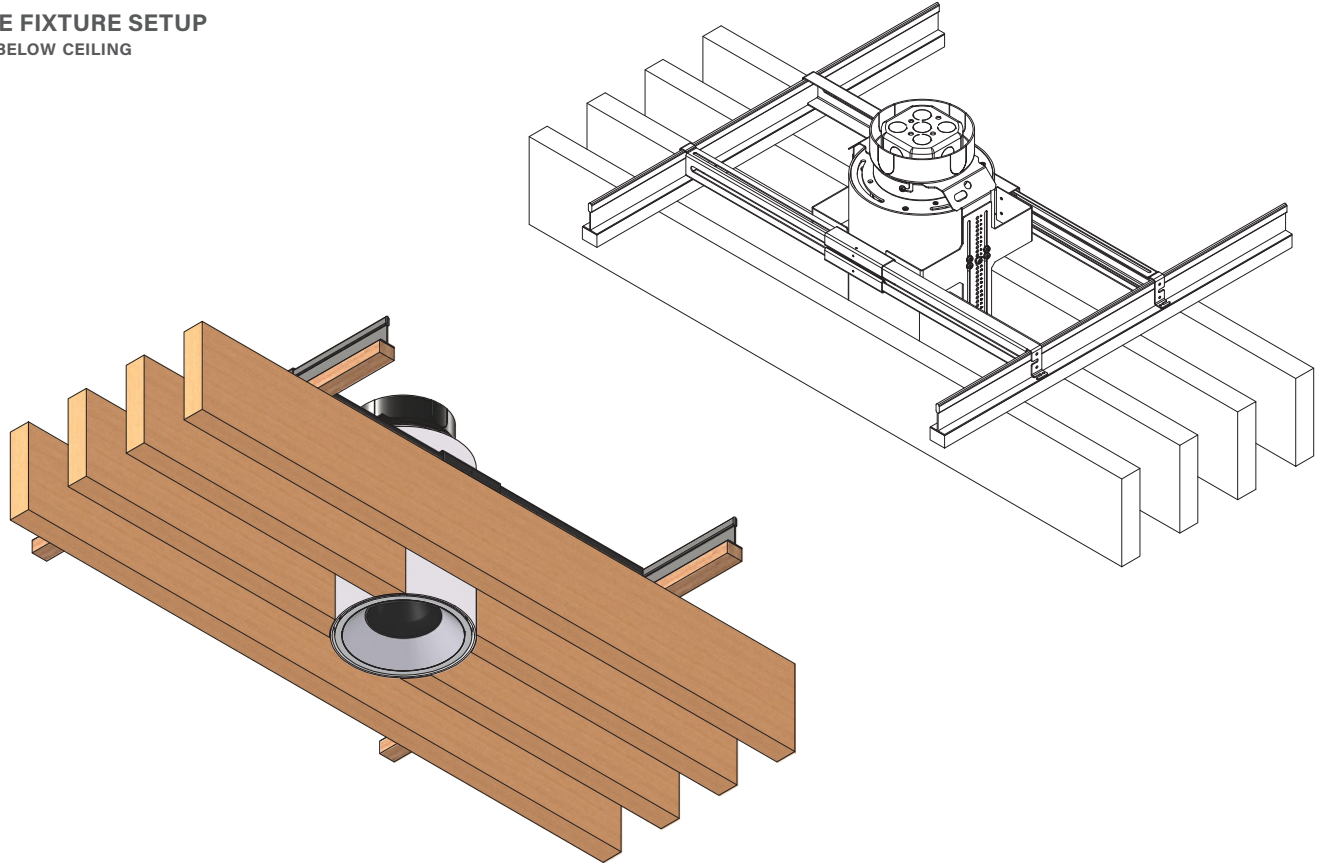
### LIMITATIONS

FIXTURE TYPE	SLAT HEIGHT	SLAT HOLE CUT SIZE RECOMMENDED
BETA3	2½" - 7"	3⅝" - 3¾"
BETA4	2½" - 8"	4⅞" - 5"
BETA6	3" - 8½"	7¼" - 7½"

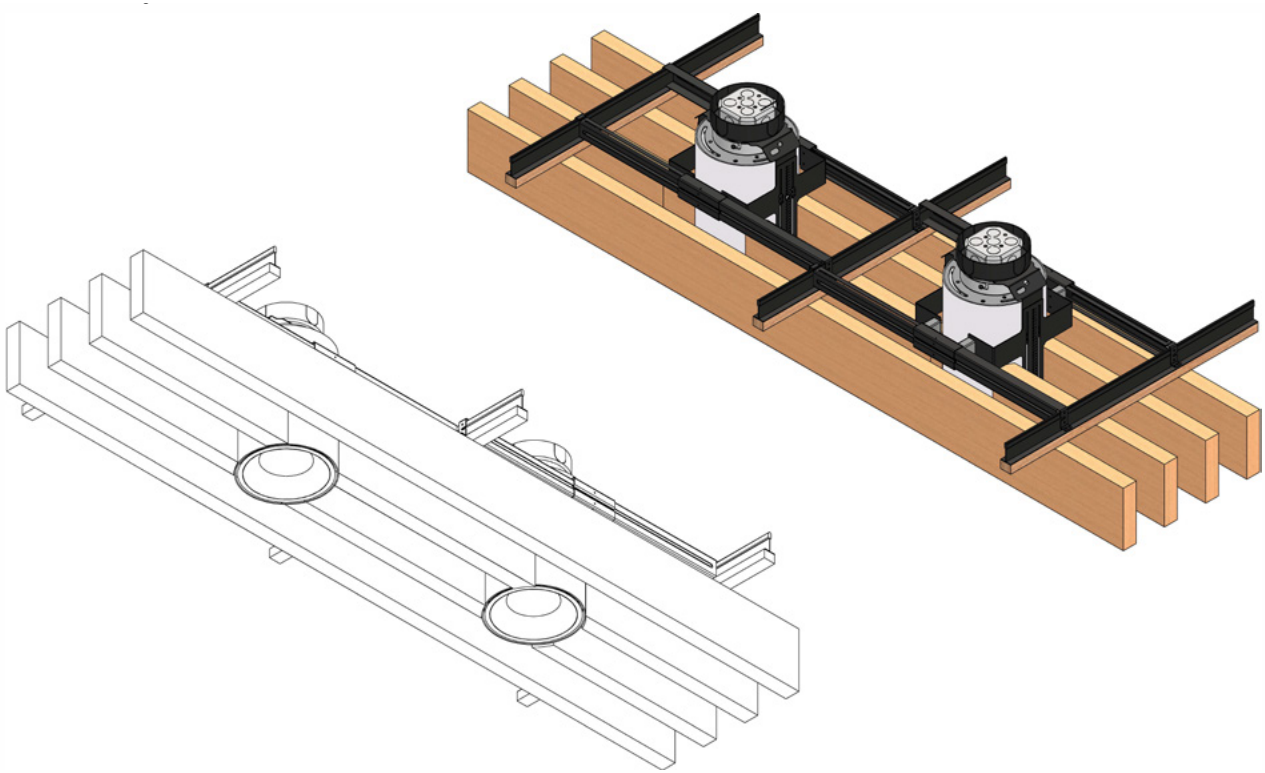
PROJECT INFORMATION		
JOB NAME		TYPE
ORDERING CODE		

## MOUNTING OPTIONS

### SF - SINGLE FIXTURE SETUP APPEARANCE BELOW CEILING



### CF - CONTINUOUS RUN TWO FIXTURE SETUP (FIXTURES EVERY 24") APPEARANCE BELOW CEILING



PROJECT INFORMATION		
JOB NAME		TYPE
ORDERING CODE		

## LOW VOLTAGE OPTIONS

### 60° - 80° BEAM

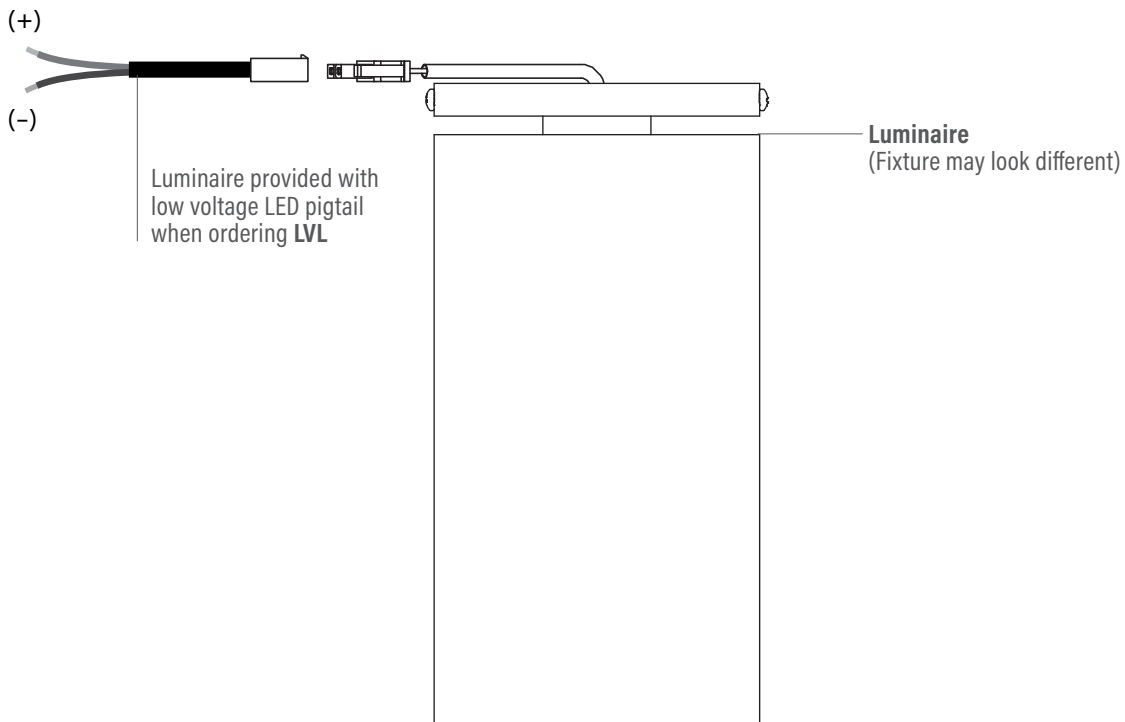
(Note: Specifications are subject to change without notice)

#### 14mm COB PERFORMANCE DATA

LED LIGHT ENGINE	NOMINAL DELIVERED LUMENS	DRIVE CURRENT	LED WATTAGE
10LM	1120LM @30K/80CRI	250mA	9W
15LM	1350LM @30K/80CRI	300mA	11W
20LM	1870LM @30K/80CRI	425mA	15.5W
25LM	2160LM @30K/80CRI	525mA	19W
30LM	2900LM @30K/80CRI	650mA	23.5W
35LM	3590LM @30K/80CRI	750mA	27W
10LM	950LM @30K/90CRI	250mA	9W
15LM	1150LM @30K/90CRI	300mA	11W
20LM	1590LM @30K/90CRI	425mA	15.5W
25LM	1840LM @30K/90CRI	525mA	19W
30LM	2470LM @30K/90CRI	650mA	23.5W
35LM	3050LM @30K/90CRI	750mA	27W
Notes	Delivered lumens based on WH80, 3000K (see page 2)		

## NOMINAL LED VOLTAGE: 36VDC

Customer to order CC Remote Driver separately or POE Node by others.





PROJECT INFORMATION		
JOB NAME		TYPE
ORDERING CODE		

## BATTERY OPTIONS

### EMERGENCY BATTERY

IOTA's ILB battery backups are UL Listed LED emergency drivers that allow the same LED fixture to be used for both normal and emergency operation. In the event of a power failure, the ILB switches to the emergency mode and operates the existing fixture for 90 minutes. The unit contains a battery, charger, and converter circuit in a single can. The constant power design of the ILB maintains the output wattage to the LED array even as the system voltage diminishes. UL 924 Listed for U.S. and Canada. UL 1310 Certified, output class 2 compliant. Includes single-piece TBTS test switch and charge indicator accessory kit. For use with switched and unswitched fixtures, and includes two-wire universal AC input. Meets or exceeds all National Electric Code and Life Safety Code Emergency Lighting requirements. Rated for use in plenum, damp location, recessed type IC, and enclosed and gasketed luminaires.

### REMOTE TEST SWITCH

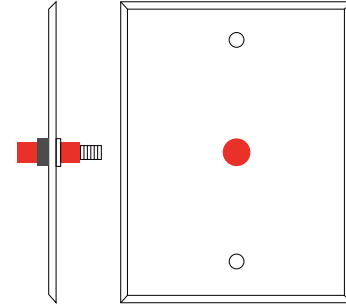
The remote test switch may be mounted adjacent to the LED Fixture by others.

### EMERGENCY BATTERY ACCESS

Above ceiling access is recommended for ease of service.

### REMOTE LOCATION

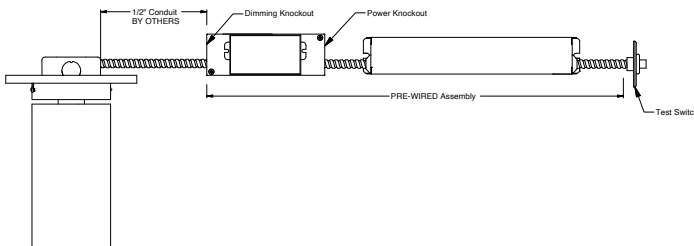
Maximum remote mounting distance of the emergency driver shall be 50 feet. Remote location wiring provided by others. Follow all local and national electric/building codes.



Remote Test Switch

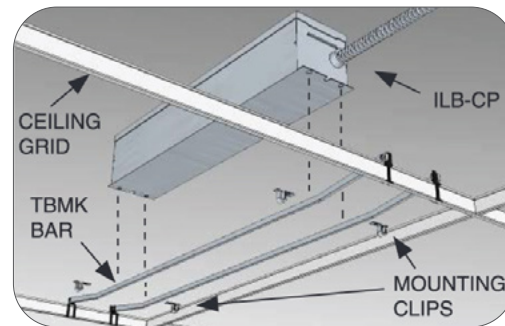
EM MODE OUTPUT (DELIVERED LUMENS)			
LUMEN ORDERING CODE	EM7	EM10	EM12
ALL OPTIONS (10LM TO 35LM)	800LM	1120LM	1350LM
Notes: Based on 30K, 80CRI			

### REMOTE BATTERY



### Accessory

#### 76066 Optional T-Grid Mounting Kit



1. Can be used with any of the Emergency Battery Backups. Must be ordered as a separate line item.