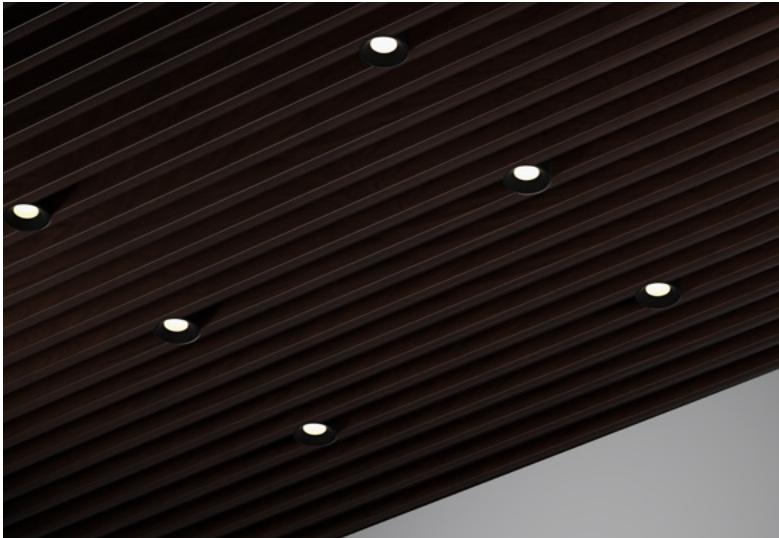


alphabet

PROJECT INFORMATION		
JOB NAME		TYPE
ORDERING CODE		

SLAT CEILING - BETA

4" Cylinder Standard White



20° - 65° BEAM (Note: Specifications are subject to change without notice)		
14mm COB PERFORMANCE DATA		
LED LIGHT ENGINE	NOMINAL DELIVERED LUMENS	SYSTEM WATTAGE
10LM	990LM @30K/80CRI	9W
15LM	1485LM @30K/80CRI	12W
20LM	2095LM @30K/80CRI	17W
25LM	2540LM @30K/80CRI	21W
30LM	3090LM @30K/80CRI	26W
35LM	3580LM @30K/80CRI	31W
10LM	840LM @30K/90/CRI	9W
15LM	1260LM @30K/90/CRI	12W
20LM	1780LM @30K/90/CRI	17W
25LM	2160LM @30K/90/CRI	21W
30LM	2620LM @30K/90/CRI	26W
35LM	3040LM @30K/90/CRI	31W
Notes	Delivered lumens based on 25D optic with no lens, (see page 2)	

12° BEAM (Note: Specifications are subject to change without notice)		
10mm COB PERFORMANCE DATA		
LED LIGHT ENGINE	NOMINAL DELIVERED LUMENS	SYSTEM WATTAGE
10LM	810LM @30K/80CRI	9W
15LM	1580LM @30K/80CRI	17W
20LM	2010LM @30K/80CRI	23W
10LM	690LM @30K/90CRI	9W
15LM	1340LM @30K/90CRI	17W
20LM	1710LM @30K/90CRI	23W
Notes	Delivered lumens based on 12D optic no lens, (see page 2)	

8° BEAM (Note: Specifications are subject to change without notice)		
6mm COB PERFORMANCE DATA		
LED LIGHT ENGINE	NOMINAL DELIVERED LUMENS	SYSTEM WATTAGE
10LM	790LM @30K/80CRI	12W
15LM	1250LM @30K/80CRI	20W
10LM	670LM @30K/90CRI	12W
15LM	1060LM @30K/90CRI	20W
Notes	Delivered lumens based on 8D optic no lens, (see page 2)	

FEATURES

- Accommodates a wide range of vertical configuration (3" to 8-1/2")
- No restrictions on slat thickness
- Easy maintenance from below the ceiling, above ceiling access not required
- 8° - 65° beam spread
- UGR < 19
- Multiple mounting, glare control options and finishes available

DIMMING AND CONTROLS

- Flicker free 0-10V dimming to 1%
- Leading & trailing edge (Triac/ELV) dimming to 1%
- Lutron Hi-lume premier ecosystem dimming to 1%
- Casambi bluetooth dimming to 1%

CONSTRUCTION

- Mounting bar hangers available in 24" and 48" configuration
- Integral driver
- Accommodates slat heights from 2 1/2" to 8"
- 1/8" height adjustment
- Slat cutout by others
- Extruded aluminum housing
- Lexan™ (PC) Optimal connectivity for wireless control signal
- Impact and chemical resistant at the highest level

LED

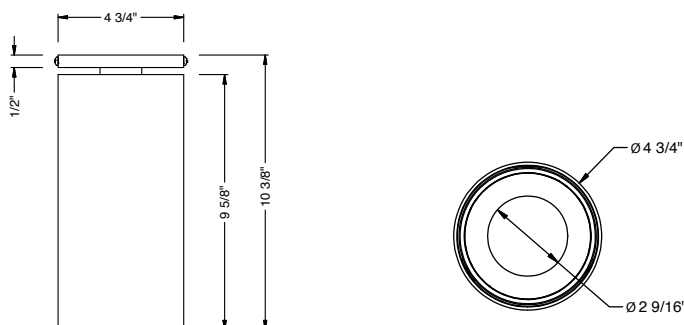
- 90 CRI: SDCM = 2-step MacAdam Ellipse, Lumen Maintenance: L₇₀ > 49,500 hrs
- 80 CRI: SDCM = 3-step MacAdam Ellipse, Lumen Maintenance: L₇₀ > 49,500 hrs

LISTING

- ULus Listed to UL1598 & UL2108; cUL Listed to CSA C22.2 #250.0
- Suitable for dry and damp locations
- 5 Year Limited warranty

ELECTRICAL

- 120V-277V, 120 only Triac / ELV
- Power factor ≥ 0.9
- 2kV driver input surge protection
- Remote emergency test switch
- 7 W, 10W (T20 CEC) and 12W EM 90min battery
- Low Voltage Luminaire option, see page 10.



alphabet

PROJECT INFORMATION		
JOB NAME		TYPE
ORDERING CODE		

ORDERING CODE		
SERIES	BETA	cylinder series
TYPE	4R	4" round
LED	SW	standard white
DELIVERED LUMENS	10LM	990 lm
	15LM	1485 lm
	20LM	2095 lm
	25LM	2540 lm
	30LM	3090 lm
	35LM	3580 lm
	Standard Configuration: 3000K 80CRI, 25D, NL Calculated Delivered Lumens = [Delivered Lumen Value] x [CCT Multiplier] x [Reflector Multiplier]	
CCT	27K	2700K
	30K	3000K
	35K	3500K
	40K	4000K
CRI	80	80 CRI
	90	90 CRI
OPTIC & LM MULTIPLIER SEE PAGE 3	8D¹	8 degrees (1.00)
	12D¹	12 degrees (1.00)
	20D	20 degrees (0.99)
	25D	25 degrees (1.00)
	35D	35 degrees (0.99)
	50D	50 degrees (0.99)
	65D	65 degrees (0.99)
BEZEL LENS SEE PAGE 3	NL	no lens
	CL	clear lens
	DL	diffused lens
	E²	elliptical beam spread
	HCL³	honeycomb louver
	HET	high efficiency textured lens, similar to Solite™
FINISH SEE PAGE 3	BK	black (0.98)
	WH	white (1.00)
	MC	matte chrome (0.99)
	CC⁴	custom color, consult factory for details
BEZEL COLOR SEE PAGE 3	BK	black (0.98)
	WH	white (1.00)
	MC	matte chrome (0.99)
	BZ	bronze (0.99)
	WT	wheat (0.99)
CC⁴	custom color, consult factory for details	

ORDERING CODE		
VOLTAGE	120	120V
	UNV	120V-277V
	LVL⁵	low voltage luminaire
DIMMING	DIM10	0-10V dimming to 1%
	LUTP⁶	Lutron Hi-lume Premier Ecosystem dimming to 0.1%, Soft-on & Fade-to-Black
	ELVI⁷	leading & trailing edge (Triac/ELV) dimming to 1%
	CAS	Casambi Bluetooth control with flicker free 1% dimming
	ND	No Driver Included. Customer to Supply PoE system components or order remote driver separately. Refer to POE/Remote Driver reference sheet for additional details.
ELECTRICAL OPTIONS	EM7	remote emergency battery backup, 90 minutes at 7 watts to LED
	EM12	remote emergency battery backup, 90 minutes at 12 watts to LED
	EM10CA20	remote emergency battery backup, 90 minutes at 10W to LED, CA title 20
MOUNTING OPTIONS SEE PAGE 7	SLAT-1⁸	mounting hardware kit for 2 1/2" to 8 1/2" slat height
SIZE	24MB	mounting bars 24" set (extendable from 14" to 24")
	48MB	mounting bars 48" set (extendable from 26" to 48")
CONSTRUCTION	SF	single (1) fixture setup
	CF	continuous run (2) fixture setup (fixture every 24" or 48")

YOUR COMPLETED ORDERING CODE	
Follow the steps to specify your fixture, example:	
BETA - 4R - SW - 25LM - 35K - 80 - 20D - NL - WH - WH - UNV - DIM10 - EM7 - SLAT-1 - 24MB - SF	

NOTES

- 8D/12D available in 10LM/15LM/20LM.
- Elliptical lens not available with 8D/12D optic options. Actual beam distributions [20D= 35° x 60°, 25D= 40° x 65°, 35D= 45° x 70°, 55D= 55° x 80°]
- HCL not available with lens.
- Custom set up fee plus minimum quantity required per color.
- Must select ND dimming code, for remote driver or POE specifications see page 10.
- LUTP available in 15LM/20LM.
- ELVI (120V) not available in 10LM.
- Refer page 8 for accurate values

* Order the Slat Ceiling mounting kit (shown above) for each Luminaire.
Refer to page 2 for detailed dimensions.

alphabet

PROJECT INFORMATION		
JOB NAME		TYPE
ORDERING CODE		

BEZEL OPTIONS

BEZEL COLORS



OPTICAL OPTIONS

- UGR calculation based on CIE 117-1995; room size: 4H X 8H, reflectance: 70/50/20;
- UGR calculation based on 15LM fixtures, unless otherwise noted.

REFLECTOR OPTIC ACCESSORY Honeycomb Louver



OPTIC	BEAM ANGLE	UGR
8D	7.8	10.9
12D	11.3	23.5
20D	17.4	12.5
25D	22.2	13.9
35D	32.4	16.5
50D	44.9	13.4
65D	52	15.5

NL No Lens



OPTIC	BEAM ANGLE	UGR
8D	7.8	14.2
12D	11.9	13.8
20D	18	13.6
25D	22.8	13.1
35D	36.2	14.5
50D	49.2	18.3
65D	64.5	18.8

CL Clear Lens



OPTIC	BEAM ANGLE	UGR
8D	7.9	13.7
12D	12.1	13.3
20D	18	13.3
25D	22.8	12.8
35D	36.2	14.2
50D	49.2	18.1
65D	64.6	18.5

DL Diffused Lens



OPTIC	BEAM ANGLE	UGR
20D	39.4	19.5
25D	42.4	19.8
35D	50.6	20.8
50D	56.7	21.4
65D	66.7	23.3

HET High Efficiency Textured Lens



OPTIC	BEAM ANGLE	UGR
20D	22.5	13.8
25D	27	14
35D	38.8	15.8
50D	49.8	16.5
65D	60.4	19.5

SBL Smoothing Beam Lens



OPTIC	BEAM ANGLE	UGR
8D	10.2	12.8
12D	13.2	12.9
20D	19.3	13
25D	24.3	13.1
35D	37.2	14.8
50D	51.2	15.6
65D	62.2	18.8

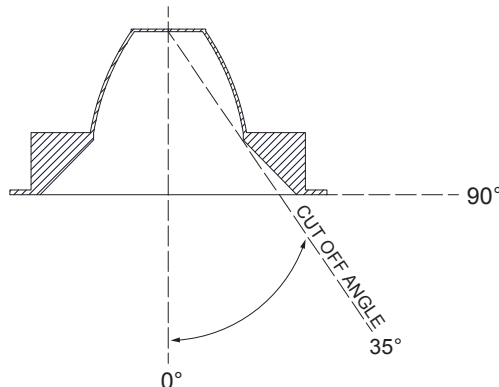
GLARE CONTROL

CUT-OFF ANGLE

Visual comfort is achieved with a lower cut-off angle due to improved glare control. The smaller the cut-off angle, the easier it is on the eye.

Alphabet downlights have been thoughtfully engineered to eliminate glare while still delivering functional illumination.

- Cutoff angle of CL is 35 degrees;



alphabet

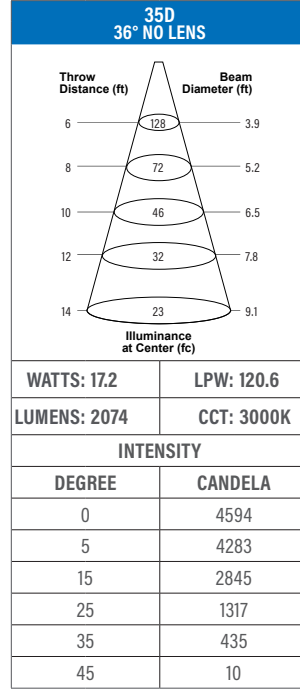
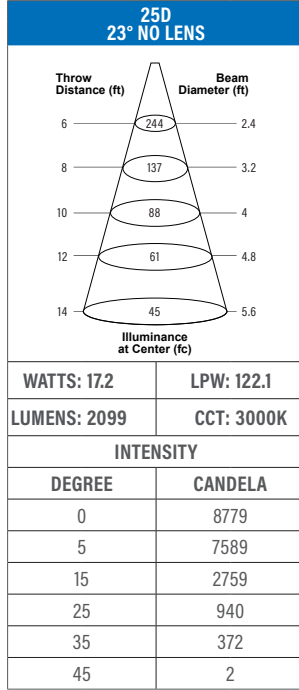
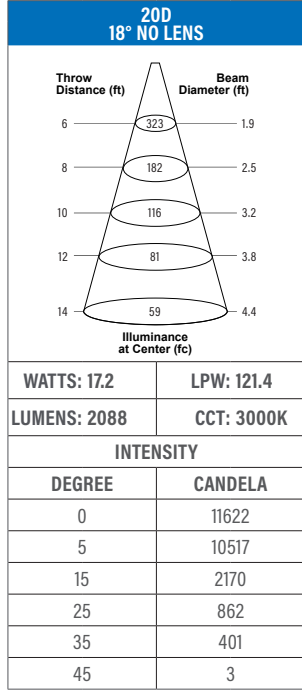
PROJECT INFORMATION		
JOB NAME		TYPE
ORDERING CODE		

PHOTOMETRIC DATA

20LM CCT MULTIPLIERS

	80CRI	90CRI
2700K	0.96	0.81
3000K	1	0.85
3500K	1.03	0.88
4000K	1.06	0.91

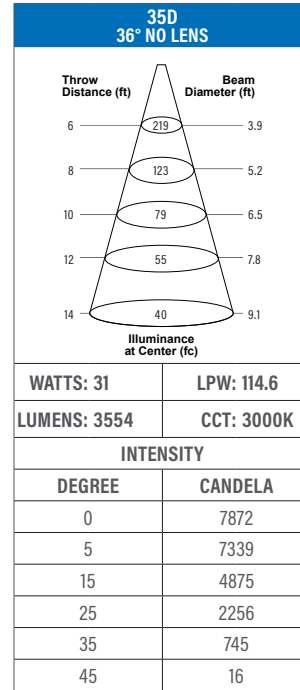
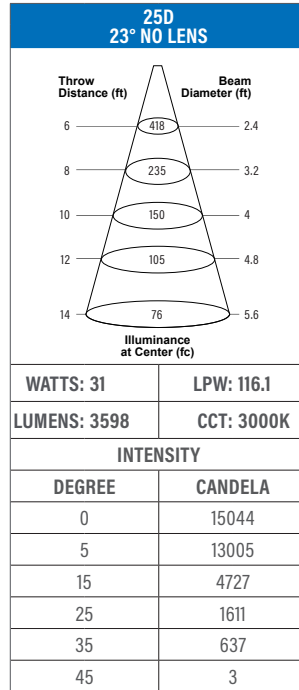
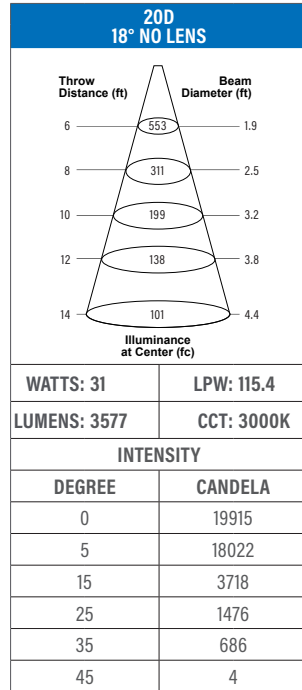
FC Formula = CBCP / Distance²



35LM CCT MULTIPLIERS

	80CRI	90CRI
2700K	0.96	0.81
3000K	1	0.85
3500K	1.03	0.88
4000K	1.06	0.91

FC Formula = CBCP / Distance²



alphabet

PROJECT INFORMATION		
JOB NAME	TYPE	
ORDERING CODE		

PHOTOMETRIC DATA

20LM CCT MULTIPLIERS		
	80CRI	90CRI
2700K	0.96	0.81
3000K	1	0.85
3500K	1.03	0.88
4000K	1.06	0.91
FC Formula = CBCP / Distance ²		

50D 49° NO LENS	
Throw Distance (ft)	Beam Diameter (ft)
6	5.5
8	7.4
10	9.2
12	11
14	12.9
Illuminance at Center (fc)	
90	
51	
33	
23	
17	
WATTS: 17.2	LPW: 121.2
LUMENS: 2085	CCT: 3000K
INTENSITY	
DEGREE	CANDELA
0	3253
5	3231
15	2606
25	1591
35	450
45	13

65D 65° NO LENS	
Throw Distance (ft)	Beam Diameter (ft)
6	7.6
8	10.1
10	12.6
12	15.2
14	17.7
Illuminance at Center (fc)	
59	
33	
21	
15	
11	
WATTS: 17.2	LPW: 120.9
LUMENS: 2080	CCT: 3000K
INTENSITY	
DEGREE	CANDELA
0	2103
5	2101
15	1990
25	1520
35	779
45	144

35LM CCT MULTIPLIERS		
	80CRI	90CRI
2700K	0.96	0.81
3000K	1	0.85
3500K	1.03	0.88
4000K	1.06	0.91
FC Formula = CBCP / Distance ²		

50D 49° NO LENS	
Throw Distance (ft)	Beam Diameter (ft)
6	5.5
8	7.4
10	9.2
12	11
14	12.9
Illuminance at Center (fc)	
155	
88	
56	
39	
28	
WATTS: 31	LPW: 115.3
LUMENS: 3573	CCT: 3000K
INTENSITY	
DEGREE	CANDELA
0	5575
5	5536
15	4466
25	2727
35	771
45	21

65D 65° NO LENS	
Throw Distance (ft)	Beam Diameter (ft)
6	7.6
8	10.1
10	12.6
12	15.2
14	17.7
Illuminance at Center (fc)	
100	
57	
36	
25	
18	
WATTS: 31	LPW: 115
LUMENS: 3564	CCT: 3000K
INTENSITY	
DEGREE	CANDELA
0	3603
5	3599
15	3410
25	2605
35	1336
45	247

alphabet

PROJECT INFORMATION		
JOB NAME		TYPE
ORDERING CODE		

PHOTOMETRIC DATA

10LM CCT MULTIPLIERS		
	80CRI	90CRI
2700K	0.96	0.81
3000K	1	0.85
3500K	1.03	0.88
4000K	1.06	0.91
FC Formula = CBCP / Distance ²		

8D 7.8° NO LENS	
Throw Distance (ft)	Beam Diameter (ft)
6	0.8
8	1.1
10	1.4
12	1.6
14	1.9
Illuminance at Center (fc)	
562	
316	
202	
140	
103	
WATTS: 12	LPW: 66
LUMENS: 792	CCT: 3000K
INTENSITY	
DEGREE	CANDELA
0	20223
5	6477
15	368
25	287
35	170
45	0

12D 12° NO LENS	
Throw Distance (ft)	Beam Diameter (ft)
6	1.3
8	1.7
10	2.1
12	2.5
14	2.9
Illuminance at Center (fc)	
266	
150	
96	
66	
49	
WATTS: 8.7	LPW: 92.8
LUMENS: 807	CCT: 3000K
INTENSITY	
DEGREE	CANDELA
0	9574
5	6065
15	532
25	299
35	155
45	0

15LM CCT MULTIPLIERS		
	80CRI	90CRI
2700K	0.96	0.81
3000K	1	0.85
3500K	1.03	0.88
4000K	1.06	0.91
FC Formula = CBCP / Distance ²		

8D 7.8° NO LENS	
Throw Distance (ft)	Beam Diameter (ft)
6	0.8
8	1.1
10	1.4
12	1.6
14	1.9
Illuminance at Center (fc)	
885	
498	
319	
221	
163	
WATTS: 20	LPW: 62.4
LUMENS: 1248	CCT: 3000K
INTENSITY	
DEGREE	CANDELA
0	31866
5	10206
15	579
25	452
35	269
45	1

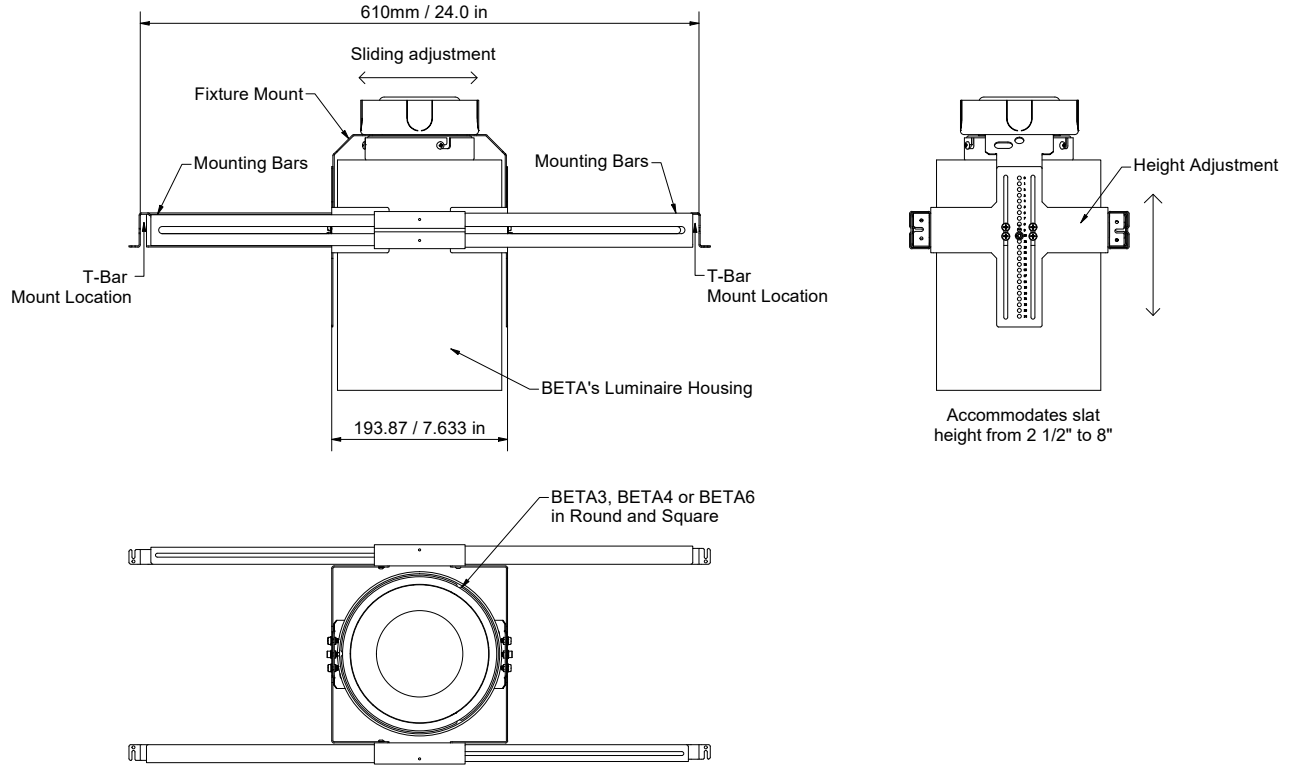
12D 12° NO LENS	
Throw Distance (ft)	Beam Diameter (ft)
6	1.3
8	1.7
10	2.1
12	2.5
14	2.9
Illuminance at Center (fc)	
520	
293	
187	
130	
96	
WATTS: 17	LPW: 92.9
LUMENS: 1579	CCT: 3000K
INTENSITY	
DEGREE	CANDELA
0	18725
5	11861
15	1041
25	585
35	303
45	1

alphabet

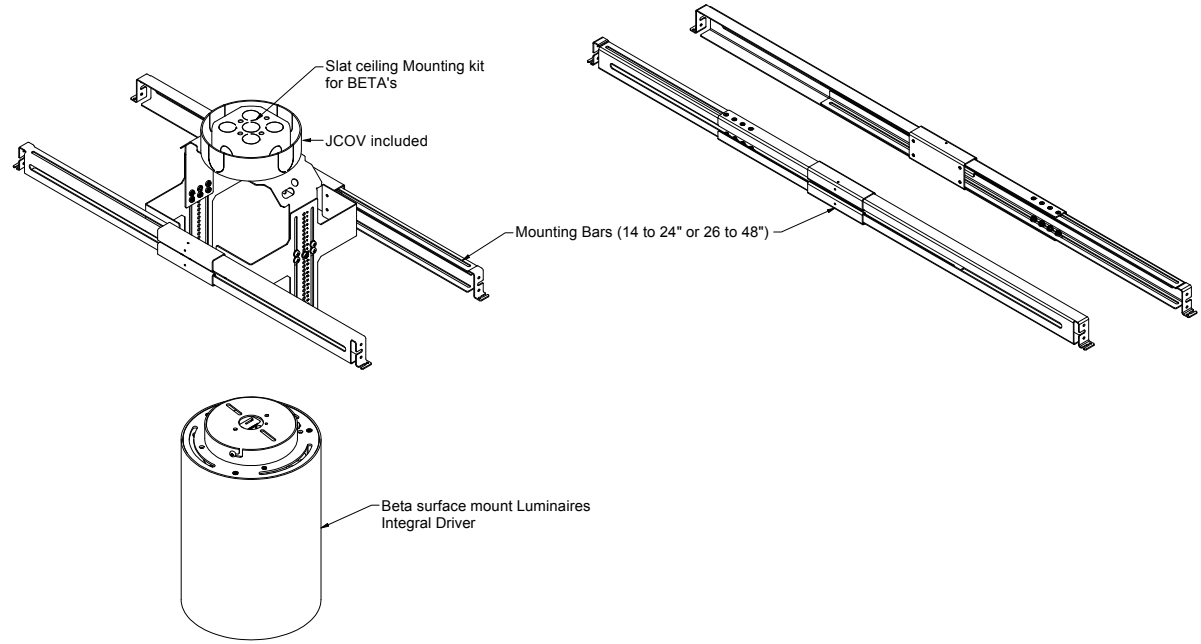
PROJECT INFORMATION		
JOB NAME		TYPE
ORDERING CODE		

MOUNTING OPTIONS

FUNCTIONALITY



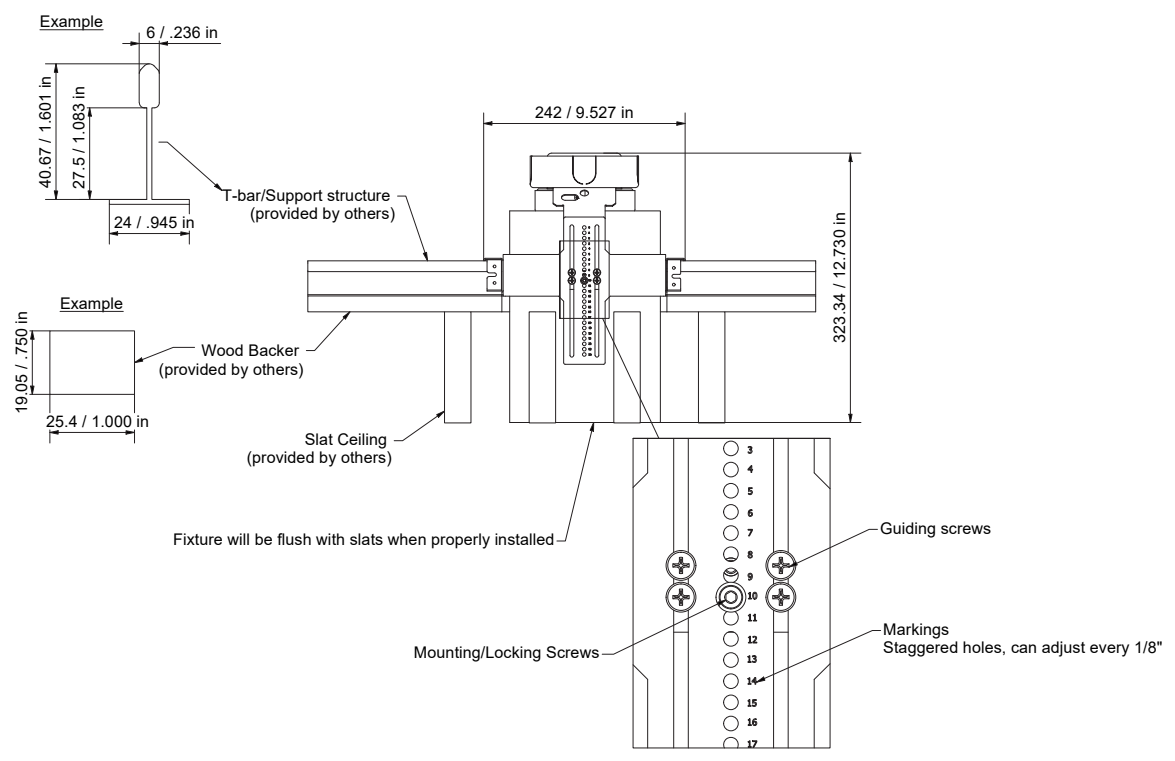
COMPONENTS



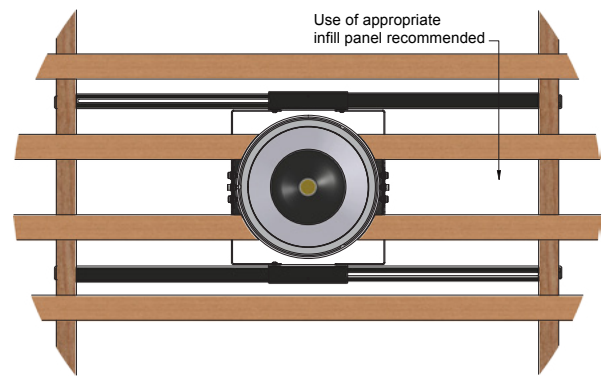
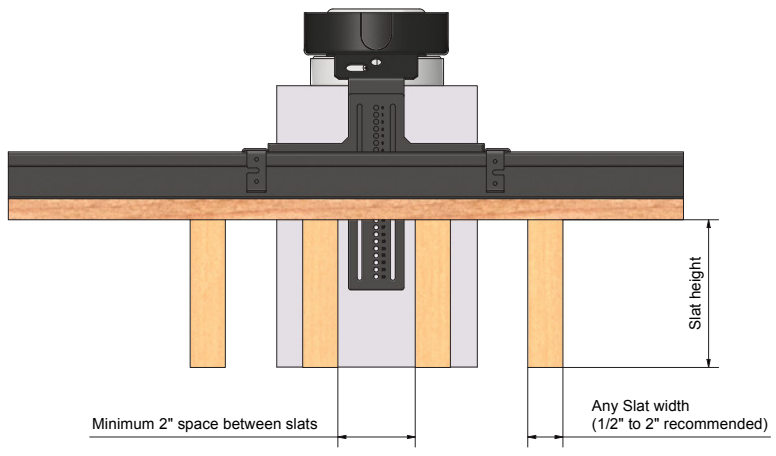
PROJECT INFORMATION		
JOB NAME		TYPE
ORDERING CODE		

MOUNTING OPTIONS

CONSTRUCTION & MOUNTING



SPECIFICATIONS



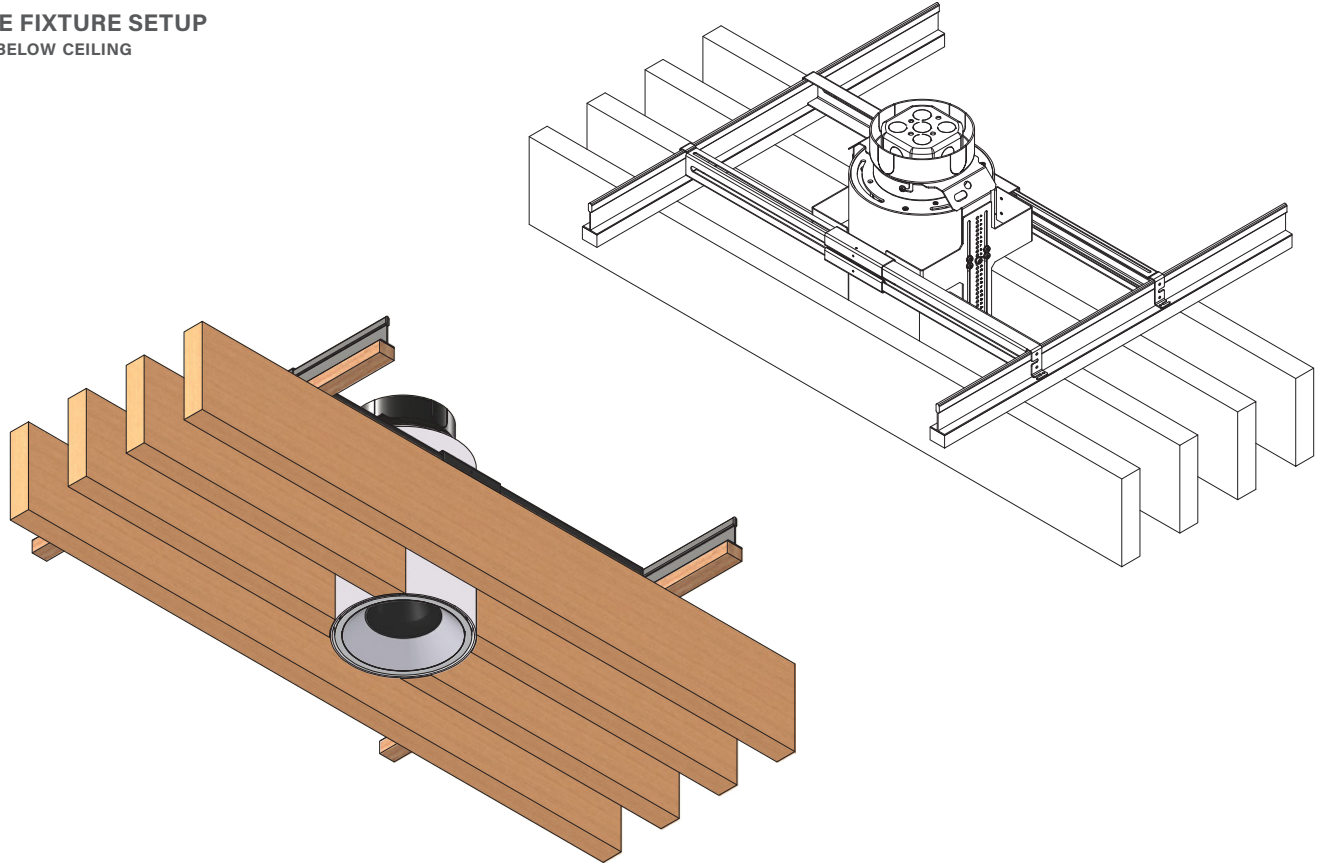
LIMITATIONS

FIXTURE TYPE	SLAT HEIGHT	SLAT HOLE CUT SIZE RECOMMENDED
BETA3	2 1/2" - 7"	3 5/8" - 3 3/4"
BETA4	2 1/2" - 8"	4 1/8" - 5"
BETA6	3" - 8 1/2"	7 1/4" - 7 1/2"

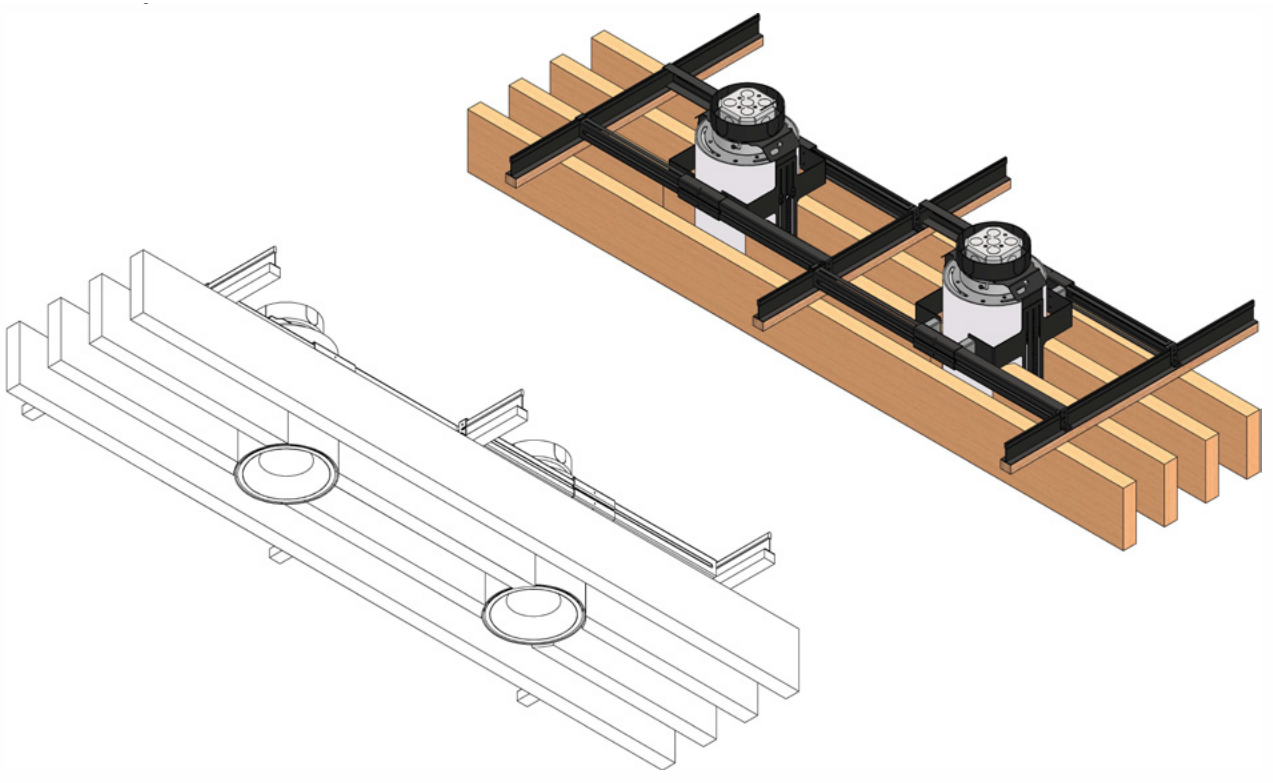
PROJECT INFORMATION		
JOB NAME	TYPE	
ORDERING CODE		

MOUNTING OPTIONS

SF - SINGLE FIXTURE SETUP APPEARANCE BELOW CEILING



CF - CONTINUOUS RUN TWO FIXTURE SETUP (FIXTURES EVERY 24") APPEARANCE BELOW CEILING



PROJECT INFORMATION			
JOB NAME		TYPE	
ORDERING CODE			

LOW VOLTAGE OPTIONS

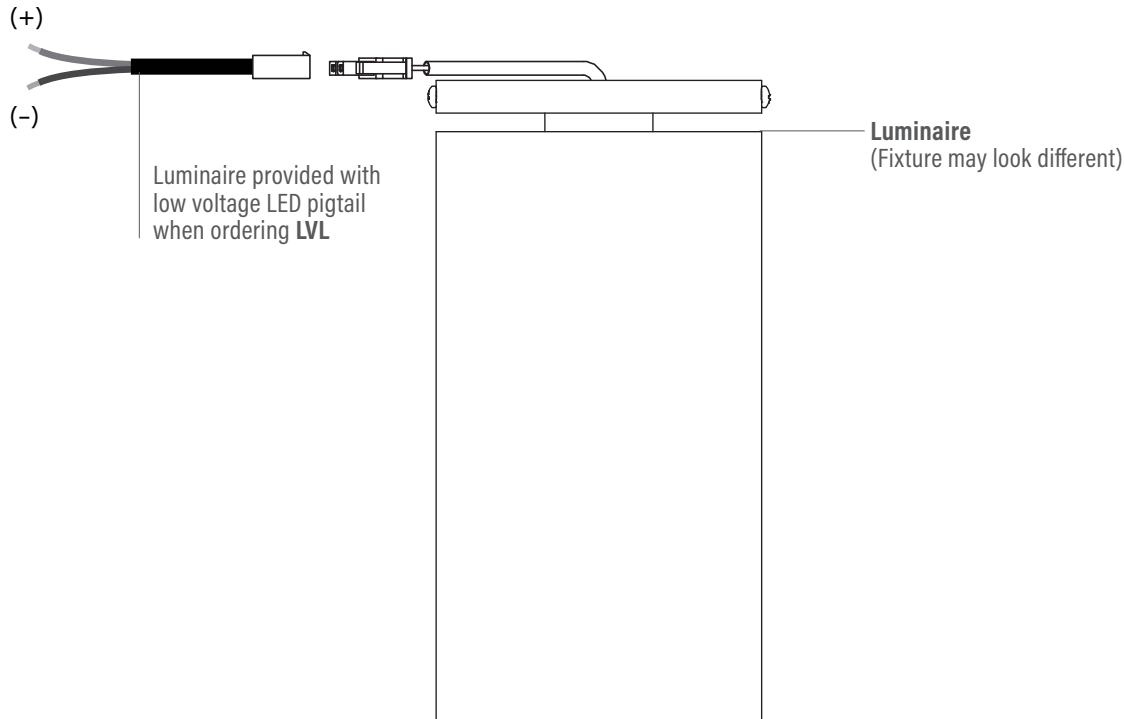
20° - 65° BEAM (Note: Specifications are subject to change without notice)			
14mm COB PERFORMANCE DATA			
LED LIGHT ENGINE	NOMINAL DELIVERED LUMENS	DRIVE CURRENT	LED WATTAGE
10LM	990LM @30K/80CRI	250mA	9W
15LM	1485LM @30K/80CRI	300mA	11W
20LM	2095LM @30K/80CRI	425mA	15.5W
25LM	2540LM @30K/80CRI	525mA	19W
30LM	3090LM @30K/80CRI	650mA	23.5W
35LM	3580LM @30K/80CRI	750mA	27W
10LM	840LM @30K/90/CRI	250mA	9W
15LM	1260LM @30K/90/CRI	300mA	11W
20LM	1780LM @30K/90/CRI	425mA	15.5W
25LM	2160LM @30K/90/CRI	525mA	19W
30LM	2620LM @30K/90/CRI	650mA	23.5W
35LM	3040LM @30K/90/CRI	750mA	27W
Notes	Delivered lumens based on 25D optic with no lens, (see page 2)		

12° BEAM (Note: Specifications are subject to change without notice)			
10mm COB PERFORMANCE DATA			
LED LIGHT ENGINE	NOMINAL DELIVERED LUMENS	DRIVE CURRENT	LED WATTAGE
10LM	810LM @30K/80CRI	250mA	9W
15LM	1580LM @30K/80CRI	300mA	11W
20LM	2010LM @30K/80CRI	400mA	14.5W
10LM	690LM @30K/90CRI	250mA	9W
15LM	1340LM @30K/90CRI	300mA	11W
20LM	1710LM @30K/90CRI	400mA	14.5W
Notes	Delivered lumens based on 12D optic no lens, (see page 2)		

8° BEAM (Note: Specifications are subject to change without notice)			
6mm COB PERFORMANCE DATA			
LED LIGHT ENGINE	NOMINAL DELIVERED LUMENS	DRIVE CURRENT	LED WATTAGE
10LM	790LM @30K/80CRI	225mA	8.5W
15LM	1250LM @30K/80CRI	350mA	13W
10LM	670LM @30K/90CRI	225mA	8.5W
15LM	1060LM @30K/90CRI	350mA	13W
Notes	Delivered lumens based on 8D optic no lens, (see page 2)		

NOMINAL LED VOLTAGE: 36VDC

Customer to order CC Remote Driver separately or POE Node by others.



PROJECT INFORMATION		
JOB NAME		TYPE
ORDERING CODE		

BATTERY OPTIONS

EMERGENCY BATTERY

IOTA's ILB battery backups are UL Listed LED emergency drivers that allow the same LED fixture to be used for both normal and emergency operation. In the event of a power failure, the ILB switches to the emergency mode and operates the existing fixture for 90 minutes. The unit contains a battery, charger, and converter circuit in a single can. The constant power design of the ILB maintains the output wattage to the LED array even as the system voltage diminishes. UL 924 Listed for U.S. and Canada. UL 1310 Certified, output class 2 compliant. Includes single-piece TBTS test switch and charge indicator accessory kit. For use with switched and unswitched fixtures, and includes two-wire universal AC input. Meets or exceeds all National Electric Code and Life Safety Code Emergency Lighting requirements. Rated for use in plenum, damp location, recessed type IC, and enclosed and gasketed luminaires.

REMOTE TEST SWITCH

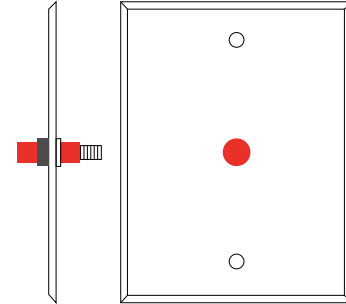
The remote test switch may be mounted adjacent to the LED Fixture by others.

EMERGENCY BATTERY ACCESS

Above ceiling access is recommended for ease of service.

REMOTE LOCATION

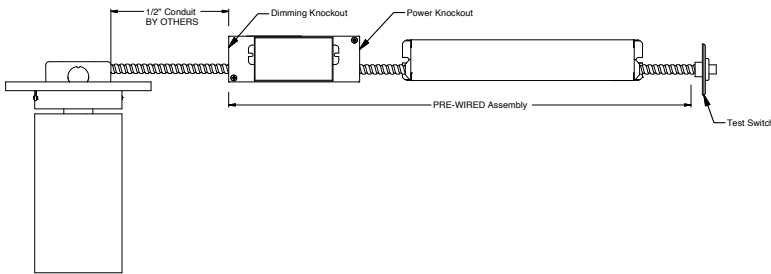
Maximum remote mounting distance of the emergency driver shall be 50 feet. Remote location wiring provided by others. Follow all local and national electric/building codes.



Remote Test Switch

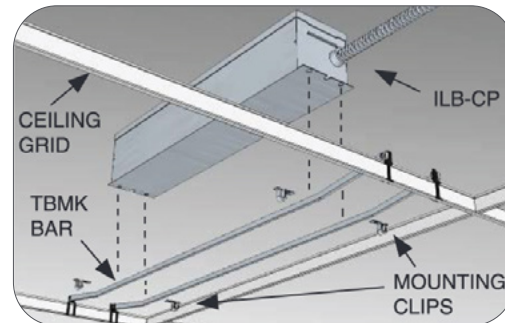
EM MODE OUTPUT (DELIVERED LUMENS)			
LUMEN ORDERING CODE	EM7	EM10	EM12
ALL OPTIONS (10LM TO 35LM)	820LM	1200LM	1480LM
Notes: Based on 30K, 80CRI			

REMOTE BATTERY



Accessory

76066 Optional T-Grid Mounting Kit¹



1. Can be used with any of the Emergency Battery Backups. Must be ordered as a separate line item.