

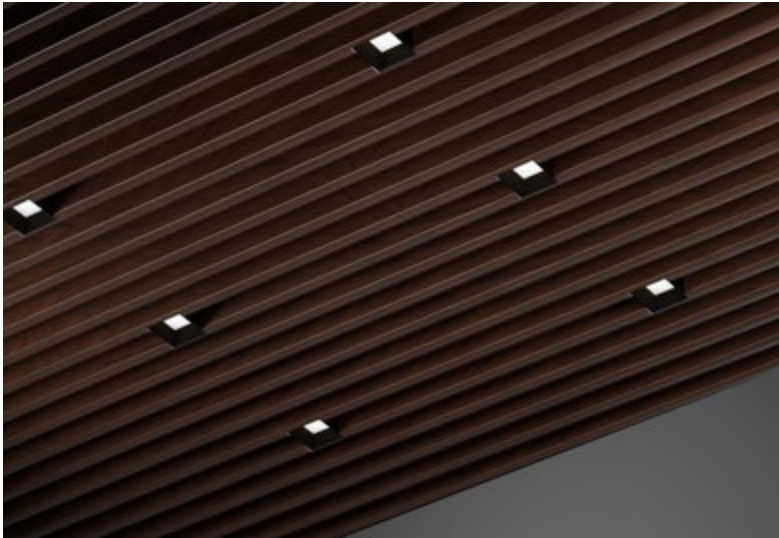
alphabet

| PROJECT INFORMATION | | |
|---------------------|--|------|
| JOB NAME | | TYPE |
| ORDERING CODE | | |

SLAT CEILING - BETA

3" Square Standard White

| 60° - 80° BEAM | | |
|---|--|----------------|
| (Note: Specifications are subject to change without notice) | | |
| 14mm COB PERFORMANCE DATA | | |
| LED LIGHT ENGINE | NOMINAL DELIVERED LUMENS | SYSTEM WATTAGE |
| 10LM | 1140LM @30K/80CRI | 11W |
| 15LM | 1380LM @30K/80CRI | 13W |
| 20LM | 1790LM @30K/80CRI | 17W |
| 10LM | 970LM @30K/90CRI | 9W |
| 15LM | 1180LM @30K/90CRI | 13W |
| 20LM | 1520LM @30K/90CRI | 17W |
| Notes | Delivered lumens based on WH80, 3000K (see page 2) | |



FEATURES

- Accommodates a wide range of vertical configuration (3" to 8-1/2")
- No restrictions on slat thickness
- Easy maintenance from below the ceiling, above ceiling access not required
- 60° - 80° beam spread
- UGR < 19
- Multiple mounting, glare control options, trims and finishes available

DIMMING AND CONTROLS

- Flicker free 0-10V dimming to 1%
- Leading & trailing edge (Triac/ELV) dimming to 1%
- Casambi bluetooth dimming to 1%

CONSTRUCTION

- Mounting bar hangers available in 24" and 48" configuration
- Integral driver
- Accommodates slat heights from 2 1/2" to 7"
- 1/8" height adjustment
- Slat cutout by others
- Extruded aluminum housing
- Lexan™ (PC) Optimal connectivity for wireless control signal
- Impact and chemical resistant at the highest level

LED

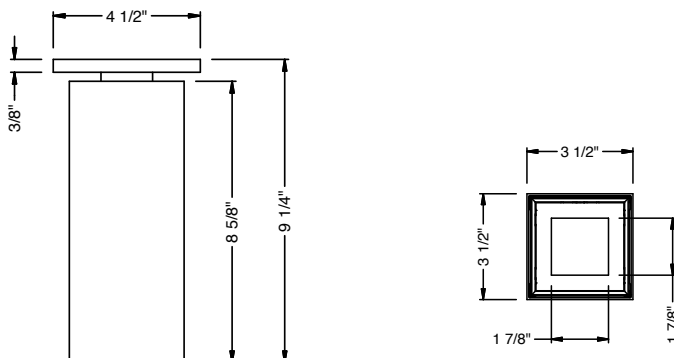
- 90 CRI: SDCM = 2-step MacAdam Ellipse, Lumen Maintenance: L₇₀ > 49,500 hrs
- 80 CRI: SDCM = 3-step MacAdam Ellipse, Lumen Maintenance: L₇₀ > 49,500 hrs

LISTING

- ULus Listed to UL1598 & UL2108; cUL Listed to CSA C22.2 #250.0
- Suitable for dry and damp locations
- 5 Year Limited warranty

ELECTRICAL

- 120V-277V, 120 only Triac / ELV
- Power factor ≥ 0.9
- 2kV driver input surge protection
- Remote emergency test switch
- 7 W, 10W (T20 CEC) and 12W EM 90min battery



alphabet

| PROJECT INFORMATION | | |
|---------------------|--|------|
| JOB NAME | | TYPE |
| ORDERING CODE | | |

| | | ORDERING CODE | |
|---|-----------------------|-------------------------------------|--------|
| SERIES | BETA | cylinder series | |
| TYPE | 3Q | 3" square | |
| LED | SW | standard white | |
| DELIVERED LUMENS | 10LM | 1180 lm | |
| | 15LM | 1370 lm | |
| | 20LM | 1770 lm | |
| Standard Configuration: 3000K 80CRI 40C NL | | | |
| Calculated Delivered Lumens = [Delivered Lumen Value] x [CCT Multiplier] x [Reflector Multiplier] | | | |
| CCT | 27K | 2700K | |
| | 30K | 3000K | |
| | 35K | 3500K | |
| | 40K | 4000K | |
| CRI | 80 | 80 CRI | |
| | 90 | 90 CRI | |
| OPTIC & LM MULTIPLIER <small>SEE PAGE 3</small> | HE60 | 60° high efficiency diffused lens | (0.98) |
| | HE80 | 80° high efficiency diffused lens | (0.95) |
| | D70 | 70° diffused with clear lens | (0.97) |
| | WH80 | 80° brilliant white with clear lens | (1.00) |
| BEZEL LENS | NL¹ | no lens | |
| FINISH | BK | black | |
| | WH | white | |
| | MC | matte chrome | |
| BEZEL COLOR | BK | black | (0.98) |
| | WH | white | (1.00) |
| | MC | matte chrome | (0.99) |
| | WT | wheat | (0.99) |
| | BZ | bronze | (0.99) |

| | | ORDERING CODE | |
|---|---------------------------|---|--|
| VOLTAGE | 120 | 120V | |
| | UNV | 120V-277V | |
| DIMMING | DIM10 | 0-10V dimming to 1% | |
| | LUTP | Lutron Hi-lume Premier Ecosystem dimming to 0.1%, Soft-on & Fade-to-Black | |
| | ELV1² | leading & trailing edge (Triac/ELV) dimming to 1% | |
| | CAS | Casambi Bluetooth control with flicker free 1% dimming | |
| ELECTRICAL OPTIONS | EM7 | remote emergency battery backup, 90 minutes at 7 watts to LED | |
| | EM12³ | remote emergency battery backup, 90 minutes at 12 watts to LED | |
| | EM10CA20 | remote emergency battery backup, 90 minutes at 10W to LED, CA title 20 | |
| MOUNTING OPTIONS <small>SEE PAGES 5 - 7</small> | SLAT-1⁴ | mounting hardware kit for 2 1/2" to 8 1/2" slat height | |
| SIZE | 24MB | mounting bars 24" set (extendable from 14" to 24") | |
| | 48MB | mounting bars 48" set (extendable from 26" to 48") | |
| CONSTRUCTION | SF | single (1) fixture setup | |
| | CF | continuous run (2) fixture setup (fixture every 24" or 48") | |

| YOUR COMPLETED ORDERING CODE | |
|---|--|
| Follow the steps to specify your fixture, example: | |
| BETA - 3Q - SW - 15LM - 35K - 80 - HE60 - WH - WH - UNV - DIM10 - EM7 - SLAT-1 - 24MB - SF | |

NOTES

1. "No lens" option available for D70, or WH80.
2. Triac/ELV dimming available in 120V only.
3. EM12 not available in 10LM.
4. Refer page 6 for accurate values

BEZEL OPTIONS

BEZEL COLORS



alphabet

| PROJECT INFORMATION | | |
|---------------------|--|------|
| JOB NAME | | TYPE |
| ORDERING CODE | | |

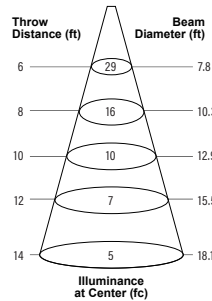
PHOTOMETRIC DATA

10LM CCT MULTIPLIERS

| | 80CRI | 90CRI |
|-------|-------|-------|
| 2700K | 0.96 | 0.81 |
| 3000K | 1 | 0.85 |
| 3500K | 1.03 | 0.88 |
| 4000K | 1.06 | 0.91 |

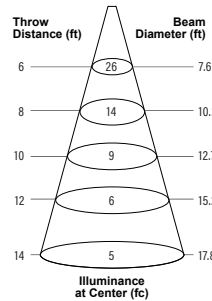
FC Formula = CBCP / Distance²

D70 66° DIFFUSED WITH CLEAR LENS



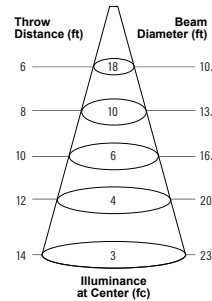
| WATTS: 10.3 | LPW: 105.4 |
|--------------|------------|
| LUMENS: 1086 | CCT: 3000K |
| INTENSITY | |
| DEGREE | CANDELA |
| 0 | 1041 |
| 5 | 1025 |
| 15 | 908 |
| 25 | 718 |
| 35 | 427 |
| 45 | 86 |

HE60 65° HIGH EFFICIENCY DIFFUSED LENS



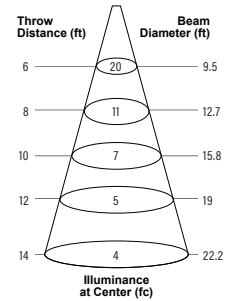
| WATTS: 10.3 | LPW: 104.2 |
|--------------|------------|
| LUMENS: 1073 | CCT: 3000K |
| INTENSITY | |
| DEGREE | CANDELA |
| 0 | 921 |
| 5 | 906 |
| 15 | 793 |
| 25 | 616 |
| 35 | 398 |
| 45 | 157 |

HE80 80° HIGH EFFICIENCY DIFFUSED LENS



| WATTS: 10.3 | LPW: 104 |
|--------------|------------|
| LUMENS: 1071 | CCT: 3000K |
| INTENSITY | |
| DEGREE | CANDELA |
| 0 | 636 |
| 5 | 632 |
| 15 | 599 |
| 25 | 533 |
| 35 | 417 |
| 45 | 224 |

WH80 77° BRILLIANT WHITE WITH CLEAR LENS



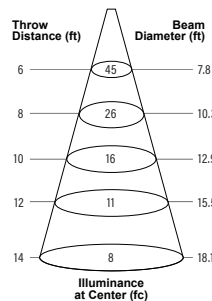
| WATTS: 10.3 | LPW: 111.2 |
|--------------|------------|
| LUMENS: 1145 | CCT: 3000K |
| INTENSITY | |
| DEGREE | CANDELA |
| 0 | 718 |
| 5 | 715 |
| 15 | 692 |
| 25 | 641 |
| 35 | 495 |
| 45 | 178 |

20LM CCT MULTIPLIERS

| | 80CRI | 90CRI |
|-------|-------|-------|
| 2700K | 0.96 | 0.81 |
| 3000K | 1 | 0.85 |
| 3500K | 1.03 | 0.88 |
| 4000K | 1.06 | 0.91 |

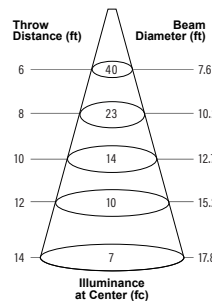
FC Formula = CBCP / Distance²

D70 66° DIFFUSED WITH CLEAR LENS



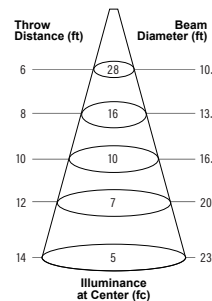
| WATTS: 15.9 | LPW: 107 |
|--------------|------------|
| LUMENS: 1701 | CCT: 3000K |
| INTENSITY | |
| DEGREE | CANDELA |
| 0 | 1631 |
| 5 | 1607 |
| 15 | 1423 |
| 25 | 1125 |
| 35 | 669 |
| 45 | 135 |

HE60 65° HIGH EFFICIENCY DIFFUSED LENS



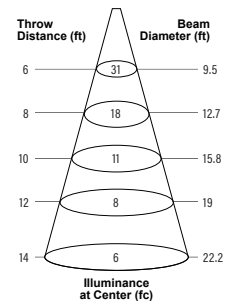
| WATTS: 15.9 | LPW: 105.7 |
|--------------|------------|
| LUMENS: 1681 | CCT: 3000K |
| INTENSITY | |
| DEGREE | CANDELA |
| 0 | 1444 |
| 5 | 1420 |
| 15 | 1243 |
| 25 | 966 |
| 35 | 624 |
| 45 | 246 |

HE80 80° HIGH EFFICIENCY DIFFUSED LENS



| WATTS: 15.9 | LPW: 105.5 |
|--------------|------------|
| LUMENS: 1678 | CCT: 3000K |
| INTENSITY | |
| DEGREE | CANDELA |
| 0 | 997 |
| 5 | 990 |
| 15 | 938 |
| 25 | 835 |
| 35 | 653 |
| 45 | 351 |

WH80 77° BRILLIANT WHITE WITH CLEAR LENS

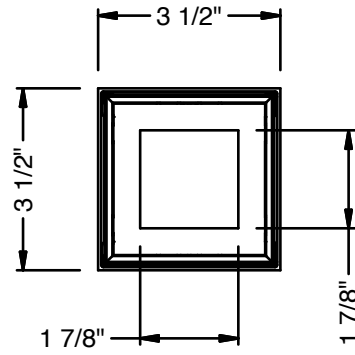
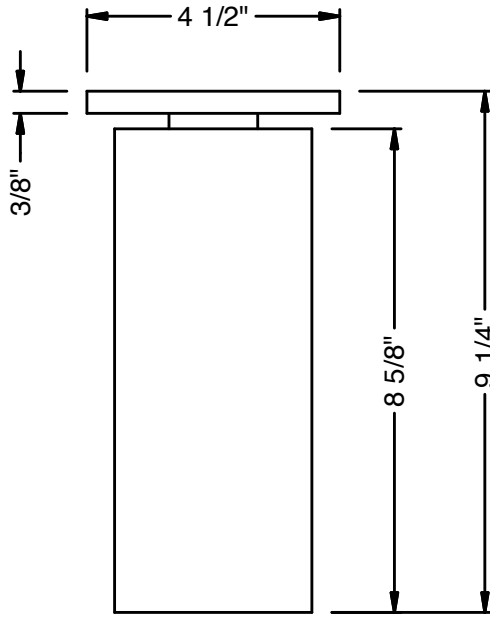


| WATTS: 15.9 | LPW: 112.9 |
|--------------|------------|
| LUMENS: 1795 | CCT: 3000K |
| INTENSITY | |
| DEGREE | CANDELA |
| 0 | 1125 |
| 5 | 1121 |
| 15 | 1083 |
| 25 | 1004 |
| 35 | 775 |
| 45 | 279 |

alphabet

| PROJECT INFORMATION | | | |
|---------------------|--|------|--|
| JOB NAME | | TYPE | |
| ORDERING CODE | | | |

MOUNTING OPTIONS



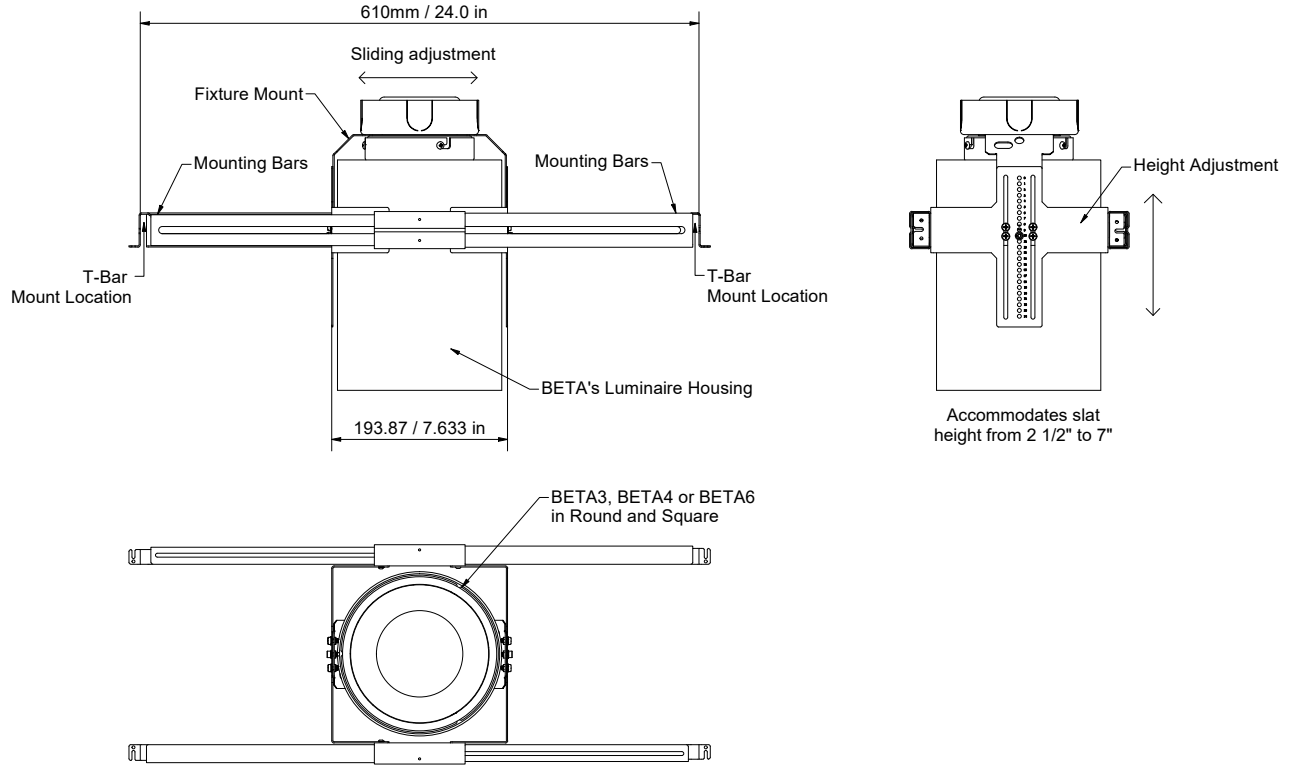
DIM10 / ELV1 / CAS

alphabet

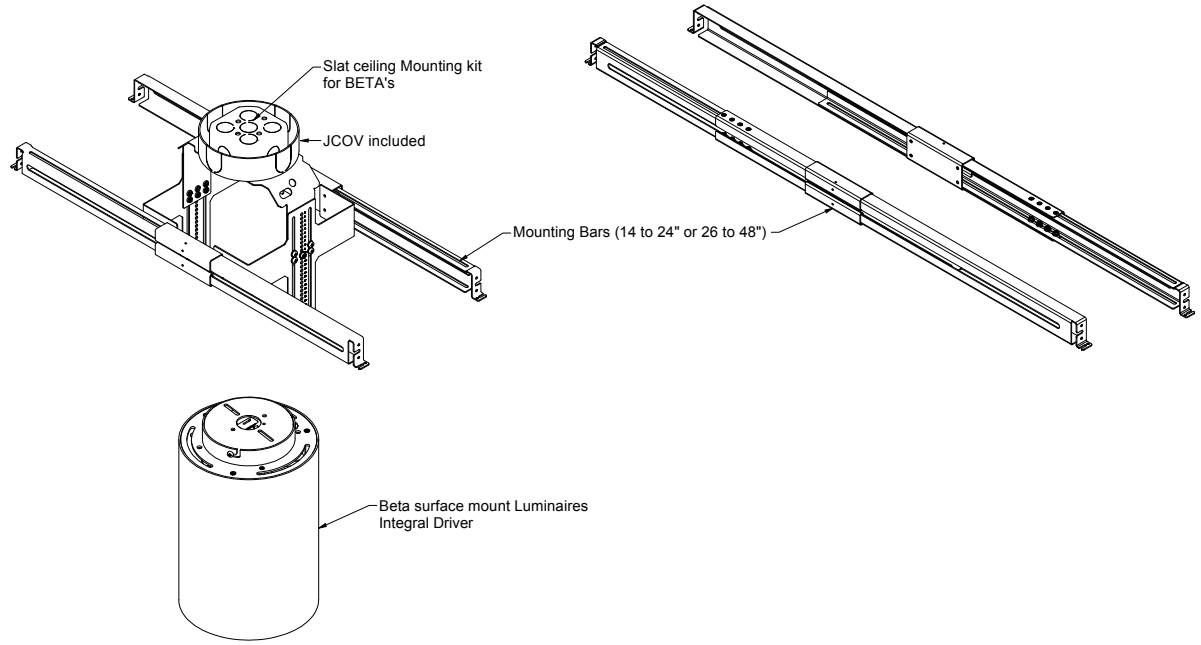
| PROJECT INFORMATION | | |
|---------------------|--|------|
| JOB NAME | | TYPE |
| ORDERING CODE | | |

MOUNTING OPTIONS

FUNCTIONALITY



COMPONENTS

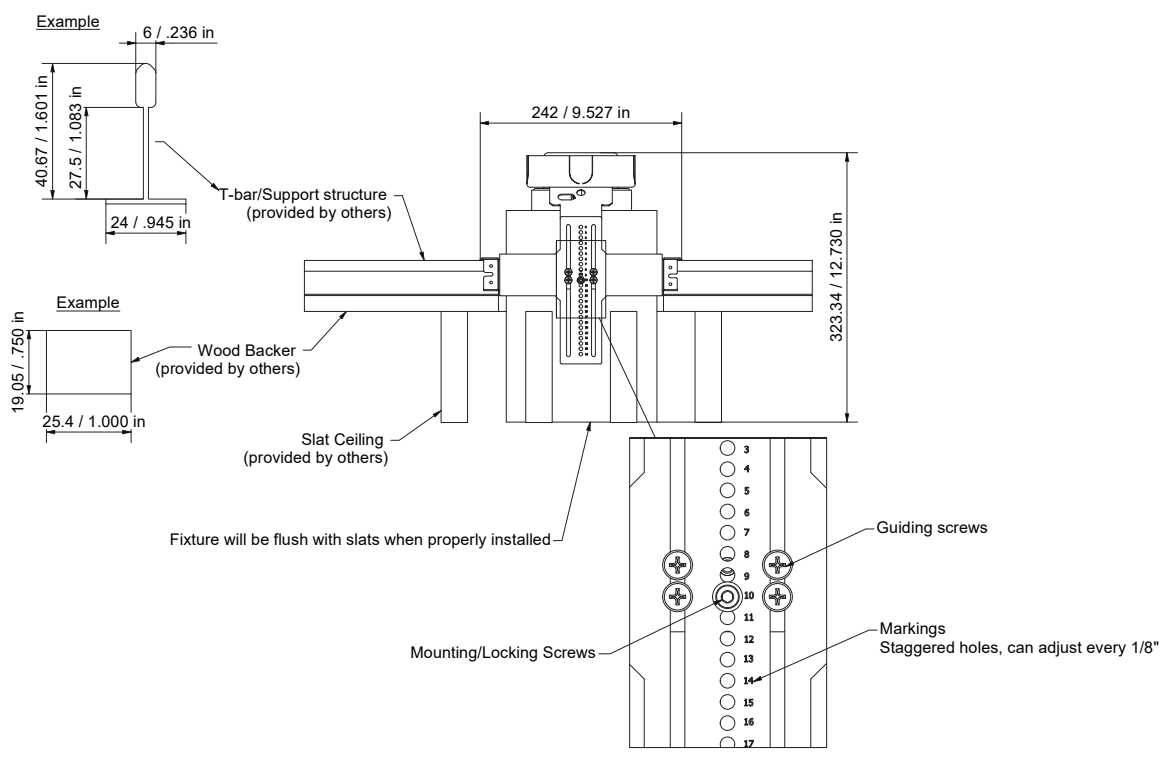


alphabet

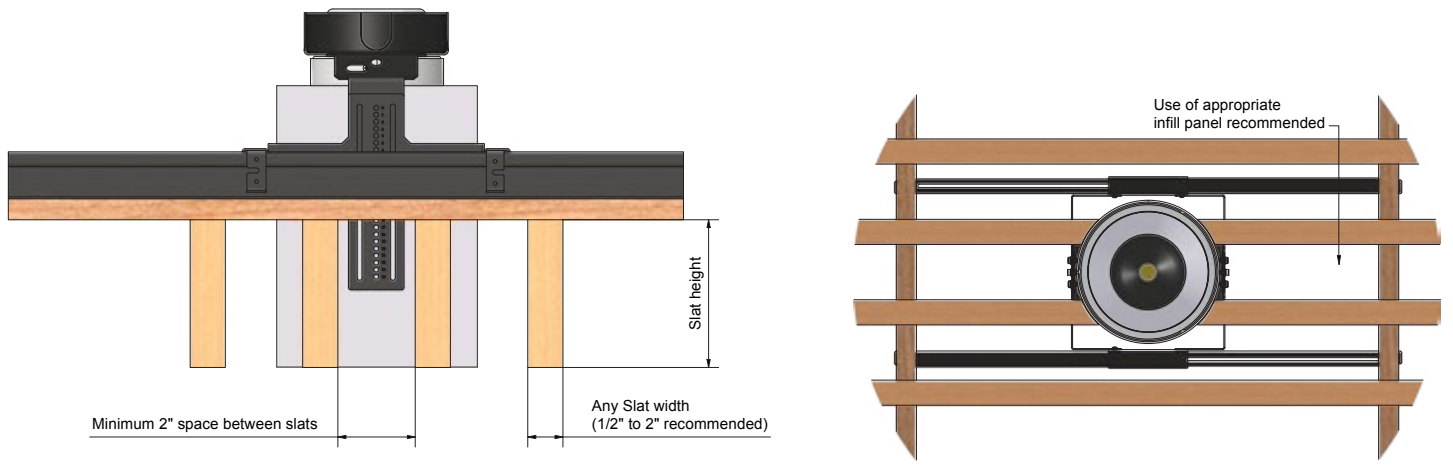
| PROJECT INFORMATION | | |
|---------------------|--|------|
| JOB NAME | | TYPE |
| ORDERING CODE | | |

MOUNTING OPTIONS

CONSTRUCTION & MOUNTING



SPECIFICATIONS



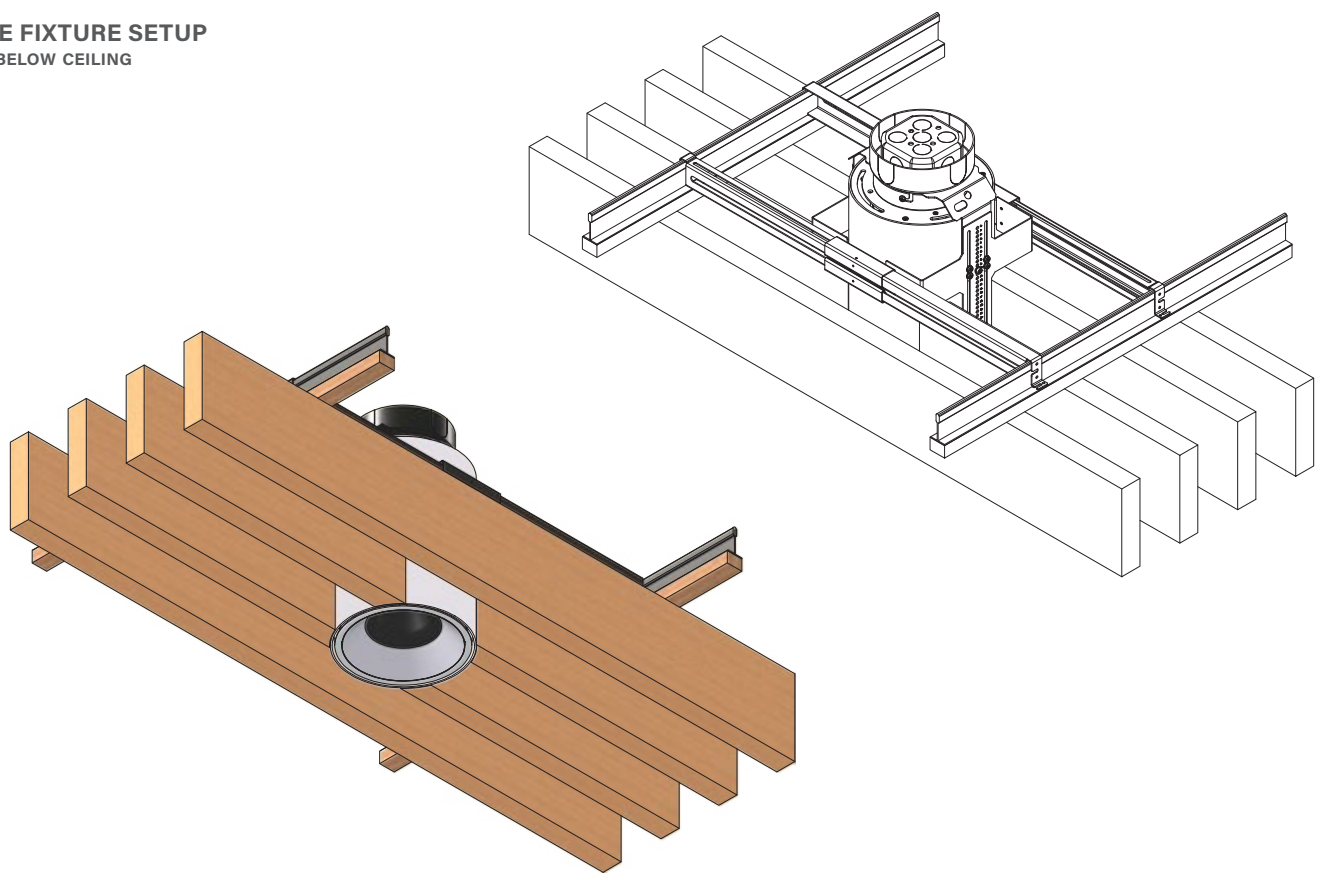
LIMITATIONS

| FIXTURE TYPE | SLAT HEIGHT | SLAT HOLE CUT SIZE RECOMMENDED |
|--------------|-------------|--------------------------------|
| BETA3 | 2½" - 7" | 3⅝" - 3¾" |
| BETA4 | 2½" - 8" | 4⅞" - 5" |
| BETA6 | 3" - 8½" | 7¼" - 7½" |

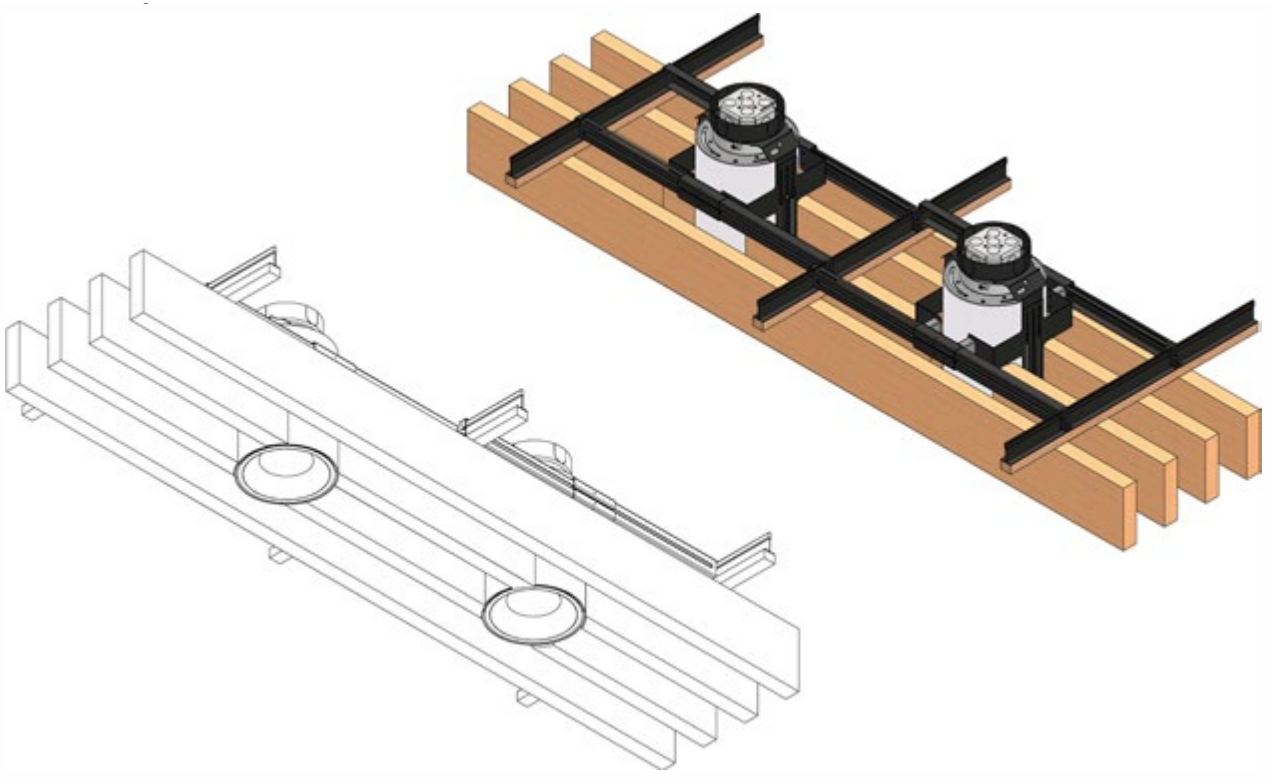
| PROJECT INFORMATION | | |
|---------------------|--|------|
| JOB NAME | | TYPE |
| ORDERING CODE | | |

MOUNTING OPTIONS

SF - SINGLE FIXTURE SETUP APPEARANCE BELOW CEILING



CF - CONTINUOUS RUN TWO FIXTURE SETUP (FIXTURES EVERY 24") APPEARANCE BELOW CEILING



| PROJECT INFORMATION | | | |
|---------------------|--|------|--|
| JOB NAME | | TYPE | |
| ORDERING CODE | | | |

BATTERY OPTIONS

EMERGENCY BATTERY

IOTA's ILB battery backups are UL Listed LED emergency drivers that allow the same LED fixture to be used for both normal and emergency operation. In the event of a power failure, the ILB switches to the emergency mode and operates the existing fixture for 90 minutes. The unit contains a battery, charger, and converter circuit in a single can. The constant power design of the ILB maintains the output wattage to the LED array even as the system voltage diminishes. UL 924 Listed for U.S. and Canada. UL 1310 Certified, output class 2 compliant. Includes single-piece TBTS test switch and charge indicator accessory kit. For use with switched and unswitched fixtures, and includes two-wire universal AC input. Meets or exceeds all National Electric Code and Life Safety Code Emergency Lighting requirements. Rated for use in plenum, damp location, recessed type IC, and enclosed and gasketed luminaires.

REMOTE TEST SWITCH

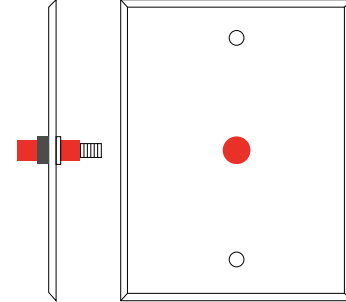
The remote test switch may be mounted adjacent to the LED Fixture by others.

EMERGENCY BATTERY ACCESS

Above ceiling access is recommended for ease of service.

REMOTE LOCATION

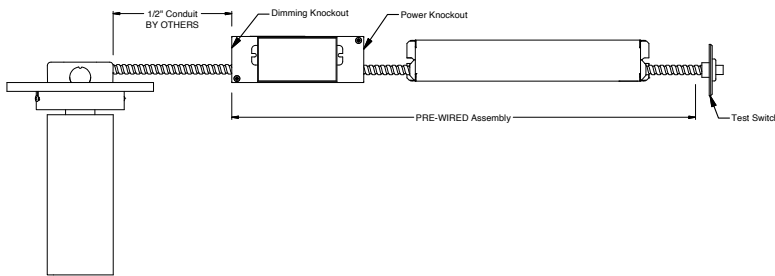
Maximum remote mounting distance of the emergency driver shall be 50 feet. Remote location wiring provided by others. Follow all local and national electric/building codes.



Remote Test Switch

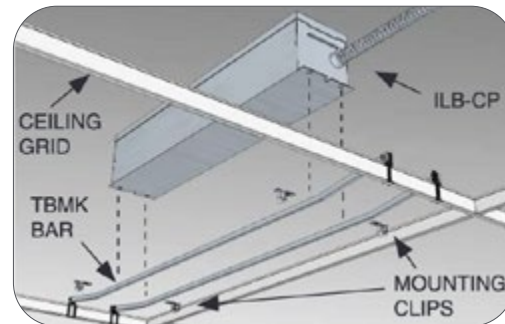
| EM MODE OUTPUT (DELIVERED LUMENS) | | | |
|-----------------------------------|-------|--------|--------|
| LUMEN ORDERING CODE | EM7 | EM10 | EM12 |
| ALL OPTIONS (10LM TO 20LM) | 880LM | 1280LM | 1480LM |
| Notes: Based on 30K, 80CRI | | | |

REMOTE BATTERY



Accessory

76066 Optional T-Grid Mounting Kit



1. Can be used with any of the Emergency Battery Backups. Must be ordered as a separate line item.