

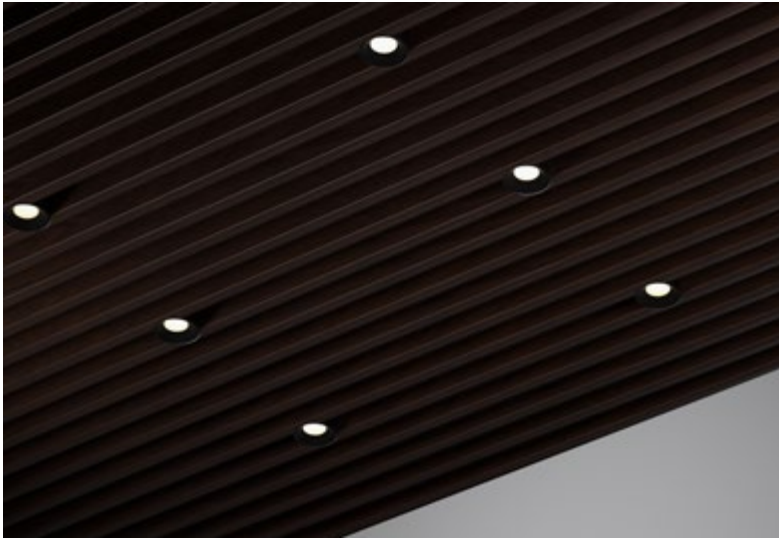
alphabet

PROJECT INFORMATION		
JOB NAME		TYPE
ORDERING CODE		

SLAT CEILING - BETA

3" Cylinder Standard White

15° - 60° BEAM		
(Note: Specifications are subject to change without notice)		
14mm COB PERFORMANCE DATA		
LED LIGHT ENGINE	NOMINAL DELIVERED LUMENS	SYSTEM WATTAGE
10LM	1180LM @30K/80CRI	11W
15LM	1370LM @30K/80CRI	13W
20LM	1770LM @30K/80CRI	17W
10LM	1180LM @30K/90CRI	11W
15LM	1370LM @30K/90CRI	13W
20LM	1770LM @30K/90CRI	17W
Notes	Delivered lumens based on 40C, 3000K (see page 2)	



FEATURES

- Accommodates a wide range of vertical configuration (3" to 8-1/2")
- No restrictions on slat thickness
- Easy maintenance from below the ceiling, above ceiling access not required
- 15° - 60° beam spread
- UGR < 19
- Multiple mounting, glare control options, trims and finishes available

DIMMING AND CONTROLS

- Flicker free 0-10V dimming to 1%
- Leading & trailing edge (Triac/ELV) dimming to 1%
- Lutron Hi-lume 2-Wire (Eco System) dimming to 0.1%
- Casambi bluetooth dimming to 1%

CONSTRUCTION

- Mounting bar hangers available in 24" and 48" configuration
- Integral driver
- Accommodates slat heights from 2 1/2" to 7"
- 1/8" height adjustment
- Slat cutout by others
- Extruded aluminum housing
- Lexan™ (PC) Optimal connectivity for wireless control signal
- Impact and chemical resistant at the highest level

LED

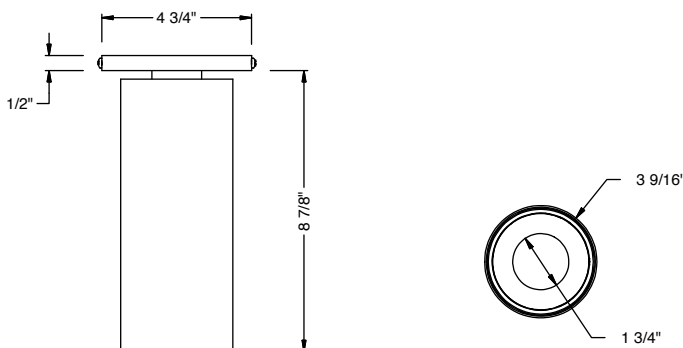
- 90 CRI: SDCM = 2-step MacAdam Ellipse, Lumen Maintenance: L₇₀ > 49,500 hrs
- 80 CRI: SDCM = 3-step MacAdam Ellipse, Lumen Maintenance: L₇₀ > 49,500 hrs

LISTING

- ULus Listed to UL1598 & UL2108; cUL Listed to CSA C22.2 #250.0
- Suitable for dry and damp locations
- 5 Year Limited warranty

ELECTRICAL

- 120V-277V, 120 only Triac / ELV
- Power factor ≥ 0.9
- 2kV driver input surge protection
- Remote emergency test switch
- 7 W, 10W (T20 CEC) and 12W EM 90min battery



alphabet

PROJECT INFORMATION		
JOB NAME		TYPE
ORDERING CODE		

		ORDERING CODE	
SERIES	BETA	cylinder series	
TYPE	3R	3" round	
LED	SW	standard white	
DELIVERED LUMENS	10LM	1180 lm	
	15LM	1370 lm	
	20LM	1770 lm	
Standard Configuration: 3000K 80CRI 20C NL Calculated Delivered Lumens = [Delivered Lumen Value] x [CCT Multiplier] x [Reflector Multiplier]			
CCT	27K	2700K	
	30K	3000K	
	35K	3500K	
	40K	4000K	
		CCT	2700K 3000K 3500K 4000K
		CRI	80+ 90+ 80+ 90+ 80+ 90+ 80+ 90+
		CCT MULTIPLIER FOR LUMEN OUTPUT	0.96 0.81 1 0.84 1.01 0.85 1.03 0.87
CRI	80	80 CRI	
	90	90 CRI	
OPTIC & LM MULTIPLIER SEE PAGE 3	15C	15° reflector with clear lens	(0.95)
	20C	20° reflector with clear lens	(0.97)
	25C	25° reflector with clear lens	(0.97)
	40C	40° reflector with clear lens	(0.96)
	55C	55° reflector with clear lens	(0.95)
	40D	40° reflector with diffused lens	(0.93)
	45D	45° reflector with diffused lens	(0.92)
	50D	50° reflector with diffused lens	(0.92)
	60D	60° reflector with diffused lens	(0.93)
	20HET	20° high efficiency textured lens, similar to Solite™	
	25HET	25° high efficiency textured lens, similar to Solite™	
	30HET	30° high efficiency textured lens, similar to Solite™	
	40HET	40° high efficiency textured lens, similar to Solite™	
50HET	50° high efficiency textured lens, similar to Solite™		
ACCESSORY	HCL ²	honeycomb louver	
	Attached to Bezel		
BEZEL LENS SEE PAGE 3	NL ³	no lens	(1.00)
FINISH SEE PAGE 3	BK	black	
	WH	white	
	MC	matte chrome	
BEZEL COLOR SEE PAGE 3	BK	black	(0.98)
	WH	white	(1.00)
	MC	matte chrome	(0.99)
	WT	wheat	(0.99)
	BZ	bronze	(0.99)

		ORDERING CODE	
VOLTAGE	120	120V	
	UNV	120V-277V	
DIMMING	DIM10	0-10V dimming to 1%	
	LUTP ⁴	Lutron Hi-lume Premier Ecosystem dimming to 0.1%, Soft-on & Fade-to-Black	
	ELV1 ⁵	leading & trailing edge (Triac/ELV) dimming to 1%	
	CAS	Casambi Bluetooth control with flicker free 1% dimming	
ELECTRICAL OPTIONS	EM7	remote emergency battery backup, 90 minutes at 7 watts to LED	
	EM12	remote emergency battery backup, 90 minutes at 12 watts to LED	
	EM10CA20	remote emergency battery backup, 90 minutes at 10W to LED, CA title 20	
MOUNTING OPTIONS SEE PAGES 6 - 8	SLAT-1 ⁶	mounting hardware kit for 2 1/2" to 8 1/2" slat height	
SIZE	24MB	mounting bars 24" set (extendable from 14" to 24")	
	48MB	mounting bars 48" set (extendable from 26" to 48")	
CONSTRUCTION	SF	single (1) fixture setup	
	CF	continuous run (2) fixture setup (fixture every 24" or 48")	

YOUR COMPLETED ORDERING CODE	
Follow the steps to specify your fixture, example:	
BETA - 3R - SW - 15LM - 35K - 80 - 20C - HCL - NL - WH - WH - UNV - DIM10 - EM7 - SLAT-1 - 24MB - SF	

NOTES

- 15C only available in 10LM/15LM.
- HCL not available with lens. Multiply delivered lumens by (0.78) and beam spread by (0.80).
- NL option available for 15C/20C/25C/40C/55C.
- LUTP available in cable with extended canopy.
- ELV1 available in 120V.
- Refer page 7 for accurate values

* Order the Slat Ceiling mounting kit (shown above) for each Luminaire.
Refer to page 2 for detailed dimensions.

alphabet

PROJECT INFORMATION		
JOB NAME		TYPE
ORDERING CODE		

BEZEL OPTIONS

BEZEL COLORS



OPTICAL OPTIONS

- UGR calculation based on CIE 117-1995; room size: 4H X 8H, reflectance: 70/50/20;
- UGR calculation based on 15LM fixtures.



OPTIC	BEAM ANGLE	UGR
15C	16.2	17.1
20C	20.6	17.3
25C	23.5	17.5
40C	37.4	18
55C	55.8	18.6



OPTIC	BEAM ANGLE	UGR
40D	42.6	21.9
45D	45.2	22.2
50D	52.4	22.9
60D	58.9	23.6



OPTIC	BEAM ANGLE	UGR
20HET	19.5	17.7
25HET	24.4	18
30HET	27	18.6
40HET	38.5	19.1
50HET	49.5	19.4



OPTIC	BEAM ANGLE	UGR
15C	14	17.2
20C	21	16.6
25C	25	16.8
40C	39	17.7
55C	55	18



OPTIC	BEAM ANGLE	UGR
15C	12	≤5
20C	16	≤5
25C	20	≤5
40C	32	≤5
55C	44	≤5

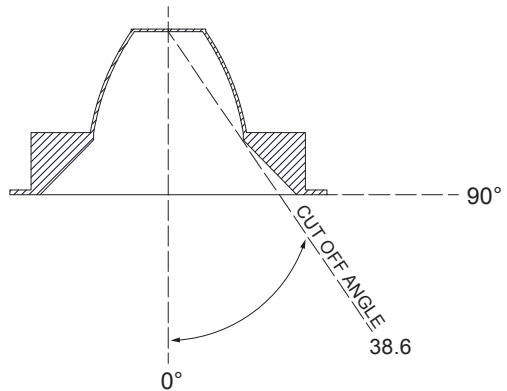
GLARE CONTROL

CUT-OFF ANGLE

Visual comfort is achieved with a lower cut-off angle due to improved glare control. The smaller the cut-off angle, the easier it is on the eye.

Alphabet downlights have been thoughtfully engineered to eliminate glare while still delivering functional illumination.

- Cutoff angle of CL is 38.6 degrees;



alphabet

PROJECT INFORMATION		
JOB NAME		TYPE
ORDERING CODE		

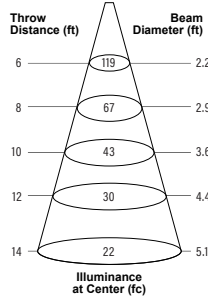
PHOTOMETRIC DATA

10LM CCT MULTIPLIERS

	80CRI	90CRI
2700K	0.96	0.81
3000K	1	0.85
3500K	1.03	0.88
4000K	1.06	0.91

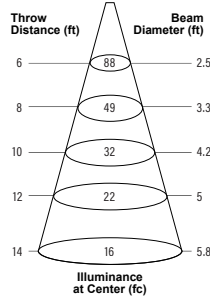
FC Formula = CBCP / Distance²

20C 20° REFLECTOR WITH CLEAR LENS



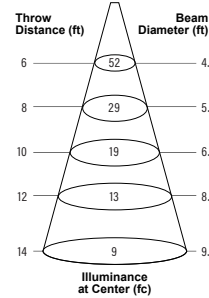
WATTS: 8.6	LPW: 109.6
LUMENS: 942	CCT: 3000K
INTENSITY	
DEGREE	CANDELA
0	4291
5	3694
15	1004
25	380
35	242
45	7

25C 24° REFLECTOR WITH CLEAR LENS



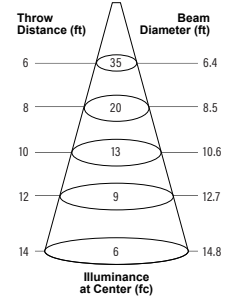
WATTS: 8.6	LPW: 110.2
LUMENS: 948	CCT: 3000K
INTENSITY	
DEGREE	CANDELA
0	3159
5	2764
15	1117
25	503
35	239
45	7

40C 38° REFLECTOR WITH CLEAR LENS



WATTS: 8.6	LPW: 110.1
LUMENS: 947	CCT: 3000K
INTENSITY	
DEGREE	CANDELA
0	1857
5	1787
15	1204
25	591
35	262
45	8

55C 56° REFLECTOR WITH CLEAR LENS



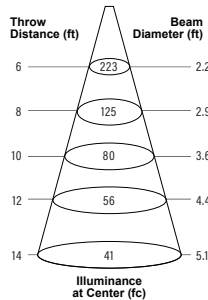
WATTS: 8.6	LPW: 109.8
LUMENS: 944	CCT: 3000K
INTENSITY	
DEGREE	CANDELA
0	1260
5	1240
15	1105
25	746
35	268
45	9

20LM CCT MULTIPLIERS

	80CRI	90CRI
2700K	0.96	0.81
3000K	1	0.85
3500K	1.03	0.88
4000K	1.06	0.91

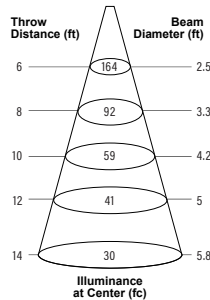
FC Formula = CBCP / Distance²

20C 20° REFLECTOR WITH CLEAR LENS



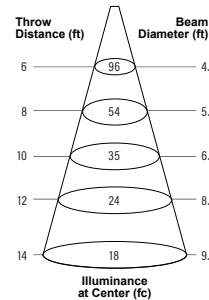
WATTS: 16.5	LPW: 106.7
LUMENS: 1761	CCT: 3000K
INTENSITY	
DEGREE	CANDELA
0	8021
5	6905
15	1877
25	711
35	452.3
45	13

25C 24° REFLECTOR WITH CLEAR LENS



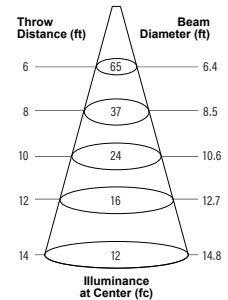
WATTS: 16.5	LPW: 107.4
LUMENS: 1771	CCT: 3000K
INTENSITY	
DEGREE	CANDELA
0	5904
5	5167
15	2088
25	939
35	447
45	12

40C 38° REFLECTOR WITH CLEAR LENS



WATTS: 16.5	LPW: 107.3
LUMENS: 1770	CCT: 3000K
INTENSITY	
DEGREE	CANDELA
0	3471
5	3340
15	2250
25	1104
35	490
45	15

55C 56° REFLECTOR WITH CLEAR LENS



WATTS: 16.5	LPW: 107
LUMENS: 1765	CCT: 3000K
INTENSITY	
DEGREE	CANDELA
0	2356
5	2318
15	2065
25	1394
35	501
45	17

alphabet

PROJECT INFORMATION		
JOB NAME		TYPE
ORDERING CODE		

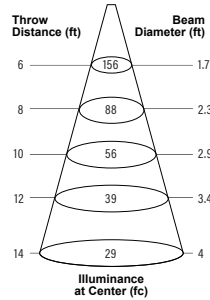
PHOTOMETRIC DATA

10LM CCT MULTIPLIERS

	80CRI	90CRI
2700K	0.96	0.81
3000K	1	0.85
3500K	1.03	0.88
4000K	1.06	0.91

FC Formula = CBCP / Distance²

15C 16° REFLECTOR WITH CLEAR LENS



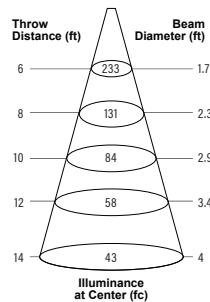
WATTS: 10.2	LPW: 82.1
LUMENS: 838	CCT: 3000K
INTENSITY	
DEGREE	CANDELA
0	5631
5	4276
15	655
25	308
35	247
45	4

15LM CCT MULTIPLIERS

	80CRI	90CRI
2700K	0.96	0.81
3000K	1	0.85
3500K	1.03	0.88
4000K	1.06	0.91

FC Formula = CBCP / Distance²

15C 16° REFLECTOR WITH CLEAR LENS



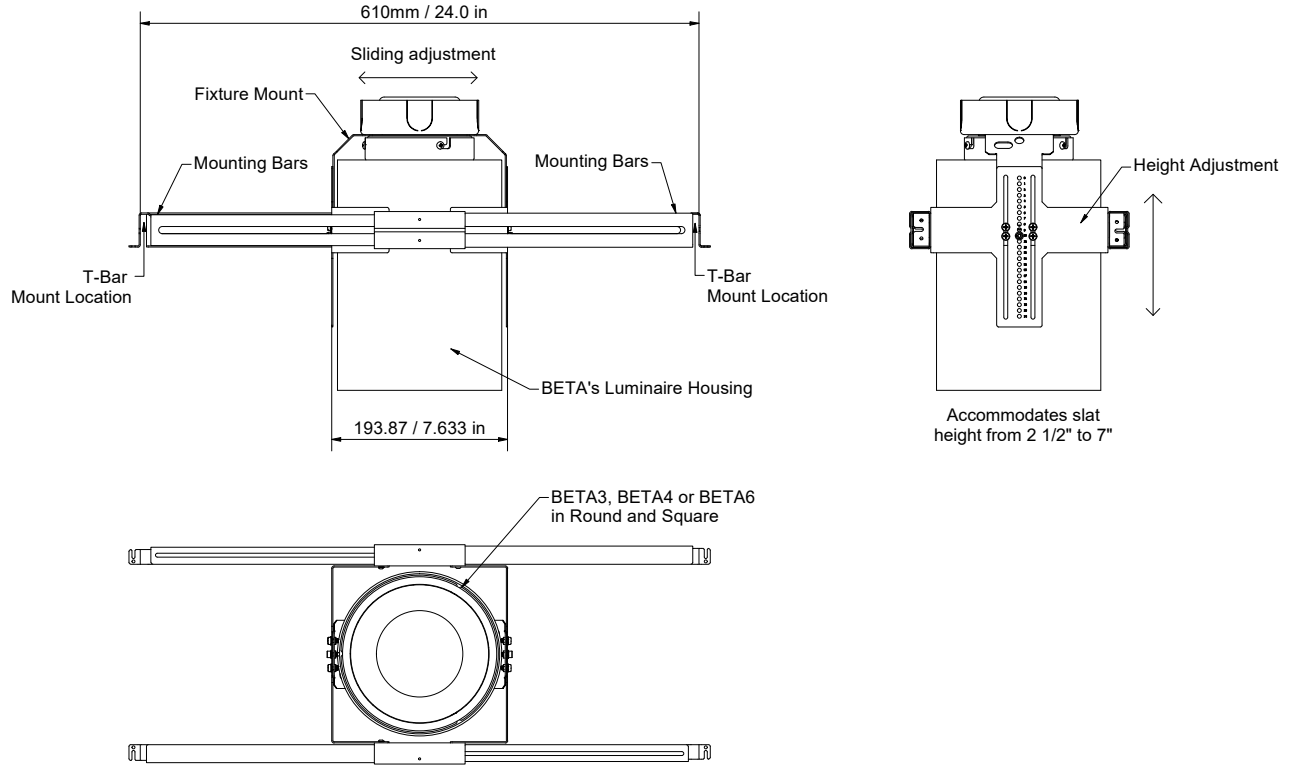
WATTS: 17.7	LPW: 70.6
LUMENS: 1250	CCT: 3000K
INTENSITY	
DEGREE	CANDELA
0	8398
5	6377
15	977
25	459
35	369
45	6

alphabet

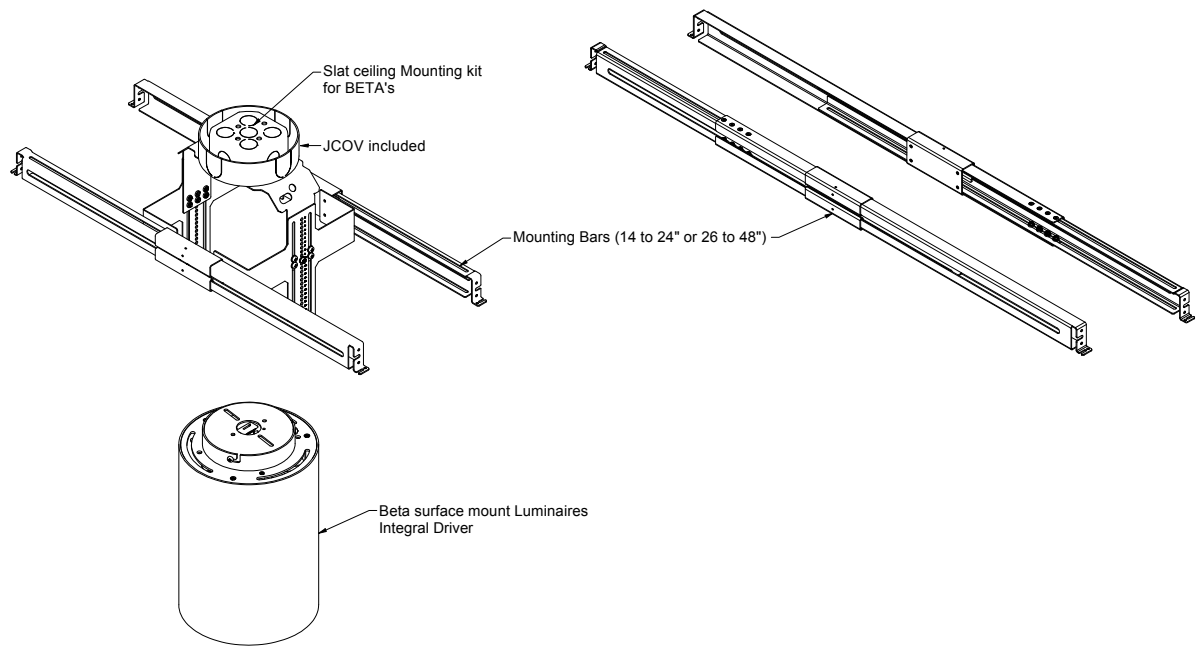
PROJECT INFORMATION		
JOB NAME		TYPE
ORDERING CODE		

MOUNTING OPTIONS

FUNCTIONALITY



COMPONENTS

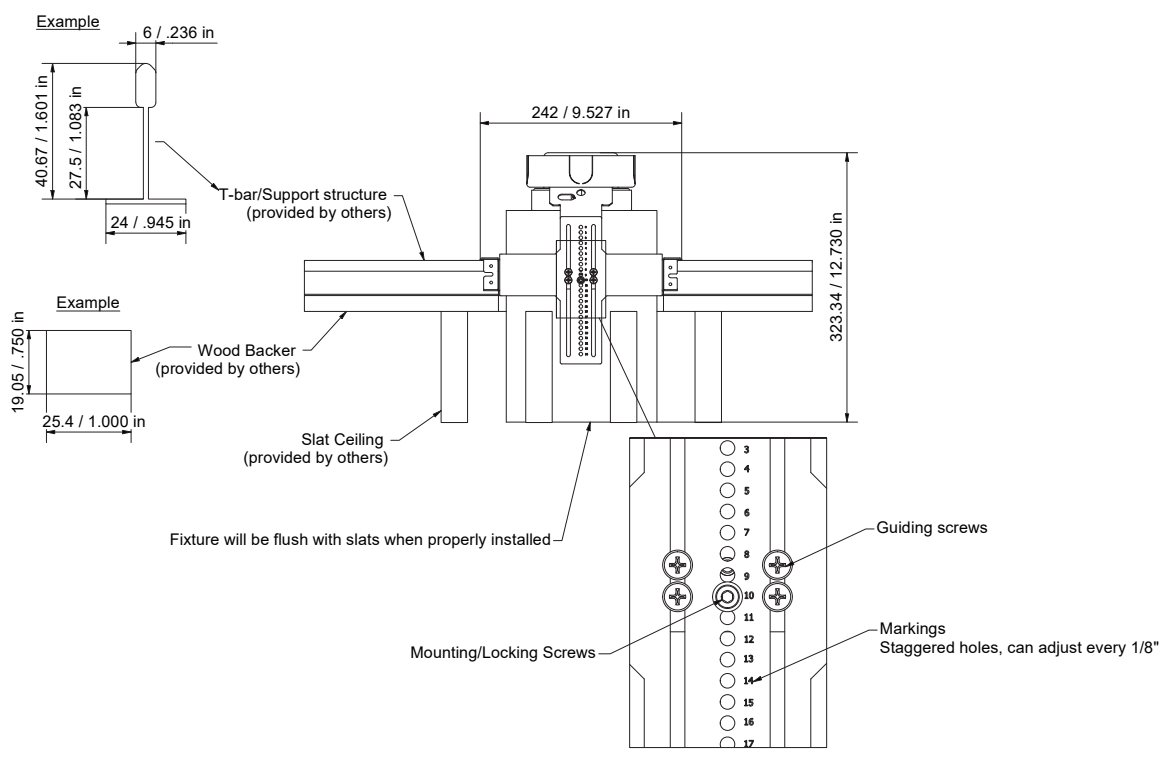


alphabet

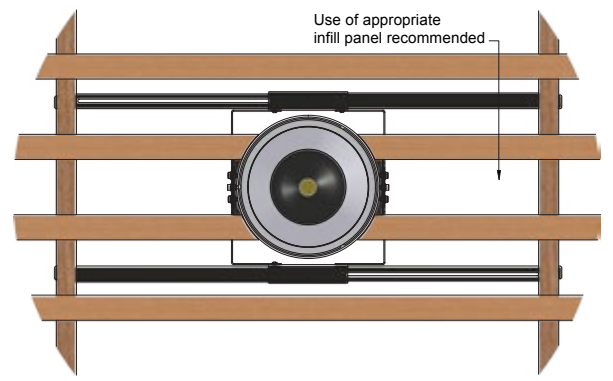
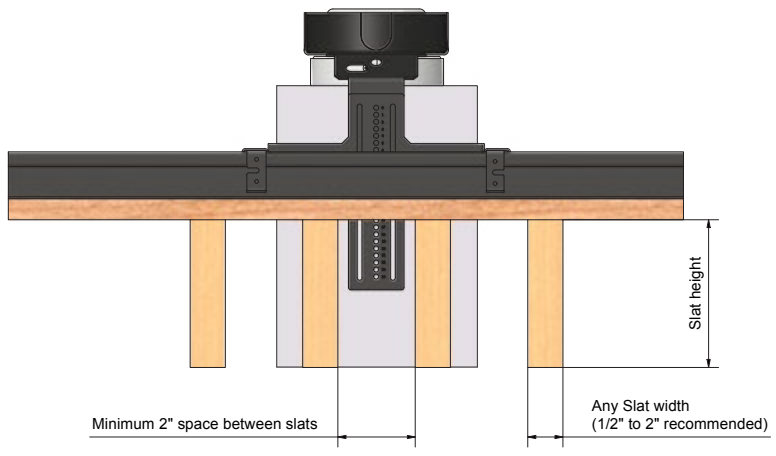
PROJECT INFORMATION		
JOB NAME		TYPE
ORDERING CODE		

MOUNTING OPTIONS

CONSTRUCTION & MOUNTING



SPECIFICATIONS



LIMITATIONS

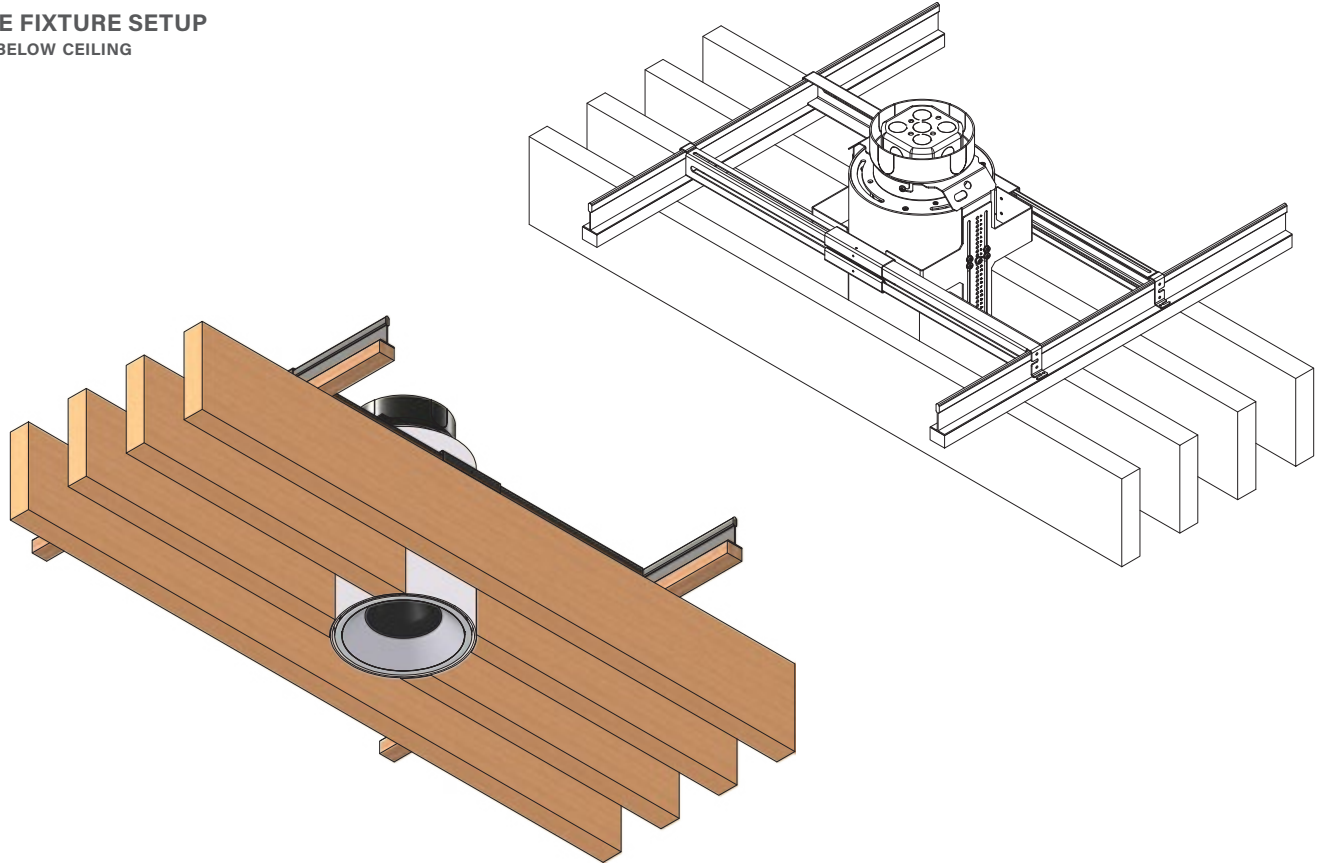
FIXTURE TYPE	SLAT HEIGHT	SLAT HOLE CUT SIZE RECOMMENDED
BETA3	2 1/2" - 7"	3 5/8" - 3 3/4"
BETA4	2 1/2" - 8"	4 1/8" - 5"
BETA6	3" - 8 1/2"	7 1/4" - 7 1/2"

alphabet

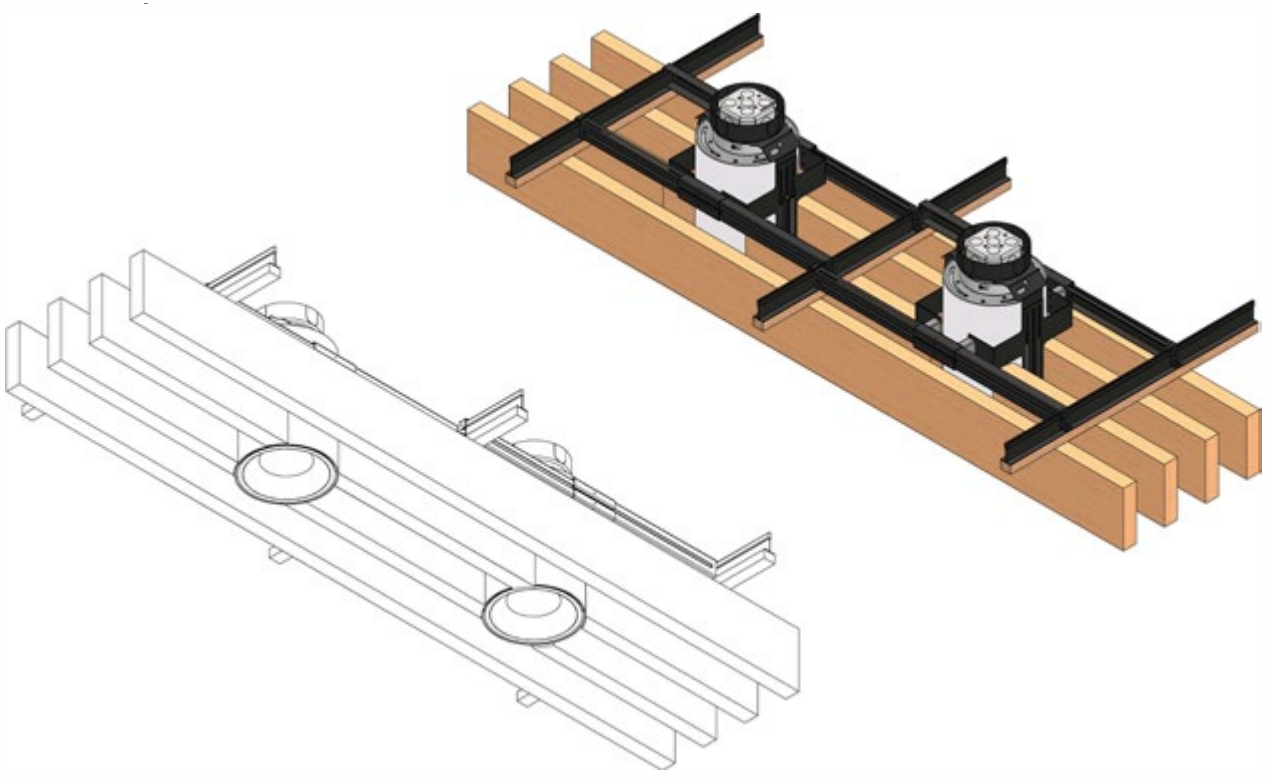
PROJECT INFORMATION		
JOB NAME	TYPE	
ORDERING CODE		

MOUNTING OPTIONS

SF - SINGLE FIXTURE SETUP APPEARANCE BELOW CEILING



CF - CONTINUOUS RUN TWO FIXTURE SETUP (FIXTURES EVERY 24") APPEARANCE BELOW CEILING



PROJECT INFORMATION			
JOB NAME		TYPE	
ORDERING CODE			

BATTERY OPTIONS

EMERGENCY BATTERY

IOTA's ILB battery backups are UL Listed LED emergency drivers that allow the same LED fixture to be used for both normal and emergency operation. In the event of a power failure, the ILB switches to the emergency mode and operates the existing fixture for 90 minutes. The unit contains a battery, charger, and converter circuit in a single can. The constant power design of the ILB maintains the output wattage to the LED array even as the system voltage diminishes. UL 924 Listed for U.S. and Canada. UL 1310 Certified, output class 2 compliant. Includes single-piece TBTS test switch and charge indicator accessory kit. For use with switched and unswitched fixtures, and includes two-wire universal AC input. Meets or exceeds all National Electric Code and Life Safety Code Emergency Lighting requirements. Rated for use in plenum, damp location, recessed type IC, and enclosed and gasketed luminaires.

REMOTE TEST SWITCH

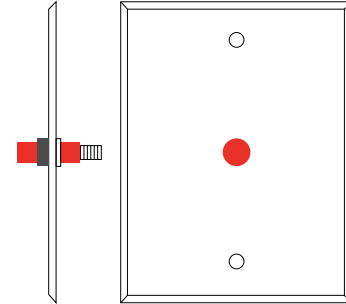
The remote test switch may be mounted adjacent to the LED Fixture by others.

EMERGENCY BATTERY ACCESS

Above ceiling access is recommended for ease of service.

REMOTE LOCATION

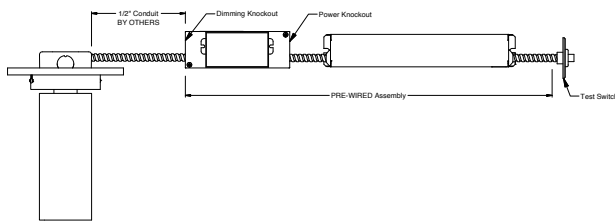
Maximum remote mounting distance of the emergency driver shall be 50 feet. Remote location wiring provided by others. Follow all local and national electric/building codes.



Remote Test Switch

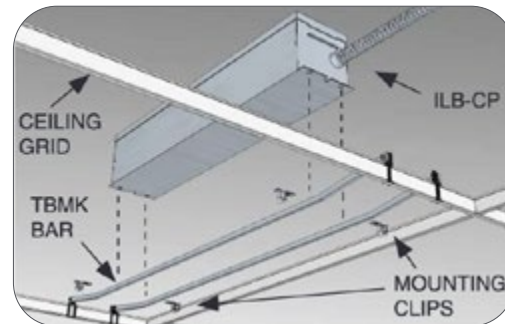
EM MODE OUTPUT (DELIVERED LUMENS)			
LUMEN ORDERING CODE	EM7	EM10	EM12
ALL OPTIONS (10LM TO 20LM)	880LM	1280LM	1480LM
Notes: Based on 30K, 80CRI			

REMOTE BATTERY



Accessory

76066 Optional T-Grid Mounting Kit



1. Can be used with any of the Emergency Battery Backups. Must be ordered as a separate line item.