

PROJECT INFORMATION		
JOB NAME		TYPE
ORDERING CODE		

NU essentials

4" Round & Square Downlight Standard White



30° - 80° BEAM (Note: Specifications are subject to change without notice)		
14mm COB PERFORMANCE DATA		
LED LIGHT ENGINE	NOMINAL DELIVERED LUMENS	SYSTEM WATTAGE
10LM	1070LM @30K/90CRI	11W
13LM	1360LM @30K/90CRI	14W
15LM	1560LM @30K/90CRI	16W
20LM	2000LM @30K/90CRI	21W
Notes	Delivered lumens based 40D with no lens (see page 2)	



eldoLED
your product | our drive

FEATURES

- Economical choice for budget projects
- Thermally optimized for LED longevity
- Fully casted assembly
- 30° - 80° optical beam control
- Packaging material consists of 60-80% post-consumer recycled fiber

DIMMING AND CONTROLS

- eldoLED Flicker free 0-10V dimming to 1%
- Leading & trailing edge (Triac/ELV) dimming to 1%

CONSTRUCTION

- Aluminum trim and bezel
- Electrocoated 16-gauge cold-rolled steel construction
- Accommodates ceiling thickness from 1/4" to 1"

LED

- 90 CRI: SDCM = 2-step MacAdam Ellipse, Lumen Maintenance: L₇₀ > 66,000 hrs

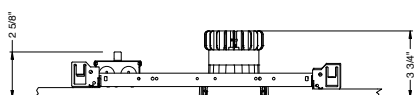
LISTING

- ULus Listed to UL1598; cUL Listed to CSA C22.2 #250.0
- NSF/ANSI-2 with lens (Non-Food and Splash Zones)
- IP44 with lens - suitable for wet location with lens - suitable damp location without lens
- 5 Year Limited warranty

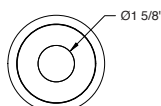
ELECTRICAL

- 120V-277V, 120 only Triac / ELV
- Power factory ≥ 0.9
- 2kV driver input surge protection
- 7W and 10W (T20 CEC) EM 90min battery
- Max. ambient installation temperature 104°F (40°C)

FIXTURE HEIGHT

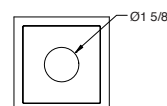


ROUND

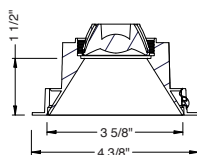


ceiling cutout
4" diameter
ceiling thickness
1/4" to 1"

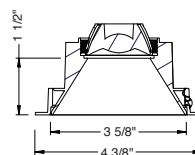
SQUARE



ceiling cutout
4" x 4" square
ceiling thickness
1/4" to 1"



aperture dimensions



aperture dimensions

alphabet

PROJECT INFORMATION		
JOB NAME		TYPE
ORDERING CODE		

30°- 80° BEAM ORDERING CODE

SERIES	NUE4	NUE					
TYPE	RD	round downlight					
	QD	square downlight					
LED	SW	standard white					
DELIVERED LUMENS	10LM	1070 lm					
	13LM	1360 lm					
	15LM	1560 lm					
	20LM	2000 lm					
	Standard Configuration: 3000K 90CRI 40D NL Calculated Delivered Lumens = [Delivered Lumen Value] x [CCT Multiplier] x [Reflector Multiplier]						
CCT	27K	2700K	CCT	2700K	3000K	3500K	4000K
	30K	3000K	CRI	90+	90+	90+	90+
	35K	3500K	CCT MULTIPLIER FOR LUMEN OUTPUT	.96	1	1.03	1.06
	40K	4000K					
CRI	90	90 CRI					
OPTIC & LM MULTIPLIER SEE PAGE 3	30D	30 degrees	(0.95)				
	40D	40 degrees	(1.00)				
	60D	60 degrees	(1.00)				
For 80° choose '60D' + 'DL' lens.							
LENS	NL¹	no lens	(1.00)				
	CL²	clear lens	(0.95)				
	DL²	diffused lens	(0.76)				
	HET²	high efficiency textured lens, similar to Solite™	(0.92)				
	HCL³	honeycomb louver	(0.64)				
TRIM COLOR	BK	black					
	WH	white					
	MC	matte chrome					
BEZEL COLOR	BK	black	(0.95)				
	WH	white	(1.00)				
	MC	matte chrome	(0.99)				

30°- 80° BEAM ORDERING CODE

MOUNTING OPTIONS SEE PAGE 4, 6	NC	new construction with ceiling fitting plate
	NCIC⁴	new construction with ceiling fitting plate, insulation contact rated (no housing required)
	IC	insulation contact housing
	ICAT	insulation contact/airtight housing
	CP	chicago plenum housing
	RET	retrofit, no ceiling fitting plate
	RETIC⁴	retrofit, no ceiling fitting plate, insulation contact rated (no housing required)
VOLTAGE	I20	120V
	UNV	120V-277V
DIMMING	DIM10	eldoLED flicker free 0-10V dimming to 1%
	ELVI⁵	leading & trailing edge (Triac/ELV) dimming to 1%
ELECTRICAL OPTIONS	EM7	emergency battery backup, 90 minutes at 7W to LED
	EM10CA20	emergency battery backup, 90 minutes at 10W to LED, CA title 20

ADDITIONAL MOUNTING INFO

New Construction Bar Hangers (included)	Mounting Length: 14-3/4" to 26"
Extension Kit p/n: K20266 (ordered separately, 1 per fixture)	Extends a pair of Bar Hangers Total Mounting Length: 29" to 48"

YOUR COMPLETED ORDERING CODE

Follow the steps to specify your fixture, example:
NUE4 - RD - SW - 20LM - 30K - 90 - 30D - NL - WH - WH - NC - UNV - DIM10

NOTES

- NL lens option does not meet requirements for WET/NSF listings.
- CL/DL/HET lens options with IC or ICAT housing are JA8 compliant.
- HCL cannot be used with lens (max 1 media).
- NCIC/RETIC are available in 10LM/13LM rated for insulation contact (IC), no "IC-Housing" required.
- ELVI available in 120V.

alphabet

PROJECT INFORMATION		
JOB NAME		TYPE
ORDERING CODE		

TRIM OPTIONS

TRIM/BEZEL COLORS



OPTICAL OPTIONS

- UGR calculation based on CIE 117-1995; room size: 4H X 8H, reflectance: 70/50/20;
- UGR calculation based on 15LM fixtures, unless otherwise noted.



OPTIC	BEAM ANGLE	UGR
30D	30	8.5
40D	37	7.7
60D	47	13.9



OPTIC	BEAM ANGLE	UGR
30D	31	14
40D	41	11
60D	58	17.9



OPTIC	BEAM ANGLE	UGR
30D	32	13.4
40D	42	11.9
60D	58	17.9



OPTIC	BEAM ANGLE	UGR
30D	65	21.2
40D	70	22.3
60D	80	23.2



OPTIC	BEAM ANGLE	UGR
30D	34	13.5
40D	41	13.9
60D	56	18.8

alphabet

PROJECT INFORMATION		
JOB NAME		TYPE
ORDERING CODE		

PHOTOMETRIC DATA

10LM CCT MULTIPLIERS	
	90CRI
2700K	0.96
3000K	1
3500K	1.03
4000K	1.06
FC Formula = CBCP / Distance ²	

30D-NL 31°, NO LENS	
Throw Distance (ft)	Beam Diameter (ft)
6	7.4
8	4.1
10	2.7
12	1.8
14	1.4
Illuminance at Center (fc)	
WATTS: 10.4	LPW: 97.2
LUMENS: 1011	CCT: 3000K
INTENSITY	
DEGREE	CANDELA
0	2653
5	2580
15	1442
25	496
35	152
45	30

40D-NL 41°, NO LENS	
Throw Distance (ft)	Beam Diameter (ft)
6	6.4
8	3.6
10	2.3
12	1.6
14	1.2
Illuminance at Center (fc)	
WATTS: 10.4	LPW: 102.9
LUMENS: 1070	CCT: 3000K
INTENSITY	
DEGREE	CANDELA
0	2293
5	2242
15	1761
25	631
35	100
45	15

60D-NL 58°, NO LENS	
Throw Distance (ft)	Beam Diameter (ft)
6	3.5
8	2.0
10	1.3
12	0.9
14	0.6
Illuminance at Center (fc)	
WATTS: 10.4	LPW: 100.6
LUMENS: 1046	CCT: 3000K
INTENSITY	
DEGREE	CANDELA
0	1251
5	1242
15	1137
25	813
35	300
45	47

60D-DL 80°, DIFFUSED LENS	
Throw Distance (ft)	Beam Diameter (ft)
6	1.4
8	0.8
10	0.5
12	0.4
14	0.3
Illuminance at Center (fc)	
WATTS: 10.4	LPW: 75.7
LUMENS: 788	CCT: 3000K
INTENSITY	
DEGREE	CANDELA
0	518
5	514
15	481
25	415
35	321
45	191

20LM CCT MULTIPLIERS	
	90CRI
2700K	0.96
3000K	1
3500K	1.03
4000K	1.06
FC Formula = CBCP / Distance ²	

30D-NL 31°, NO LENS	
Throw Distance (ft)	Beam Diameter (ft)
6	138
8	78
10	50
12	35
14	25
Illuminance at Center (fc)	
WATTS: 20.7	LPW: 91.5
LUMENS: 1893	CCT: 3000K
INTENSITY	
DEGREE	CANDELA
0	4969
5	4832
15	2700
25	929.53
35	285
45	56

40D-NL 41°, NO LENS	
Throw Distance (ft)	Beam Diameter (ft)
6	119
8	67
10	43
12	30
14	22
Illuminance at Center (fc)	
WATTS: 20.7	LPW: 96.8
LUMENS: 2004	CCT: 3000K
INTENSITY	
DEGREE	CANDELA
0	4294
5	4198
15	3298
25	1182
35	187
45	27

60D-NL 58°, NO LENS	
Throw Distance (ft)	Beam Diameter (ft)
6	6.5
8	3.7
10	2.3
12	1.6
14	1.2
Illuminance at Center (fc)	
WATTS: 20.7	LPW: 94.7
LUMENS: 1959	CCT: 3000K
INTENSITY	
DEGREE	CANDELA
0	2342.775
5	2326
15	2129
25	1523
35	561
45	88

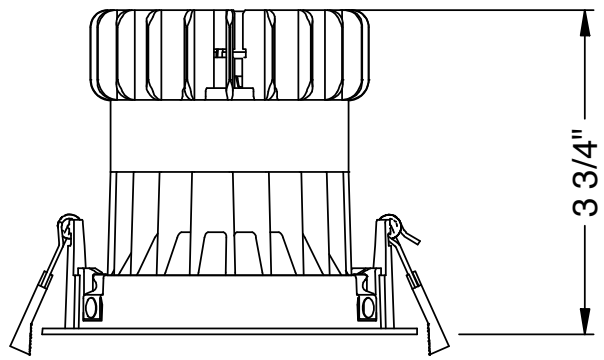
60D-DL 80°, DIFFUSED LENS	
Throw Distance (ft)	Beam Diameter (ft)
6	2.7
8	1.5
10	1.0
12	0.7
14	0.5
Illuminance at Center (fc)	
WATTS: 20.7	LPW: 71.3
LUMENS: 1475	CCT: 3000K
INTENSITY	
DEGREE	CANDELA
0	970
5	962
15	901
25	778
35	602
45	357

alphabet

PROJECT INFORMATION		
JOB NAME		TYPE
ORDERING CODE		

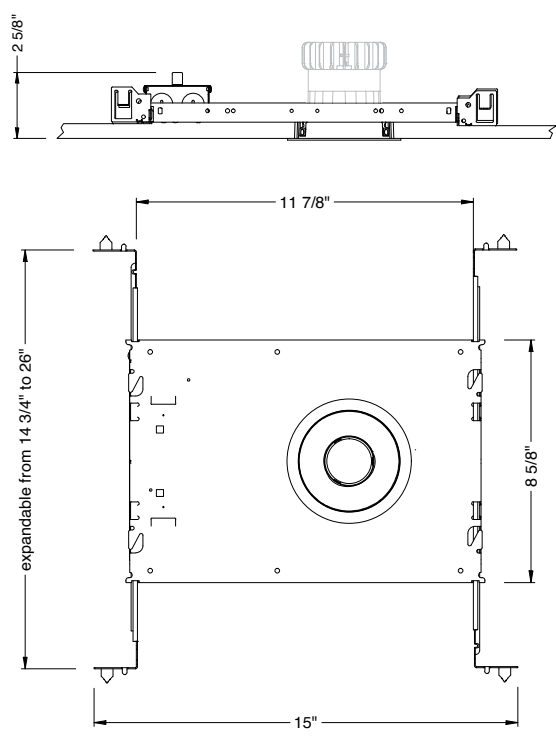
MOUNTING OPTIONS

FIXTURE HEIGHT

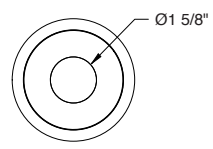


NC - NEW CONSTRUCTION

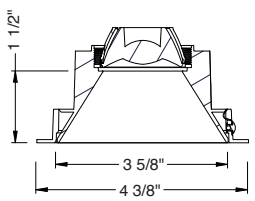
TRIM



ROUND

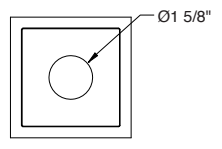


ceiling cutout
4" diameter
ceiling thickness
1/4" to 1"

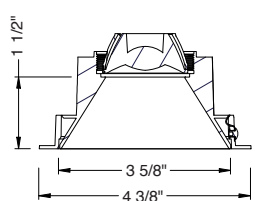


aperture dimensions

SQUARE



ceiling cutout
4" x 4" square
ceiling thickness
1/4" to 1"

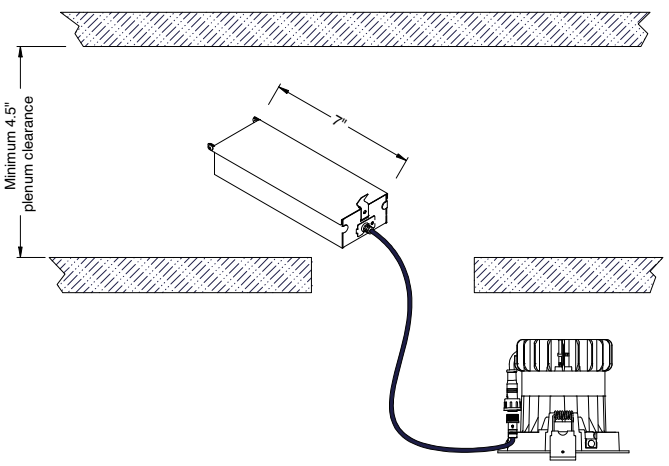


aperture dimensions

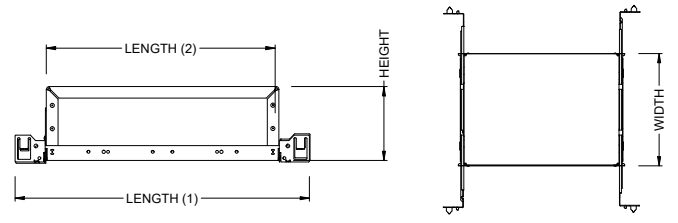
PROJECT INFORMATION		
JOB NAME		TYPE
ORDERING CODE		

MOUNTING OPTIONS (CONTINUED)

NC - RET - NCIC - RETIC



IC - INSULATION CONTACT HOUSING ICAT - INSULATION CONTACT / AIR TIGHT CP - CHICAGO PLENUM



BOX SIZE	L 1	L 2	W	H
A	15 - 7/16"	11 - 3/4"	8 - 1/2"	6 - 3/4"

RATINGS / CERTIFICATIONS	NC	RET	IC	ICAT	CP	NCIC	RETIC
TYPE NON-IC	✓	✓					
TYPE IC			✓	✓		✓	✓
CHICAGO PLENUM (CCEA)					✓		
SUITABLE FOR AIR HANDLING PLENUMS	✓	✓	✓	✓	✓	✓	✓

BOX TYPE / LUMEN OUTPUT - STANDARD BEAMS (30° - 80)			
LUMEN OUTPUT	BOX - A		
	IC	ICAT	CP
10LM	✓	✓	✓
15LM	✓	✓	✓
20LM	✓	✓	✓

CEILING THICKNESS	
FIXTURE TYPE	MOUNTING TYPE
	STANDARD CEILING THICKNESS
TRIM	1/4" to 1"

PROJECT INFORMATION		
JOB NAME		TYPE
ORDERING CODE		

BATTERY OPTIONS

EMERGENCY BATTERY

IOTA's ILB Battery Backups are UL Listed LED emergency drivers that allow the same LED fixture to be used for both normal and emergency operation. In the event of a power failure, the ILB switches to the emergency mode and operates the existing fixture for 90 minutes. The unit contains a battery, charger, and converter circuit in a single can. The Constant Power design of the ILB maintains the output wattage to the LED array even as the system voltage diminishes. UL 924 Listed for U.S. and Canada. UL 1310 Certified, Output Class 2 Compliant. Includes single-piece TBTS test switch and charge indicator accessory kit. For use with switched and unswitched fixtures, and includes Two-wire universal AC input. Meets or exceeds all National Electric Code and Life Safety Code Emergency Lighting Requirements. Rated for use in Plenum, Damp Location, Recessed Type IC, and Enclosed and Gasketed Luminares.

REMOTE TEST SWITCH

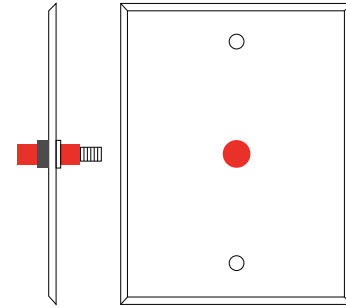
The Remote Test Switch may be mounted adjacent to the LED Fixture by others.

EMERGENCY BATTERY ACCESS

Above ceiling access is required.

REMOTE LOCATION

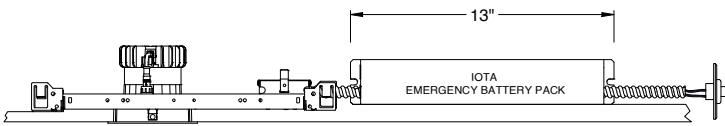
Maximum remote mounting distance of the emergency driver shall be 50 feet. Remote location wiring provided by others. Follow all Local and National Electric/ Building Codes.



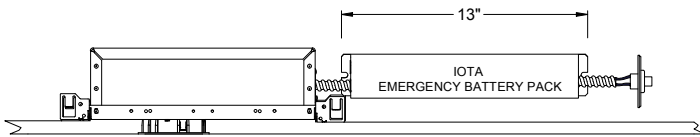
Remote Test Switch

EM MODE OUTPUT (DELIVERED LUMENS)		
LUMEN ORDERING CODE	EM7	EM10
ALL OPTIONS (10LM TO 20LM)	750LM	1070LM
Notes: Based on 30K, 90CRI		

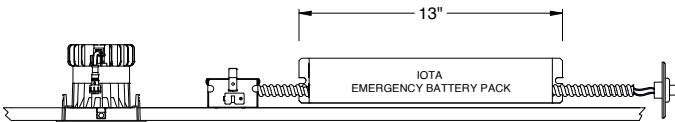
NC - NEW CONSTRUCTION WITH EM BATTERY (REMOTE TEST SWITCH)



IC / ICAT / CP - INSULATION CONTACT HOUSING WITH EM BATTERY (REMOTE TEST SWITCH)

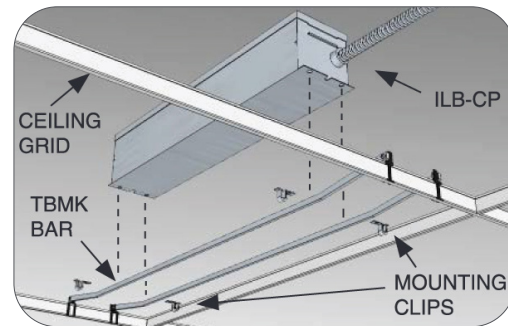


RET - RETROFIT WITH EM BATTERY (REMOTE TEST SWITCH)



Accessory

76066 Optional T-Grid Mounting Kit¹



1. Can be used with any of the Emergency Battery Backups. Must be ordered as a separate line item.