

PROJECT INFORMATION		
JOB NAME		TYPE
ORDERING CODE		

## NU essentials

### 3" Round & Square Adjustable Standard White



30°-80° BEAM		
(Note: Specifications are subject to change without notice)		
10mm COB PERFORMANCE DATA		
LED LIGHT ENGINE	NOMINAL DELIVERED LUMENS	SYSTEM WATTAGE
10LM	990LM @30K/90CRI	11W
15LM	1430LM @30K/90CRI	16W
17LM	1700LM @30K/90CRI	20W
Notes	Delivered lumens based on 45D optic with no lens, (see page 2)	



#### FEATURES

- Economical choice for budget projects
- Thermally optimized for LED longevity
- 30° Tilt, tool-less hot aiming
- Fully casted assembly
- 30° - 80° optical beam control

#### DIMMING AND CONTROLS

- Flicker free 0-10V dimming to 1%
- Leading & trailing edge (Triac/ELV) dimming to 1%

#### CONSTRUCTION

- Aluminum trim and bezel
- Electrocoated 16-gauge cold-rolled steel construction
- Accommodates ceiling thickness from 1/8" to 1-5/8"

#### LED

- 90 CRI: SDCM = 2-step MacAdam Ellipse, Lumen Maintenance: L<sub>70</sub> > 66,000 hrs

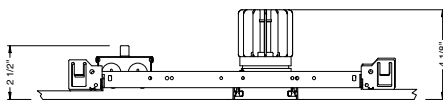
#### LISTING

- ULus Listed to UL1598; cUL Listed to CSA C22.2 #250.0
- NSF/ANSI-2 with lens (Non-Food and Splash Zones)
- Suitable for damp location
- 5 Year Limited warranty

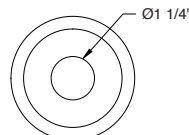
#### ELECTRICAL

- 120V-277V, 120 only Triac / ELV
- Power factory ≥ 0.9
- 2kV driver input surge protection
- 10W (T20 CEC) EM 90min battery
- Max. ambient installation temperature 104°F (40°C)

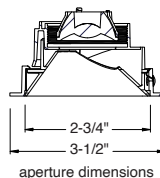
#### FIXTURE HEIGHT



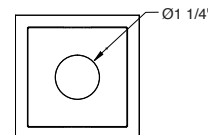
#### ROUND



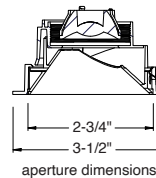
ceiling cutout  
3-1/8" diameter  
ceiling thickness  
1/4" to 1"



#### SQUARE



ceiling cutout  
3-1/8" x 3-1/8" square  
ceiling thickness  
1/4" to 1"



# alphabet

PROJECT INFORMATION		
JOB NAME		TYPE
ORDERING CODE		

## 30°-80° BEAM ORDERING CODE

<b>SERIES</b>	<b>NUE3</b>	NUE				
<b>TYPE</b>	<b>RA</b>	round adjustable				
	<b>QA</b>	square adjustable				
<b>LED</b>	<b>SW</b>	standard white				
<b>DELIVERED LUMENS</b>	<b>10LM</b>	990 lm				
	<b>15LM</b>	1430 lm				
	<b>17LM</b>	1700 lm				
Standard Configuration: 3000K 90CRI 30D NL						
Calculated Delivered Lumens = [Delivered Lumen Value] x [CCT Multiplier] x [Reflector Multiplier]						
<b>CCT</b>	<b>27K</b>	2700K	CCT	2700K	3000K	3500K
	<b>30K</b>	3000K	CRI	90+	90+	90+
	<b>35K</b>	3500K	CCT MULTIPLIER FOR LUMEN OUTPUT	.96	1	1.03
<b>CRI</b>	<b>90</b>	90 CRI				
<b>OPTIC &amp; LM MULTIPLIER</b> SEE PAGE 3	<b>30D</b>	30 degrees				(0.98)
	<b>45D</b>	45 degrees				(1.00)
	<b>55D</b>	55 degrees				(0.96)
For 80° choose '55D' + 'DL' lens.						
<b>BEZEL LENS</b>	<b>NL<sup>1</sup></b>	no lens				(1.00)
	<b>CL<sup>2</sup></b>	clear lens				(0.92)
	<b>DL<sup>2</sup></b>	diffused lens				(0.78)
	<b>HET<sup>2</sup></b>	high efficiency textured lens, similar to Solite™				(0.92)
	<b>HCL<sup>3</sup></b>	honeycomb louver				(0.6)
<b>TRIM COLOR</b>	<b>WH</b>	white				
<b>BEZEL COLOR</b>	<b>WH</b>	white				(1.00)

## 30°-80° BEAM ORDERING CODE

<b>MOUNTING OPTIONS</b> SEE PAGE 5, 6	<b>NC</b>	new construction with ceiling fitting plate
	<b>IC<sup>2</sup></b>	insulation contact housing
	<b>ICAT<sup>2</sup></b>	insulation contact/airtight housing
	<b>CP</b>	chicago plenum housing
	<b>RET</b>	retrofit, no ceiling fitting plate
<b>VOLTAGE</b>	<b>120</b>	120V
	<b>UNV</b>	120V-277V
<b>DIMMING</b>	<b>DIM10</b>	0-10V dimming to 1%
	<b>ELV<sup>4</sup></b>	leading & trailing edge (Triac/ELV) dimming to 1%
<b>ELECTRICAL OPTIONS</b>	<b>EM10CA20</b>	emergency battery backup, 90 minutes at 10W to LED, CA title 20

## ADDITIONAL MOUNTING INFO

New Construction Bar Hangers (included)	Mounting Length: 14-3/4" to 26"
Extension Kit p/n: K20266 (ordered separately, 1 per fixture)	Extends a pair of Bar Hangers Total Mounting Length: 29" to 48"

## YOUR COMPLETED ORDERING CODE

Follow the steps to specify your fixture, example:
<b>NUE3 - RA - SW - 17LM - 35K - 90 - 45D - HET - WH - WH - NC - UNV - DIM10</b>

## NOTES

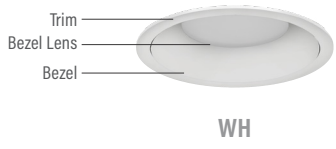
- NL lens option does not meet requirements for WET/NSF listings.
- CL/DL/HET lens options with IC or ICAT housing are JA8 compliant.
- HCL cannot be used with lens (max 1 media).
- NCIC/RETIC are available in 10LM rated for insulation contact (IC), no "IC-Housing" required.

# alphabet

PROJECT INFORMATION		
JOB NAME		TYPE
ORDERING CODE		

## TRIM OPTIONS

### TRIM/BEZEL COLORS



## OPTICAL OPTIONS

- UGR calculation based on CIE 117-1995; room size: 4H X 8H, reflectance: 70/50/20;
- UGR calculation based on 15LM fixtures, unless otherwise noted.



OPTIC	BEAM ANGLE	UGR
30D	30.4	7.3
45D	41.3	10.7
55D	48.2	13.9



OPTIC	BEAM ANGLE	UGR
30D	33	10
45D	47	15.7
55D	55	17.8



OPTIC	BEAM ANGLE	UGR
30D	33	11
45D	46.4	14.9
55D	54.9	17.6



OPTIC	BEAM ANGLE	UGR
30D	64	23.1
45D	74	24.2
55D	81	24.6



OPTIC	BEAM ANGLE	UGR
30D	34	12.9
45D	45.7	16.8
55D	54.8	19

# alphabet

PROJECT INFORMATION		
JOB NAME		TYPE
ORDERING CODE		

## PHOTOMETRIC DATA

10LM CCT MULTIPLIERS	
	90CRI
2700K	0.96
3000K	1
3500K	1.03
4000K	1.06
FC Formula = CBCP / Distance <sup>2</sup>	

30D-NL 33°, NO LENS	
Throw Distance (ft)	Beam Diameter (ft)
6	8.3
8	4.6
10	3.0
12	2.1
14	1.5
Illuminance at Center (fc)	
WATTS: 10.5	LPW: 92.3
LUMENS: 969	CCT: 3000K
INTENSITY	
DEGREE	CANDELA
0	2976
5	2836
15	1723
25	391
35	65
45	15

45D-NL 47°, NO LENS	
Throw Distance (ft)	Beam Diameter (ft)
6	4.6
8	2.6
10	1.7
12	1.2
14	0.8
Illuminance at Center (fc)	
WATTS: 10.5	LPW: 93.8
LUMENS: 985	CCT: 3000K
INTENSITY	
DEGREE	CANDELA
0	1658
5	1630
15	1386
25	698
35	151
45	29

55D-NL 55°, NO LENS	
Throw Distance (ft)	Beam Diameter (ft)
6	3.4
8	1.9
10	1.2
12	0.8
14	0.6
Illuminance at Center (fc)	
WATTS: 10.5	LPW: 90.2
LUMENS: 948	CCT: 3000K
INTENSITY	
DEGREE	CANDELA
0	1219
5	1212
15	1142
25	763
35	218
45	29

55D-DL 81°, DIFFUSED LENS	
Throw Distance (ft)	Beam Diameter (ft)
6	1.3
8	0.7
10	0.5
12	0.3
14	0.2
Illuminance at Center (fc)	
WATTS: 10.5	LPW: 68.9
LUMENS: 724	CCT: 3000K
INTENSITY	
DEGREE	CANDELA
0	471
5	467
15	437
25	377
35	291
45	183

17LM CCT MULTIPLIERS	
	90CRI
2700K	0.96
3000K	1
3500K	1.03
4000K	1.06
FC Formula = CBCP / Distance <sup>2</sup>	

30D-NL 32°, NO LENS	
Throw Distance (ft)	Beam Diameter (ft)
6	1.43
8	0.8
10	0.52
12	0.36
14	0.26
Illuminance at Center (fc)	
WATTS: 19	LPW: 88.3
LUMENS: 1678	CCT: 3000K
INTENSITY	
DEGREE	CANDELA
0	5151
5	4909
15	2983
25	677
35	112
45	26

45D-NL 47°, NO LENS	
Throw Distance (ft)	Beam Diameter (ft)
6	0.8
8	0.45
10	0.29
12	0.2
14	0.15
Illuminance at Center (fc)	
WATTS: 19	LPW: 89.7
LUMENS: 1705	CCT: 3000K
INTENSITY	
DEGREE	CANDELA
0	2869
5	2822
15	2400
25	1207
35	262
45	49

55D-NL 55°, NO LENS	
Throw Distance (ft)	Beam Diameter (ft)
6	0.59
8	0.33
10	0.21
12	0.15
14	0.11
Illuminance at Center (fc)	
WATTS: 19	LPW: 86.3
LUMENS: 1640	CCT: 3000K
INTENSITY	
DEGREE	CANDELA
0	2111
5	2099
15	1976
25	1320
35	377
45	51

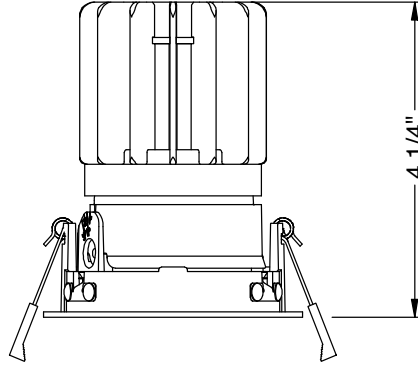
55D-DL 81°, DIFFUSED LENS	
Throw Distance (ft)	Beam Diameter (ft)
6	0.23
8	0.13
10	0.08
12	0.06
14	0.04
Illuminance at Center (fc)	
WATTS: 19	LPW: 65.9
LUMENS: 1253	CCT: 3000K
INTENSITY	
DEGREE	CANDELA
0	814,545
5	809
15	757
25	653
35	504
45	316

# alphabet

PROJECT INFORMATION		
JOB NAME		TYPE
ORDERING CODE		

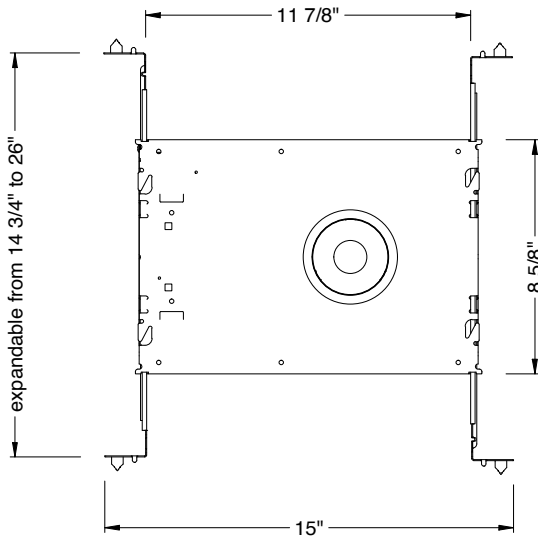
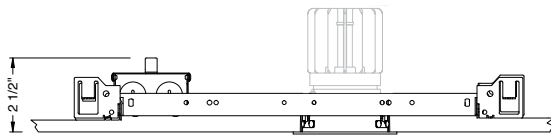
## MOUNTING OPTIONS

### FIXTURE HEIGHT

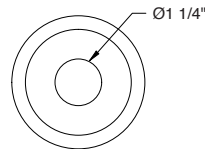


### NC - NEW CONSTRUCTION

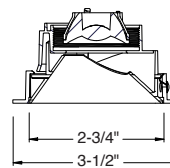
#### TRIM



#### ROUND

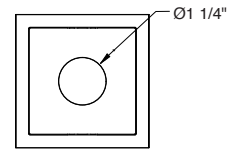


ceiling cutout  
3-1/8" diameter  
ceiling thickness  
1/4" to 1"

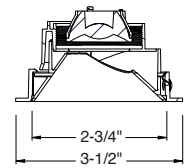


aperture dimensions

#### SQUARE



ceiling cutout  
3-1/8" x 3-1/8" square  
ceiling thickness  
1/4" to 1"

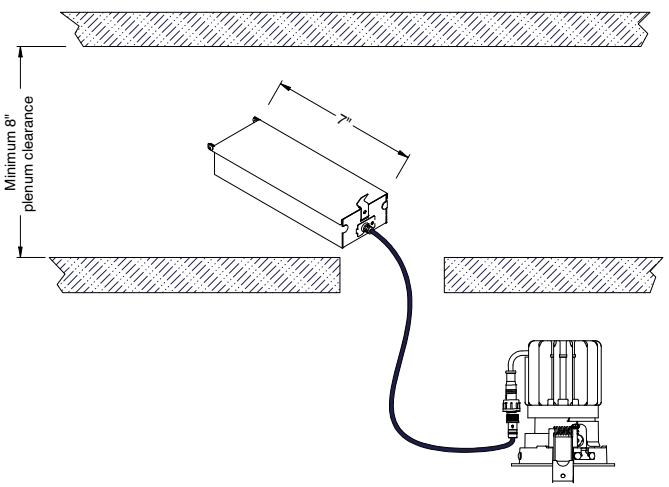


aperture dimensions

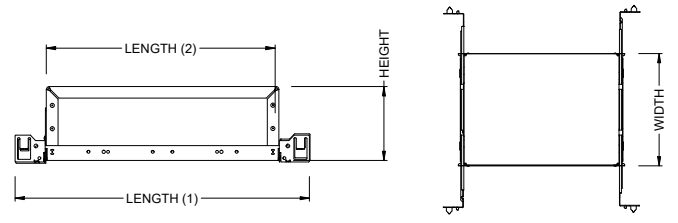
PROJECT INFORMATION		
JOB NAME		TYPE
ORDERING CODE		

## MOUNTING OPTIONS (CONTINUED)

### NC - RET



### IC - INSULATION CONTACT HOUSING ICAT - INSULATION CONTACT / AIR TIGHT CP - CHICAGO PLENUM



BOX SIZE	L 1	L 2	W	H
A	15 - 7/16"	11 - 3/4"	8 - 1/2"	6 - 3/4"

RATINGS / CERTIFICATIONS	NC	RET	IC	ICAT	CP
TYPE NON-IC	✓	✓			
TYPE IC			✓	✓	
CHICAGO PLENUM (CCEA)					✓
SUITABLE FOR AIR HANDLING PLENUMS	✓	✓	✓	✓	✓

BOX TYPE / LUMEN OUTPUT - STANDARD BEAMS (30°-80°)			
LUMEN OUTPUT	BOX - A		
	CP	IC	ICAT
10LM	✓	✓	✓
15LM	✓	✓	✓
17LM	✓	✓	✓

CEILING THICKNESS	
FIXTURE TYPE	MOUNTING TYPE
	STANDARD CEILING THICKNESS
TRIM	1/4" to 1"

PROJECT INFORMATION		
JOB NAME		TYPE
ORDERING CODE		

## BATTERY OPTIONS

### EMERGENCY BATTERY

IOTA's ILB Battery Backups are UL Listed LED emergency drivers that allow the same LED fixture to be used for both normal and emergency operation. In the event of a power failure, the ILB switches to the emergency mode and operates the existing fixture for 90 minutes. The unit contains a battery, charger, and converter circuit in a single can. The Constant Power design of the ILB maintains the output wattage to the LED array even as the system voltage diminishes. UL 924 Listed for U.S. and Canada. UL 1310 Certified, Output Class 2 Compliant. Includes single-piece TBTS test switch and charge indicator accessory kit. For use with switched and unswitched fixtures, and includes Two-wire universal AC input. Meets or exceeds all National Electric Code and Life Safety Code Emergency Lighting Requirements. Rated for use in Plenum, Damp Location, Recessed Type IC, and Enclosed and Gasketed Luminares.

### REMOTE TEST SWITCH

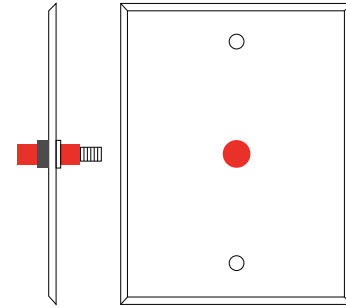
The Remote Test Switch may be mounted adjacent to the LED Fixture by others.

### EMERGENCY BATTERY ACCESS

Above ceiling access is required.

### REMOTE LOCATION

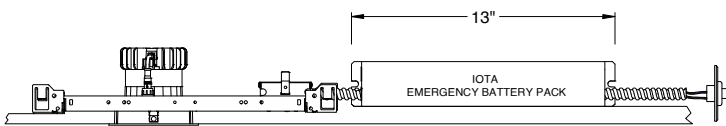
Maximum remote mounting distance of the emergency driver shall be 50 feet. Remote location wiring provided by others. Follow all Local and National Electric/ Building Codes.



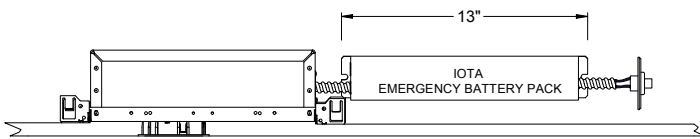
Remote Test Switch

EM MODE OUTPUT (DELIVERED LUMENS)	
LUMEN ORDERING CODE	EM10
10 LM OPTION	990LM
Notes: Based on 30K, 90CRI	

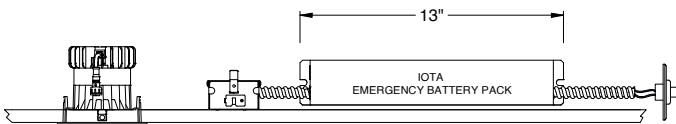
### NC - NEW CONSTRUCTION WITH EM BATTERY (REMOTE TEST SWITCH)



### IC / ICAT / CP - INSULATION CONTACT HOUSING WITH EM BATTERY (REMOTE TEST SWITCH)

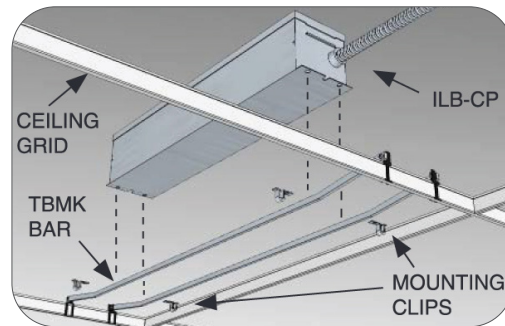


### RET - RETROFIT WITH EM BATTERY (REMOTE TEST SWITCH)



### Accessory

76066 Optional T-Grid Mounting Kit<sup>1</sup>



1. Can be used with any of the Emergency Battery Backups. Must be ordered as a separate line item.