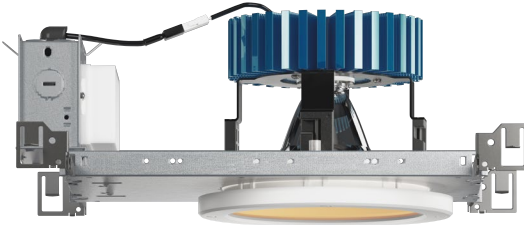


PROJECT INFORMATION		
JOB NAME		TYPE
ORDERING CODE		

NU6

6" Round Downlight Tamper Resistant Standard White



30° - 65° BEAM (Note: Specifications are subject to change without notice)		
14mm COB PERFORMANCE DATA		
LED LIGHT ENGINE	NOMINAL DELIVERED LUMENS	SYSTEM WATTAGE
10LM	760LM @30K/80CRI	9W
15LM	1100LM @30K/80CRI	14W
20LM	1500LM @30K/80CRI	16W
25LM	1840LM @30K/80CRI	20W
30LM	2270LM @30K/80CRI	26W
40LM	3050LM @30K/80CRI	32W
10LM	640LM @30K/90CRI	9W
15LM	930LM @30K/90CRI	14W
20LM	1270LM @30K/90CRI	16W
25LM	1550LM @30K/90CRI	20W
30LM	1910LM @30K/90CRI	26W
40LM	2580LM @30K/90CRI	32W
Notes	Delivered lumens based on SS45 80CRI 3000K (see page 3)	

eldoLED
your product your drive



CASAMBI



FEATURES

- Designed to meet NYS-OMH rigorous requirements
- Spun aluminum frame with stainless steel tamper resistant screws
- Polycarbonate (3mm) shatter proof lensing
- Optical beam control 30° to 65°
- UGR <12
- Antimicrobial (Microban®) painted finishes

DIMMING AND CONTROLS

- eldoLED flicker free 0-10V dimming to 0% and 1%
- eldoLED flicker free DALI dimming to 0% and 1%
- DMX dim to zero
- Lutron Hi-lumen 2-Wire (Eco System) dimming to 0.1% and 1%
- Leading & trailing edge (Triac/ELV) dimming to 1%
- Casambi bluetooth dimming to 1.0%
- nLight control interface dimming to 0%

CONSTRUCTION

- Aluminum 6061 lensing frame
- 18-8 stainless steel tamper resistant screws
- Shatter resistant Polycarbonate (PC) lensing
- Electrocoated 16-gauge cold rolled steel construction
- Accommodates ceiling thickness from 1/8" to 1-5/8"

LED

- 90 CRI: SDCM = 2-step MacAdam Ellipse, Lumen Maintenance: L₇₀ > 66,000 hrs
- 80 CRI: SDCM = 3-step MacAdam Ellipse, Lumen Maintenance: L₇₀ > 66,000 hrs

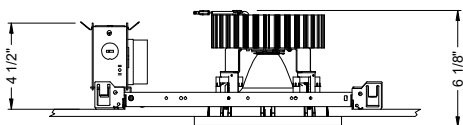
LISTING

- ULus Listed to UL1598 & UL2108; cUL Listed to CSA C22.2 #250.0
- IP65 with lens - Suitable for wet locations
- Non-conductive, dead-front construction (shower approved)
- NSF/ANSI-2 with lens (Non-Food and Splash Zones)
- NYSOMH - New York State Office of Mental Health compliant
- 5 Year Limited warranty

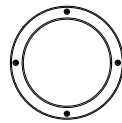
ELECTRICAL

- 120V-277V, 120 only Triac / ELV
- Power factory ≥ 0.9
- 2kV driver input surge protection
- Remote emergency test switch
- 7W, 10W (T20 CEC) and 12W EM 90min battery
- Max. ambient installation temperature 95°F (35°C)

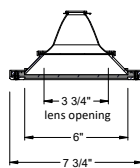
FIXTURE HEIGHT



TAMPER RESISTANT



ceiling cutout
6-3/8"
ceiling thickness
1/8" to 2"



aperture dimensions

PROJECT INFORMATION		
JOB NAME		TYPE
ORDERING CODE		

30°- 65° BEAM ORDERING CODE

SERIES	NU6	NU6																										
TYPE	RDTR	round downlight tamper resistant																										
LED	SW	standard white																										
DELIVERED LUMENS	10LM	760 lm																										
	15LM	1100 lm																										
	20LM	1500 lm																										
	25LM	1840 lm																										
	30LM	2270 lm																										
	40LM	3050 lm																										
Standard Configuration: 3000K 80CRI SS45 Calculated Delivered Lumens = [Delivered Lumen Value] x [CCT Multiplier] x [Reflector Multiplier]																												
CCT	27K	2700K																										
	30K	3000K																										
	35K	3500K																										
	40K	4000K																										
<table border="1"> <thead> <tr> <th rowspan="2">CCT</th> <th colspan="2">2700K</th> <th colspan="2">3000K</th> <th colspan="2">3500K</th> <th colspan="2">4000K</th> </tr> <tr> <th>80+</th> <th>90+</th> <th>80+</th> <th>90+</th> <th>80+</th> <th>90+</th> <th>80+</th> <th>90+</th> </tr> </thead> <tbody> <tr> <td>CRI</td> <td>0.96</td> <td>0.81</td> <td>1.00</td> <td>0.85</td> <td>1.03</td> <td>0.88</td> <td>1.06</td> <td>0.91</td> </tr> </tbody> </table>			CCT	2700K		3000K		3500K		4000K		80+	90+	80+	90+	80+	90+	80+	90+	CRI	0.96	0.81	1.00	0.85	1.03	0.88	1.06	0.91
CCT	2700K			3000K		3500K		4000K																				
	80+	90+	80+	90+	80+	90+	80+	90+																				
CRI	0.96	0.81	1.00	0.85	1.03	0.88	1.06	0.91																				
CRI	80	80 CRI																										
	90	90 CRI																										
OPTIC & LM MULTIPLIER SEE PAGE 3	HE45	45° high efficiency diffused lens	(0.92)																									
	HE60	60° high efficiency diffused lens	(0.92)																									
	HE75	75° high efficiency diffused lens	(0.84)																									
	SS30	30° semi-specular with clear lens	(1.00)																									
	SS45	45° semi-specular with clear lens	(1.00)																									
	SS60	60° semi-specular with clear lens	(1.02)																									
	D40	40° diffused with clear lens	(0.97)																									
	D50	50° diffused with clear lens	(0.98)																									
TRIM COLOR SEE PAGE 3	BK	black																										
	WH	white																										
BEZEL COLOR SEE PAGE 3	MC	matte chrome																										
	BK	black	(0.98)																									
	WH	white	(1.00)																									
	MC	matte chrome	(0.99)																									
Antimicrobial finish, add AM to black, white or matte chrome i.e. BKAM. Includes shatter proof lens and tamper resistant screws.																												

30°- 65° BEAM ORDERING CODE

MOUNTING OPTIONS SEE PAGE 5, 6	NC	new construction with ceiling fitting plate
	RET	retrofit, no ceiling fitting plate
VOLTAGE	120	120V
	UNV	120V-277V
DIMMING	DIM10	eldoLED flicker free 0-10V dimming to 1%
	DIM10Z	eldoLED flicker free 0-10V dimming to 0%
	DALI	eldoLED flicker free DALI 2 dimming to 1%
	DALIZ	eldoLED flicker free DALI 2 dimming to 0%
	DMXZ	DMX dim to zero
	LUT	Lutron Hi-lume Ecosystem dimming to 1%, Soft-on & Fade-to-Black
	LUTP¹	Lutron Hi-lume Premier Ecosystem dimming to 0.1%, Soft-on & Fade-to-Black
ELECTRICAL OPTIONS	ELV1²	leading & trailing edge (Triac/ELV) dimming to 1%
	NLT	nLight control interface: standard Cat-5/RJ45 connection (female), dim to off
	CAS	Casambi Bluetooth control with flicker free 1% dimming
	EM7	emergency battery backup, 90 minutes at 7W to LED
	EM12	emergency battery backup, 90 minutes at 12W to LED
	EM10CA20	remote emergency battery backup, 90 minutes at 10W to LED, CA title 20

ADDITIONAL MOUNTING INFO

New Construction Bar Hangers (included)	Mounting Length: 14-3/4" to 26"
Extension Kit p/n: K20266 (ordered separately, 1 per fixture)	Extends a pair of Bar Hangers Total Mounting Length: 29" to 48"

YOUR COMPLETED ORDERING CODE

Follow the steps to specify your fixture, example:
NU6 - RATR - SW - 20LM - 35K - 90 - D40 - WH - NC - UNV - DIM10

NOTES

- LUTP not available in 25LM/30LM/40LM.
- ELV1 (120V) not available in 10LM.

*EldoLED uses logarithmic dimming curve as standard. For linear dimming curve add "LIN" after dimming code, i.e. DIM10LIN.

PROJECT INFORMATION		
JOB NAME		TYPE
ORDERING CODE		

TRIM OPTIONS

TRIM COLORS



OPTICAL OPTIONS

- UGR calculation based on CIE 117-1995; room size: 4H X 8H, reflectance: 70/50/20;
- UGR calculation based on 15LM fixtures, unless otherwise noted.



OPTIC	BEAM ANGLE	UGR
SS30	30.6	11.7
SS45	45.1	13.2
SS60	60.2	13.9
D40	41.9	15.7
D50	48.5	13.6
D65	64.1	15.6
HE45	44.7	16.3
HE60	60.3	17.4
HE75	76.8	21.6

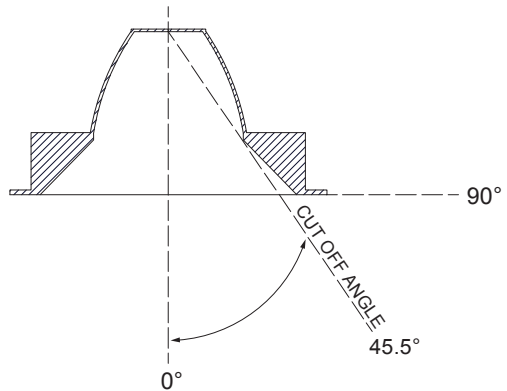
GLARE CONTROL

CUT-OFF ANGLE

Visual comfort is achieved with a lower cut-off angle due to improved glare control. The smaller the cut-off angle, the easier it is on the eye.

Alphabet downlights have been thoughtfully engineered to eliminate glare while still delivering functional illumination.

- Cutoff angle of CL is 45.5 degrees;



PROJECT INFORMATION		
JOB NAME		TYPE
ORDERING CODE		

PHOTOMETRIC DATA

20LM CCT MULTIPLIERS		
	80CRI	90CRI
2700K	0.96	0.81
3000K	1	0.85
3500K	1.03	0.88
4000K	1.06	0.91
FC Formula = CBCP / Distance ²		

HE45
45° HIGH EFFICIENCY DIFFUSED LENS

WATTS: 16.1	LPW: 86.3
LUMENS: 1389	CCT: 3000K
INTENSITY	
DEGREE	CANDELA
0	1846
5	1779
15	1331
25	789
35	407
45	185

HE60
60° HIGH EFFICIENCY DIFFUSED LENS

WATTS: 16.1	LPW: 85.7
LUMENS: 1380	CCT: 3000K
INTENSITY	
DEGREE	CANDELA
0	1277
5	1257
15	1101
25	813
35	480
45	223

HE75
76° HIGH EFFICIENCY DIFFUSED LENS

WATTS: 16.1	LPW: 78.6
LUMENS: 1265	CCT: 3000K
INTENSITY	
DEGREE	CANDELA
0	747
5	740
15	685
25	574
35	426
45	278

SS30
31° SEMI-SPECULAR

WATTS: 16.1	LPW: 93.3
LUMENS: 1502	CCT: 3000K
INTENSITY	
DEGREE	CANDELA
0	3600
5	3337
15	1836
25	914
35	379
45	27

40LM CCT MULTIPLIERS		
	80CRI	90CRI
2700K	0.96	0.81
3000K	1	0.85
3500K	1.03	0.88
4000K	1.06	0.91
FC Formula = CBCP / Distance ²		

HE45
45° HIGH EFFICIENCY DIFFUSED LENS

WATTS: 32.8	LPW: 86
LUMENS: 2821	CCT: 3000K
INTENSITY	
DEGREE	CANDELA
0	3748
5	3612
15	2703
25	1602
35	826.6
45	376

HE60
60° HIGH EFFICIENCY DIFFUSED LENS

WATTS: 32.8	LPW: 85.4
LUMENS: 2802	CCT: 3000K
INTENSITY	
DEGREE	CANDELA
0	2593
5	2553
15	2235
25	1651
35	975
45	453

HE75
76° HIGH EFFICIENCY DIFFUSED LENS

WATTS: 32.8	LPW: 78.3
LUMENS: 2570	CCT: 3000K
INTENSITY	
DEGREE	CANDELA
0	1516
5	1502
15	1390
25	1165
35	865
45	564

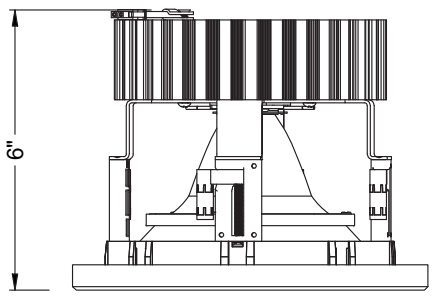
SS30
31° SEMI-SPECULAR

WATTS: 32.8	LPW: 93
LUMENS: 3050	CCT: 3000K
INTENSITY	
DEGREE	CANDELA
0	7311
5	6775
15	3729
25	1856
35	771
45	55

PROJECT INFORMATION		
JOB NAME		TYPE
ORDERING CODE		

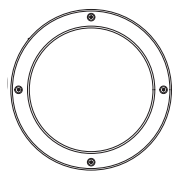
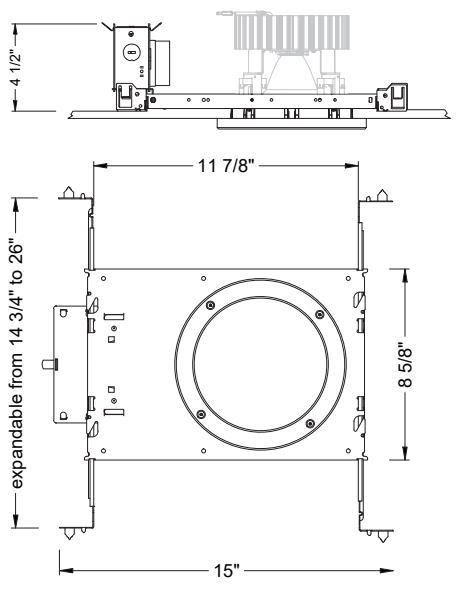
MOUNTING OPTIONS

FIXTURE HEIGHT

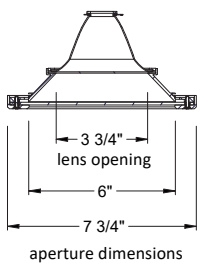


NC - NEW CONSTRUCTION

TAMPER RESISTANT



ceiling cutout
6-3/8"
ceiling thickness
1/8" to 2"



aperture dimensions

PROJECT INFORMATION		
JOB NAME		TYPE
ORDERING CODE		

BATTERY OPTIONS

EMERGENCY BATTERY

IOTA's ILB Battery Backups are UL Listed LED emergency drivers that allow the same LED fixture to be used for both normal and emergency operation. In the event of a power failure, the ILB switches to the emergency mode and operates the existing fixture for 90 minutes. The unit contains a battery, charger, and converter circuit in a single can. The Constant Power design of the ILB maintains the output wattage to the LED array even as the system voltage diminishes. UL 924 Listed for U.S. and Canada. UL 1310 Certified, Output Class 2 Compliant. Includes single-piece TBTS test switch and charge indicator accessory kit. For use with switched and unswitched fixtures, and includes Two-wire universal AC input. Meets or exceeds all National Electric Code and Life Safety Code Emergency Lighting Requirements. Rated for use in Plenum, Damp Location, Recessed Type IC, and Enclosed and Gasketed Luminaires.

REMOTE TEST SWITCH

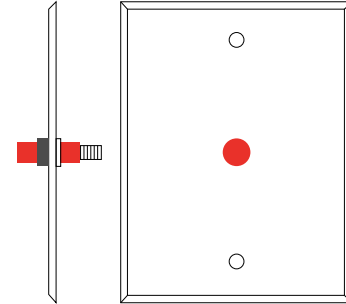
The Remote Test Switch may be mounted adjacent to the LED Fixture by others.

EMERGENCY BATTERY ACCESS

Above ceiling access is recommended for ease of service, but LED Fixture Sizes of 4" and Larger are capable of below ceiling access.

REMOTE LOCATION

Maximum remote mounting distance of the emergency driver shall be 50 feet. Remote location wiring provided by others. Follow all Local and National Electric/ Building Codes.



Remote Test Switch

EM MODE OUTPUT (DELIVERED LUMENS)			
LUMEN ORDERING CODE	EM7	EM10	EM12
ALL OPTIONS (10LM TO 40LM)	490LM	570LM	790LM
Notes: Based on 30K, 80CRI			

NC - NEW CONSTRUCTION WITH EM BATTERY (REMOTE TEST SWITCH)

