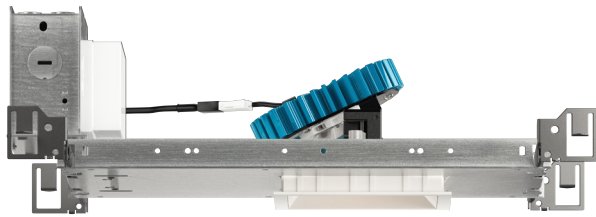


alphabet

PROJECT INFORMATION		
JOB NAME		TYPE
ORDERING CODE		

NU6

6" Square Wall Wash Tamper Resistant Standard White



WW BEAM		
(Note: Specifications are subject to change without notice)		
14mm COB PERFORMANCE DATA		
LED LIGHT ENGINE	NOMINAL DELIVERED LUMENS	SYSTEM WATTAGE
10LM	900LM @30K/80CRI	10W
15LM	1330LM @30K/80CRI	15W
20LM	1770LM @30K/80CRI	20W
25LM	2260LM @30K/80CRI	26W
30LM	2740LM @30K/80CRI	33W
35LM	3200LM @30K/80CRI	40W
10LM	770LM @30K/90CRI	10W
15LM	1140LM @30K/90CRI	15W
20LM	1500LM @30K/90CRI	20W
25LM	1920LM @30K/90CRI	26W
30LM	2330LM @30K/90CRI	33W
35LM	2720LM @30K/90CRI	40W
Notes	Delivered lumens based on WW optic (see page 2)	

FEATURES

- Designed to meet NYS-OMH rigorous requirements
- Spun aluminum frame with stainless steel tamper resistant screws
- Polycarbonate (3mm) shatter resistant lensing, vandal rated
- UGR <18
- Antimicrobial (Microban®) painted finishes

DIMMING AND CONTROLS

- eidoLED flicker free 0-10V dimming to 0% and 1%
- eidoLED flicker free DALI dimming to 0% and 1%
- DMX dim to zero
- Lutron Hi-lume Eco System dimming to 0.1% and 1%
- Lutron athena wireless node
- Leading & trailing edge (Triac/ELV) dimming to 1%
- Casambi dimming to 1.0%
- NLight control interface dimming to 0%

CONSTRUCTION

- Aluminum 6061 lensing frame
- 18-8 stainless steel tamper resistant screws
- Polycarbonate (PC) lensing
- Electrocoated 16-gauge cold rolled steel construction
- Accommodates ceiling thickness from 1/8" to 1-5/8"
- IK10 impact rated

LED

- 90 CRI: SDCM = 2-step MacAdam Ellipse, Lumen Maintenance: L₇₀ > 66,000 hrs
- 80 CRI: SDCM = 2-step MacAdam Ellipse, Lumen Maintenance: L₇₀ > 66,000 hrs

LISTING

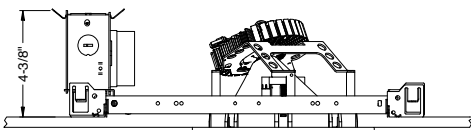
- ULus Listed to UL1598 & UL2108; cUL Listed to CSA C22.2 #250.0
- IP65 with lens - Suitable for wet locations
- Non-conductive, dead-front construction (shower approved)
- NSF/ANSI-2 with lens (Non-Food and Splash Zones)
- NYSOMH - New York State Office of Mental Health compliant
- Declare. - LBC Red List Approved
- 5 Year Limited warranty

ELECTRICAL

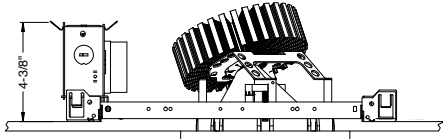
- 120V-277V, 120 only Triac / ELV
- Power factor ≥ 0.9
- 2kV driver input surge protection
- Remote emergency test switch
- 7W, 10W (T20 CEC) and 12W EM 90min battery
- Max. ambient installation temperature 95°F (35°C)

FIXTURE HEIGHT

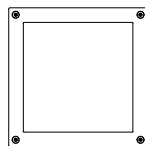
10LM - 30LM LOW LUMENS



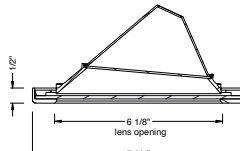
35 LM HIGH LUMENS



TAMPER RESISTANT



ceiling cutout
6-1/4" square
ceiling thickness
1/8" to 1-5/8"



alphabet

PROJECT INFORMATION		
JOB NAME		TYPE
ORDERING CODE		

WW BEAM ORDERING CODE		
SERIES	NU6	NU6
TYPE	QWTR	square wall wash tamper resistant
LED	SW	standard white
DELIVERED LUMENS	10LM	900 lm
	15LM	1330 lm
	20LM	1770 lm
	25LM	2260 lm
	30LM	2740 lm
	35LM	3200 lm
Standard Configuration: 3000K 80CRI Calculated Delivered Lumens = [Delivered Lumen Value] x [CCT Multiplier] x [Reflector Multiplier]		
CCT	27K	2700K
	30K	3000K
	35K	3500K
	40K	4000K
CRI	80	80 CRI
	90	90 CRI
OPTIC & LM MULTIPLIER SEE PAGE 3	WW	wall wash with diffused angle bending lens
TRIM COLOR	BK	black
	WH	white
	MC	matte chrome
	CC ¹	custom color, consult factory for details
Antimicrobial finish, add AM to black, white or matte chrome i.e. BKAM. Includes shatter proof lens and tamper resistant screws.		
BEZEL COLOR	BK	black (0.98)
	WH	white (1.00)
	MC	matte chrome (0.99)
	CC ¹	custom color, consult factory for details
Antimicrobial finish, add AM to black, white or matte chrome i.e. BKAM.		

WW BEAM ORDERING CODE		
MOUNTING OPTIONS SEE PAGE 5	NC	new construction with ceiling fitting plate
VOLTAGE	120	120V
	UNV	120V-277V
DIMMING	DIM10	eldoLED flicker free 0-10V dimming to 1%
	DIM10Z	eldoLED flicker free 0-10V dimming to 0%
	DALI	eldoLED flicker free DALI-2 dimming to 1%
	DALIZ	eldoLED flicker free DALI-2 dimming to 0%
	DMX-RJ45	DMX control dimming to 0.1% with RJ45 connection
	DMX-WL	DMX control dimming to 0.1% with wire lead connection
	DMX-XLR	DMX control dimming to 0.1% with XLR 5pin connection
	LUT	Lutron Hi-lume Ecosystem dimming to 1%, Soft-on & Fade-to-Black
	LUTP ²	Lutron Hi-lume Premier Ecosystem dimming to 0.1%, Soft-on & Fade-to-Black
	ELVI	leading & trailing edge (Triac/ELV) dimming to 1%
NLT	nLight control interface: standard Cat-5/RJ45 connection (female), dim to off	
CAS	Casambi control with flicker free 1% dimming	
AWN ³	lutron athena wireless node	
ELECTRICAL OPTIONS	EM7	emergency battery backup, 90 minutes at 7W to LED
	EM12	emergency battery backup, 90 minutes at 12W to LED
	EM10CA20	remote emergency battery backup, 90 minutes at 10W to LED, CA title 20

ADDITIONAL MOUNTING INFO	
New Construction Bar Hangers (included)	Mounting Length: 14-3/4" to 26"
Extension Kit p/n: K20266 (ordered separately, 1 per fixture)	Extends a pair of Bar Hangers Total Mounting Length: 29" to 48"

YOUR COMPLETED ORDERING CODE
Follow the steps to specify your fixture, example:
NU6 - QWTR - SW - 30LM - 35K - 90 - WW - WH - WH - NC - 120 - DIM10 - EM7

NOTES

1. Custom set up fee plus minimum quantity required per color.
2. LUTP not available in 25LM/30LM/35LM.
3. AWNR Reference last page for product specifications on athena wireless node

* EldoLED uses logarithmic dimming curve as standard. For linear dimming curve, add "LIN" after dimming code, i.e. DIM10LIN.

alphabet

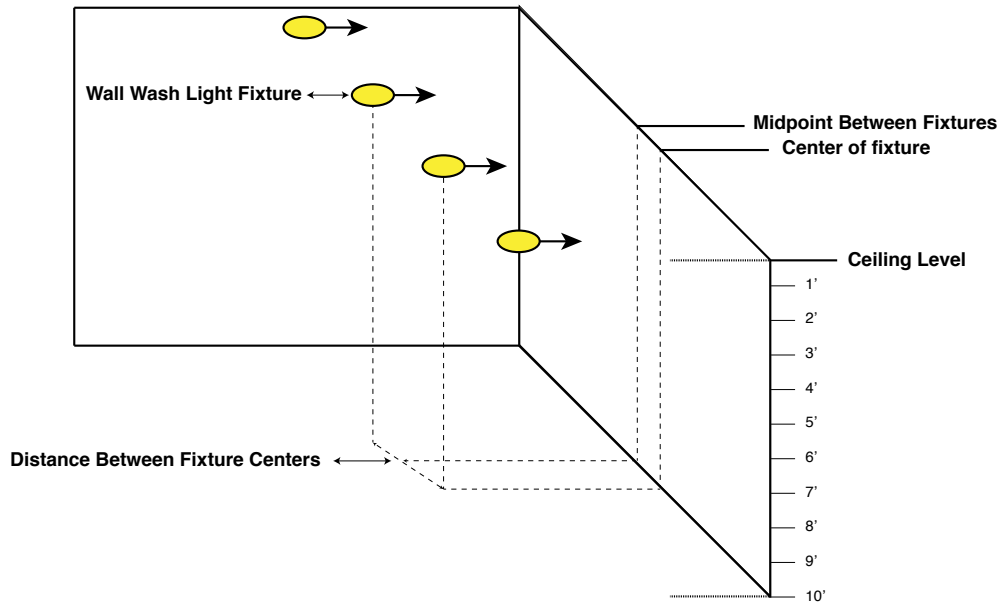
PROJECT INFORMATION			
JOB NAME		TYPE	
ORDERING CODE			

TRIM OPTIONS

TRIM COLORS



PHOTOMETRIC DATA DIAGRAM



PHOTOMETRIC DATA CHARTS

STANDARD WHITE WALL WASH 35LM 80CRI 3000K																		
MOUNTING DISTANCE	2' FROM WALL						3' FROM WALL						4' FROM WALL					
	2' ON CENTER		3' ON CENTER		4' ON CENTER		2' ON CENTER		3' ON CENTER		4' ON CENTER		3' ON CENTER		4' ON CENTER		6' ON CENTER	
FIXTURE SPACING	CENTER	MID POINT	CENTER	MID POINT	CENTER	MID POINT	CENTER	MID POINT	CENTER	MID POINT	CENTER	MID POINT	CENTER	MID POINT	CENTER	MID POINT	CENTER	MID POINT
DISTANCE FROM CEILING	CENTER	MID POINT	CENTER	MID POINT	CENTER	MID POINT	CENTER	MID POINT	CENTER	MID POINT	CENTER	MID POINT	CENTER	MID POINT	CENTER	MID POINT	CENTER	MID POINT
1'	74.6	88.5	53.6	54.7	50.3	26.1	11.5	11.8	9.4	8.3	7.9	4.1	5.2	5.4	4.2	4.2	3.2	2.6
2'	235.5	242.9	159.6	161.6	137.3	102.9	71.2	75.1	52.5	56.6	46.3	26	26	27.3	18.6	22.1	13.4	13.7
3'	180.5	183.3	124.2	128	97.6	94	104.7	108	78.4	82.6	61	45.7	61.6	64.4	47.3	49.6	31.8	32
4'	113	115.8	82.6	84.2	63.4	64.7	91.4	92.8	69.3	72.4	49.7	45.7	75.7	78.2	58.9	60.7	39.9	40.4
5'	70	72	54.2	55.3	42.4	43.3	69.1	70.4	54.1	55.4	37.5	37.3	67.7	69.9	54.3	55.3	36.7	37.8
6'	44.9	46.1	36.3	37.3	29.3	29.9	50.2	51.5	40.6	41.4	28.2	28.8	54.9	56.7	45.1	45.8	31	32
7'	29.9	30.5	25.1	25.8	20.8	21.3	36.4	37.4	30.3	31	21.5	22	42.7	44.1	36	36.7	25.5	26.1
8'	20.6	21	17.8	18.4	15.2	15.6	26.7	27.5	22.7	23.4	16.6	17	32.9	33.9	28.3	29	20.7	21
9'	14.7	15	13	13.4	11.3	11.7	20	20.5	17.3	17.9	13	13.3	25.3	26.1	22.2	22.8	16.7	17
10'	10.9	11	9.8	10	8.7	8.9	15.2	15.5	13.4	13.8	10.3	10.6	19.7	20.2	17.5	18	13.5	13.8

NOTE

1. Performance based on typical reflectance values and room dimensions. IES files available at ledrabrands.com

PROJECT INFORMATION		
JOB NAME		TYPE
ORDERING CODE		

PHOTOMETRIC DATA CHARTS

FOOT CANDLE MEASUREMENT

STANDARD WHITE WALL WASH 30LM 80CRI 3000K																		
MOUNTING DISTANCE	2' FROM WALL						3' FROM WALL						4' FROM WALL					
FIXTURE SPACING	2' ON CENTER		3' ON CENTER		4' ON CENTER		2' ON CENTER		3' ON CENTER		4' ON CENTER		3' ON CENTER		4' ON CENTER		6' ON CENTER	
DISTANCE FROM CEILING	CENTER	MID POINT	CENTER	MID POINT	CENTER	MID POINT	CENTER	MID POINT	CENTER	MID POINT	CENTER	MID POINT	CENTER	MID POINT	CENTER	MID POINT	CENTER	MID POINT
1'	63.9	75.8	46	46.9	43.1	22.3	9.8	10.1	8	7.1	6.8	3.5	4.5	4.7	3.6	3.6	2.7	2.2
2'	201.9	208.2	136.8	138.6	117.7	88.2	61	64.4	45	48.5	39.7	22.3	22.3	23.4	16	19	11.5	11.7
3'	154.7	157.2	106.5	109.7	83.6	80.6	89.7	92.5	67.2	70.8	52.3	39.2	52.8	55.2	40.5	42.5	27.3	27.4
4'	96.9	99.3	70.8	72.2	54.3	55.5	78.3	79.6	59.4	62	42.6	39.2	64.9	67	50.5	52.1	34.2	34.6
5'	60	61.7	46.4	47.4	36.4	37.1	59.3	60.4	46.4	47.5	32.2	32	58	59.9	46.5	47.4	31.4	32.4
6'	38.5	39.5	31.1	32	25.1	25.7	43.1	44.1	34.8	35.5	24.1	24.7	47	48.6	38.7	39.3	26.6	27.4
7'	25.6	26.2	21.5	22.1	17.8	18.3	31.2	32.1	25.9	26.5	18.4	18.8	36.6	37.8	30.8	31.4	21.8	22.3
8'	17.7	18	15.3	15.8	13	13.4	22.9	23.6	19.5	20	14.3	14.5	28.2	29.1	24.2	24.8	17.7	18
9'	12.6	12.8	11.2	11.5	9.7	10	17.1	17.6	14.9	15.3	11.2	11.4	21.7	22.3	19	19.5	14.3	14.6
10'	9.3	9.4	8.4	8.6	7.4	7.7	13	13.3	11.5	11.8	8.9	9.1	16.9	17.3	15	15.4	11.6	11.8

STANDARD WHITE WALL WASH 20LM 80CRI 3000K																		
MOUNTING DISTANCE	2' FROM WALL						3' FROM WALL						4' FROM WALL					
FIXTURE SPACING	2' ON CENTER		3' ON CENTER		4' ON CENTER		2' ON CENTER		3' ON CENTER		4' ON CENTER		3' ON CENTER		4' ON CENTER		6' ON CENTER	
DISTANCE FROM CEILING	CENTER	MID POINT	CENTER	MID POINT	CENTER	MID POINT	CENTER	MID POINT	CENTER	MID POINT	CENTER	MID POINT	CENTER	MID POINT	CENTER	MID POINT	CENTER	MID POINT
1'	41.1	48.8	29.6	30.2	27.7	14.4	6.3	6.5	5.2	4.6	4.4	2.2	2.9	3	2.3	2.3	1.7	1.4
2'	129.9	134	88	89.2	75.8	56.8	39.3	41.4	29	31.2	25.5	14.3	14.3	15.1	10.3	12.2	7.4	7.5
3'	99.6	101.1	68.5	70.6	53.8	51.8	57.7	59.5	43.3	45.6	33.7	25.2	34	35.5	26.1	27.4	17.6	17.6
4'	62.3	63.9	45.6	46.4	35	35.7	50.4	51.2	38.2	39.9	27.4	25.2	41.8	43.1	32.5	33.5	22	22.3
5'	38.6	39.7	29.9	30.5	23.4	23.9	38.1	38.8	29.8	30.6	20.7	20.6	37.3	38.5	29.9	30.5	20.2	20.8
6'	24.8	25.4	20	20.6	16.2	16.5	27.7	28.4	22.4	22.8	15.5	15.9	30.3	31.3	24.9	25.3	17.1	17.7
7'	16.5	16.8	13.8	14.2	11.5	11.8	20.1	20.6	16.7	17.1	11.8	12.1	23.5	24.3	19.8	20.2	14	14.4
8'	11.4	11.6	9.8	10.1	8.4	8.6	14.7	15.2	12.5	12.9	9.2	9.4	18.1	18.7	15.6	16	11.4	11.6
9'	8.1	8.2	7.2	7.4	6.3	6.4	11	11.3	9.6	9.9	7.2	7.3	14	14.4	12.2	12.6	9.2	9.4
10'	6	6.1	5.4	5.5	4.8	4.9	8.4	8.6	7.4	7.6	5.7	5.8	10.9	11.1	9.7	9.9	7.5	7.6

STANDARD WHITE WALL WASH 10LM 80CRI 3000K																		
MOUNTING DISTANCE	2' FROM WALL						3' FROM WALL						4' FROM WALL					
FIXTURE SPACING	2' ON CENTER		3' ON CENTER		4' ON CENTER		2' ON CENTER		3' ON CENTER		4' ON CENTER		3' ON CENTER		4' ON CENTER		6' ON CENTER	
DISTANCE FROM CEILING	CENTER	MID POINT	CENTER	MID POINT	CENTER	MID POINT	CENTER	MID POINT	CENTER	MID POINT	CENTER	MID POINT	CENTER	MID POINT	CENTER	MID POINT	CENTER	MID POINT
1'	21	24.9	15.1	15.4	14.1	7.3	3.2	3.3	2.6	2.3	2.2	1.1	1.5	1.5	1.2	1.2	0.9	0.7
2'	66.3	68.3	44.9	45.5	38.6	29	20	21.1	14.8	15.9	13	7.3	7.3	7.7	5.2	6.2	3.8	3.9
3'	50.8	51.6	34.9	36	27.5	26.4	29.5	30.4	22.1	23.2	17.2	12.9	17.3	18.1	13.3	14	9	9
4'	31.8	32.6	23.3	23.7	17.8	18.2	25.7	26.1	19.5	20.4	14	12.9	21.3	22	16.6	17.1	11.2	11.4
5'	19.7	20.3	15.2	15.5	11.9	12.2	19.5	19.8	15.2	15.6	10.6	10.5	19.1	19.7	15.3	15.6	10.3	10.6
6'	12.6	13	10.2	10.5	8.3	8.4	14.1	14.5	11.4	11.7	7.9	8.1	15.4	16	12.7	12.9	8.7	9
7'	8.4	8.6	7.1	7.3	5.9	6	10.2	10.5	8.5	8.7	6	6.2	12	12.4	10.1	10.3	7.2	7.3
8'	5.8	5.9	5	5.2	4.3	4.4	7.5	7.7	6.4	6.6	4.7	4.8	9.3	9.5	7.9	8.1	5.8	5.9
9'	4.1	4.2	3.7	3.8	3.2	3.3	5.6	5.8	4.9	5	3.7	3.7	7.1	7.3	6.2	6.4	4.7	4.8
10'	3.1	3.1	2.8	2.8	2.4	2.5	4.3	4.4	3.8	3.9	2.9	3	5.5	5.7	4.9	5.1	3.8	3.9

NOTE

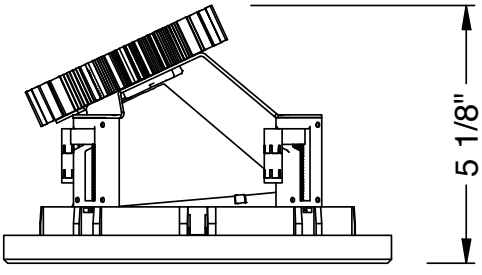
1. Performance based on typical reflectance values and room dimensions. IES files available at ledrabrands.com

PROJECT INFORMATION		
JOB NAME		TYPE
ORDERING CODE		

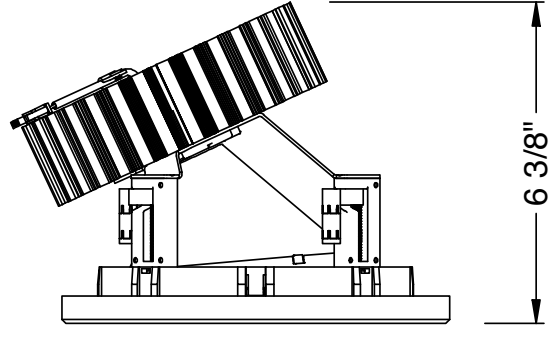
MOUNTING OPTIONS

FIXTURE HEIGHT

10LM - 30LM CONFIGURATION

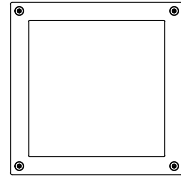
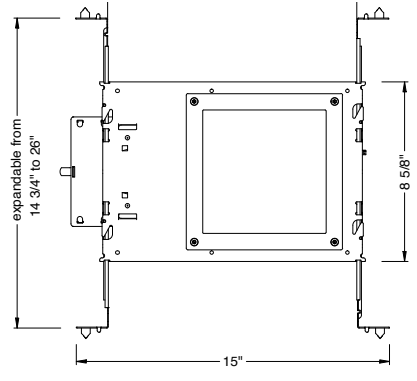
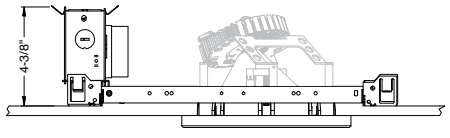


35LM CONFIGURATION

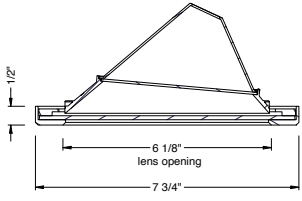


NC - NEW CONSTRUCTION

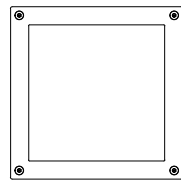
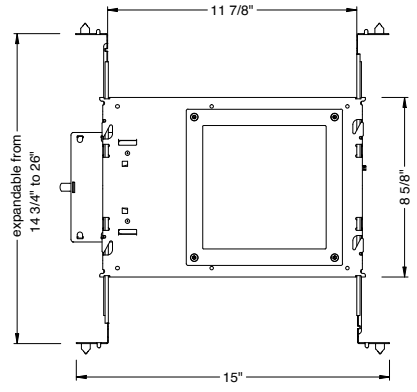
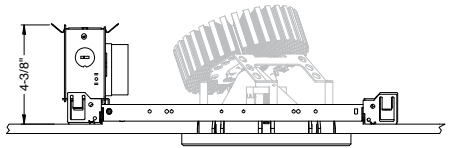
LED LIGHT ENGINE 10LM - 30LM



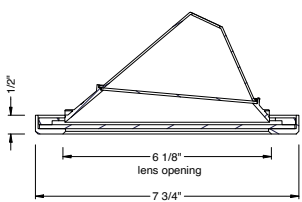
ceiling cutout
6-1/4" square
ceiling thickness
1/8" to 1-5/8"



LED LIGHT ENGINE 35LM



ceiling cutout
6-1/4" square
ceiling thickness
1/8" to 1-5/8"



PROJECT INFORMATION			
JOB NAME		TYPE	
ORDERING CODE			

BATTERY OPTIONS

EMERGENCY BATTERY

IOTA's ILB Battery Backups are UL Listed LED emergency drivers that allow the same LED fixture to be used for both normal and emergency operation. In the event of a power failure, the ILB switches to the emergency mode and operates the existing fixture for 90 minutes. The unit contains a battery, charger, and converter circuit in a single can. The Constant Power design of the ILB maintains the output wattage to the LED array even as the system voltage diminishes. UL 924 Listed for U.S. and Canada. UL 1310 Certified, Output Class 2 Compliant. Includes single-piece TBTS test switch and charge indicator accessory kit. For use with switched and unswitched electric fixtures, and includes Two-wire universal AC input. Meets or exceeds all National Electric Code and Life Safety Code Emergency Lighting Requirements. Rated for use in Plenum, Damp Location, Recessed Type IC, and Enclosed and Gasketed Luminares.

REMOTE TEST SWITCH

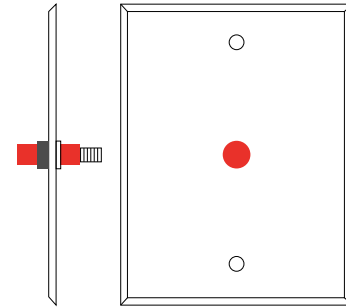
The Remote Test Switch may be mounted adjacent to the LED Fixture by others.

EMERGENCY BATTERY ACCESS

Above ceiling access is required for service. An access panel in the ceiling (or other form of access) adjacent to the installation location of the Emergency Battery is required.

REMOTE LOCATION

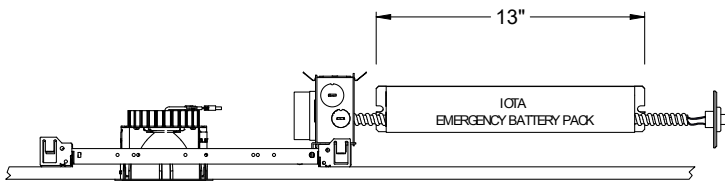
Maximum remote mounting distance of the emergency driver shall be 50 feet. Remote location wiring provided by others. Follow all Local and National Electric/Building Codes.



Remote Test Switch

EM MODE OUTPUT (DELIVERED LUMENS)			
LUMEN ORDERING CODE	EM7	EM10	EM12
ALL OPTIONS (10LM TO 35LM)	650LM	910LM	1100LM
Notes: Based on 30K, 80CRI			

NC - NEW CONSTRUCTION WITH EM BATTERY (REMOTE TEST SWITCH)

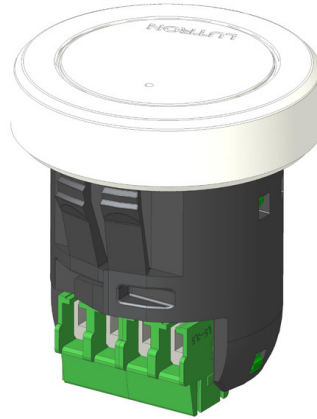


PROJECT INFORMATION		
JOB NAME	TYPE	
ORDERING CODE		

AWNDR OPTIONS

Athena Wireless Node

The Athena wireless node is a radio frequency (RF) device that enables simple, digital control of individual light fixtures in an Athena control system.



Athena Wireless Node RF



AWNDR

Plenum rated and can be installed above the ceiling for wireless control of a fixture without any impact on fixture aesthetics.

FEATURES

- Enables individual, wireless control of each fixture in an Athena control system. Accommodates zone and control changes without rewiring.
- Installed at factory – no wiring required on-site. Fixture is ready to communicate wirelessly once power is connected.
- All drivers on the link are controlled as a single zone.

REGULATORY APPROVALS

- cULus Listed (UL916)
- Complies with requirements for use in other spaces used for environmental air (plenums) per NEC® 2014 300.22(C)(3).
- FCC compliant with the limits for a Class B digital device.
- IC (Industry Canada)
- ANSI C137.1 0–10 V- Electronic Off

POWER / LOAD

- IEC SELV/NEC® Class 2
- 1 Watt

ENVIRONMENTAL

- Ambient operating temperature (immediate vicinity of Athena wireless node): **32 °F to 131 °F** (0 °C to 55 °C), 0% to 90% humidity.

BATTERY OPTIONS

- For EM options please consult factory.

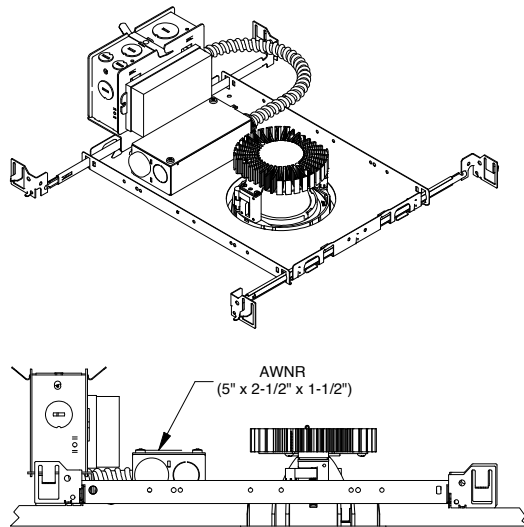
Note: Default behavior prior to programming

- Light level 100%
- Athena wireless node performs an unprogrammed startup sequence on every power up until the device is added to an Athena system.
- Each Athena wireless node should be installed within 25 ft (7.62 m) of two or more Athena wireless nodes or other Clear Connect – Type X devices.
- For Chicago plenum installations, the Athena wireless node may not be installed in the plenum space. It must be installed in the occupied space.

For servicing the driver/j-box, access above ceiling is required. (NC Mounting)

IC/ICAT/CP not available in AAWNDR.

NC - NEW CONSTRUCTION



RET - RETRO FIT

