

PROJECT INFORMATION		
JOB NAME		TYPE
ORDERING CODE		

## NU6

### 6" Square Adjustable Tamper Resistant Standard White

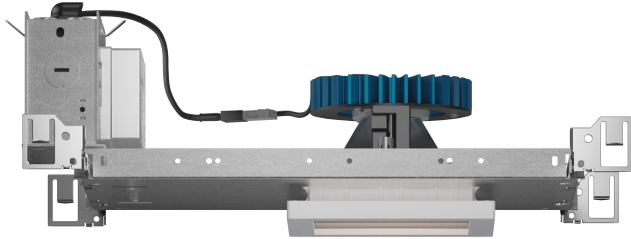


AT  
airtight

DF  
dead-front

PR  
plenum rated

wet rated



#### 20° - 65° BEAM

(Note: Specifications are subject to change without notice)

#### 14mm COB PERFORMANCE DATA

LED LIGHT ENGINE	NOMINAL DELIVERED LUMENS	SYSTEM WATTAGE
10LM	880LM @30K/80CRI	9W
15LM	1330LM @30K/80CRI	12W
20LM	1860LM @30K/80CRI	17W
25LM	2260LM @30K/80CRI	21W
30LM	2750LM @30K/80CRI	26W
35LM	3200LM @30K/80CRI	31W
40LM	3720LM @30K/80CRI	37W
10LM	750LM @30K/90CRI	9W
15LM	1130LM @30K/90CRI	12W
20LM	1580LM @30K/90CRI	17W
25LM	1920LM @30K/90CRI	21W
30LM	2340LM @30K/90CRI	26W
35LM	2720LM @30K/90CRI	31W
40LM	3160LM @30K/90CRI	37W

#### FEATURES

- Designed to meet NYS-OMH rigorous requirements
- Spun aluminum frame with stainless steel tamper resistant screws
- Polycarbonate (3mm) shatter resistant lensing, vandal rated
- 20° to 65° optical beam control
- UGR <9
- Antimicrobial (Microban®) painted finishes

#### LED

- 90 CRI: SDCM = 2-step MacAdam Ellipse, Lumen Maintenance: L<sub>70</sub> > 66,000 hrs
- 80 CRI: SDCM = 2-step MacAdam Ellipse, Lumen Maintenance: L<sub>70</sub> > 66,000 hrs

#### DIMMING AND CONTROLS

- eldoLED flicker free 0-10V dimming to 0% and 1%
- eldoLED flicker free DALI dimming to 0% and 1%
- DMX dim to zero
- Lutron Hi-lume Eco System dimming to 0.1% and 1%
- Lutron athena wireless node
- Leading & trailing edge (Triac/ELV) dimming to 1%
- Casambi dimming to 1.0%
- NLight control interface dimming to 0%

#### LISTING

- ULus Listed to UL1598 & UL2108; cUL Listed to CSA C22.2 #250.0
- IP65 with lens - Suitable for wet locations
- Non-conductive, dead-front construction (shower approved)
- NSF/ANSI-2 with lens (Non-Food and Splash Zones)
- NYSOMH - New York State Office of Mental Health compliant
- **Declare.** - LBC Red List Approved
- 5 Year Limited warranty

#### CONSTRUCTION

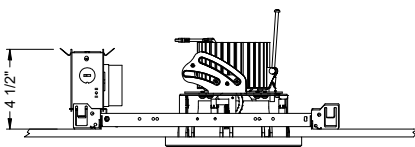
- Aluminum 6061 lensing frame
- 18-8 stainless steel tamper resistant screws
- Polycarbonate (PC) lensing
- Electrocoated 16-gauge cold rolled steel construction
- Accommodates ceiling thickness from 1/8" to 1-5/8"
- IK10 impact rated

#### ELECTRICAL

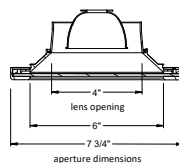
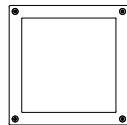
- 120V-277V, 120 only Triac / ELV
- Power factor ≥ 0.9
- 2kV driver input surge protection
- Remote emergency test switch
- 7W, 10W (T20 CEC) and 12W EM 90min battery
- Max. ambient installation temperature 95°F (35°C)

#### FIXTURE HEIGHT

LED LIGHT ENGINE: 10LM - 40LM



#### TAMPER RESISTANT



# alphabet

PROJECT INFORMATION		
JOB NAME		TYPE
ORDERING CODE		

ORDERING CODE																					
<b>SERIES</b>	NU6	NU6																			
<b>TYPE</b>	QATR	square adjustable tamper resistant																			
<b>LED</b>	SW	standard white																			
<b>DELIVERED LUMENS</b>	10LM	880 lm																			
	15LM	1330 lm																			
	20LM	1860 lm																			
	25LM	2260 lm																			
	30LM	2750 lm																			
	35LM	3200 lm																			
	40LM	3720 lm																			
Standard Configuration: 3000K 80CRI 25D Calculated Delivered Lumens = [Delivered Lumen Value] x [CCT Multiplier] x [Reflector Multiplier]																					
<b>CCT</b>	27K	2700K																			
	30K	3000K																			
	35K	3500K																			
	40K	4000K																			
	<table border="1"> <thead> <tr> <th>CCT</th> <th>2700K</th> <th>3000K</th> <th>3500K</th> <th>4000K</th> </tr> </thead> <tbody> <tr> <td>CRI</td> <td>80+</td> <td>90+</td> <td>80+</td> <td>90+</td> </tr> <tr> <td>CCT MULTIPLIER FOR LUMEN OUTPUT</td> <td>0.96</td> <td>0.81</td> <td>1</td> <td>0.85</td> </tr> <tr> <td></td> <td>1.03</td> <td>0.88</td> <td>1.06</td> <td>0.91</td> </tr> </tbody> </table>		CCT	2700K	3000K	3500K	4000K	CRI	80+	90+	80+	90+	CCT MULTIPLIER FOR LUMEN OUTPUT	0.96	0.81	1	0.85		1.03	0.88	1.06
CCT	2700K	3000K	3500K	4000K																	
CRI	80+	90+	80+	90+																	
CCT MULTIPLIER FOR LUMEN OUTPUT	0.96	0.81	1	0.85																	
	1.03	0.88	1.06	0.91																	
<b>CRI</b>	80	80 CRI																			
	90	90 CRI																			
<b>OPTIC &amp; LM MULTIPLIER</b>	20D	20 degrees (0.99)																			
	25D	25 degrees (1.00)																			
	35D	35 degrees (0.99)																			
	50D	50 degrees (0.99)																			
	65D	65 degrees (0.99)																			
<b>BEZEL LENS</b> SEE PAGE 3	NL	no lens (1.00)																			
	CL	clear lens (0.92)																			
	DL	diffused lens (0.91)																			
	E	elliptical lens, 30° X 60° (0.91)																			
	HET	high efficiency textured lens, similar to Solite™ (0.92)																			
	SBL	smoothing beam lens (0.92)																			
<b>TRIM COLOR</b> SEE PAGE 3	WH	white																			
	BK	black																			
	MC	matte chrome																			
	CC <sup>1</sup>	custom color, consult factory for details																			
	Antimicrobial finish, add AM to black, white or matte chrome i.e. BKAM. Includes shatter proof lens and tamper resistant screws.																				
<b>BEZEL COLOR</b> SEE PAGE 3	BK	black (0.98)																			
	WH	white (1.00)																			
	MC	matte chrome (0.99)																			
	CC <sup>1</sup>	custom color, consult factory for details																			
Antimicrobial finish, add AM to black, white or matte chrome i.e. BKAM.																					

ORDERING CODE		
<b>MOUNTING OPTIONS</b> SEE PAGE 6	NC	new construction with ceiling fitting plate
<b>VOLTAGE</b>	120	120V
	UNV	120V-277V
<b>DIMMING</b>	DIM10	eldoLED flicker free 0-10V dimming to 1%
	DIM10Z	eldoLED flicker free 0-10V dimming to 0%
	DALI	eldoLED flicker free DALI-2 dimming to 1%
	DALIZ	eldoLED flicker free DALI-2 dimming to 0%
	DMX-RJ45	DMX control dimming to 0.1% with RJ45 connection
	DMX-WL	DMX control dimming to 0.1% with wire lead connection
	DMX-XLR	DMX control dimming to 0.1% with XLR 5pin connection
	LUT	Lutron Hi-lume Ecosystem dimming to 1%, Soft-on & Fade-to-Black
	LUTP <sup>2</sup>	Lutron Hi-lume Premier Ecosystem dimming to 0.1%, Soft-on & Fade-to-Black
	ELV1	leading & trailing edge (Triac/ELV) dimming to 1%
NLT	nLight control interface: standard Cat-5/RJ45 connection (female), dim to off	
CAS	Casambi control with flicker free 1% dimming	
<b>ELECTRICAL OPTIONS</b>	EM7	emergency battery backup, 90 minutes at 7W to LED
	EM12	emergency battery backup, 90 minutes at 12W to LED
	EM10CA20	remote emergency battery backup, 90 minutes at 10W to LED, CA title 20

ADDITIONAL MOUNTING INFO	
New Construction Bar Hangers (included)	Mounting Length: 14-3/4" to 26"
Extension Kit p/n: K20266 (ordered separately, 1 per fixture)	Extends a pair of Bar Hangers Total Mounting Length: 29" to 48"

YOUR COMPLETED ORDERING CODE
Follow the steps to specify your fixture, example:
<b>NU6 - QATR - SW - 30LM - 35K - 90 - 25D - CL - WH - WH - NC - 120 - DIM10 - EM7</b>

- NOTES**
1. Custom set up fee plus minimum quantity required per color.
  2. LUTP not available in 25LM/30LM/35LM/40LM.
- \* EldoLED uses logarithmic dimming curve as standard. For linear dimming curve, add "LIN" after dimming code, i.e. DIM10LIN.

# alphabet

PROJECT INFORMATION		
JOB NAME	TYPE	
ORDERING CODE		

## TRIM OPTIONS

### TRIM/BEZEL COLORS



## OPTICAL OPTIONS

- UGR calculation based on CIE 117-1995; room size: 4H X 8H, reflectance: 70/50/20;
- UGR calculation based on 15LM fixtures, unless otherwise noted.



**CL**  
Clear Lens

OPTIC	BEAM ANGLE	UGR
20D	18	9.2
25D	22.8	8.7
35D	36.2	10
50D	49.2	13.5
65D	64.6	14.3



**NL**  
No Lens

OPTIC	BEAM ANGLE	UGR
20D	18	9.4
25D	22.8	9
35D	36.2	10.3
50D	49.2	13.7
65D	64.5	14.6



**HET**  
High Efficiency Textured Lens

OPTIC	BEAM ANGLE	UGR
20D	22.5	9.7
25D	27	9.9
35D	38.8	11.6
50D	49.8	12.4
65D	60.4	15.3



**DL**  
Diffused Lens

OPTIC	BEAM ANGLE	UGR
20D	39.4	15.4
25D	42.4	15.7
35D	50.6	16.7
50D	56.7	17.2
65D	66.7	19.2



**E**  
Elliptical Lens

OPTIC	BEAM ANGLE	UGR
20D	37.2x63	15x19
25D	40x67	15x20
35D	48.6x74.6	16x20
50D	54.2x79.7	16x21
65D	63x88.8	19x22



**SBL**  
Smoothing Beam Lens

OPTIC	BEAM ANGLE	UGR
20D	19.3	8.9
25D	24.3	9
35D	37.2	10.6
50D	51.2	11.4
65D	62.2	14.6

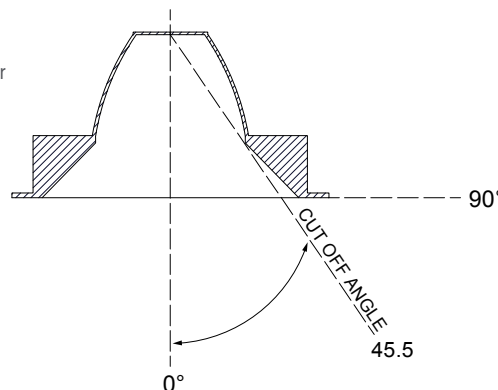
## GLARE CONTROL

### CUT-OFF ANGLE

Visual comfort is achieved with a lower cut-off angle due to improved glare control. The smaller the cut-off angle, the easier it is on the eye.

Alphabet downlights have been thoughtfully engineered to eliminate glare while still delivering functional illumination.

- Cutoff angle of NL and CL is 45.5 degrees;



# alphabet

PROJECT INFORMATION		
JOB NAME		TYPE
ORDERING CODE		

## PHOTOMETRIC DATA

20LM		
	80CRI	90CRI
2700K	0.96	0.81
3000K	1	0.85
3500K	1.03	0.88
4000K	1.06	0.91
FC Formula = CBCP / Distance <sup>2</sup>		

20D 18° NO LENS	
Throw Distance (ft)	Beam Diameter (ft)
6	1.9
8	2.5
10	3.2
12	3.8
14	4.4
Illuminance at Center (fc)	
287	
162	
103	
72	
53	
WATTS: 17.2	LPW: 108
LUMENS: 1858	CCT: 3000K
INTENSITY	
DEGREE	CANDELA
0	10343
5	9360
15	1931
25	767
35	356
45	2

25D 23° NO LENS	
Throw Distance (ft)	Beam Diameter (ft)
6	2.4
8	3.2
10	4
12	4.8
14	5.6
Illuminance at Center (fc)	
217	
122	
78	
54	
40	
WATTS: 17.2	LPW: 108.6
LUMENS: 1869	CCT: 3000K
INTENSITY	
DEGREE	CANDELA
0	7813
5	6754
15	2455
25	837
35	331
45	2

35D 36° NO LENS	
Throw Distance (ft)	Beam Diameter (ft)
6	3.9
8	5.2
10	6.5
12	7.8
14	9.1
Illuminance at Center (fc)	
114	
64	
41	
28	
21	
WATTS: 17.2	LPW: 107.3
LUMENS: 1846	CCT: 3000K
INTENSITY	
DEGREE	CANDELA
0	4088
5	3811
15	2532
25	1172
35	387
45	8

40LM		
	80CRI	90CRI
2700K	0.96	0.81
3000K	1	0.85
3500K	1.03	0.88
4000K	1.06	0.91
FC Formula = CBCP / Distance <sup>2</sup>		

20D 18° NO LENS	
Throw Distance (ft)	Beam Diameter (ft)
6	1.9
8	2.5
10	3.2
12	3.8
14	4.4
Illuminance at Center (fc)	
573	
322	
206	
143	
105	
WATTS: 37.3	LPW: 99.4
LUMENS: 3707	CCT: 3000K
INTENSITY	
DEGREE	CANDELA
0	20637
5	18675
15	3853
25	1530
35	711
45	4

25D 23° NO LENS	
Throw Distance (ft)	Beam Diameter (ft)
6	2.4
8	3.2
10	4
12	4.8
14	5.6
Illuminance at Center (fc)	
433	
244	
156	
108	
80	
WATTS: 37.3	LPW: 99.9
LUMENS: 3728	CCT: 3000K
INTENSITY	
DEGREE	CANDELA
0	15589
5	13476
15	4899
25	1670
35	661
45	3

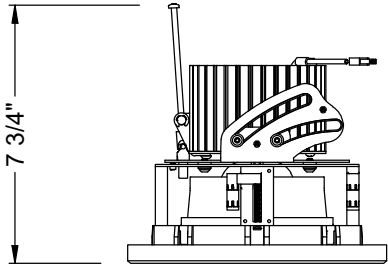
35D 36° NO LENS	
Throw Distance (ft)	Beam Diameter (ft)
6	3.9
8	5.2
10	6.5
12	7.8
14	9.1
Illuminance at Center (fc)	
227	
127	
82	
57	
42	
WATTS: 37.3	LPW: 98.7
LUMENS: 3683	CCT: 3000K
INTENSITY	
DEGREE	CANDELA
0	8157
5	7605
15	5051
25	2338
35	773
45	17

PROJECT INFORMATION		
JOB NAME		TYPE
ORDERING CODE		

## MOUNTING OPTIONS

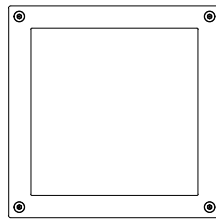
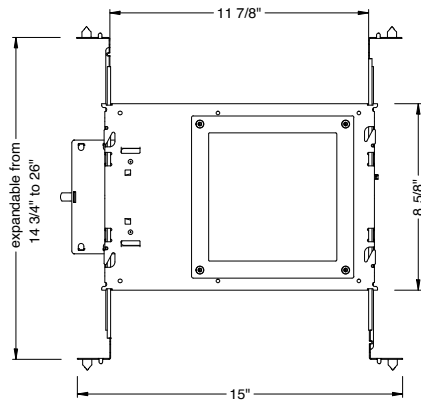
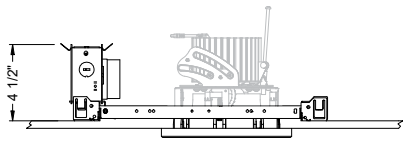
### FIXTURE HEIGHT

10LM-40LM CONFIGURATIONS

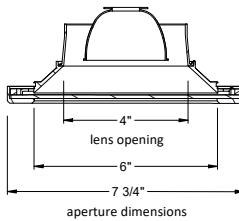


### NC - NEW CONSTRUCTION

LED LIGHT ENGINE 10LM-40LM



ceiling cutout  
6-1/4" square  
ceiling thickness  
1/8" to 1-5/8"



PROJECT INFORMATION		
JOB NAME		TYPE
ORDERING CODE		

## BATTERY OPTIONS

### EMERGENCY BATTERY

IOTA's ILB Battery Backups are UL Listed LED emergency drivers that allow the same LED fixture to be used for both normal and emergency operation. In the event of a power failure, the ILB switches to the emergency mode and operates the existing fixture for 90 minutes. The unit contains a battery, charger, and converter circuit in a single can. The Constant Power design of the ILB maintains the output wattage to the LED array even as the system voltage diminishes. UL 924 Listed for U.S. and Canada. UL 1310 Certified, Output Class 2 Compliant. Includes single-piece TBTS test switch and charge indicator accessory kit. For use with switched and unswitched fixtures, and includes Two-wire universal AC input. Meets or exceeds all National Electric Code and Life Safety Code Emergency Lighting Requirements. Rated for use in Plenum, Damp Location, Recessed Type IC, and Enclosed and Gasketed Luminaires.

### REMOTE TEST SWITCH

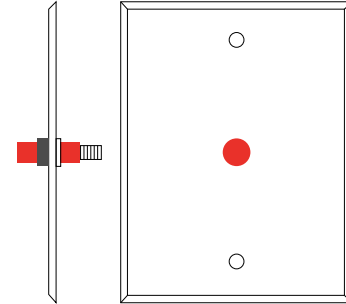
The Remote Test Switch may be mounted adjacent to the LED Fixture by others.

### EMERGENCY BATTERY ACCESS

Above ceiling access is recommended for ease of service, but LED Fixture Sizes of 4" and Larger are capable of below ceiling access. IC/ICAT/CP Box and ITS option require an access panel in the ceiling (or other form of access) adjacent to the installation location of the Emergency Battery.

### REMOTE LOCATION

Maximum remote mounting distance of the emergency driver shall be 50 feet. Remote location wiring provided by others. Follow all Local and National Electric/Building Codes.



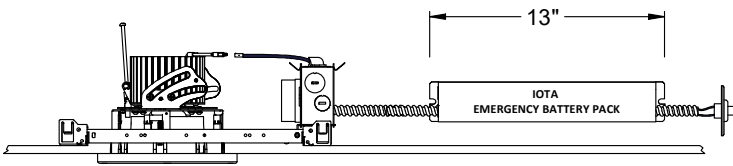
Remote Test Switch

### EM MODE OUTPUT (DELIVERED LUMENS)

LUMEN ORDERING CODE	EM7	EM10	EM12
ALL OPTIONS (10 LM TO 40 LM)	680lm	970lm	1330lm

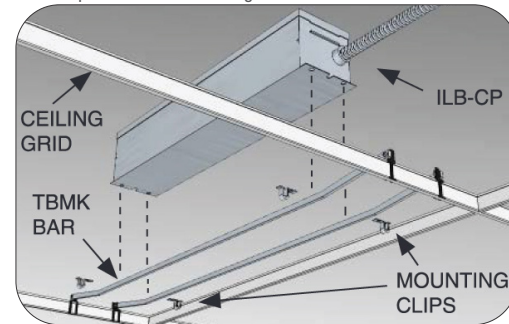
Notes Based on 30K 80 CRI

## NC - NEW CONSTRUCTION WITH EM BATTERY (REMOTE TEST SWITCH)



### Accessory

#### 76066 Optional T-Grid Mounting Kit<sup>1</sup>



1. Can be used with any of the Emergency Battery Backups. Must be ordered as a separate line item.