

PROJECT INFORMATION		
JOB NAME		TYPE
ORDERING CODE		

## NU4

### 4" Round Wall Wash Tamper Resistant Standard White



WW BEAM (Note: Specifications are subject to change without notice)		
14mm COB PERFORMANCE DATA		
LED LIGHT ENGINE	NOMINAL DELIVERED LUMENS	SYSTEM WATTAGE
10LM	670LM @30K/80CRI	8W
15LM	1000LM @30K/80CRI	12W
20LM	1310LM @30K/80CRI	16W
25LM	1600LM @30K/80CRI	20W
30LM	2025LM @30K/80CRI	26W
35LM	2250LM @30K/80CRI	27W
40LM	2550LM @30K/80CRI	32W
10LM	560LM @30K/90/CRI	8W
15LM	830LM @30K/90/CRI	12W
20LM	1100LM @30K/90/CRI	16W
25LM	1370LM @30K/90/CRI	20W
30LM	1700LM @30K/90/CRI	26W
35LM	1900LM @30K/90/CRI	27W
40LM	2180M @30K/90/CRI	32W
Notes	Delivered lumens based on WW optic with no lens, (see page 2)	



#### FEATURES

- Designed to meet NYS-OMH rigorous requirements
- Spun aluminum frame with stainless steel tamper resistant screws
- Polycarbonate (3mm) shatter proof lensing
- UGR <18
- Microban® antimicrobial finish available on all exposed painted surfaces

#### DIMMING AND CONTROLS

- eldoLED flicker free 0-10V dimming to 0% and 1%
- eldoLED flicker free DALI dimming to 0% and 1%
- DMX dim to zero
- Lutron Hi-lumen 2-Wire (Eco System) dimming to 0.1% and 1%
- Leading & trailing edge (Triac/ELV) dimming to 1%
- Casambi bluetooth dimming to 1.0%
- nLight control interface dimming to 0%

#### CONSTRUCTION

- Aluminum 6061 lensing frame
- 18-8 stainless steel tamper resistant screws
- Shatter resistant Polycarbonate (PC) lensing
- Electrocoated 16-gauge cold rolled steel construction
- Accommodates ceiling thickness from 1/8" to 1-5/8"

#### LED

- 90 CRI: SDCM = 2-step MacAdam Ellipse, Lumen Maintenance: L<sub>70</sub> > 66,000 hrs
- 80 CRI: SDCM = 2-step MacAdam Ellipse, Lumen Maintenance: L<sub>70</sub> > 66,000 hrs

#### LISTING

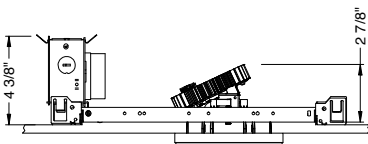
- ULus Listed to UL1598 & UL2108; cUL Listed to CSA C22.2 #250.0
- IP65 with lens - Suitable for wet locations
- Non-conductive, dead-front construction (shower approved)
- NSF/ANSI-2 with lens (Non-Food and Splash Zones)
- NYSOMH - New York State Office of Mental Health compliant
- 5 Year Limited warranty

#### ELECTRICAL

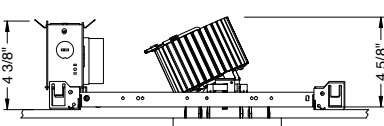
- 120V-277V, 120 only Triac / ELV
- Power factory ≥ 0.9
- 2kV driver input surge protection
- Remote emergency test switch
- 7W, 10W (T20 CEC) and 12W EM 90min battery
- Max. ambient installation temperature 95°F (35°C)

#### FIXTURE HEIGHT

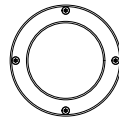
##### 10LM - 30LM LOW LUMENS



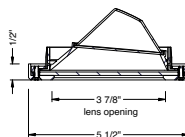
##### 40LM HIGH LUMENS



#### TAMPER RESISTANT



ceiling cutout  
4-3/8 diameter  
ceiling thickness  
1/8" to 1-5/8"



# alphabet

PROJECT INFORMATION		
JOB NAME		TYPE
ORDERING CODE		

WW BEAM ORDERING CODE																												
<b>SERIES</b>	<b>NU4</b>	NU4																										
<b>TYPE</b>	<b>RWTR</b>	round wall wash tamper resistant																										
<b>LED</b>	<b>SW</b>	standard white																										
<b>DELIVERED LUMENS</b>	<b>10LM</b>	670 lm																										
	<b>15LM</b>	1000 lm																										
	<b>20LM</b>	1310 lm																										
	<b>25LM</b>	1600 lm																										
	<b>30LM</b>	2025 lm																										
	<b>35LM</b>	2250 lm																										
	<b>40LM</b>	2550 lm																										
Standard Configuration: 3000K 80CRI WW Calculated Delivered Lumens = [Delivered Lumen Value] x [CCT Multiplier] x [Reflector Multiplier]																												
<b>CCT</b>	<b>27K</b>	2700K																										
	<b>30K</b>	3000K																										
	<b>35K</b>	3500K																										
	<b>40K</b>	4000K																										
		<table border="1"> <thead> <tr> <th>CCT</th> <th colspan="2">2700K</th> <th colspan="2">3000K</th> <th colspan="2">3500K</th> <th colspan="2">4000K</th> </tr> <tr> <th>CRI</th> <th>80+</th> <th>90+</th> <th>80+</th> <th>90+</th> <th>80+</th> <th>90+</th> <th>80+</th> <th>90+</th> </tr> </thead> <tbody> <tr> <td>CCT MULTIPLIER FOR LUMEN OUTPUT</td> <td>0.96</td> <td>0.81</td> <td>1.00</td> <td>0.85</td> <td>1.03</td> <td>0.88</td> <td>1.06</td> <td>0.91</td> </tr> </tbody> </table>	CCT	2700K		3000K		3500K		4000K		CRI	80+	90+	80+	90+	80+	90+	80+	90+	CCT MULTIPLIER FOR LUMEN OUTPUT	0.96	0.81	1.00	0.85	1.03	0.88	1.06
CCT	2700K		3000K		3500K		4000K																					
CRI	80+	90+	80+	90+	80+	90+	80+	90+																				
CCT MULTIPLIER FOR LUMEN OUTPUT	0.96	0.81	1.00	0.85	1.03	0.88	1.06	0.91																				
<b>80</b>	80 CRI																											
<b>90</b>	90 CRI																											
<b>OPTIC &amp; LM MULTIPLIER</b> SEE PAGE 3	<b>WW</b>	wall wash																										
<b>TRIM COLOR</b> SEE PAGE 3	<b>BK</b>	black																										
	<b>WH</b>	white																										
	<b>MC</b>	matte chrome																										
	<b>CC</b>	custom color, consult factory for details																										
Antimicrobial finish, add <b>AM</b> to black, white or matte chrome i.e. BKAM. Includes shatter proof lens and tamper resistant screws.																												
<b>BEZEL COLOR</b> SEE PAGE 3	<b>BK</b>	black (0.98)																										
	<b>WH</b>	white (1.00)																										
	<b>MC</b>	matte chrome (0.99)																										
	<b>CC</b>	custom color, consult factory for details																										
Antimicrobial finish, add <b>AM</b> to black, white or matte chrome i.e. BKAM.																												

WW BEAM ORDERING CODE		
<b>MOUNTING OPTIONS</b> SEE PAGE 6	<b>NC</b>	new construction with ceiling fitting plate
<b>VOLTAGE</b>	<b>120</b>	120V
	<b>UNV</b>	120V-277V
<b>DIMMING</b>	<b>DIM10</b>	eldoLED flicker free 0-10V dimming to 1%
	<b>DIM10Z</b>	eldoLED flicker free 0-10V dimming to 0%
	<b>DALI</b>	eldoLED flicker free DALI 2 dimming to 1%
	<b>DALIZ</b>	eldoLED flicker free DALI 2 dimming to 0%
	<b>DMXZ</b>	DMX dim to zero
	<b>DMX-RJ45</b>	DMX control dimming to 0.1% with RJ45 connection
	<b>DMX-XLR</b>	DMX control dimming to 0.1% with XLR 5pin connection
	<b>DMX-WL</b>	DMX control dimming to 0.1% with wire lead connection
	<b>LUT</b>	Lutron Hi-lume Ecosystem dimming to 1%, Soft-on & Fade-to-Black
	<b>LUTP<sup>1</sup></b>	Lutron Hi-lume Premier Ecosystem dimming to 0.1%, Soft-on & Fade-to-Black
<b>ELV1<sup>2</sup></b>	leading & trailing edge (Triac/ELV) dimming to 1%	
<b>NLT</b>	nLight control interface: standard Cat-5/RJ45 connection (female), dim to off	
<b>CAS</b>	Casambi Bluetooth control with flicker free 1% dimming	
<b>ELECTRICAL OPTIONS</b>	<b>EM7</b>	emergency battery backup, 90 minutes at 7W to LED
	<b>EM12</b>	emergency battery backup, 90 minutes at 12W to LED
	<b>EM10CA20</b>	remote emergency battery backup, 90 minutes at 10W to LED, CA title 20

ADDITIONAL MOUNTING INFO	
New Construction Bar Hangers (included)	Mounting Length: 14-3/4" to 26"
Extension Kit p/n: K20266 (ordered separately, 1 per fixture)	Extends a pair of Bar Hangers Total Mounting Length: 29" to 48"

YOUR COMPLETED ORDERING CODE
Follow the steps to specify your fixture, example:
<b>NU4 - RWTR - SW - 20LM - 35K - 90 - WW - WH - NC - UNV - DIM10 - EM7</b>

## NOTES

- LUTP not available in 25LM/30LM/40LM.
- ELV1 (120V) not available in 10LM.

\* EldoLED and DMX uses logarithmic dimming curve as standard. For linear dimming curve, add "LIN" after dimming code, i.e. DIM10LIN.

# alphabet

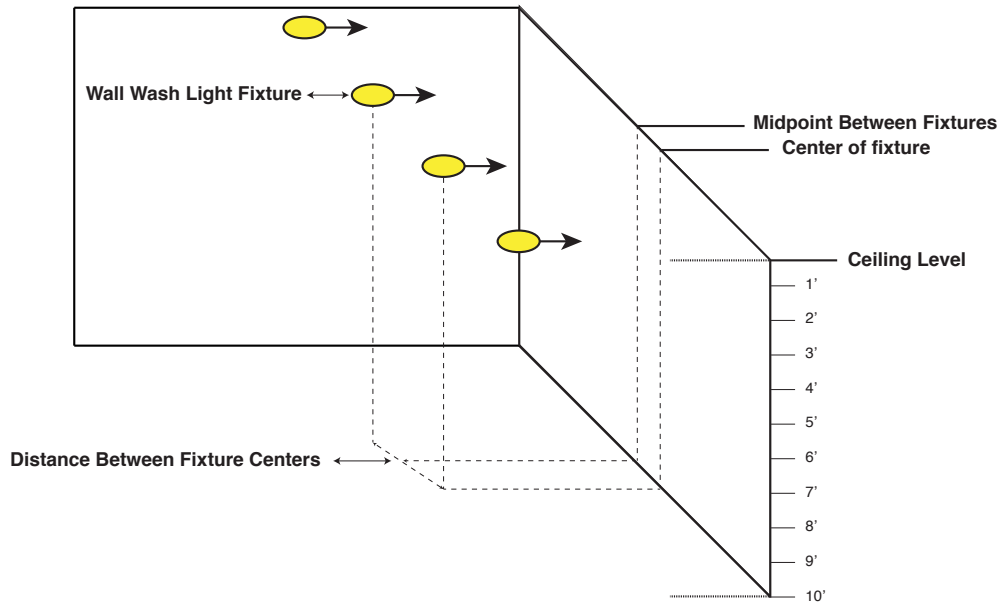
PROJECT INFORMATION			
JOB NAME		TYPE	
ORDERING CODE			

## TRIM OPTIONS

### TRIM COLORS



## PHOTOMETRIC DATA DIAGRAM



## PHOTOMETRIC DATA CHARTS

### FOOT CANDLE MEASUREMENT

STANDARD WHITE WALL WASH 40LM, 80CRI, 3000K																		
MOUNTING DISTANCE	2' FROM WALL						3' FROM WALL						4' FROM WALL					
	2' ON CENTER		3' ON CENTER		4' ON CENTER		2' ON CENTER		3' ON CENTER		4' ON CENTER		3' ON CENTER		4' ON CENTER		6' ON CENTER	
FIXTURE SPACING																		
DISTANCE FROM CEILING	CENTER	MID POINT	CENTER	MID POINT	CENTER	MID POINT	CENTER	MID POINT	CENTER	MID POINT	CENTER	MID POINT	CENTER	MID POINT	CENTER	MID POINT	CENTER	MID POINT
1'	68.3	71.2	54.4	38.8	50.8	19.2	17.7	18.2	13	12.6	10.7	8.9	6.6	6.6	5.3	5	4.1	3
2'	193.3	196.3	130.4	132.2	108.7	90.5	87	91.7	60.7	62.4	46.8	45.5	22.1	23.2	17.1	17.8	13.6	9.7
3'	149.9	152.3	104.4	108.9	81.4	81.7	116.6	122.7	85.9	87.2	64.4	66.6	52.5	54.8	40.8	41.8	28.5	26.6
4'	96.2	97.7	70.7	73.6	54.8	57.7	97.3	101.9	75.4	76.6	57.8	59.9	60.5	62.9	48.3	49.1	32.6	33.1
5'	60.5	61.7	47.2	48.7	37.3	39.2	71.5	74.5	57.9	58.8	45.6	47.2	54.4	56.6	44.6	45.4	30.5	31.5
6'	39.2	40	32	33	26.1	27.1	50.9	52.8	42.7	43.4	34.7	35.7	44.6	46.2	37.5	38.1	26.1	27.2
7'	26.3	26.8	22.3	23	18.7	19.3	36.2	37.3	31.3	31.9	26.2	26.9	35.2	36.4	30.3	30.7	21.6	22.6
8'	18.3	18.6	16	16.5	13.7	14.2	26.2	26.8	23.2	23.7	19.9	20.4	27.4	28.3	24	24.4	17.7	18.4
9'	13.2	13.3	11.7	12.1	10.3	10.7	19.3	19.7	17.4	17.8	15.2	15.7	21.4	22	19	19.4	14.4	14.9
10'	9.7	9.8	8.9	9.1	7.9	8.2	14.5	14.7	13.3	13.5	11.8	12.2	16.7	17.2	15.1	15.4	11.8	12.2

**NOTE**

1. Performance based on typical reflectance values and room dimensions. IES files available at ledbrands.com

PROJECT INFORMATION		
JOB NAME		TYPE
ORDERING CODE		

## PHOTOMETRIC DATA CHARTS

### FOOT CANDLE MEASUREMENT

STANDARD WHITE WALL WASH35LM, 80CRI, 3000K																		
MOUNTING DISTANCE	2' FROM WALL						3' FROM WALL						4' FROM WALL					
FIXTURE SPACING	2' ON CENTER		3' ON CENTER		4' ON CENTER		2' ON CENTER		3' ON CENTER		4' ON CENTER		3' ON CENTER		4' ON CENTER		6' ON CENTER	
DISTANCE FROM CEILING	CENTER	MID POINT	CENTER	MID POINT	CENTER	MID POINT	CENTER	MID POINT	CENTER	MID POINT	CENTER	MID POINT	CENTER	MID POINT	CENTER	MID POINT	CENTER	MID POINT
1'	59.5	62	47.4	33.8	44.3	16.7	15.4	15.9	11.3	11	9.3	7.7	5.7	5.7	4.6	4.4	3.6	2.6
2'	168.4	171	113.6	115.2	94.7	78.8	75.8	79.8	52.8	54.4	40.8	39.7	19.3	20.2	14.9	15.5	11.8	8.5
3'	130.6	132.7	90.9	94.8	70.9	71.2	101.6	106.9	74.8	76	56.1	58	45.7	47.7	35.5	36.4	24.8	23.1
4'	83.8	85.1	61.6	64.1	47.8	50.3	84.8	88.7	65.7	66.8	50.4	52.1	52.7	54.8	42.1	42.7	28.4	28.8
5'	52.7	53.8	41.1	42.4	32.5	34.1	62.3	64.9	50.5	51.2	39.7	41.1	47.4	49.3	38.9	39.5	26.5	27.4
6'	34.1	34.8	27.9	28.7	22.7	23.6	44.3	46	37.2	37.8	30.2	31.1	38.9	40.3	32.6	33.2	22.7	23.7
7'	22.9	23.3	19.4	20.1	16.3	16.8	31.6	32.5	27.3	27.8	22.8	23.4	30.7	31.7	26.4	26.7	18.8	19.7
8'	16	16.2	13.9	14.4	12	12.4	22.8	23.4	20.2	20.6	17.3	17.8	23.9	24.7	20.9	21.3	15.4	16
9'	11.5	11.6	10.2	10.5	9	9.3	16.8	17.1	15.2	15.5	13.3	13.6	18.6	19.2	16.6	16.9	12.6	13
10'	8.5	8.6	7.7	7.9	6.9	7.1	12.6	12.8	11.6	11.8	10.3	10.6	14.6	15	13.2	13.4	10.3	10.6

STANDARD WHITE WALL WASH 30LM, 80CRI, 3000K																		
MOUNTING DISTANCE	2' FROM WALL						3' FROM WALL						4' FROM WALL					
FIXTURE SPACING	2' ON CENTER		3' ON CENTER		4' ON CENTER		2' ON CENTER		3' ON CENTER		4' ON CENTER		3' ON CENTER		4' ON CENTER		6' ON CENTER	
DISTANCE FROM CEILING	CENTER	MID POINT	CENTER	MID POINT	CENTER	MID POINT	CENTER	MID POINT	CENTER	MID POINT	CENTER	MID POINT	CENTER	MID POINT	CENTER	MID POINT	CENTER	MID POINT
1'	53.6	55.8	42.7	30.4	39.9	15.1	13.9	14.3	10.2	9.9	8.4	6.9	5.2	5.2	4.2	3.9	3.2	2.4
2'	151.5	153.9	102.2	103.7	85.2	71	68.2	71.9	47.6	49	36.7	35.7	17.4	18.2	13.4	13.9	10.7	7.6
3'	117.5	119.4	81.9	85.3	63.8	64.1	91.4	96.2	67.3	68.4	50.5	52.2	41.1	42.9	32	32.7	22.3	20.8
4'	75.4	76.6	55.4	57.7	43	45.2	76.3	79.9	59.1	60.1	45.3	46.9	47.4	49.3	37.9	38.5	25.6	25.9
5'	47.5	48.4	37	38.2	29.2	30.7	56.1	58.4	45.4	46.1	35.8	37	42.7	44.4	35	35.6	23.9	24.7
6'	30.7	31.3	25.1	25.9	20.5	21.3	39.9	41.4	33.5	34	27.2	28	35	36.2	29.4	29.9	20.5	21.3
7'	20.6	21	17.5	18	14.7	15.2	28.4	29.3	24.6	25	20.5	21.1	27.6	28.5	23.7	24.1	16.9	17.7
8'	14.4	14.6	12.5	12.9	10.8	11.1	20.5	21	18.2	18.5	15.6	16	21.5	22.2	18.9	19.2	13.9	14.4
9'	10.3	10.4	9.2	9.5	8.1	8.4	15.1	15.4	13.7	13.9	11.9	12.3	16.7	17.3	14.9	15.2	11.3	11.7
10'	7.6	7.7	6.9	7.1	6.2	6.4	11.3	11.5	10.4	10.6	9.3	9.6	13.1	13.5	11.9	12.1	9.2	9.5

STANDARD WHITE WALL WASH 25LM, 80CRI, 3000K																		
MOUNTING DISTANCE	2' FROM WALL						3' FROM WALL						4' FROM WALL					
FIXTURE SPACING	2' ON CENTER		3' ON CENTER		4' ON CENTER		2' ON CENTER		3' ON CENTER		4' ON CENTER		3' ON CENTER		4' ON CENTER		6' ON CENTER	
DISTANCE FROM CEILING	CENTER	MID POINT	CENTER	MID POINT	CENTER	MID POINT	CENTER	MID POINT	CENTER	MID POINT	CENTER	MID POINT	CENTER	MID POINT	CENTER	MID POINT	CENTER	MID POINT
1'	43.3	45.1	34.5	24.6	32.2	12.2	11.2	11.6	8.2	8	6.8	5.6	4.2	4.2	3.4	3.2	2.6	1.9
2'	122.6	124.5	82.7	83.9	68.9	57.4	55.2	58.1	38.5	39.6	29.7	28.9	14	14.7	10.8	11.3	8.6	6.2
3'	95.1	96.6	66.2	69	51.6	51.8	74	77.8	54.5	55.3	40.8	42.2	33.3	34.7	25.8	26.5	18	16.8
4'	61	62	44.8	46.6	34.8	36.6	61.7	64.6	47.8	48.6	36.7	38	38.4	39.9	30.6	31.1	20.7	21
5'	38.4	39.2	29.9	30.9	23.7	24.8	45.4	47.3	36.7	37.3	28.9	30	34.5	35.9	28.3	28.8	19.3	20
6'	24.9	25.3	20.3	20.9	16.5	17.2	32.3	33.5	27.1	27.5	22	22.7	28.3	29.3	23.8	24.1	16.6	17.3
7'	16.7	17	14.1	14.6	11.9	12.3	23	23.7	19.9	20.2	16.6	17.1	22.3	23.1	19.2	19.5	13.7	14.3
8'	11.6	11.8	10.1	10.5	8.7	9	16.6	17	14.7	15	12.6	12.9	17.4	18	15.2	15.5	11.2	11.7
9'	8.3	8.4	7.5	7.7	6.5	6.8	12.2	12.5	11	11.3	9.7	9.9	13.5	14	12.1	12.3	9.1	9.5
10'	6.2	6.2	5.6	5.8	5	5.2	9.2	9.3	8.4	8.6	7.5	7.7	10.6	10.9	9.6	9.8	7.5	7.7

**NOTE**

1. Performance based on typical reflectance values and room dimensions. IES files available at ledrabrands.com

PROJECT INFORMATION		
JOB NAME		TYPE
ORDERING CODE		

## PHOTOMETRIC DATA CHARTS

### FOOT CANDLE MEASUREMENT

STANDARD WHITE WALL WASH 20LM, 80CRI, 3000K																		
MOUNTING DISTANCE	2' FROM WALL						3' FROM WALL						4' FROM WALL					
FIXTURE SPACING	2' ON CENTER		3' ON CENTER		4' ON CENTER		2' ON CENTER		3' ON CENTER		4' ON CENTER		3' ON CENTER		4' ON CENTER		6' ON CENTER	
DISTANCE FROM CEILING	CENTER	MID POINT	CENTER	MID POINT	CENTER	MID POINT	CENTER	MID POINT	CENTER	MID POINT	CENTER	MID POINT	CENTER	MID POINT	CENTER	MID POINT	CENTER	MID POINT
1'	34.7	36.2	27.7	19.8	25.9	9.8	9	9.3	6.6	6.4	5.4	4.5	3.4	3.4	2.7	2.6	2.1	1.5
2'	98.3	99.8	66.3	67.3	55.3	46	44.3	46.6	30.9	31.8	23.8	23.2	11.3	11.8	8.7	9.1	6.9	4.9
3'	76.3	77.5	53.1	55.4	41.4	41.6	59.3	62.4	43.7	44.4	32.8	33.9	26.7	27.9	20.7	21.2	14.5	13.5
4'	48.9	49.7	36	37.4	27.9	29.4	49.5	51.8	38.4	39	29.4	30.5	30.8	32	24.6	25	16.6	16.8
5'	30.8	31.4	24	24.8	19	19.9	36.4	37.9	29.5	29.9	23.2	24	27.7	28.8	22.7	23.1	15.5	16
6'	19.9	20.3	16.3	16.8	13.3	13.8	25.9	26.8	21.7	22.1	17.7	18.2	22.7	23.5	19.1	19.4	13.3	13.8
7'	13.4	13.6	11.3	11.7	9.5	9.8	18.4	19	15.9	16.2	13.3	13.7	17.9	18.5	15.4	15.6	11	11.5
8'	9.3	9.4	8.1	8.4	7	7.2	13.3	13.6	11.8	12	10.1	10.4	13.9	14.4	12.2	12.4	9	9.4
9'	6.7	6.8	6	6.2	5.2	5.4	9.8	10	8.9	9	7.8	8	10.9	11.2	9.7	9.9	7.3	7.6
10'	4.9	5	4.5	4.6	4	4.2	7.4	7.5	6.8	6.9	6	6.2	8.5	8.8	7.7	7.9	6	6.2

STANDARD WHITE WALL WASH 15LM, 80CRI, 3000K																		
MOUNTING DISTANCE	2' FROM WALL						3' FROM WALL						4' FROM WALL					
FIXTURE SPACING	2' ON CENTER		3' ON CENTER		4' ON CENTER		2' ON CENTER		3' ON CENTER		4' ON CENTER		3' ON CENTER		4' ON CENTER		6' ON CENTER	
DISTANCE FROM CEILING	CENTER	MID POINT	CENTER	MID POINT	CENTER	MID POINT	CENTER	MID POINT	CENTER	MID POINT	CENTER	MID POINT	CENTER	MID POINT	CENTER	MID POINT	CENTER	MID POINT
1'	26.2	27.3	20.9	14.9	19.5	7.4	6.8	7	5	4.8	4.1	3.4	2.5	2.5	2	1.9	1.6	1.2
2'	74.1	75.2	50	50.7	41.7	34.7	33.4	35.1	23.2	23.9	18	17.5	8.5	8.9	6.5	6.8	5.2	3.7
3'	57.5	58.4	40	41.7	31.2	31.3	44.7	47	32.9	33.4	24.7	25.5	20.1	21	15.6	16	10.9	10.2
4'	36.9	37.5	27.1	28.2	21	22.1	37.3	39	28.9	29.4	22.2	22.9	23.2	24.1	18.5	18.8	12.5	12.7
5'	23.2	23.7	18.1	18.7	14.3	15	27.4	28.6	22.2	22.5	17.5	18.1	20.9	21.7	17.1	17.4	11.7	12.1
6'	15	15.3	12.3	12.6	10	10.4	19.5	20.2	16.4	16.6	13.3	13.7	17.1	17.7	14.4	14.6	10	10.4
7'	10.1	10.3	8.5	8.8	7.2	7.4	13.9	14.3	12	12.2	10	10.3	13.5	14	11.6	11.8	8.3	8.6
8'	7	7.1	6.1	6.3	5.3	5.4	10	10.3	8.9	9.1	7.6	7.8	10.5	10.9	9.2	9.4	6.8	7
9'	5	5.1	4.5	4.6	4	4.1	7.4	7.5	6.7	6.8	5.8	6	8.2	8.4	7.3	7.4	5.5	5.7
10'	3.7	3.8	3.4	3.5	3	3.1	5.5	5.6	5.1	5.2	4.5	4.7	6.4	6.6	5.8	5.9	4.5	4.7

STANDARD WHITE WALL WASH 10LM, 80CRI, 3000K																		
MOUNTING DISTANCE	2' FROM WALL						3' FROM WALL						4' FROM WALL					
FIXTURE SPACING	2' ON CENTER		3' ON CENTER		4' ON CENTER		2' ON CENTER		3' ON CENTER		4' ON CENTER		3' ON CENTER		4' ON CENTER		6' ON CENTER	
DISTANCE FROM CEILING	CENTER	MID POINT	CENTER	MID POINT	CENTER	MID POINT	CENTER	MID POINT	CENTER	MID POINT	CENTER	MID POINT	CENTER	MID POINT	CENTER	MID POINT	CENTER	MID POINT
1'	17.9	18.6	14.2	10.1	13.3	5	4.6	4.8	3.4	3.3	2.8	2.3	1.7	1.7	1.4	1.3	1.1	0.8
2'	50.5	51.3	34.1	34.6	28.4	23.7	22.7	24	15.9	16.3	12.2	11.9	5.8	6.1	4.5	4.6	3.6	2.5
3'	39.2	39.8	27.3	28.4	21.3	21.4	30.5	32.1	22.4	22.8	16.8	17.4	13.7	14.3	10.7	10.9	7.4	6.9
4'	25.1	25.5	18.5	19.2	14.3	15.1	25.4	26.6	19.7	20	15.1	15.6	15.8	16.4	12.6	12.8	8.5	8.6
5'	15.8	16.1	12.3	12.7	9.7	10.2	18.7	19.5	15.1	15.4	11.9	12.3	14.2	14.8	11.7	11.9	8	8.2
6'	10.2	10.4	8.4	8.6	6.8	7.1	13.3	13.8	11.2	11.3	9.1	9.3	11.7	12.1	9.8	10	6.8	7.1
7'	6.9	7	5.8	6	4.9	5.1	9.5	9.8	8.2	8.3	6.8	7	9.2	9.5	7.9	8	5.6	5.9
8'	4.8	4.9	4.2	4.3	3.6	3.7	6.8	7	6.1	6.2	5.2	5.3	7.2	7.4	6.3	6.4	4.6	4.8
9'	3.4	3.5	3.1	3.2	2.7	2.8	5	5.1	4.6	4.6	4	4.1	5.6	5.8	5	5.1	3.8	3.9
10'	2.5	2.6	2.3	2.4	2.1	2.1	3.8	3.8	3.5	3.5	3.1	3.2	4.4	4.5	4	4	3.1	3.2

**NOTE**

1. Performance based on typical reflectance values and room dimensions. IES files available at ledrabrands.com

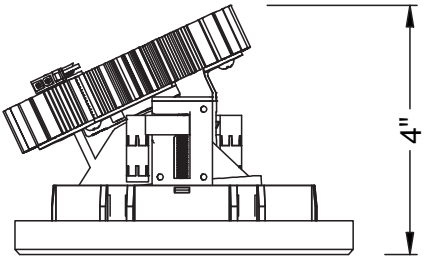
# alphabet

PROJECT INFORMATION		
JOB NAME		TYPE
ORDERING CODE		

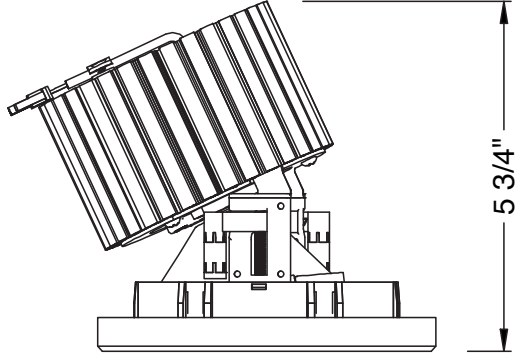
## MOUNTING OPTIONS

### FIXTURE HEIGHT

10LM - 30LM CONFIGURATIONS

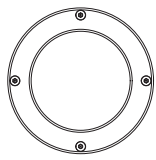
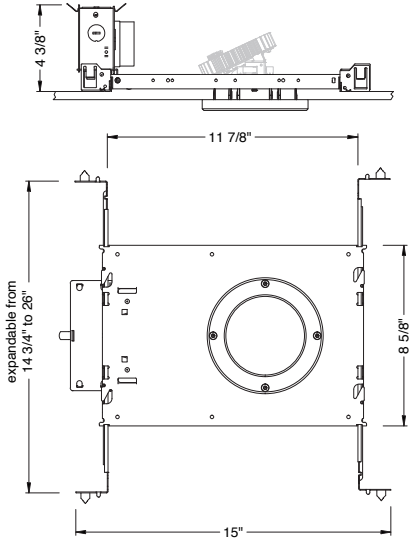


40LM CONFIGURATIONS

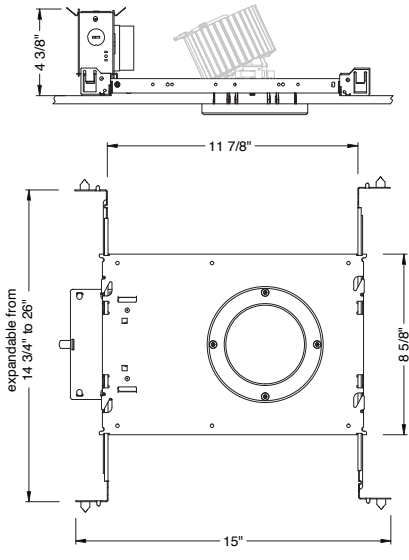
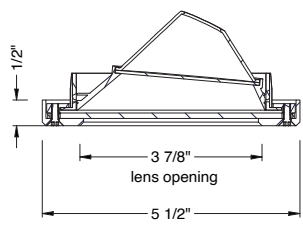


### NC - NEW CONSTRUCTION

TAMPER RESISTANT



ceiling cutout  
4-3/8 diameter  
ceiling thickness  
1/8" to 1-5/8"



PROJECT INFORMATION		
JOB NAME		TYPE
ORDERING CODE		

## BATTERY OPTIONS

### EMERGENCY BATTERY

IOTA's ILB Battery Backups are UL Listed LED emergency drivers that allow the same LED fixture to be used for both normal and emergency operation. In the event of a power failure, the ILB switches to the emergency mode and operates the existing fixture for 90 minutes. The unit contains a battery, charger, and converter circuit in a single can. The Constant Power design of the ILB maintains the output wattage to the LED array even as the system voltage diminishes. UL 924 Listed for U.S. and Canada. UL 1310 Certified, Output Class 2 Compliant. Includes single-piece TBTS test switch and charge indicator accessory kit. For use with switched and unswitched electric fixtures, and includes Two-wire universal AC input. Meets or exceeds all National Electric Code and Life Safety Code Emergency Lighting Requirements. Rated for use in Plenum, Damp Location, Recessed Type IC, and Enclosed and Gasketed Luminares.

### REMOTE TEST SWITCH

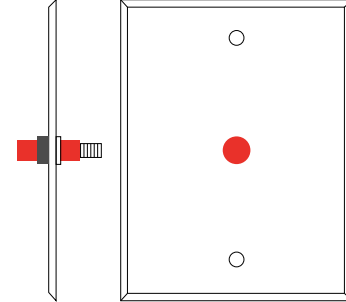
The Remote Test Switch may be mounted adjacent to the LED Fixture by others.

### EMERGENCY BATTERY ACCESS

Above ceiling access is required for service. An access panel in the ceiling (or other form of access) adjacent to the installation location of the Emergency Battery is required.

### REMOTE LOCATION

Maximum remote mounting distance of the emergency driver shall be 50 feet. Remote location wiring provided by others. Follow all Local and National Electric/Building Codes.



Remote Test Switch

EM MODE OUTPUT (DELIVERED LUMENS)			
LUMEN ORDERING CODE	EM7	EM10	EM12
ALL OPTIONS (10LM TO 40LM)	650LM	910LM	1100LM
Notes: Based on 30K, 80CRI			

## NC - NEW CONSTRUCTION WITH EM BATTERY (REMOTE TEST SWITCH)

