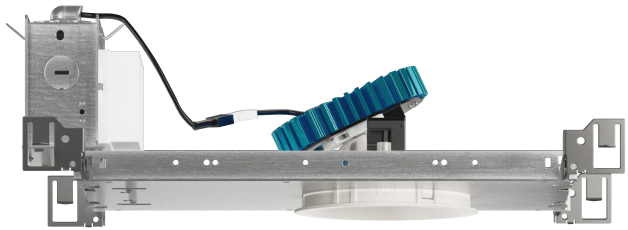


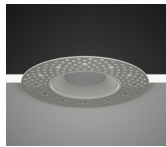
PROJECT INFORMATION		
JOB NAME		TYPE
ORDERING CODE		

## NU4

### 4" Round Wall Wash Standard White



Trim



Trimless



Trimless Millwork

WW BEAM		
(Note: Specifications are subject to change without notice)		
14mm COB PERFORMANCE DATA		
LED LIGHT ENGINE	NOMINAL DELIVERED LUMENS	SYSTEM WATTAGE
10LM	750LM @30K/80CRI	8W
15LM	1100LM @30K/80CRI	12W
20LM	1460LM @30K/80CRI	16W
25LM	1820LM @30K/80CRI	20W
30LM	2250LM @30K/80CRI	26W
35LM	2500LM @30K/80CRI	27W
40LM	2870LM @30K/80CRI	32W
10LM	633LM @30K/90/CRI	8W
15LM	930LM @30K/90/CRI	12W
20LM	1230LM @30K/90/CRI	16W
25LM	1530LM @30K/90/CRI	20W
30LM	1900LM @30K/90/CRI	26W
35LM	2110LM @30K/90/CRI	27W
40LM	2425LM @30K/90/CRI	32W
Notes	Delivered lumens based on WW optic with WW lens, (see page 2)	



eldoLED  
your product | our drive

CASAMBI



#### FEATURES

- An asymmetric reflector with highly efficient BrightView angle bending lens produces excellent wall washing with no scalloping
- 4' set back with 6' on center spacing - 15 FC average
- 3/4" bezel regress with 1/16" micro flange
- UGR <18
- Glare control, specialty optics, trim options, and custom finishes available
- Microban® antimicrobial finish available on all exposed painted surfaces

#### DIMMING AND CONTROLS

- eldoLED flicker free 0-10V dimming to 0% and 1%
- eldoLED flicker free DALI dimming to 0% and 1%
- DMX dim to zero
- Lutron Hi-lume 1% 3-wire/Ecosystem
- Leading & trailing edge (Triac/ELV) dimming to 1%
- Casambi bluetooth dimming to 1.0%
- nLight control interface dimming to 0%

#### CONSTRUCTION

- Lexan™ (PC) highly resistant to impact and heat (240°F)
- Optimal material for wireless BLE signal connectivity
- Shatter proof acrylic bezel lens
- Electrocoated 16-gauge cold-rolled steel construction
- Accommodates ceiling thickness from 1/8" to 1-1/4"

#### LED

- 90 CRI: SDCM = 2-step MacAdam Ellipse, Lumen Maintenance: L<sub>70</sub> > 66,000 hrs
- 80 CRI: SDCM = 3-step MacAdam Ellipse, Lumen Maintenance: L<sub>70</sub> > 66,000 hrs

#### LISTING

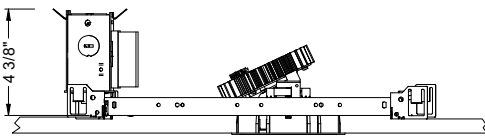
- ULus Listed to UL1598 & UL2108; cUL Listed to CSA C22.2 #250.0
- IP65 with lens - Suitable for wet locations with lens - Suitable for damp locations without lens
- Non-conductive, dead-front construction (shower approved)
- NSF/ANSI-2 with lens (Non-Food and Splash Zones)
- 5 Year Limited warranty

#### ELECTRICAL

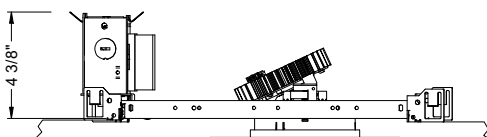
- 120V-277V, 120 only Triac / ELV
- Power factory ≥ 0.9
- 2kV driver input surge protection
- Remote and Integral (ITS) emergency test switch
- 7W, 10W (T20 CEC) and 12W EM 90min battery
- Max. ambient installation temperature 95°F (35°C)

#### FIXTURE HEIGHT

##### 10LM - 30LM LOW LUMENS



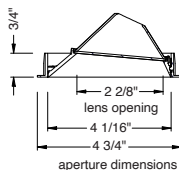
##### 35LM - 40LM HIGH LUMENS



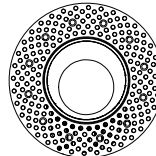
#### TRIMMED



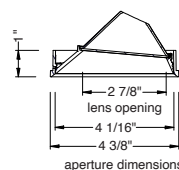
ceiling cutout  
4-3/8" diameter  
ceiling thickness  
1/8" to 1-1/4"



#### TRIMLESS



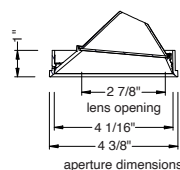
ceiling cutout  
4-1/2" diameter  
ceiling thickness  
3/8" to 1-1/4"



#### MILLWORK



ceiling cutout  
4-3/8" diameter  
ceiling thickness  
1/2" to 1-1/4"



# alphabet

PROJECT INFORMATION		
JOB NAME		TYPE
ORDERING CODE		

WW BEAM ORDERING CODE		
<b>SERIES</b>	NU4	NU4
<b>TYPE</b>	RW	round wall wash
	RWT	round wall wash trimless
	RWTMW	round wall wash trimless millwork
<b>LED</b>	SW	standard white
<b>DELIVERED LUMENS</b>	10LM	750 lm
	15LM	1100 lm
	20LM	1460 lm
	25LM	1820 lm
	30LM	2250 lm
	35LM	2500 lm
	40LM	2870 lm
Standard Configuration: 3000K 80CRI		
Calculated Delivered Lumens = [Delivered Lumen Value] x [CCT Multiplier]		
<b>CCT</b>	27K	2700K
	30K	3000K
	35K	3500K
	40K	4000K
<b>CRI</b>	80	80 CRI
	90	90 CRI
<b>OPTIC &amp; LM MULTIPLIER</b> SEE PAGE 3	WW	wall wash with diffused angle bending lens
<b>TRIM COLOR</b> SEE PAGE 3	BK	black
	WH	white
	MC	matte chrome
	BZ	bronze
	WT	wheat
	CC <sup>1</sup>	custom color, consult factory for details
Antimicrobial finish, add <b>AM</b> to black, white or matte chrome i.e. BKAM.		
Not applicable to trimless option. Do not include in trimless ordering code.		
<b>BEZEL COLOR</b> SEE PAGE 3	BK	black (0.98)
	WH	white (1.00)
	MC	matte chrome (0.99)
	BZ	bronze (0.98)
	WT	wheat (0.99)
	CC <sup>1</sup>	custom color, consult factory for details
Antimicrobial finish, add <b>AM</b> to black, white or matte chrome i.e. BKAM.		

WW BEAM ORDERING CODE		
<b>MOUNTING OPTIONS</b> SEE PAGE 6, 7	NC	new construction with ceiling fitting plate,
	IC <sup>2</sup>	insulation contact housing,
	ICAT <sup>2</sup>	insulation contact/airtight housing,
	CP <sup>2</sup>	chicago plenum housing,
	RET	retrofit, no ceiling fitting plate,
<b>VOLTAGE</b>	120	120V
	UNV	120V-277V
<b>DIMMING</b>	DIM10	eldoLED flicker free 0-10V dimming to 1%
	DIM10Z	eldoLED flicker free 0-10V dimming to 0%
	DALI	eldoLED flicker free DALI dimming to 1%
	DALIZ	eldoLED flicker free DALI dimming to 0%
	DMXZ	DMX dim to zero
	LUTP <sup>3</sup>	Lutron Hi-lume Premier Ecosystem dimming to 0.1%, Soft-on & Fade-to-Black
	ELV1 <sup>4</sup>	leading & trailing edge (Triac/ELV) dimming to 1%
	NLT	nLight control interface: standard Cat-5/RJ45 connection (female), dim to off
	CAS	Casambi Bluetooth control with flicker free 1% dimming
	AWNR <sup>5</sup>	lutron athena wireless node
L3DA	Lutron Hi-lume 1% 3-wire/Ecosystem	
<b>ELECTRICAL OPTIONS</b>	EM7	emergency battery backup, 90 minutes at 7W to LED
	EM12	emergency battery backup, 90 minutes at 12W to LED
	EM10CA20	remote emergency battery backup, 90 minutes at 10W to LED, CA title 20

ADDITIONAL MOUNTING INFO	
New Construction Bar Hangers (included)	Mounting Length: 14-3/4" to 26"
Extension Kit p/n: K20266 (ordered separately, 1 per fixture)	Extends a pair of Bar Hangers Total Mounting Length: 29" to 48"

YOUR COMPLETED ORDERING CODE
Follow the steps to specify your fixture, example:
<b>NU4 - RW - SW - 20LM - 35K - 90 - WW - WH - WH - NC - UNV - DIM10 - EM7</b>

## NOTES

1. Custom set up fee plus minimum quantity required per color.
2. IC/ICAT/CP not available in 35LM/40LM.
3. LUTP not available in 25LM/30LM/35LM/40LM.
4. ELV1 (120V) not available in 10LM.
5. AWNR reference page 9 for product specifications on Athena wireless node.

\* EldoLED uses logarithmic dimming curve as standard. For linear dimming curve, add "LIN" after dimming code, i.e. DIM10LIN.

\* Values shown are for reference only. Actual CCT may vary.

# alphabet

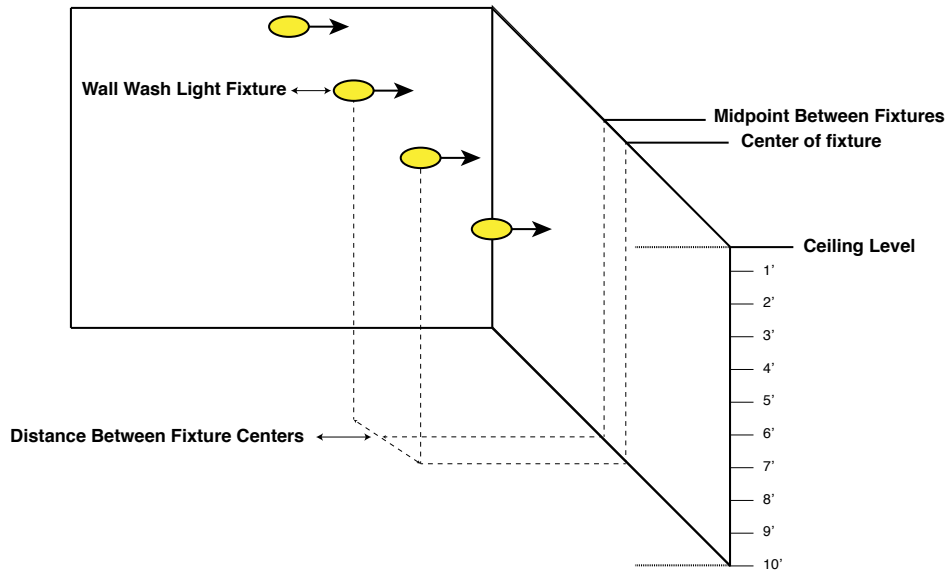
PROJECT INFORMATION		
JOB NAME		TYPE
ORDERING CODE		

## TRIM OPTIONS

### TRIM/BEZEL COLORS



## PHOTOMETRIC DATA DIAGRAM



## PHOTOMETRIC DATA CHARTS

### FOOT CANDLE MEASUREMENT

STANDARD WHITE WALL WASH 40LM, 80CRI, 3000K																		
MOUNTING DISTANCE	2' FROM WALL						3' FROM WALL						4' FROM WALL					
	2' ON CENTER		3' ON CENTER		4' ON CENTER		2' ON CENTER		3' ON CENTER		4' ON CENTER		3' ON CENTER		4' ON CENTER		6' ON CENTER	
FIXTURE SPACING	CENTER	MID POINT	CENTER	MID POINT	CENTER	MID POINT	CENTER	MID POINT	CENTER	MID POINT	CENTER	MID POINT	CENTER	MID POINT	CENTER	MID POINT	CENTER	MID POINT
DISTANCE FROM CEILING	CENTER	MID POINT	CENTER	MID POINT	CENTER	MID POINT	CENTER	MID POINT	CENTER	MID POINT	CENTER	MID POINT	CENTER	MID POINT	CENTER	MID POINT	CENTER	MID POINT
1'	68.3	71.2	54.4	38.8	50.8	19.2	17.7	18.2	13	12.6	10.7	8.9	6.6	6.6	5.3	5	4.1	3
2'	193.3	196.3	130.4	132.2	108.7	90.5	87	91.7	60.7	62.4	46.8	45.5	22.1	23.2	17.1	17.8	13.6	9.7
3'	149.9	152.3	104.4	108.9	81.4	81.7	116.6	122.7	85.9	87.2	64.4	66.6	52.5	54.8	40.8	41.8	28.5	26.6
4'	96.2	97.7	70.7	73.6	54.8	57.7	97.3	101.9	75.4	76.6	57.8	59.9	60.5	62.9	48.3	49.1	32.6	33.1
5'	60.5	61.7	47.2	48.7	37.3	39.2	71.5	74.5	57.9	58.8	45.6	47.2	54.4	56.6	44.6	45.4	30.5	31.5
6'	39.2	40	32	33	26.1	27.1	50.9	52.8	42.7	43.4	34.7	35.7	44.6	46.2	37.5	38.1	26.1	27.2
7'	26.3	26.8	22.3	23	18.7	19.3	36.2	37.3	31.3	31.9	26.2	26.9	35.2	36.4	30.3	30.7	21.6	22.6
8'	18.3	18.6	16	16.5	13.7	14.2	26.2	26.8	23.2	23.7	19.9	20.4	27.4	28.3	24	24.4	17.7	18.4
9'	13.2	13.3	11.7	12.1	10.3	10.7	19.3	19.7	17.4	17.8	15.2	15.7	21.4	22	19	19.4	14.4	14.9
10'	9.7	9.8	8.9	9.1	7.9	8.2	14.5	14.7	13.3	13.5	11.8	12.2	16.7	17.2	15.1	15.4	11.8	12.2

**NOTE**

1. Performance based on typical reflectance values and room dimensions. IES files available at ledbrands.com

PROJECT INFORMATION		
JOB NAME		TYPE
ORDERING CODE		

## PHOTOMETRIC DATA CHARTS

### FOOT CANDLE MEASUREMENT

STANDARD WHITE WALL WASH 35LM, 80CRI, 3000K																		
MOUNTING DISTANCE	2' FROM WALL						3' FROM WALL						4' FROM WALL					
FIXTURE SPACING	2' ON CENTER		3' ON CENTER		4' ON CENTER		2' ON CENTER		3' ON CENTER		4' ON CENTER		3' ON CENTER		4' ON CENTER		6' ON CENTER	
DISTANCE FROM CEILING	CENTER	MID POINT	CENTER	MID POINT	CENTER	MID POINT	CENTER	MID POINT	CENTER	MID POINT	CENTER	MID POINT	CENTER	MID POINT	CENTER	MID POINT	CENTER	MID POINT
1'	59.5	62	47.4	33.8	44.3	16.7	15.4	15.9	11.3	11	9.3	7.7	5.7	5.7	4.6	4.4	3.6	2.6
2'	168.4	171	113.6	115.2	94.7	78.8	75.8	79.8	52.8	54.4	40.8	39.7	19.3	20.2	14.9	15.5	11.8	8.5
3'	130.6	132.7	90.9	94.8	70.9	71.2	101.6	106.9	74.8	76	56.1	58	45.7	47.7	35.5	36.4	24.8	23.1
4'	83.8	85.1	61.6	64.1	47.8	50.3	84.8	88.7	65.7	66.8	50.4	52.1	52.7	54.8	42.1	42.7	28.4	28.8
5'	52.7	53.8	41.1	42.4	32.5	34.1	62.3	64.9	50.5	51.2	39.7	41.1	47.4	49.3	38.9	39.5	26.5	27.4
6'	34.1	34.8	27.9	28.7	22.7	23.6	44.3	46	37.2	37.8	30.2	31.1	38.9	40.3	32.6	33.2	22.7	23.7
7'	22.9	23.3	19.4	20.1	16.3	16.8	31.6	32.5	27.3	27.8	22.8	23.4	30.7	31.7	26.4	26.7	18.8	19.7
8'	16	16.2	13.9	14.4	12	12.4	22.8	23.4	20.2	20.6	17.3	17.8	23.9	24.7	20.9	21.3	15.4	16
9'	11.5	11.6	10.2	10.5	9	9.3	16.8	17.1	15.2	15.5	13.3	13.6	18.6	19.2	16.6	16.9	12.6	13
10'	8.5	8.6	7.7	7.9	6.9	7.1	12.6	12.8	11.6	11.8	10.3	10.6	14.6	15	13.2	13.4	10.3	10.6

STANDARD WHITE WALL WASH 30LM, 80CRI, 3000K																		
MOUNTING DISTANCE	2' FROM WALL						3' FROM WALL						4' FROM WALL					
FIXTURE SPACING	2' ON CENTER		3' ON CENTER		4' ON CENTER		2' ON CENTER		3' ON CENTER		4' ON CENTER		3' ON CENTER		4' ON CENTER		6' ON CENTER	
DISTANCE FROM CEILING	CENTER	MID POINT	CENTER	MID POINT	CENTER	MID POINT	CENTER	MID POINT	CENTER	MID POINT	CENTER	MID POINT	CENTER	MID POINT	CENTER	MID POINT	CENTER	MID POINT
1'	53.6	55.8	42.7	30.4	39.9	15.1	13.9	14.3	10.2	9.9	8.4	6.9	5.2	5.2	4.2	3.9	3.2	2.4
2'	151.5	153.9	102.2	103.7	85.2	71	68.2	71.9	47.6	49	36.7	35.7	17.4	18.2	13.4	13.9	10.7	7.6
3'	117.5	119.4	81.9	85.3	63.8	64.1	91.4	96.2	67.3	68.4	50.5	52.2	41.1	42.9	32	32.7	22.3	20.8
4'	75.4	76.6	55.4	57.7	43	45.2	76.3	79.9	59.1	60.1	45.3	46.9	47.4	49.3	37.9	38.5	25.6	25.9
5'	47.5	48.4	37	38.2	29.2	30.7	56.1	58.4	45.4	46.1	35.8	37	42.7	44.4	35	35.6	23.9	24.7
6'	30.7	31.3	25.1	25.9	20.5	21.3	39.9	41.4	33.5	34	27.2	28	35	36.2	29.4	29.9	20.5	21.3
7'	20.6	21	17.5	18	14.7	15.2	28.4	29.3	24.6	25	20.5	21.1	27.6	28.5	23.7	24.1	16.9	17.7
8'	14.4	14.6	12.5	12.9	10.8	11.1	20.5	21	18.2	18.5	15.6	16	21.5	22.2	18.9	19.2	13.9	14.4
9'	10.3	10.4	9.2	9.5	8.1	8.4	15.1	15.4	13.7	13.9	11.9	12.3	16.7	17.3	14.9	15.2	11.3	11.7
10'	7.6	7.7	6.9	7.1	6.2	6.4	11.3	11.5	10.4	10.6	9.3	9.6	13.1	13.5	11.9	12.1	9.2	9.5

STANDARD WHITE WALL WASH 25LM, 80CRI, 3000K																		
MOUNTING DISTANCE	2' FROM WALL						3' FROM WALL						4' FROM WALL					
FIXTURE SPACING	2' ON CENTER		3' ON CENTER		4' ON CENTER		2' ON CENTER		3' ON CENTER		4' ON CENTER		3' ON CENTER		4' ON CENTER		6' ON CENTER	
DISTANCE FROM CEILING	CENTER	MID POINT	CENTER	MID POINT	CENTER	MID POINT	CENTER	MID POINT	CENTER	MID POINT	CENTER	MID POINT	CENTER	MID POINT	CENTER	MID POINT	CENTER	MID POINT
1'	43.3	45.1	34.5	24.6	32.2	12.2	11.2	11.6	8.2	8	6.8	5.6	4.2	4.2	3.4	3.2	2.6	1.9
2'	122.6	124.5	82.7	83.9	68.9	57.4	55.2	58.1	38.5	39.6	29.7	28.9	14	14.7	10.8	11.3	8.6	6.2
3'	95.1	96.6	66.2	69	51.6	51.8	74	77.8	54.5	55.3	40.8	42.2	33.3	34.7	25.8	26.5	18	16.8
4'	61	62	44.8	46.6	34.8	36.6	61.7	64.6	47.8	48.6	36.7	38	38.4	39.9	30.6	31.1	20.7	21
5'	38.4	39.2	29.9	30.9	23.7	24.8	45.4	47.3	36.7	37.3	28.9	30	34.5	35.9	28.3	28.8	19.3	20
6'	24.9	25.3	20.3	20.9	16.5	17.2	32.3	33.5	27.1	27.5	22	22.7	28.3	29.3	23.8	24.1	16.6	17.3
7'	16.7	17	14.1	14.6	11.9	12.3	23	23.7	19.9	20.2	16.6	17.1	22.3	23.1	19.2	19.5	13.7	14.3
8'	11.6	11.8	10.1	10.5	8.7	9	16.6	17	14.7	15	12.6	12.9	17.4	18	15.2	15.5	11.2	11.7
9'	8.3	8.4	7.5	7.7	6.5	6.8	12.2	12.5	11	11.3	9.7	9.9	13.5	14	12.1	12.3	9.1	9.5
10'	6.2	6.2	5.6	5.8	5	5.2	9.2	9.3	8.4	8.6	7.5	7.7	10.6	10.9	9.6	9.8	7.5	7.7

NOTE  
1. Performance based on typical reflectance values and room dimensions. IES files available at ledbrands.com

PROJECT INFORMATION		
JOB NAME		TYPE
ORDERING CODE		

## PHOTOMETRIC DATA CHARTS

### FOOT CANDLE MEASUREMENT

STANDARD WHITE WALL WASH 20LM, 80CRI, 3000K																		
MOUNTING DISTANCE	2' FROM WALL						3' FROM WALL						4' FROM WALL					
	2' ON CENTER		3' ON CENTER		4' ON CENTER		2' ON CENTER		3' ON CENTER		4' ON CENTER		3' ON CENTER		4' ON CENTER		6' ON CENTER	
FIXTURE SPACING																		
DISTANCE FROM CEILING	CENTER	MID POINT	CENTER	MID POINT	CENTER	MID POINT	CENTER	MID POINT	CENTER	MID POINT	CENTER	MID POINT	CENTER	MID POINT	CENTER	MID POINT	CENTER	MID POINT
1'	34.7	36.2	27.7	19.8	25.9	9.8	9	9.3	6.6	6.4	5.4	4.5	3.4	3.4	2.7	2.6	2.1	1.5
2'	98.3	99.8	66.3	67.3	55.3	46	44.3	46.6	30.9	31.8	23.8	23.2	11.3	11.8	8.7	9.1	6.9	4.9
3'	76.3	77.5	53.1	55.4	41.4	41.6	59.3	62.4	43.7	44.4	32.8	33.9	26.7	27.9	20.7	21.2	14.5	13.5
4'	48.9	49.7	36	37.4	27.9	29.4	49.5	51.8	38.4	39	29.4	30.5	30.8	32	24.6	25	16.6	16.8
5'	30.8	31.4	24	24.8	19	19.9	36.4	37.9	29.5	29.9	23.2	24	27.7	28.8	22.7	23.1	15.5	16
6'	19.9	20.3	16.3	16.8	13.3	13.8	25.9	26.8	21.7	22.1	17.7	18.2	22.7	23.5	19.1	19.4	13.3	13.8
7'	13.4	13.6	11.3	11.7	9.5	9.8	18.4	19	15.9	16.2	13.3	13.7	17.9	18.5	15.4	15.6	11	11.5
8'	9.3	9.4	8.1	8.4	7	7.2	13.3	13.6	11.8	12	10.1	10.4	13.9	14.4	12.2	12.4	9	9.4
9'	6.7	6.8	6	6.2	5.2	5.4	9.8	10	8.9	9	7.8	8	10.9	11.2	9.7	9.9	7.3	7.6
10'	4.9	5	4.5	4.6	4	4.2	7.4	7.5	6.8	6.9	6	6.2	8.5	8.8	7.7	7.9	6	6.2

STANDARD WHITE WALL WASH 15LM, 80CRI, 3000K																		
MOUNTING DISTANCE	2' FROM WALL						3' FROM WALL						4' FROM WALL					
	2' ON CENTER		3' ON CENTER		4' ON CENTER		2' ON CENTER		3' ON CENTER		4' ON CENTER		3' ON CENTER		4' ON CENTER		6' ON CENTER	
FIXTURE SPACING																		
DISTANCE FROM CEILING	CENTER	MID POINT	CENTER	MID POINT	CENTER	MID POINT	CENTER	MID POINT	CENTER	MID POINT	CENTER	MID POINT	CENTER	MID POINT	CENTER	MID POINT	CENTER	MID POINT
1'	26.2	27.3	20.9	14.9	19.5	7.4	6.8	7	5	4.8	4.1	3.4	2.5	2.5	2	1.9	1.6	1.2
2'	74.1	75.2	50	50.7	41.7	34.7	33.4	35.1	23.2	23.9	18	17.5	8.5	8.9	6.5	6.8	5.2	3.7
3'	57.5	58.4	40	41.7	31.2	31.3	44.7	47	32.9	33.4	24.7	25.5	20.1	21	15.6	16	10.9	10.2
4'	36.9	37.5	27.1	28.2	21	22.1	37.3	39	28.9	29.4	22.2	22.9	23.2	24.1	18.5	18.8	12.5	12.7
5'	23.2	23.7	18.1	18.7	14.3	15	27.4	28.6	22.2	22.5	17.5	18.1	20.9	21.7	17.1	17.4	11.7	12.1
6'	15	15.3	12.3	12.6	10	10.4	19.5	20.2	16.4	16.6	13.3	13.7	17.1	17.7	14.4	14.6	10	10.4
7'	10.1	10.3	8.5	8.8	7.2	7.4	13.9	14.3	12	12.2	10	10.3	13.5	14	11.6	11.8	8.3	8.6
8'	7	7.1	6.1	6.3	5.3	5.4	10	10.3	8.9	9.1	7.6	7.8	10.5	10.9	9.2	9.4	6.8	7
9'	5	5.1	4.5	4.6	4	4.1	7.4	7.5	6.7	6.8	5.8	6	8.2	8.4	7.3	7.4	5.5	5.7
10'	3.7	3.8	3.4	3.5	3	3.1	5.5	5.6	5.1	5.2	4.5	4.7	6.4	6.6	5.8	5.9	4.5	4.7

STANDARD WHITE WALL WASH 10LM, 80CRI, 3000K																		
MOUNTING DISTANCE	2' FROM WALL						3' FROM WALL						4' FROM WALL					
	2' ON CENTER		3' ON CENTER		4' ON CENTER		2' ON CENTER		3' ON CENTER		4' ON CENTER		3' ON CENTER		4' ON CENTER		6' ON CENTER	
FIXTURE SPACING																		
DISTANCE FROM CEILING	CENTER	MID POINT	CENTER	MID POINT	CENTER	MID POINT	CENTER	MID POINT	CENTER	MID POINT	CENTER	MID POINT	CENTER	MID POINT	CENTER	MID POINT	CENTER	MID POINT
1'	17.9	18.6	14.2	10.1	13.3	5	4.6	4.8	3.4	3.3	2.8	2.3	1.7	1.7	1.4	1.3	1.1	0.8
2'	50.5	51.3	34.1	34.6	28.4	23.7	22.7	24	15.9	16.3	12.2	11.9	5.8	6.1	4.5	4.6	3.6	2.5
3'	39.2	39.8	27.3	28.4	21.3	21.4	30.5	32.1	22.4	22.8	16.8	17.4	13.7	14.3	10.7	10.9	7.4	6.9
4'	25.1	25.5	18.5	19.2	14.3	15.1	25.4	26.6	19.7	20	15.1	15.6	15.8	16.4	12.6	12.8	8.5	8.6
5'	15.8	16.1	12.3	12.7	9.7	10.2	18.7	19.5	15.1	15.4	11.9	12.3	14.2	14.8	11.7	11.9	8	8.2
6'	10.2	10.4	8.4	8.6	6.8	7.1	13.3	13.8	11.2	11.3	9.1	9.3	11.7	12.1	9.8	10	6.8	7.1
7'	6.9	7	5.8	6	4.9	5.1	9.5	9.8	8.2	8.3	6.8	7	9.2	9.5	7.9	8	5.6	5.9
8'	4.8	4.9	4.2	4.3	3.6	3.7	6.8	7	6.1	6.2	5.2	5.3	7.2	7.4	6.3	6.4	4.6	4.8
9'	3.4	3.5	3.1	3.2	2.7	2.8	5	5.1	4.6	4.6	4	4.1	5.6	5.8	5	5.1	3.8	3.9
10'	2.5	2.6	2.3	2.4	2.1	2.1	3.8	3.8	3.5	3.5	3.1	3.2	4.4	4.5	4	4	3.1	3.2

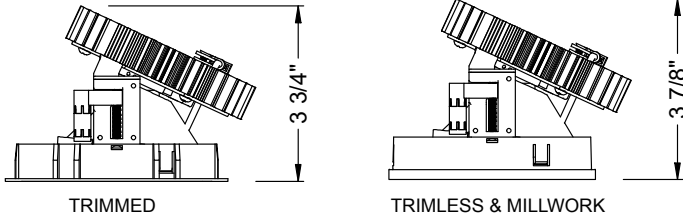
**NOTE**  
1. Performance based on typical reflectance values and room dimensions. IES files available at ledrabrands.com

PROJECT INFORMATION		
JOB NAME	TYPE	
ORDERING CODE		

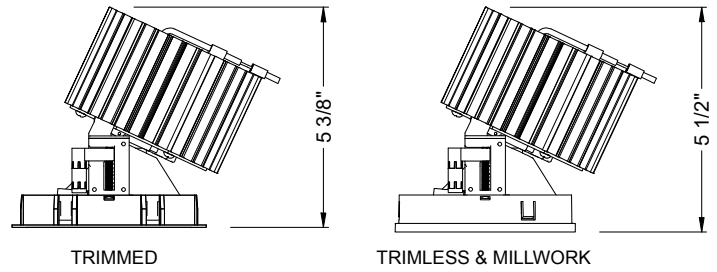
## MOUNTING OPTIONS

### FIXTURE HEIGHT

#### 10LM - 30LM CONFIGURATION

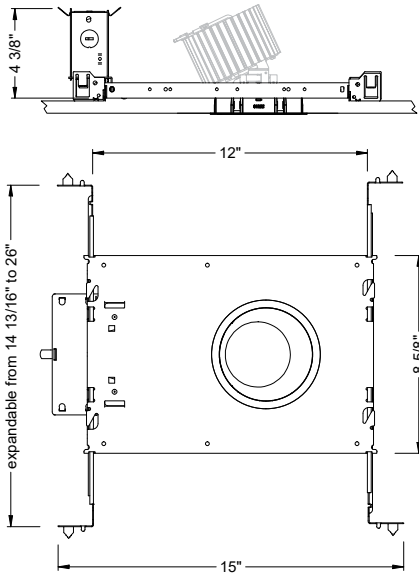


#### 35LM - 40LM CONFIGURATION

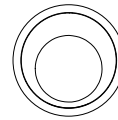


### NC - NEW CONSTRUCTION

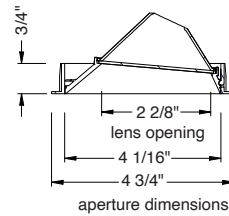
#### TRIM



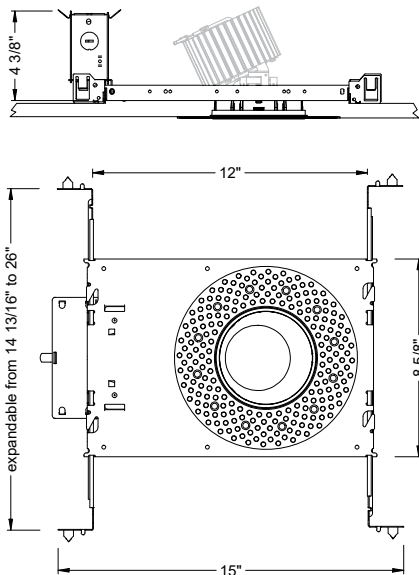
#### TRIM



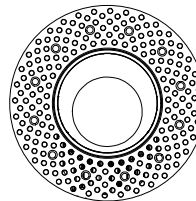
ceiling cutout  
4-3/8" diameter  
ceiling thickness  
1/8" to 1-1/4"



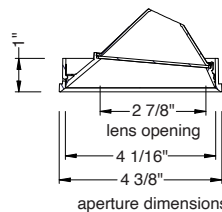
#### TRIMLESS



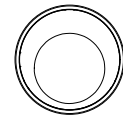
#### TRIMLESS



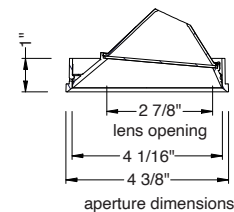
ceiling cutout  
4-1/2" diameter  
ceiling thickness  
3/8" to 1-1/4"



#### TRIMLESS/MILLWORK



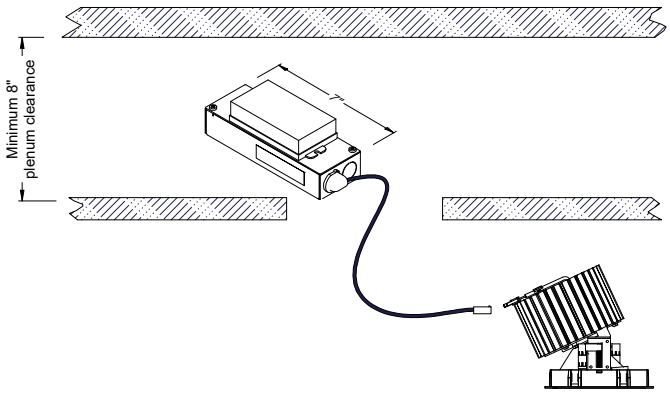
ceiling cutout  
4-3/8" diameter  
ceiling thickness  
1/2" to 1-1/4"



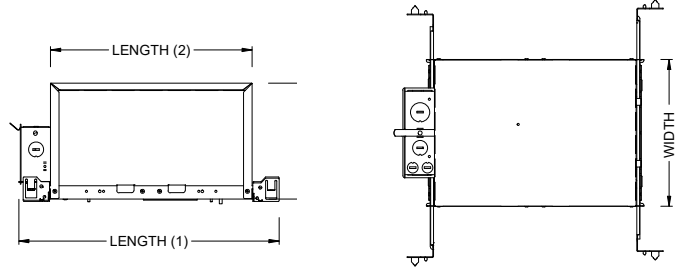
PROJECT INFORMATION		
JOB NAME	TYPE	
ORDERING CODE		

## MOUNTING OPTIONS (CONTINUED)

### RET - RETRO TRIM/TRIMLESS



### IC - INSULATION CONTACT HOUSING ICAT - INSULATION CONTACT / AIR TIGHT CP - CHICAGO PLENUM



BOX SIZE	L 1	L 2	W	H
A	15 - 7/16"	11 - 3/4"	8 - 1/2"	6 - 3/4"

RATINGS / CERTIFICATIONS	NC	RET	IC	ICAT	CP
TYPE NON-IC	✓	✓			
TYPE IC			✓	✓	✓
CHICAGO PLENUM (CCEA)					✓
SUITABLE FOR AIR HANDLING PLENUMS	✓	✓	✓	✓	✓
REDUCED AIRFLOW (WITH LENS) ASTM E283	✓	✓	✓	✓	✓

BOX TYPE / LUMEN OUTPUT - STANDARD BEAMS (WW)			
LUMEN OUTPUT	BOX - A		
	IC	ICAT	CP
10LM	✓	✓	✓
15LM	✓	✓	✓
20LM	✓	✓	✓
25LM	✓	✓	✓
30LM	✓	✓	✓
35LM			

CEILING THICKNESS	
FIXTURE TYPE	MOUNTING TYPE
	STANDARD CEILING THICKNESS
TRIM	1/8" to 1-1/4"
TRIMLESS	3/8" to 1-1/4"
MILLWORK (TRIMLESS)	1/2" to 1-1/4"

PROJECT INFORMATION		
JOB NAME		TYPE
ORDERING CODE		

## BATTERY OPTIONS

### EMERGENCY BATTERY

IOTA's ILB Battery Backups are UL Listed LED emergency drivers that allow the same LED fixture to be used for both normal and emergency operation. In the event of a power failure, the ILB switches to the emergency mode and operates the existing fixture for 90 minutes. The unit contains a battery, charger, and converter circuit in a single can. The Constant Power design of the ILB maintains the output wattage to the LED array even as the system voltage diminishes. UL 924 Listed for U.S. and Canada. UL 1310 Certified, Output Class 2 Compliant. Includes single-piece TBTS test switch and charge indicator accessory kit. For use with switched and unswitched electric fixtures, and includes Two-wire universal AC input. Meets or exceeds all National Electric Code and Life Safety Code Emergency Lighting Requirements. Rated for use in Plenum, Damp Location, Recessed Type IC, and Enclosed and Gasketed Luminares.

### REMOTE TEST SWITCH

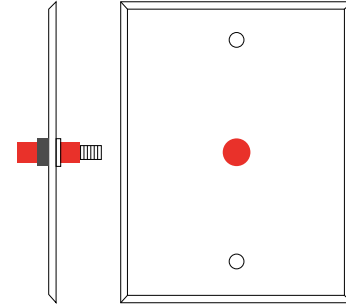
The Remote Test Switch may be mounted adjacent to the LED Fixture by others.

### EMERGENCY BATTERY ACCESS

Above ceiling access is required for service. An access panel in the ceiling (or other form of access) adjacent to the installation location of the Emergency Battery is required.

### REMOTE LOCATION

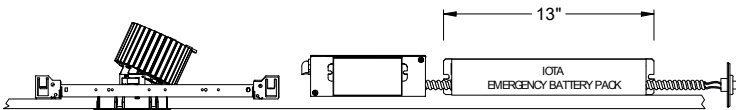
Maximum remote mounting distance of the emergency driver shall be 50 feet. Remote location wiring provided by others. Follow all Local and National Electric/ Building Codes.



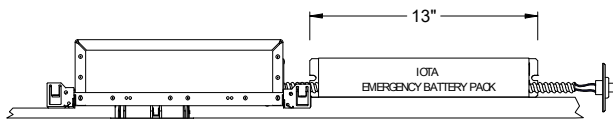
Remote Test Switch

EM MODE OUTPUT (DELIVERED LUMENS)			
LUMEN ORDERING CODE	EM7	EM10	EM12
ALL OPTIONS (10LM TO 40LM)	650LM	910LM	1100LM
Notes: Based on 30K, 80CRI			

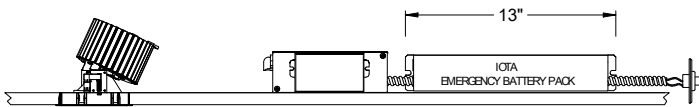
### NC - NEW CONSTRUCTION WITH EM BATTERY (REMOTE TEST SWITCH)



### IC / ICAT / CP - INSULATION CONTACT HOUSING WITH EM BATTERY (REMOTE TEST SWITCH)

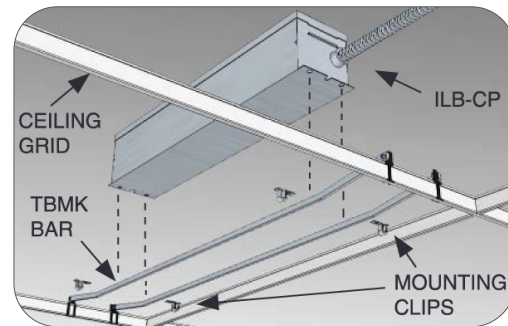


### RET - RETROFIT WITH EM BATTERY (REMOTE TEST SWITCH)



### Accessory

76066 Optional T-Grid Mounting Kit†



1. Can be used with any of the Emergency Battery Backups. Must be ordered as a separate line item.

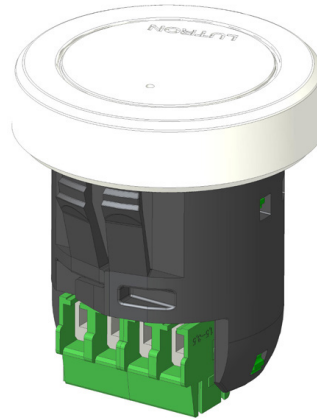


PROJECT INFORMATION		
JOB NAME	TYPE	
ORDERING CODE		

## AWNRR OPTIONS

### Athena Wireless Node

The Athena wireless node is a radio frequency (RF) device that enables simple, digital control of individual light fixtures in an Athena control system.



Athena Wireless Node RF

#### AWNRR

Plenum rated and can be installed above the ceiling for wireless control of a fixture without any impact on fixture aesthetics.

#### FEATURES

- Enables individual, wireless control of each fixture in an Athena control system. Accommodates zone and control changes without rewiring.
- Installed at factory – no wiring required on-site. Fixture is ready to communicate wirelessly once power is connected.
- All drivers on the link are controlled as a single zone.

#### REGULATORY APPROVALS

- cULus Listed (UL916)
- Complies with requirements for use in other spaces used for environmental air (plenums) per NEC® 2014 300.22(C)(3).
- FCC compliant with the limits for a Class B digital device.
- IC (Industry Canada)
- ANSI C137.1 0-10 V- Electronic Off

#### POWER / LOAD

- IEC SELV/NEC® Class 2
- 1 Watt

#### ENVIRONMENTAL

- Ambient operating temperature (immediate vicinity of Athena wireless node): **32 °F to 131 °F** (0 °C to 55 °C), 0% to 90% humidity.

#### BATTERY OPTIONS

- For EM options please consult factory.

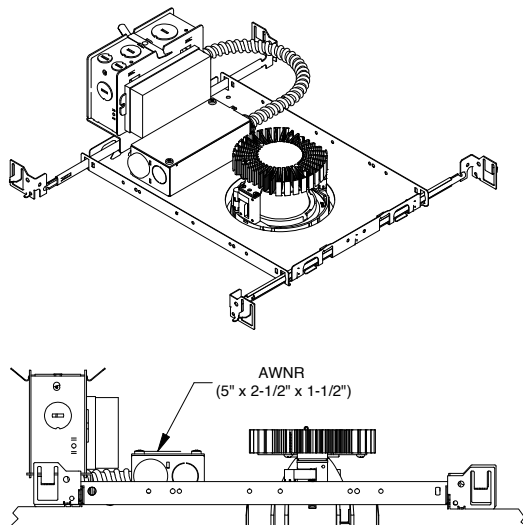
#### Note: Default behavior prior to programming

- Light level 100%
- Athena wireless node performs an unprogrammed startup sequence on every power up until the device is added to an Athena system.
- Each Athena wireless node should be installed within 25 ft (7.62 m) of two or more Athena wireless nodes or other Clear Connect – Type X devices.
- For Chicago plenum installations, the Athena wireless node may not be installed in the plenum space. It must be installed in the occupied space.

**For servicing the driver/j-box, access above ceiling is required. (NC Mounting)**

**IC/ICAT/CP not available in AAWNRR.**

### NC - NEW CONSTRUCTION



### RET - RETRO FIT

