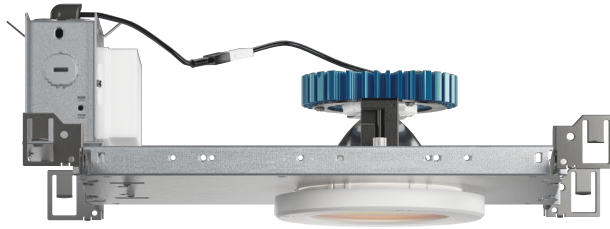


PROJECT INFORMATION		
JOB NAME		TYPE
ORDERING CODE		

NU4

4" Round Downlight Tamper Resistant Standard White



20° - 65° BEAM (Note: Specifications are subject to change without notice)		
14mm COB PERFORMANCE DATA		
LED LIGHT ENGINE	NOMINAL DELIVERED LUMENS	SYSTEM WATTAGE
10LM	890LM @30K/80CRI	9W
15LM	1340LM @30K/80CRI	12W
20LM	1890LM @30K/80CRI	17W
25LM	2290LM @30K/80CRI	21W
30LM	2780LM @30K/80CRI	26W
35LM	3220LM @30K/80CRI	31W
40LM	3760LM @30K/80CRI	37W
10LM	760LM @30K/90/CRI	9W
15LM	1140LM @30K/90/CRI	12W
20LM	1600LM @30K/90/CRI	17W
25LM	1940LM @30K/90/CRI	21W
30LM	2360LM @30K/90/CRI	26W
35LM	2740LM @30K/90/CRI	31W
40LM	3200LM @30K/90/CRI	37W
Notes	Delivered lumens based on 25D optic with no lens, (see page 2)	

8°-12° BEAM (Note: Specifications are subject to change without notice)		
6mm COB PERFORMANCE DATA		
LED LIGHT ENGINE	NOMINAL DELIVERED LUMENS	SYSTEM WATTAGE
10LM	730LM @30K/80CRI	10W
15LM	1090LM @30K/80CRI	16W
20LM	1460LM @30K/80CRI	23W
10LM	620LM @30K/90CRI	10W
15LM	920LM @30K/90CRI	16W
20LM	1240LM @30K/90CRI	23W
Notes	Delivered lumens based on 8D optic no lens, (see page 2)	



FEATURES

- Designed to meet NYS-OMH rigorous requirements
- Spun aluminum frame with stainless steel tamper resistant screws
- Polycarbonate (3mm) shatter proof lensing
- 8° to 65° Optical beam control
- UGR <19
- Up to 106 LPW
- Microban® antimicrobial finish available on all exposed painted surfaces

LED

- 90 CRI: SDCM = 2-step MacAdam Ellipse, Lumen Maintenance: L₇₀ > 66,000 hrs
- 80 CRI: SDCM = 2-step MacAdam Ellipse, Lumen Maintenance: L₇₀ > 66,000 hrs

DIMMING AND CONTROLS

- eldoLED flicker free 0-10V dimming to 0% and 1%
- eldoLED flicker free DALI dimming to 0% and 1%
- DMX dim to zero
- Lutron Hi-lumen 2-Wire (Eco System) dimming to 0.1% and 1%
- Leading & trailing edge (Triac/ELV) dimming to 1%
- Casambi bluetooth dimming to 1.0%
- NLight control interface dimming to 0%

LISTING

- ULus Listed to UL1598 & UL2108; cUL Listed to CSA C22.2 #250.0
- IP65 with lens - Suitable for wet locations
- Non-conductive, dead-front construction (shower approved)
- NSF/ANSI-2 with lens (Non-Food and Splash Zones)
- NYSOMH - New York State Office of Mental Health compliant
- 5 Year Limited warranty

CONSTRUCTION

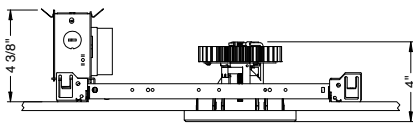
- Aluminum 6061 lensing frame
- 18-8 stainless steel tamper resistant screws
- Shatter proof acrylic bezel lens
- Electrocoated 16-gauge cold-rolled steel construction
- Accommodates ceiling thickness from 1/8" to 1-3/4"

ELECTRICAL

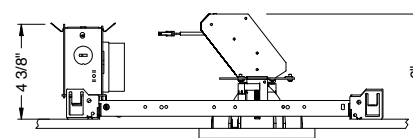
- 120V-277V, 120 only Triac / ELV
- Power factory ≥ 0.9
- 2kV driver input surge protection
- Remote emergency test switch
- 7W, 10W (T20 CEC) and 12W EM 90min battery
- Max. ambient installation temperature 95°F (35°C)

FIXTURE HEIGHT

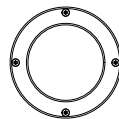
10LM - 30LM LOW LUMENS



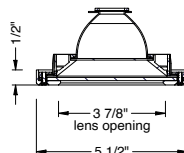
40LM HIGH LUMENS



TAMPER RESISTANT



ceiling cutout
4-3/8 diameter
ceiling thickness
1/8" to 1-5/8"



alphabet

PROJECT INFORMATION		
JOB NAME		TYPE
ORDERING CODE		

8°- 65° BEAM ORDERING CODE

SERIES	NU4	NU4									
TYPE	RDTR	round downlight tamper resistant									
LED	SW	standard white									
DELIVERED LUMENS	10LM	890 lm									
	15LM	1340 lm									
	20LM	1890 lm									
	25LM	2290 lm									
	30LM	2780 lm									
	35LM	3220 lm									
	40LM	3760 lm									
Standard Configuration: 3000K 80CRI 25D, NL											
Calculated Delivered Lumens = [Delivered Lumen Value] x [CCT Multiplier] x [Reflector Multiplier]											
CCT	27K	2700K	CCT	2700K	3000K	3500K	4000K				
	30K	3000K	CRI	80+	90+	80+	90+	80+	90+		
	35K	3500K	CCT MULTIPLIER FOR LUMEN OUTPUT	0.96	0.81	1.00	0.85	1.03	0.88	1.06	0.91
	40K	4000K									
CRI	80	80 CRI									
	90	90 CRI									
OPTIC & LM MULTIPLIER SEE PAGE 3- 7	8D ¹	8 degrees					(1.00)				
	12D ¹	12 degrees					(1.00)				
	20D	20 degrees					(0.99)				
	25D	25 degrees					(1.00)				
	35D	35 degrees					(0.99)				
	50D	50 degrees					(0.99)				
	65D	65 degrees					(0.99)				
BEZEL LENS	CL	clear lens					(0.98)				
	DL	diffused lens					(0.91)				
	HET	high efficiency textured lens, similar to Solite™					(0.92)				
	SBL	smoothing beam lens					(0.92)				
TRIM COLOR	BK	black									
	WH	white									
	MC	matte chrome									
	CC ²	custom color, consult factory for details									
Antimicrobial finish, add AM to black, white or matte chrome i.e. BKAM.											
Tamper resistant trim includes clear shatter proof lens and tamper resistant screws.											
BEZEL COLOR	BK	black					(0.98)				
	WH	white					(1.00)				
	MC	matte chrome					(0.99)				
	CC ²	custom color, consult factory for details									
Antimicrobial finish, add AM to black, white or matte chrome i.e. BKAM.											

8°- 65° BEAM ORDERING CODE

MOUNTING OPTIONS SEE PAGE 6, 7	NC	new construction with ceiling fitting plate,
VOLTAGE	120	120V
	UNV	120V-277V
DIMMING	DIM10	eldoLED flicker free 0-10V dimming to 1%
	DIM10Z	eldoLED flicker free 0-10V dimming to 0%
	DALI	eldoLED flicker free DALI dimming to 1%
	DALIZ	eldoLED flicker free DALI dimming to 0%
	DMX-RJ45	DMX control dimming to 0.1% with RJ45 connection
	DMX-WL	DMX control dimming to 0.1% with wire lead connection
	DMX-XLR	DMX control dimming to 0.1% with XLR 5pin connection
	LUT	Lutron Hi-lume Ecosystem dimming to 1%, Soft-on & Fade-to-Black
	LUTP ³	Lutron Hi-lume Premier Ecosystem dimming to 0.1%, Soft-on & Fade-to-Black
	ELVI ⁴	leading & trailing edge (Triac/ELV) dimming to 1%
NLT	nLight control interface: standard Cat-5/RJ45 connection (female), dim to off	
CAS	Casambi Bluetooth control with flicker free 1% dimming	
AWN ⁵	lutron athena wireless node	
ELECTRICAL OPTIONS	EM7	emergency battery backup, 90 minutes at 7W to LED
	EM12	emergency battery backup, 90 minutes at 12W to LED
	EM10CA20	remote emergency battery backup, 90 minutes at 10W to LED, CA title 20

ADDITIONAL MOUNTING INFO

New Construction Bar Hangers (included)	Mounting Length: 14-3/4" to 26"
Extension Kit p/n: K20266 (ordered separately, 1 per fixture)	Extends a pair of Bar Hangers Total Mounting Length: 29" to 48"

YOUR COMPLETED ORDERING CODE

Follow the steps to specify your fixture, example:
NU4 - RDTR - SW - 20LM - 35K - 90 - 20D - WH - WH - NC - UNV - DIM10 - EM7

NOTES

- 8D/12D available in 10LM/15LM/20LM.
- Custom set up fee plus minimum quantity required per color.
- LUTP not available in 25LM/30LM/40LM.
- ELVI (120V) not available in 10LM.
- AWN⁵ Reference last page for product specifications on athena wireless node

* EdoLED and DMX uses logarithmic dimming curve as standard. For linear dimming curve, add "LIN" after dimming code, i.e. DIM10LIN.

TRIM OPTIONS

TRIM/BEZEL COLORS



alphabet

PROJECT INFORMATION		
JOB NAME		TYPE
ORDERING CODE		

PHOTOMETRIC DATA

20LM CCT MULTIPLIERS		
	80CRI	90CRI
2700K	0.96	0.81
3000K	1	0.85
3500K	1.03	0.88
4000K	1.06	0.91
FC Formula = CBCP / Distance ²		

20D 18°, TAMPER RESISTANT LENS	
WATTS: 17.2	LPW: 109.2
LUMENS: 1879	CCT: 3000K
INTENSITY	
DEGREE	CANDELA
0	10460
5	9465
15	1953
25	776
35	360
45	2

25D 23°, TAMPER RESISTANT LENS	
WATTS: 17.2	LPW: 109.9
LUMENS: 1890	CCT: 3000K
INTENSITY	
DEGREE	CANDELA
0	7901
5	6830
15	2483
25	846
35	335
45	2

35D 36°, TAMPER RESISTANT LENS	
WATTS: 17.2	LPW: 108.5
LUMENS: 1867	CCT: 3000K
INTENSITY	
DEGREE	CANDELA
0	4134
5	3854
15	2560
25	1185
35	392
45	9

40LM CCT MULTIPLIERS		
	80CRI	90CRI
2700K	0.96	0.81
3000K	1	0.85
3500K	1.03	0.88
4000K	1.06	0.91
FC Formula = CBCP / Distance ²		

20D 18°, TAMPER RESISTANT LENS	
WATTS: 37.3	LPW: 100.5
LUMENS: 3749	CCT: 3000K
INTENSITY	
DEGREE	CANDELA
0	20869
5	18885
15	3897
25	1547
35	719
45	5

25D 23°, TAMPER RESISTANT LENS	
WATTS: 37.3	LPW: 101.1
LUMENS: 3770	CCT: 3000K
INTENSITY	
DEGREE	CANDELA
0	15764
5	13627
15	4954
25	1688
35	668
45	3

35D 36°, TAMPER RESISTANT LENS	
WATTS: 37.3	LPW: 99.8
LUMENS: 3724	CCT: 3000K
INTENSITY	
DEGREE	CANDELA
0	8249
5	7690
15	5108
25	2364
35	781
45	17

alphabet

PROJECT INFORMATION		
JOB NAME		TYPE
ORDERING CODE		

PHOTOMETRIC DATA

20LM CCT MULTIPLIERS		
	80CRI	90CRI
2700K	0.96	0.81
3000K	1	0.85
3500K	1.03	0.88
4000K	1.06	0.91
FC Formula = CBCP / Distance ²		

50D 49°, TAMPER RESISTANT LENS															
<p>Throw Distance (ft) Beam Diameter (ft)</p> <p>6 81 5.5</p> <p>8 46 7.4</p> <p>10 29 9.2</p> <p>12 20 11</p> <p>14 15 12.9</p> <p>Illuminance at Center (fc)</p>	<p>WATTS: 17.2 LPW: 109.1</p> <p>LUMENS: 1876 CCT: 3000K</p> <p>INTENSITY</p> <table border="1"> <thead> <tr> <th>DEGREE</th> <th>CANDELA</th> </tr> </thead> <tbody> <tr><td>0</td><td>2928</td></tr> <tr><td>5</td><td>2908</td></tr> <tr><td>15</td><td>2346</td></tr> <tr><td>25</td><td>1432</td></tr> <tr><td>35</td><td>405</td></tr> <tr><td>45</td><td>11</td></tr> </tbody> </table>	DEGREE	CANDELA	0	2928	5	2908	15	2346	25	1432	35	405	45	11
DEGREE	CANDELA														
0	2928														
5	2908														
15	2346														
25	1432														
35	405														
45	11														

65D 65°, TAMPER RESISTANT LENS															
<p>Throw Distance (ft) Beam Diameter (ft)</p> <p>6 53 7.6</p> <p>8 30 10.1</p> <p>10 19 12.6</p> <p>12 13 15.2</p> <p>14 10 17.7</p> <p>Illuminance at Center (fc)</p>	<p>WATTS: 17.2 LPW: 108.8</p> <p>LUMENS: 1872 CCT: 3000K</p> <p>INTENSITY</p> <table border="1"> <thead> <tr> <th>DEGREE</th> <th>CANDELA</th> </tr> </thead> <tbody> <tr><td>0</td><td>1892</td></tr> <tr><td>5</td><td>1891</td></tr> <tr><td>15</td><td>1791</td></tr> <tr><td>25</td><td>1368</td></tr> <tr><td>35</td><td>701</td></tr> <tr><td>45</td><td>130</td></tr> </tbody> </table>	DEGREE	CANDELA	0	1892	5	1891	15	1791	25	1368	35	701	45	130
DEGREE	CANDELA														
0	1892														
5	1891														
15	1791														
25	1368														
35	701														
45	130														

40LM CCT MULTIPLIERS		
	80CRI	90CRI
2700K	0.96	0.81
3000K	1	0.85
3500K	1.03	0.88
4000K	1.06	0.91
FC Formula = CBCP / Distance ²		

50D 49°, TAMPER RESISTANT LENS															
<p>Throw Distance (ft) Beam Diameter (ft)</p> <p>6 162 5.5</p> <p>8 91 7.4</p> <p>10 58 9.2</p> <p>12 41 11</p> <p>14 30 12.9</p> <p>Illuminance at Center (fc)</p>	<p>WATTS: 37.3 LPW: 100.4</p> <p>LUMENS: 3744 CCT: 3000K</p> <p>INTENSITY</p> <table border="1"> <thead> <tr> <th>DEGREE</th> <th>CANDELA</th> </tr> </thead> <tbody> <tr><td>0</td><td>5842</td></tr> <tr><td>5</td><td>5802</td></tr> <tr><td>15</td><td>4680</td></tr> <tr><td>25</td><td>2857</td></tr> <tr><td>35</td><td>809</td></tr> <tr><td>45</td><td>22</td></tr> </tbody> </table>	DEGREE	CANDELA	0	5842	5	5802	15	4680	25	2857	35	809	45	22
DEGREE	CANDELA														
0	5842														
5	5802														
15	4680														
25	2857														
35	809														
45	22														

65D 65°, TAMPER RESISTANT LENS															
<p>Throw Distance (ft) Beam Diameter (ft)</p> <p>6 105 7.6</p> <p>8 59 10.1</p> <p>10 38 12.6</p> <p>12 26 15.2</p> <p>14 19 17.7</p> <p>Illuminance at Center (fc)</p>	<p>WATTS: 37.3 LPW: 100.1</p> <p>LUMENS: 3735 CCT: 3000K</p> <p>INTENSITY</p> <table border="1"> <thead> <tr> <th>DEGREE</th> <th>CANDELA</th> </tr> </thead> <tbody> <tr><td>0</td><td>3776</td></tr> <tr><td>5</td><td>3772</td></tr> <tr><td>15</td><td>3574</td></tr> <tr><td>25</td><td>2730</td></tr> <tr><td>35</td><td>1400</td></tr> <tr><td>45</td><td>259</td></tr> </tbody> </table>	DEGREE	CANDELA	0	3776	5	3772	15	3574	25	2730	35	1400	45	259
DEGREE	CANDELA														
0	3776														
5	3772														
15	3574														
25	2730														
35	1400														
45	259														

alphabet

PROJECT INFORMATION		
JOB NAME		TYPE
ORDERING CODE		

PHOTOMETRIC DATA

10LM CCT MULTIPLIERS		
	80CRI	90CRI
2700K	0.96	0.81
3000K	1	0.85
3500K	1.03	0.88
4000K	1.06	0.91
FC Formula = CBCP / Distance ²		

8D 7.8°, TAMPER RESISTANT LENS	
Throw Distance (ft)	Beam Diameter (ft)
6	0.8
8	1.1
10	1.4
12	1.6
14	1.9
Illuminance at Center (fc)	
519	
292	
187	
130	
95	
WATTS: 10.2	LPW: 71.7
LUMENS: 732	CCT: 3000K
INTENSITY	
DEGREE	CANDELA
0	18679
5	5982
15	339
25	265
35	157
45	0

12D 12°, TAMPER RESISTANT LENS	
Throw Distance (ft)	Beam Diameter (ft)
6	1.3
8	1.7
10	2.1
12	2.5
14	2.9
Illuminance at Center (fc)	
242	
136	
87	
60	
44	
WATTS: 10.2	LPW: 71.9
LUMENS: 733	CCT: 3000K
INTENSITY	
DEGREE	CANDELA
0	8696
5	5508
15	484
25	272
35	141
45	0

20LM CCT MULTIPLIERS		
	80CRI	90CRI
2700K	0.96	0.81
3000K	1	0.85
3500K	1.03	0.88
4000K	1.06	0.91
FC Formula = CBCP / Distance ²		

8D 7.8°, TAMPER RESISTANT LENS	
Throw Distance (ft)	Beam Diameter (ft)
6	0.8
8	1.1
10	1.4
12	1.6
14	1.9
Illuminance at Center (fc)	
1036	
583	
373	
259	
190	
WATTS: 23.2	LPW: 63
LUMENS: 1460	CCT: 3000K
INTENSITY	
DEGREE	CANDELA
0	37282
5	11940
15	678
25	529
35	314
45	1

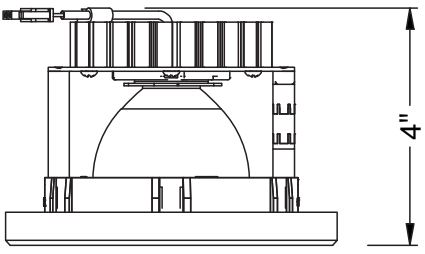
12D 12°, TAMPER RESISTANT LENS	
Throw Distance (ft)	Beam Diameter (ft)
6	1.3
8	1.7
10	2.1
12	2.5
14	2.9
Illuminance at Center (fc)	
472	
266	
170	
118	
87	
WATTS: 23.2	LPW: 61.8
LUMENS: 1434	CCT: 3000K
INTENSITY	
DEGREE	CANDELA
0	17008
5	10773
15	946
25	532
35	275
45	0

PROJECT INFORMATION		
JOB NAME		TYPE
ORDERING CODE		

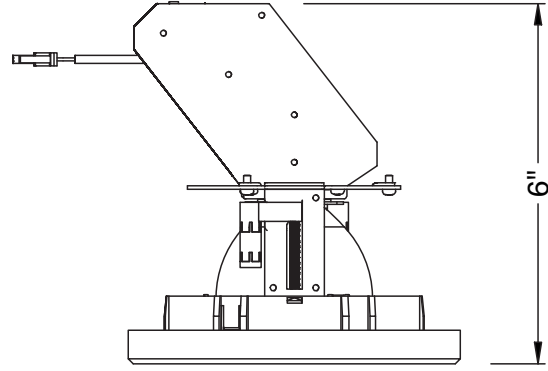
MOUNTING OPTIONS

FIXTURE HEIGHT

10LM - 30LM CONFIGURATIONS

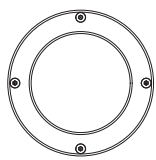
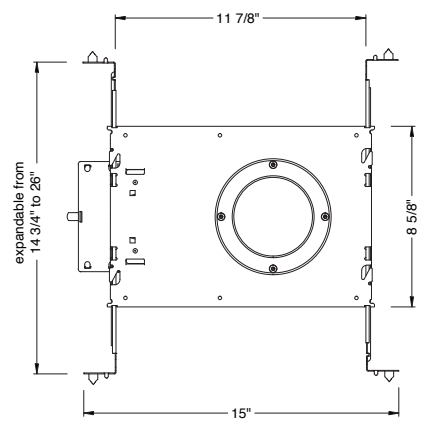
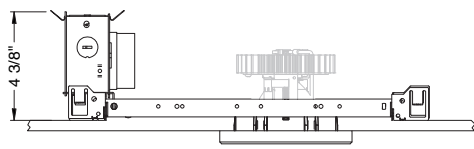


40LM CONFIGURATIONS

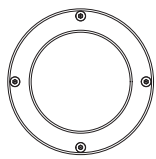
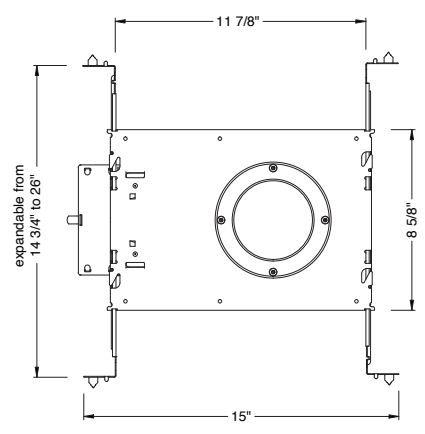
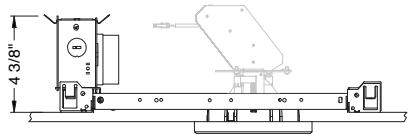
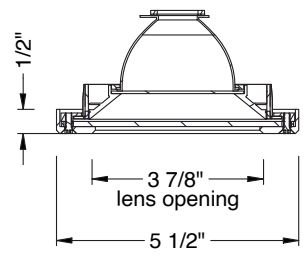


NC - NEW CONSTRUCTION

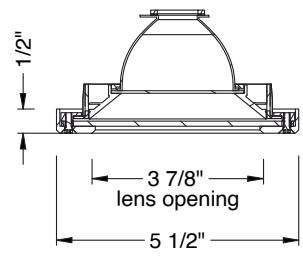
TAMPER RESISTANT



ceiling cutout
4-3/8 diameter
ceiling thickness
1/8" to 1-5/8"



ceiling cutout
4-3/8 diameter
ceiling thickness
1/8" to 1-5/8"



PROJECT INFORMATION		
JOB NAME		TYPE
ORDERING CODE		

BATTERY OPTIONS

EMERGENCY BATTERY

IOTA's ILB Battery Backups are UL Listed LED emergency drivers that allow the same LED fixture to be used for both normal and emergency operation. In the event of a power failure, the ILB switches to the emergency mode and operates the existing fixture for 90 minutes. The unit contains a battery, charger, and converter circuit in a single can. The Constant Power design of the ILB maintains the output wattage to the LED array even as the system voltage diminishes. UL 924 Listed for U.S. and Canada. UL 1310 Certified, Output Class 2 Compliant. Includes single-piece TBTS test switch and charge indicator accessory kit. For use with switched and unswitched electric fixtures, and includes Two-wire universal AC input. Meets or exceeds all National Electric Code and Life Safety Code Emergency Lighting Requirements. Rated for use in Plenum, Damp Location, Recessed Type IC, and Enclosed and Gasketed Luminares.

REMOTE TEST SWITCH

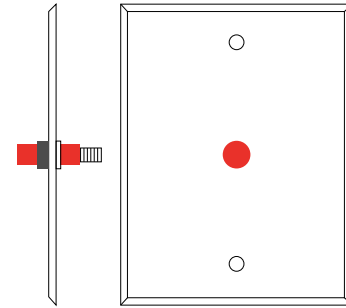
The Remote Test Switch may be mounted adjacent to the LED Fixture by others.

EMERGENCY BATTERY ACCESS

Above ceiling access is required for service. An access panel in the ceiling (or other form of access) adjacent to the installation location of the Emergency Battery is required.

REMOTE LOCATION

Maximum remote mounting distance of the emergency driver shall be 50 feet. Remote location wiring provided by others. Follow all Local and National Electric/ Building Codes.



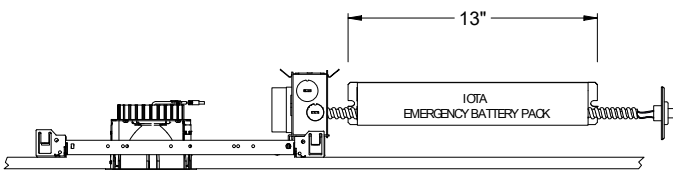
Remote Test Switch

EM MODE OUTPUT (DELIVERED LUMENS)

LUMEN ORDERING CODE	EM7	EM10	EM12
ALL OPTIONS (10LM TO 30LM)	820LM	1200LM	1480LM

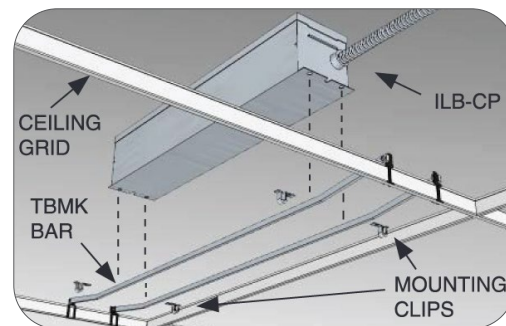
Notes: Based on 30K, 80CRI

NC - NEW CONSTRUCTION WITH EM BATTERY (REMOTE TEST SWITCH)



Accessory

76066 Optional T-Grid Mounting Kit¹



1. Can be used with any of the Emergency Battery Backups. Must be ordered as a separate line item.