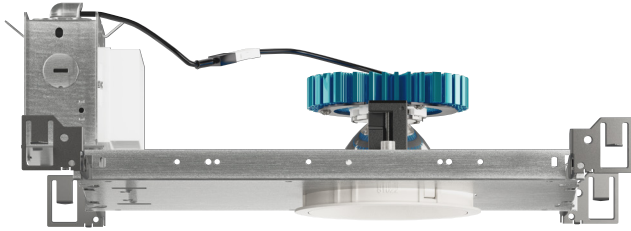


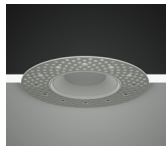
PROJECT INFORMATION		
JOB NAME		TYPE
ORDERING CODE		

## NU4

### 4" Round Downlight Hyperbolic



Trim



Trimless



Trimless Millwork

45° - 50° BEAM		
(Note: Specifications are subject to change without notice)		
14mm COB PERFORMANCE DATA		
LED LIGHT ENGINE	NOMINAL DELIVERED LUMENS	SYSTEM WATTAGE
10LM	800LM @30K/80CRI	9W
15LM	1210LM @30K/80CRI	12W
20LM	1700LM @30K/80CRI	17W
25LM	2060LM @30K/80CRI	21W
30LM	2500LM @30K/80CRI	26W
35LM	2910LM @30K/80CRI	31W
40LM	3390LM @30K/80CRI	37W
10LM	680LM @30K/90CRI	9W
15LM	1030LM @30K/90CRI	12W
20LM	1440LM @30K/90CRI	17W
25LM	1750LM @30K/90CRI	21W
30LM	2130LM @30K/90CRI	26W
35LM	2470LM @30K/90CRI	31W
40LM	2880LM @30K/90CRI	37W
Notes	Delivered lumens based on WHD50 optic, (see page 2)	



#### FEATURES

- 3/4" bezel regress with 1/16" micro flange
- 45° - 50° optical beam
- UGR < 19
- Up to 98 LPW
- Glare control, specialty optics, trim options, and custom finishes available
- Microban® antimicrobial finish available on all exposed painted surfaces

#### DIMMING AND CONTROLS

- eldoLED flicker free 0-10V dimming to 0% and 1%
- eldoLED flicker free DALI dimming to 0% and 1%
- DMX dim to zero
- Lutron Hi-lumen 2-Wire (Eco System) dimming to 0.1% and 1%
- Leading & trailing edge (Triac/ELV) dimming to 1%
- Casambi bluetooth dimming to 1.0%
- NLight control interface dimming to 0%

#### CONSTRUCTION

- Lexan™ (PC) highly resistant to impact and heat (240°F)
- Optimal material for wireless BLE signal connectivity
- Shatter proof acrylic bezel lens
- Electrocoated 16-gauge cold-rolled steel construction
- Accommodates ceiling thickness from 1/8" to 1-3/4"

#### LED

- 90 CRI: SDCM = 2-step MacAdam Ellipse, Lumen Maintenance: L<sub>70</sub> > 49,500 hrs
- 80 CRI: SDCM = 3-step MacAdam Ellipse, Lumen Maintenance: L<sub>70</sub> > 49,500 hrs

#### LISTING

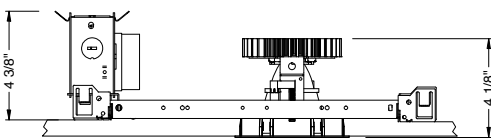
- ULus Listed to UL1598 & UL2108; cUL Listed to CSA C22.2 #250.0
- Suitable for dry and damp locations.
- 5 Year Limited warranty

#### ELECTRICAL

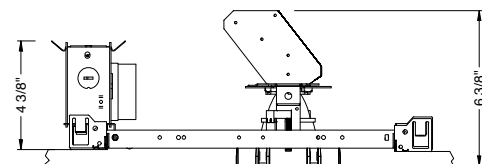
- 120V-277V, 120 only Triac / ELV
- Power factor ≥ 0.9
- 2kV driver input surge protection
- Remote emergency test switch
- 7W, 10W (T20 CEC) and 12W EM 90min battery
- Max. ambient installation temperature 95°F (35°C)

#### FIXTURE HEIGHT

##### 10LM - 30LM LOW LUMENS



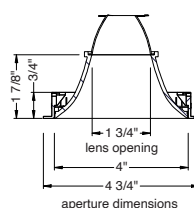
##### 35LM - 40LM HIGH LUMENS



#### TRIMMED

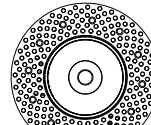


ceiling cutout  
4-1/2" diameter  
ceiling thickness  
1/8" to 1-5/8"

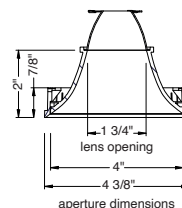


aperture dimensions

#### TRIMLESS



ceiling cutout  
4-1/2" diameter  
ceiling thickness  
3/8" to 1-3/4"

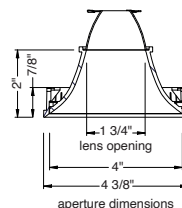


aperture dimensions

#### MILLWORK



ceiling cutout  
4-1/2" diameter  
ceiling thickness  
1/2" to 1-3/4"



aperture dimensions

# alphabet

PROJECT INFORMATION		
JOB NAME		TYPE
ORDERING CODE		

## 45° - 55° BEAM ORDERING CODE

SERIES	NU4											
TYPE	RH	round hyperbolic										
	RHT	round hyperbolic trimless										
	RHTMW	round hyperbolic trimless millwork										
LED	SW	standard white										
DELIVERED LUMENS	10LM	800 lm										
	13LM	1025 lm										
	15LM	1115 lm										
	20LM	1505 lm										
	25LM	1700 lm										
	30LM	2240 lm										
	35LM	2910 lm										
	40LM	2350 lm										
Standard Configuration: 3000K 80CRI												
Calculated Delivered Lumens = [Delivered Lumen Value] x [CCT Multiplier] x [Reflector Multiplier]												
CCT	27K	2700K	CCT		2700K		3000K		3500K		4000K	
	30K	3000K	CRI		80+	90+	80+	90+	80+	90+	80+	90+
	35K	3500K	CCT MULTIPLIER FOR LUMEN OUTPUT		0.96	0.81	1.00	0.85	1.03	0.88	1.06	0.91
	40K	4000K										
CRI	80	80 CRI										
	90	90 CRI										
OPTIC & LM MULTIPLIER SEE PAGE 4	BKD45	black hyperbolic cone with 45° diffused reflector, 80° cutoff angle										
	WHD50	white hyperbolic cone with 50° diffused reflector, 115° cutoff angle										
Antimicrobial finish, add <b>AM</b> to black or white i.e. BKAM.												
TRIM COLOR SEE PAGE 3	BK	black										
	WH	white										
	MC	matte chrome										
	BZ	bronze										
	WT	wheat										
	CC <sup>1</sup>	custom color, consult factory for details										
Antimicrobial finish, add <b>AM</b> to black, white or matte chrome i.e. BKAM.												
Not applicable to trimless option. Do not include in trimless ordering code.												

## 45° - 55° BEAM ORDERING CODE

MOUNTING OPTIONS SEE PAGE 5, 6	NC	new construction with ceiling fitting plate
	IC <sup>2</sup>	insulation contact housing
	ICAT <sup>2</sup>	insulation contact/airtight housing
	CP <sup>2</sup>	chicago plenum housing
	RET	retrofit, no ceiling fitting plate
VOLTAGE	120	120V
	UNV	120V-277V
DIMMING	DIM10	eldoLED flicker free 0-10V dimming to 1%
	DIM10Z	eldoLED flicker free 0-10V dimming to 0%
	DALI	eldoLED flicker free DALI dimming to 1%
	DALIZ	eldoLED flicker free DALI dimming to 0%
	DMX-RJ45	DMX control dimming to 0.1% with RJ45 connection
	DMX-WL	DMX control dimming to 0.1% with wire lead connection
	DMX-XLR	DMX control dimming to 0.1% with XLR 5pin connection
	LUT	Lutron Hi-lume Ecosystem dimming to 1%, Soft-on & Fade-to-Black
ELECTRICAL OPTIONS	LUTP <sup>3</sup>	Lutron Hi-lume Premier Ecosystem dimming to 0.1%, Soft-on & Fade-to-Black
	ELV1 <sup>4</sup>	leading & trailing edge (Triac/ELV) dimming to 1%
	EM7	emergency battery backup, 90 minutes at 7W to LED
	EM12	emergency battery backup, 90 minutes at 12W to LED
	EM10CA20	remote emergency battery backup, 90 minutes at 10W to LED, CA title 20

## ADDITIONAL MOUNTING INFO

New Construction Bar Hangers (included)	Mounting Length: 14-3/4" to 26"
Extension Kit p/n: K20266 (ordered separately, 1 per fixture)	Extends a pair of Bar Hangers Total Mounting Length: 29" to 48"

## YOUR COMPLETED ORDERING CODE

Follow the steps to specify your fixture, example:
<b>NU4 - RH - SW - 20LM - 30K - 90 - WHD50 - UNV - DIM10 - NC - WH - EM7</b>

## NOTES

1. Custom set up fee plus minimum quantity required per color.
2. IC/ICAT/CP not available in 40LM.
3. LUTP not available in 25LM/30LM/40LM.
4. ELV1 (120V) not available in 10LM.

\* EldoLED and DMX Driver uses logarithmic dimming curve as standard. For linear dimming curve add "LIN" after dimming code, i.e. DIM10LIN.

# alphabet

PROJECT INFORMATION		
JOB NAME		TYPE
ORDERING CODE		

## TRIM OPTIONS

### TRIM/BEZEL COLORS



## OPTICAL OPTIONS

- UGR calculation based on CIE 117-1995; room size: 4H X 8H, reflectance: 70/50/20;
- UGR calculation based on 15LM fixtures, unless otherwise noted.

### NL

No Lens



OPTIC	BEAM ANGLE	UGR
WHD50	51	17.1
BKD45	43	11.6

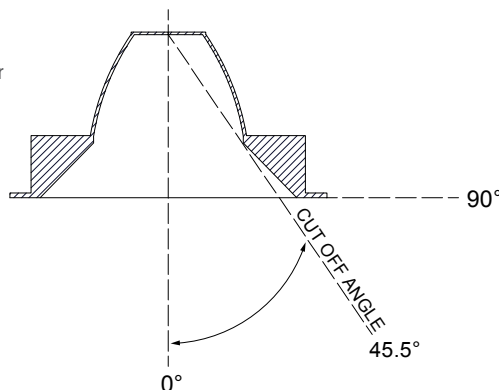
## GLARE CONTROL

### CUT-OFF ANGLE

Visual comfort is achieved with a lower cut-off angle due to improved glare control. The smaller the cut-off angle, the easier it is on the eye.

Alphabet downlights have been thoughtfully engineered to eliminate glare while still delivering functional illumination.

- Cutoff angle of NL and CL is 45.5 degrees;



# alphabet

PROJECT INFORMATION		
JOB NAME		TYPE
ORDERING CODE		

## PHOTOMETRIC DATA

20LM CCT MULTIPLIERS		
	80CRI	90CRI
2700K	0.96	0.81
3000K	1	0.85
3500K	1.03	0.88
4000K	1.06	0.91
FC Formula = CBCP / Distance <sup>2</sup>		

**BKD45  
BLACK HYPERBOLIC CONE, 43°**

WATTS:: 17.2	LPW:: 98.7
LUMENS: 1697	CCT:: 3000K
INTENSITY	
DEGREE	CANDELA
0	3416
5	3303
15	2483
25	1215
35	235
45	2

**WHD50  
WHITE HYPERBOLIC CONE, 51°**

WATTS:: 17.2	LPW:: 94.7
LUMENS: 1629	CCT:: 3000K
INTENSITY	
DEGREE	CANDELA
0	2238
5	2183
15	1823
25	1166
35	339
45	106

40LM CCT MULTIPLIERS		
	80CRI	90CRI
2700K	0.96	0.81
3000K	1	0.85
3500K	1.03	0.88
4000K	1.06	0.91
FC Formula = CBCP / Distance <sup>2</sup>		

**BKD45  
BLACK HYPERBOLIC CONE, 43°**

WATTS:: 37	LPW:: 91.5
LUMENS: 3386	CCT:: 3000K
INTENSITY	
DEGREE	CANDELA
0	6815
5	6591
15	4953
25	2424
35	469
45	4

**WHD50  
WHITE HYPERBOLIC CONE, 51°**

WATTS:: 37	LPW:: 87.8
LUMENS: 3250	CCT:: 3000K
INTENSITY	
DEGREE	CANDELA
0	4466
5	4355
15	3637
25	2327
35	676
45	212

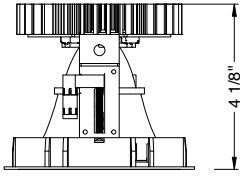
# alphabet

PROJECT INFORMATION		
JOB NAME		TYPE
ORDERING CODE		

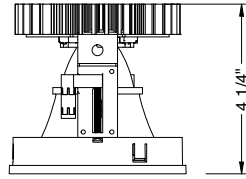
## MOUNTING OPTIONS

### FIXTURE HEIGHT

10LM - 30LM LOW LUMENS

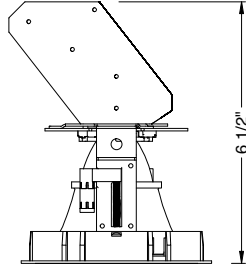


TRIMMED

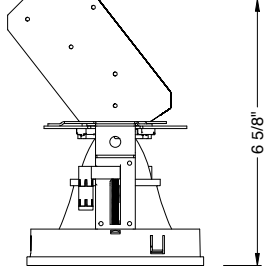


TRIMLESS & MILLWORK

35LM - 40LM HIGH LUMENS



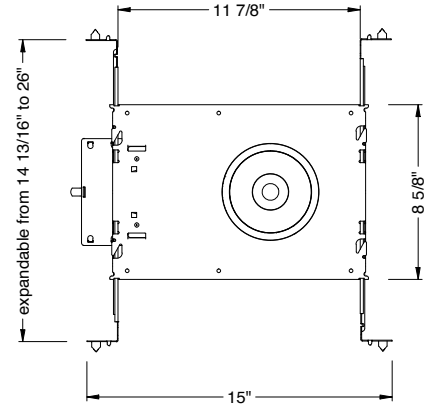
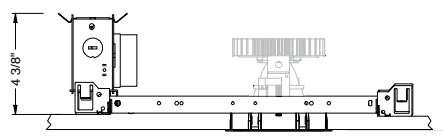
TRIMMED



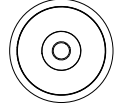
TRIMLESS & MILLWORK

### NC - NEW CONSTRUCTION

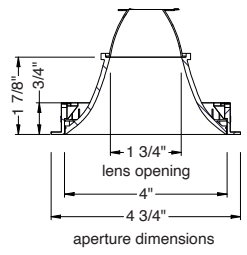
#### TRIM



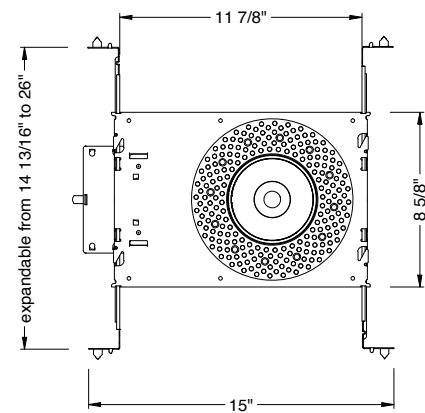
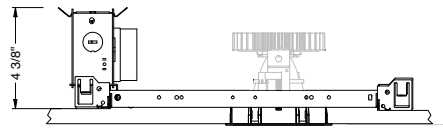
#### TRIM



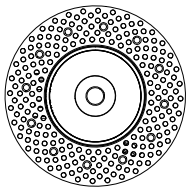
ceiling cutout  
4-1/2" diameter  
ceiling thickness  
1/8" to 1-5/8"



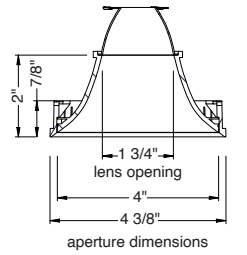
#### TRIMLESS



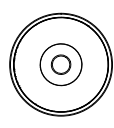
#### TRIMLESS



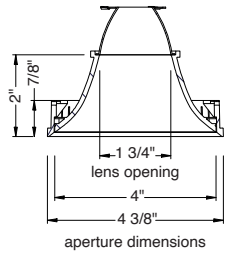
ceiling cutout  
4-1/2" diameter  
ceiling thickness  
3/8" to 1-3/4"



#### TRIMLESS/MILLWORK



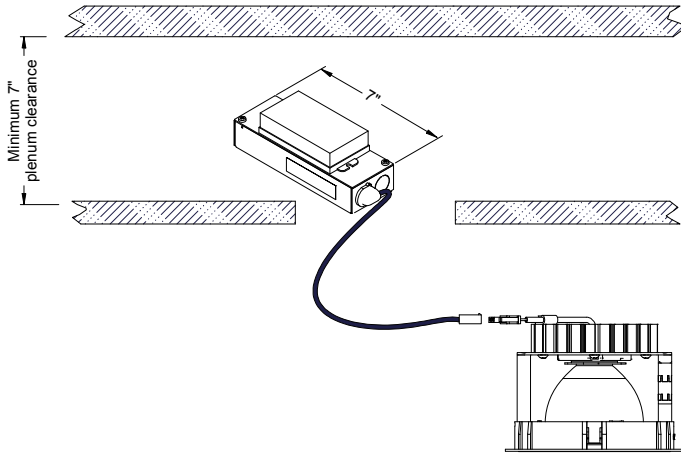
ceiling cutout  
4-1/2" diameter  
ceiling thickness  
1/2" to 1-3/4"



PROJECT INFORMATION		
JOB NAME		TYPE
ORDERING CODE		

## MOUNTING OPTIONS

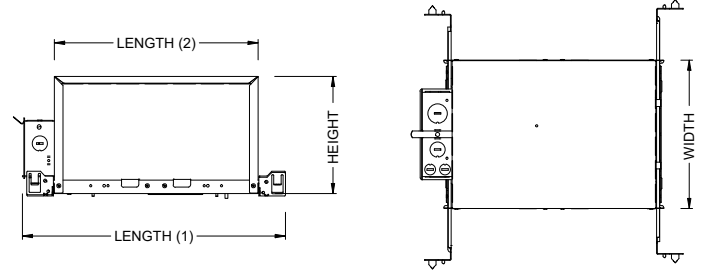
### RET - RETRO TRIM/TRIMLESS



RATINGS / CERTIFICATIONS	NC	RET	IC	ICAT	CP
TYPE NON-IC	✓	✓			
TYPE IC			✓	✓	✓
CHICAGO PLENUM (CCEA)					✓
SUITABLE FOR AIR HANDLING PLENUMS				✓	✓
REDUCED AIRFLOW (WITH LENS) ASTM E283	✓	✓	✓	✓	✓

CEILING THICKNESS	
FIXTURE TYPE	MOUNTING TYPE
	STANDARD CEILING THICKNESS
TRIM	1/8" to 1-5/8"
TRIMLESS	3/8" to 1-3/4"
MILLWORK (TRIMLESS)	1/2" to 1-3/4"

### IC - INSULATION CONTACT HOUSING ICAT - INSULATION CONTACT / AIR TIGHT CP - CHICAGO PLENUM



BOX SIZE	L 1	L 2	W	H
A	15 - 7/16"	11 - 3/4"	8 - 1/2"	6 - 3/4"
B	18 - 1/4"	14 - 7/8"	12 - 1/8"	11 - 1/4"

BOX TYPE / LUMEN OUTPUT - NARROW BEAM (45°-55°)			
LUMEN OUTPUT	BOX - A		
	CP	IC	ICAT
10LM	✓	✓	✓
15LM	✓	✓	✓
25LM	✓	✓	✓

BOX TYPE / LUMEN OUTPUT - NARROW BEAM (45°-55°)			
LUMEN OUTPUT	BOX - B		
	CP	IC	ICAT
30LM	✓	✓	✓
35LM	✓	✓	✓

BOX TYPE / LUMEN OUTPUT - NARROW BEAM (8°-12°)			
LUMEN OUTPUT	BOX - A		
	CP	IC	ICAT
10LM	✓		

PROJECT INFORMATION		
JOB NAME		TYPE
ORDERING CODE		

## BATTERY OPTIONS

### EMERGENCY BATTERY

IOTA's ILB Battery Backups are UL Listed LED emergency drivers that allow the same LED fixture to be used for both normal and emergency operation. In the event of a power failure, the ILB switches to the emergency mode and operates the existing fixture for 90 minutes. The unit contains a battery, charger, and converter circuit in a single can. The Constant Power design of the ILB maintains the output wattage to the LED array even as the system voltage diminishes. UL 924 Listed for U.S. and Canada. UL 1310 Certified, Output Class 2 Compliant. Includes single-piece TBTS test switch and charge indicator accessory kit. For use with switched and unswitched fixtures, and includes Two-wire universal AC input. Meets or exceeds all National Electric Code and Life Safety Code Emergency Lighting Requirements. Rated for use in Plenum, Damp Location, Recessed Type IC, and Enclosed and Gasketed Luminaires.

### REMOTE TEST SWITCH

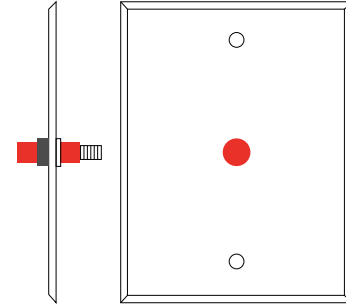
The Remote Test Switch may be mounted adjacent to the LED Fixture by others.

### EMERGENCY BATTERY ACCESS

Above ceiling access is recommended for ease of service, but LED Fixture Sizes of 4" and Larger are capable of below ceiling access. IC/ICAT/CP Box and ITS option require an access panel in the ceiling (or other form of access) adjacent to the installation location of the Emergency Battery.

### REMOTE LOCATION

Maximum remote mounting distance of the emergency driver shall be 50 feet. Remote location wiring provided by others. Follow all Local and National Electric/Building Codes.

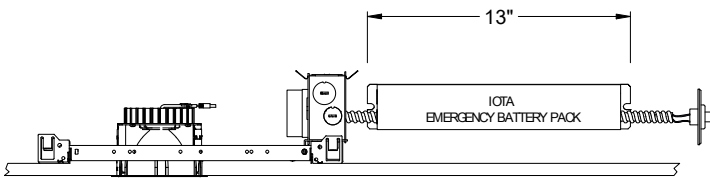


Remote Test Switch

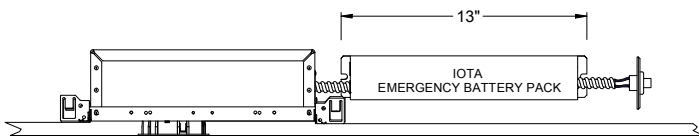
### EM MODE OUTPUT (DELIVERED LUMENS)

LUMEN ORDERING CODE	EM7	EM10	EM12
ALL OPTIONS ( 10LM TO 30 LM )	700	900	1210
Notes			

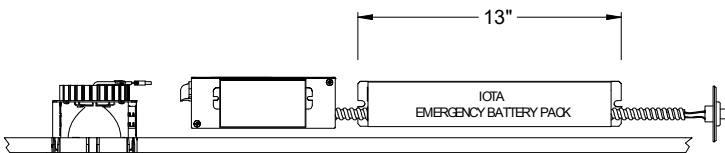
### NC - NEW CONSTRUCTION WITH EM BATTERY (REMOTE TEST SWITCH)



### IC / ICAT / CP - INSULATION CONTACT HOUSING WITH EM BATTERY (REMOTE TEST SWITCH)

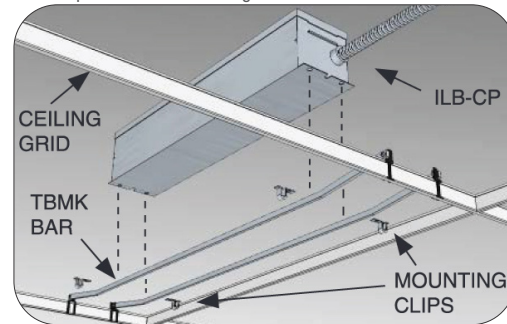


### RET - RETROFIT WITH EM BATTERY (REMOTE TEST SWITCH)



### Accessory

#### 76066 Optional T-Grid Mounting Kit<sup>1</sup>



1. Can be used with any of the Emergency Battery Backups. Must be ordered as a separate line item.