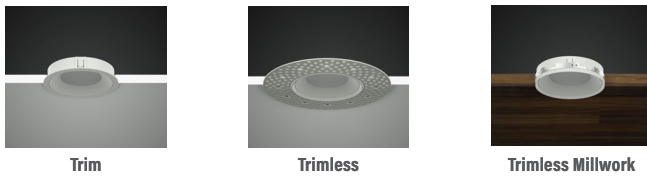
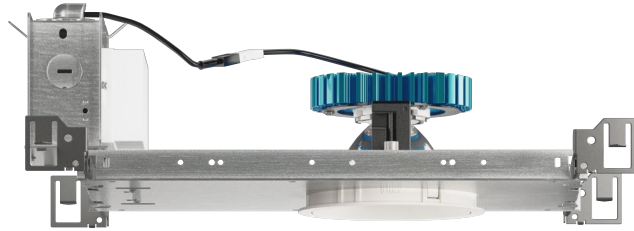


| PROJECT INFORMATION | | |
|---------------------|--|------|
| JOB NAME | | TYPE |
| ORDERING CODE | | |

NU4

4" Round Downlight XICATO



| 20° -65° BEAM | | |
|---|--|----------------|
| (Note: Specifications are subject to change without notice) | | |
| 19mm COB PERFORMANCE DATA | | |
| LED LIGHT ENGINE | NOMINAL DELIVERED LUMENS | SYSTEM WATTAGE |
| 10LM | 920LM @30K/83CRI | 10W |
| 15LM | 1420LM @30K/83CRI | 16W |
| 20LM | 1740LM @30K/83CRI | 20W |
| 25LM | 2450LM @30K/83CRI | 28W |
| 30LM | 2910LM @30K/83CRI | 34W |
| 35LM | 3540LM @30K/83CRI | 42W |
| 40LM | 3810LM @30K/83CRI | 45W |
| 10LM | 980LM @30K/98CRI | 14W |
| 15LM | 1500LM @30K/98CRI | 21W |
| 20LM | 1800LM @30K/98CRI | 27W |
| 25LM | 2430LM @30K/98CRI | 36W |
| Notes | Delivered lumens based on 20D optic with no lens, (see page 2) | |

| 12° BEAM | | |
|---|--|----------------|
| (Note: Specifications are subject to change without notice) | | |
| 9mm COB PERFORMANCE DATA | | |
| LED LIGHT ENGINE | NOMINAL DELIVERED LUMENS | SYSTEM WATTAGE |
| 10LM | 1030LM @30K/83CRI | 17W |
| 15LM | 1550LM @30K/83CRI | 28W |
| 20LM | 2060LM @30K/83CRI | 38W |
| 10LM | 1070LM @30K/98CRI | 24W |
| 15LM | 1430LM @30K/98CRI | 37W |
| Notes | Delivered lumens based on 12D optic with no lens, (see page 2) | |



FEATURES

- 3/4" bezel regress with 1/16" micro flange
- 12° - 65° optical beam control
- UGR < 19
- Up to 90 LPW
- Glare control, specialty optics, trim options, and custom finishes available
- Microban® antimicrobial finish available on all exposed painted surfaces

LED

- SDCM = 1X2 MacAdam Ellipse, Duv +/- 0.001, Lumen Maintenance: L₉₀ > 55,000 hrs

DIMMING AND CONTROLS

- eldoLED flicker free 0-10V dimming to 0% and 1%
- eldoLED flicker free DALI dimming to 0% and 1%
- DMX dim to zero
- Lutron Hi-lumen 2-Wire (Eco System) dimming to 0.1% and 1%
- Leading & trailing edge (Triac/ELV) dimming to 1%
- Casambi bluetooth dimming to 1%

LISTING

- ULus Listed to UL1598 & UL2108; cUL Listed to CSA C22.2 #250.0
- IP65 with lens - Suitable for wet locations with lens - Suitable for damp locations without lens
- Non-conductive, dead-front construction (shower approved)
- NSF/ANSI-2 with lens (Non-Food and Splash Zones)
- 5 Year Limited warranty

CONSTRUCTION

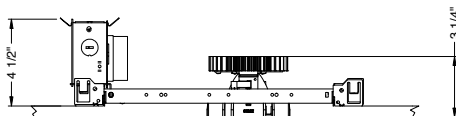
- Lexan™ (PC) highly resistant to impact and heat (240°F)
- Optimal material for wireless BLE signal connectivity
- Shatter proof acrylic bezel lens
- Electrocoated 16-gauge cold-rolled steel construction
- Accommodates ceiling thickness from 1/8" to 1-3/4"

ELECTRICAL

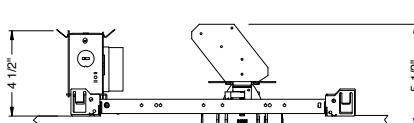
- 120V-277V, 120 only Triac / ELV
- Power factory ≥ 0.9
- 2kV driver input surge protection
- Remote and Integral (ITS) emergency test switch
- 7W, 10W (T20 CEC) and 12W EM 90min battery
- Max. ambient installation temperature 95°F (35°C)

FIXTURE HEIGHT

10LM - 30LM LOW LUMENS



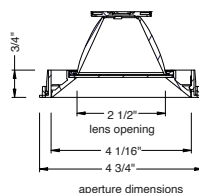
35LM - 40LM HIGH LUMENS



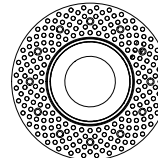
TRIMMED



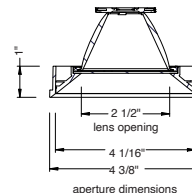
ceiling cutout
4-1/2" diameter
ceiling thickness
1/8" to 1 5/8"



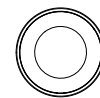
TRIMLESS



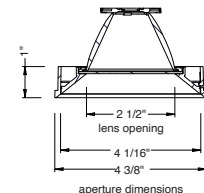
ceiling cutout
4-1/2" diameter
ceiling thickness
1/8" to 1 3/4"



MILLWORK



ceiling cutout
4-3/8" diameter
ceiling thickness
1/2" to 1 3/4"



alphabet

| PROJECT INFORMATION | | |
|---------------------|--|------|
| JOB NAME | | TYPE |
| ORDERING CODE | | |

| XICATO XTM MODULE - ORDERING CODE | | |
|--|--|--|
| SERIES | NU4 | NU4 |
| TYPE | RD | round downlight |
| | RDT | round downlight trimless |
| | RDTMW | round downlight trimless millwork |
| LED | XTM19 | XICATO XTM 19mm |
| DELIVERED LUMENS | 10LM | 918 lm |
| | 15LM | 1530 lm |
| | 20LM | 1730 lm |
| | 25LM | 2380 lm |
| | 30LM | 2905 lm |
| | 35LM | 3540 lm |
| | 40LM | 3780 lm |
| | Standard Configuration: 3000K 80CRI 20D, NL Calculated Delivered Lumens = [Delivered Lumen Value] x [CCT Multiplier] | |
| CCT | 27K | 2700K |
| | 30K | 3000K |
| | 35K | 3500K |
| | 40K | 4000K |
| CRI | 83 | 83 CRI |
| | 98^{1,2} | 98 CRI |
| OPTIC & LM MULTIPLIER SEE PAGE 4 | 12D³ | 12 degrees |
| | 20D | 20 degrees |
| | 25D | 25 degrees |
| | 40D | 40 degrees |
| | 65D | 65 degrees |
| BEZEL LENS SEE PAGE 3 | NL⁴ | no lens (1.00) |
| | CL | clear lens (0.98) |
| | DL | diffused lens (0.91) |
| | HET | high efficiency textured lens, similar to Solite™ (0.92) |
| | SBL | smoothing beam lens (0.92) |
| | E⁵ | elliptical beam spread (0.92) |
| | HCL⁶ | honeycomb louver (0.85) |
| Color lenses (amber, blue, green, red) see page 4. | | |
| TRIM COLOR SEE PAGE 3 | BK | black |
| | WH | white |
| | MC | matte chrome |
| | BZ | bronze |
| | WT | wheat |
| | CC⁷ | custom color, consult factory for details |
| | Antimicrobial finish, add AM to black, white or matte chrome i.e. BKAM. Not applicable to trimless option. Do not include in trimless ordering code. | |
| BEZEL COLOR SEE PAGE 3 | BK | black (0.98) |
| | WH | white (1.00) |
| | MC | matte chrome (0.99) |
| | BZ | bronze (0.98) |
| | WT | wheat (0.99) |
| | CC⁷ | custom color, consult factory for details |
| | Antimicrobial finish, add AM to black, white or matte chrome i.e. BKAM. | |

| XICATO XTM MODULE - ORDERING CODE | | |
|--|------------------------------|---|
| MOUNTING OPTIONS SEE PAGE 7, 8 | NC | new construction with ceiling fitting plate |
| | IC^{8,9} | insulation contact housing |
| | ICAT^{8,9} | insulation contact/airtight housing |
| | CP^{8,9} | chicago plenum housing |
| | RET | retrofit, no ceiling fitting plate |
| VOLTAGE | I20 | 120V |
| | UNV | 120V-277V |
| DIMMING | DIM10 | eldoLED flicker free 0-10V dimming to 1% |
| | DIM10Z | eldoLED flicker free 0-10V dimming to 0% |
| | DALI | eldoLED flicker free DALI 2 dimming to 1% |
| | DALIZ | eldoLED flicker free DALI 2 dimming to 0% |
| | DMX-RJ45 | DMX control dimming to 0.1% with RJ45 connection |
| | DMX-WL | DMX control dimming to 0.1% with wire lead connection |
| | DMX-XLR | DMX control dimming to 0.1% with XLR 5pin connection |
| | LUT | Lutron Hi-lume Ecosystem dimming to 1%, Soft-on & Fade-to-Black |
| | LUTP¹⁰ | Lutron Hi-lume Premier Ecosystem dimming to 0.1%, Soft-on & Fade-to-Black |
| | ELV1¹¹ | leading & trailing edge (Triac/ELV) dimming to 1% |
| | CAS | Casambi Bluetooth control with flicker free 1% dimming |
| ELECTRICAL OPTIONS | EM7¹² | emergency battery backup, 90 minutes at 7W to LED |
| | EM12¹² | emergency battery backup, 90 minutes at 12W to LED |
| | EM10CA20¹² | emergency battery backup, 90 minutes at 10W to LED, CA title 20 |

| ADDITIONAL MOUNTING INFO | |
|---|---|
| New Construction Bar Hangers (included) | Mounting Length: 14-3/4" to 26" |
| Extension Kit p/n: K20266 (ordered separately, 1 per fixture) | Extends a pair of Bar Hangers Total Mounting Length: 29" to 48" |

| YOUR COMPLETED ORDERING CODE |
|---|
| Follow the steps to specify your fixture, example: |
| NU4 - RD - XTM - 10LM - 30K - 83 - 20D - CL - WH - WH - NC - UNV - DIM10 - EM7 |

NOTES

- 98CRI not available in 30LM/35LM/40LM.
- 98CRI not available in 20LM with 12D.
- 12D available in 10LM/15LM/20LM.
- NL option does not meet requirements for AT/DF/WET/NSF listings. Lensing cannot be added in the field.
- Elliptical lens not available with 12D optic options. Actual beam distributions [20D= 35° x 60°, 25D= 40° x 65°, 35D= 45° x 70°, 55D= 55° x 80°]
- HCL not available with lens.
- Custom set up fee plus minimum quantity required per color.
- IC/ICAT/CP not available for 98CRI in 30LM or 80/98CRI in 40LM.
- IC/ICAT/CP 12D available in 10LM/15LM
- LUTP not available in 20LM, 30LM, or 40LM.
- ELV1 (120V) not available in 10LM.
- For integrated test switch add "ITS" after emergency backup code, i.e. EM12ITS. Test switch is mounted in the bezel of the fixture.

* EldoLED and DMX uses logarithmic dimming curve as standard. For linear dimming curve, add "LIN" after dimming code, i.e. DIM10LIN.

alphabet

| PROJECT INFORMATION | | |
|---------------------|--|------|
| JOB NAME | | TYPE |
| ORDERING CODE | | |

TRIM OPTIONS

TRIM/BEZEL COLORS

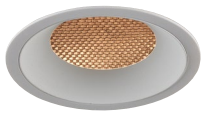


OPTICAL OPTIONS

- UGR calculation based on CIE 117-1995; room size: 4H X 8H, reflectance: 70/50/20;
- UGR calculation based on 15LM fixtures, unless otherwise noted.

HCL

Honeycomb Louver



| OPTIC | BEAM ANGLE | UGR |
|-------|------------|------|
| 12D | 12 | 10.5 |
| 20D | 21 | 10 |
| 25D | 23 | 10.2 |
| 40D | 33 | 12.3 |
| 55D | 49 | 15.2 |
| 65D | 56 | 15.9 |

NL

No Lens



| OPTIC | BEAM ANGLE | UGR |
|-------|------------|------|
| 12D | 12 | 14.5 |
| 20D | 21.7 | 13.8 |
| 25D | 24.9 | 13.6 |
| 40D | 38 | 15.5 |
| 55D | 55.1 | 17.5 |
| 65D | 67.8 | 19.3 |

CL

Clear Lens



| OPTIC | BEAM ANGLE | UGR |
|-------|------------|------|
| 12D | 12 | 14.4 |
| 20D | 22 | 13.6 |
| 25D | 25 | 13.4 |
| 40D | 38 | 15.3 |
| 55D | 55 | 17.3 |
| 65D | 68 | 19.2 |

DL

Diffused Lens



| OPTIC | BEAM ANGLE | UGR |
|-------|------------|------|
| 20D | 41 | 19.8 |
| 25D | 45 | 20.2 |
| 40D | 53 | 21.3 |
| 55D | 61 | 21.8 |
| 65D | 70 | 23.5 |

HET

High Efficiency Textured Lens



| OPTIC | BEAM ANGLE | UGR |
|-------|------------|------|
| 12D | 17 | 13.5 |
| 20D | 25 | 14.3 |
| 25D | 29 | 14.7 |
| 40D | 41 | 16.6 |
| 55D | 57 | 17.5 |
| 65D | 64 | 20.1 |

SBL

Smoothing Beam Lens



| OPTIC | BEAM ANGLE | UGR |
|-------|------------|------|
| 12D | 13 | 13.6 |
| 20D | 22 | 13.5 |
| 25D | 27 | 13.9 |
| 40D | 39 | 15.6 |
| 55D | 59 | 16.5 |
| 65D | 65 | 19.3 |

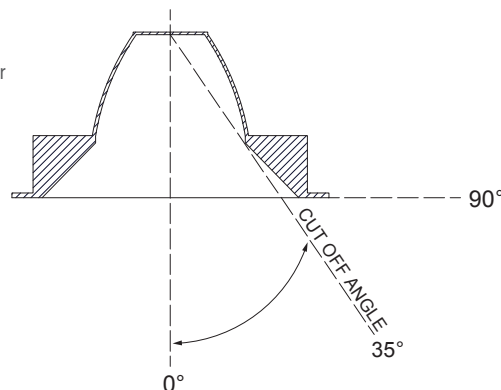
GLARE CONTROL

CUT-OFF ANGLE

Visual comfort is achieved with a lower cut-off angle due to improved glare control. The smaller the cut-off angle, the easier it is on the eye.

Alphabet downlights have been thoughtfully engineered to eliminate glare while still delivering functional illumination.

- Cutoff angle of CL is 35 degrees;

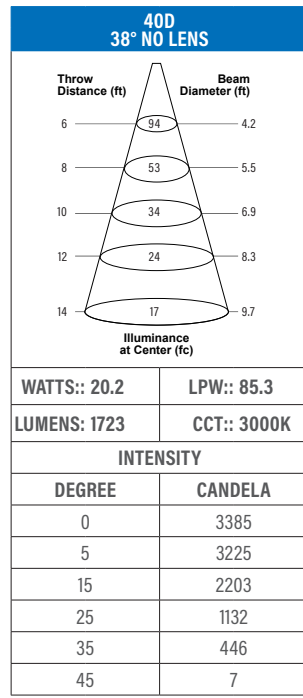
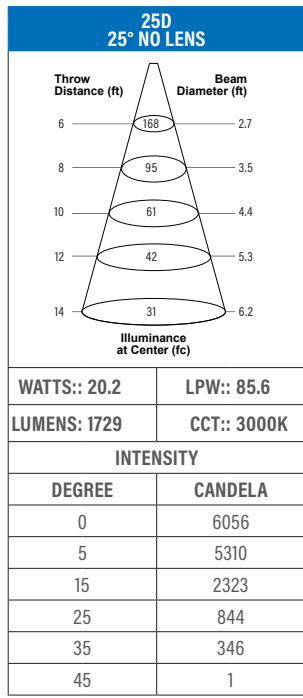
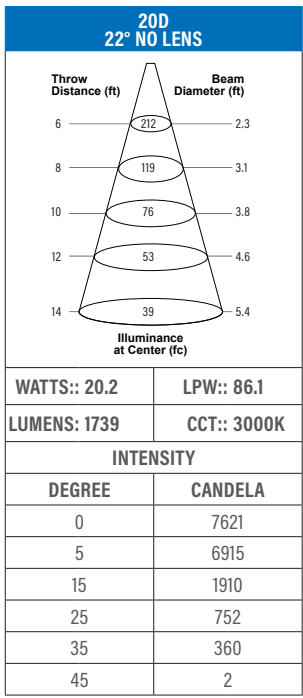


alphabet

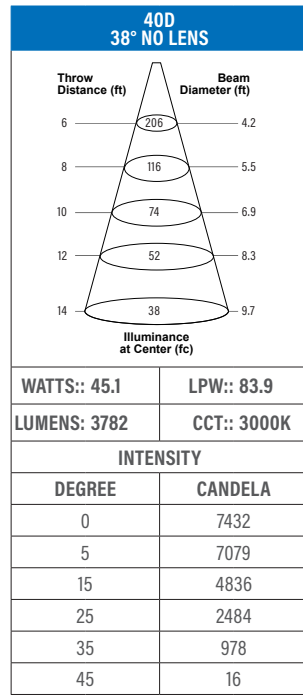
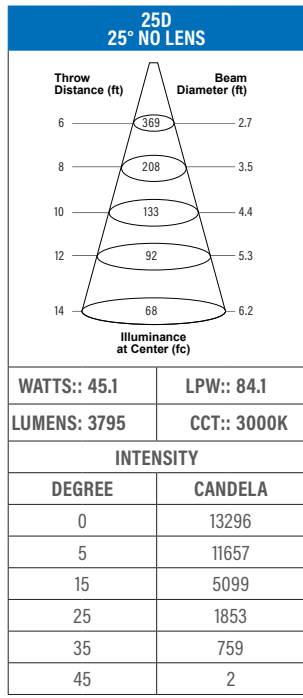
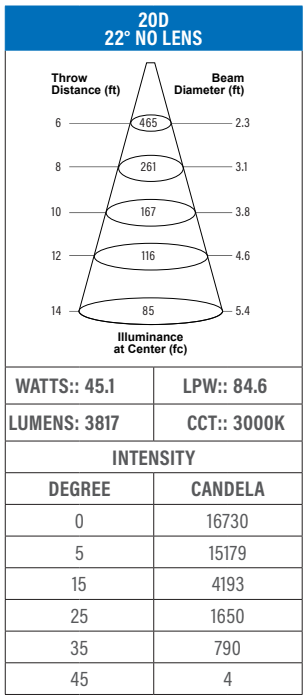
| PROJECT INFORMATION | | |
|---------------------|--|------|
| JOB NAME | | TYPE |
| ORDERING CODE | | |

PHOTOMETRIC DATA

20LM



40LM

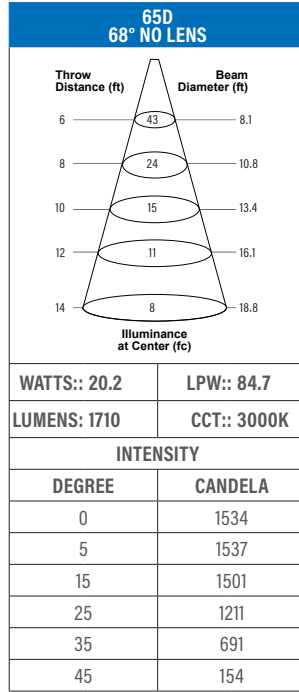
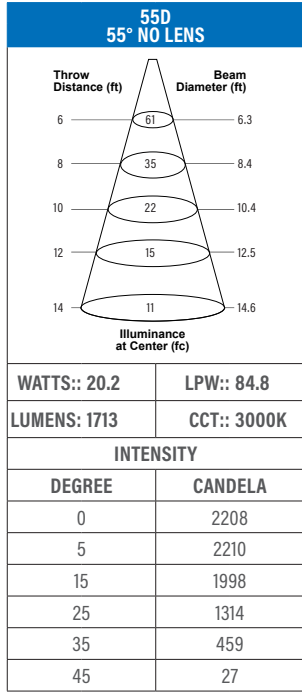


alphabet

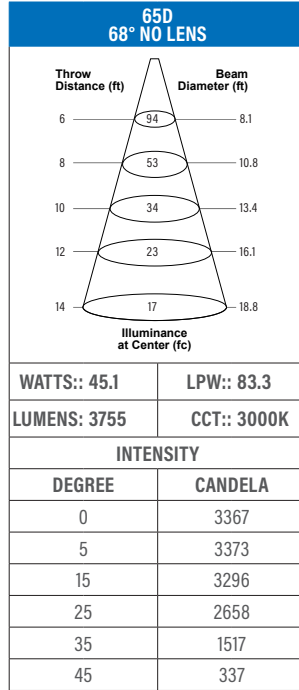
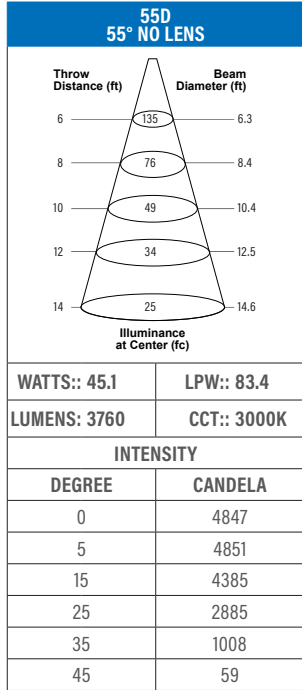
| PROJECT INFORMATION | | |
|---------------------|--|------|
| JOB NAME | | TYPE |
| ORDERING CODE | | |

PHOTOMETRIC DATA

20LM



40LM

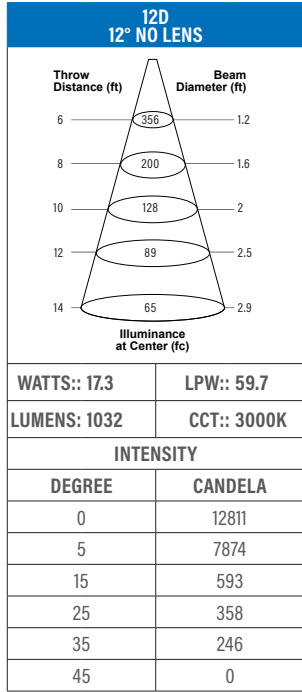


alphabet

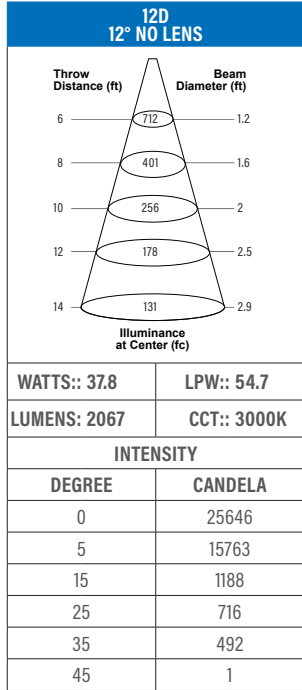
| PROJECT INFORMATION | | |
|---------------------|--|------|
| JOB NAME | | TYPE |
| ORDERING CODE | | |

PHOTOMETRIC DATA

10LM



20LM



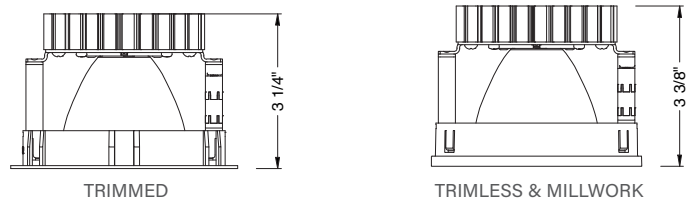
alphabet

| PROJECT INFORMATION | | |
|---------------------|------|--|
| JOB NAME | TYPE | |
| ORDERING CODE | | |

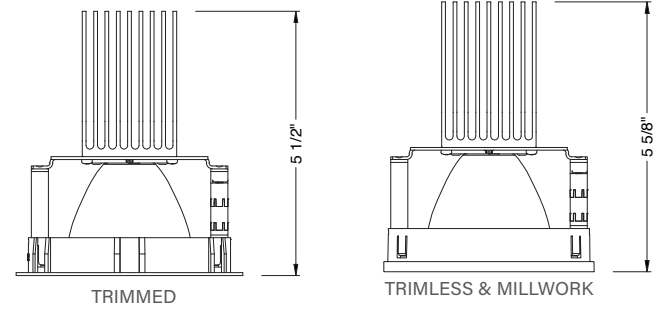
MOUNTING OPTIONS

FIXTURE HEIGHT

10LM - 30LM LOW LUMENS

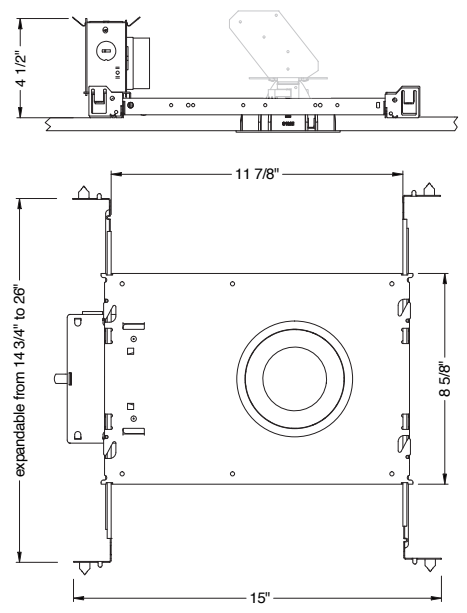


35LM - 40LM HIGH LUMENS

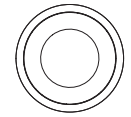


NC - NEW CONSTRUCTION

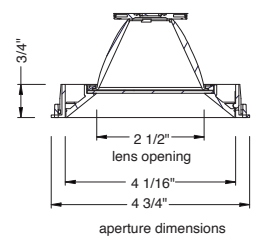
TRIM



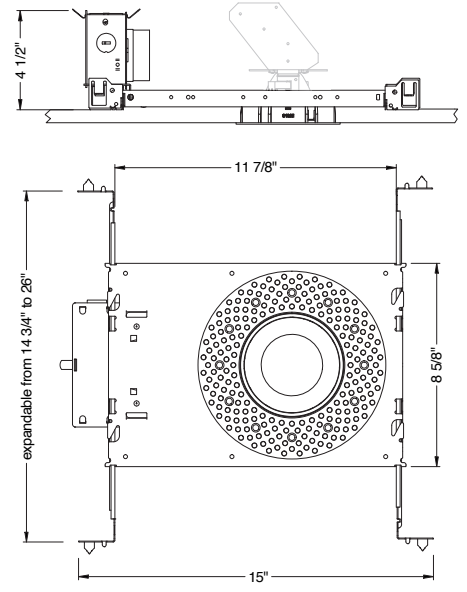
TRIM



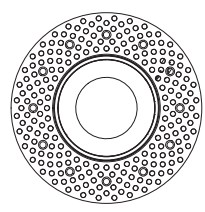
ceiling cutout
4-1/2" diameter
ceiling thickness
1/8" to 1 5/8"



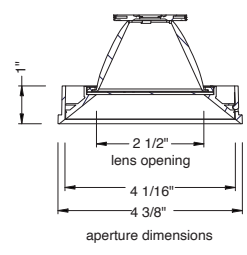
TRIMLESS



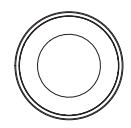
TRIMLESS



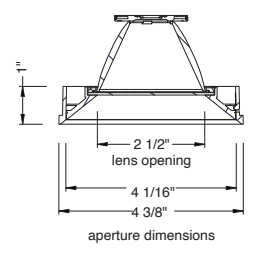
ceiling cutout
4-1/2" diameter
ceiling thickness
1/8" to 1 3/4"



TRIMLESS/MILLWORK



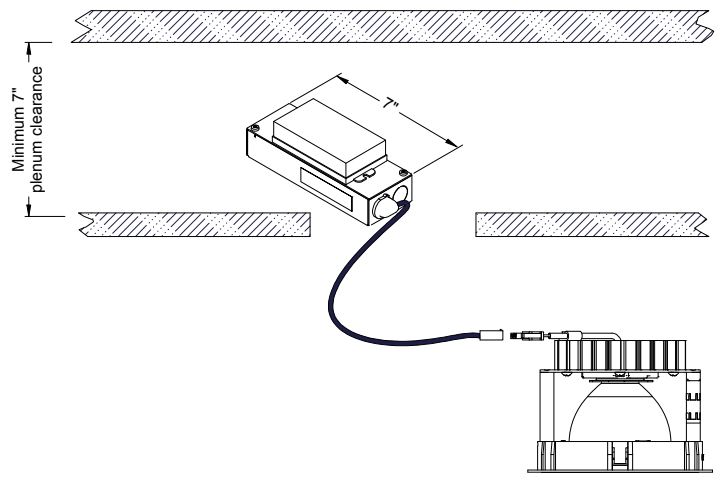
ceiling cutout
4-3/8" diameter
ceiling thickness
1/2" to 1 3/4"



| PROJECT INFORMATION | | |
|---------------------|------|--|
| JOB NAME | TYPE | |
| ORDERING CODE | | |

MOUNTING OPTIONS

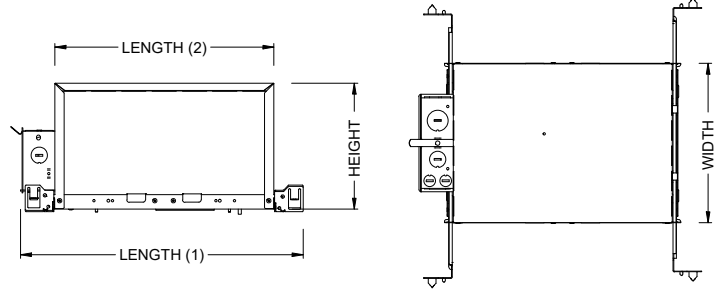
RET - RETRO TRIM/TRIMLESS



| RATINGS / CERTIFICATIONS | NC | RET | IC | ICAT | CP |
|---------------------------------------|----|-----|----|------|----|
| TYPE NON-IC | ✓ | ✓ | | | |
| TYPE IC | | | ✓ | ✓ | ✓ |
| CHICAGO PLENUM (CCEA) | | | | | ✓ |
| SUITABLE FOR AIR HANDLING PLENUMS | ✓ | ✓ | ✓ | ✓ | ✓ |
| REDUCED AIRFLOW (WITH LENS) ASTM E283 | ✓ | ✓ | ✓ | ✓ | ✓ |

| CEILING THICKNESS | |
|---------------------|----------------------------|
| FIXTURE TYPE | MOUNTING TYPE |
| | |
| | STANDARD CEILING THICKNESS |
| TRIM | 1/8" to 1-5/8" |
| TRIMLESS | 3/8" to 1-3/4" |
| MILLWORK (TRIMLESS) | 1/2" to 1-3/4" |

IC - INSULATION CONTACT HOUSING ICAT - INSULATION CONTACT / AIR TIGHT CP - CHICAGO PLENUM



| BOX SIZE | L1 | L2 | W | H |
|----------|------------|-----------|----------|-----------|
| A | 15 - 7/16" | 11 - 3/4" | 8 - 1/2" | 6 - 3/4" |
| B | 16 - 7/16" | 12 - 3/4" | 9 - 1/2" | 11 - 3/4" |

| BOX TYPE / LUMEN OUTPUT - NARROW BEAM (20°-65°) | | | | | | |
|---|-------|----|------|-------|----|------|
| LUMEN OUTPUT | BOX-A | | | BOX-B | | |
| | CP | IC | ICAT | CP | IC | ICAT |
| 10LM | ✓ | ✓ | ✓ | | | |
| 15LM | ✓ | ✓ | ✓ | | | |
| 20LM | ✓ | ✓ | ✓ | | | |
| 25LM | ✓ | ✓ | ✓ | | | |
| 30LM | | | | | | |
| 35LM | | | | ✓ | ✓ | ✓ |
| 40LM | | | | | | |

| BOX TYPE / LUMEN OUTPUT - NARROW BEAM (12°) | | | |
|---|-------|----|------|
| LUMEN OUTPUT | BOX-A | | |
| | CP | IC | ICAT |
| 10LM | ✓ | ✓ | ✓ |
| 15LM | ✓ | ✓ | ✓ |

| PROJECT INFORMATION | | |
|---------------------|--|------|
| JOB NAME | | TYPE |
| ORDERING CODE | | |

BATTERY OPTIONS

EMERGENCY BATTERY

IOTA's ILB Battery Backups are UL Listed LED emergency drivers that allow the same LED fixture to be used for both normal and emergency operation. In the event of a power failure, the ILB switches to the emergency mode and operates the existing fixture for 90 minutes. The unit contains a battery, charger, and converter circuit in a single can. The Constant Power design of the ILB maintains the output wattage to the LED array even as the system voltage diminishes. UL 924 Listed for U.S. and Canada. UL 1310 Certified, Output Class 2 Compliant. Includes single-piece TBTS test switch and charge indicator accessory kit. For use with switched and unswitched fixtures, and includes Two-wire universal AC input. Meets or exceeds all National Electric Code and Life Safety Code Emergency Lighting Requirements. Rated for use in Plenum, Damp Location, Recessed Type IC, and Enclosed and Gasketed Luminaires.

REMOTE TEST SWITCH

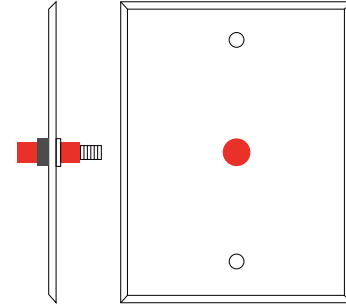
The Remote Test Switch may be mounted adjacent to the LED Fixture by others.

EMERGENCY BATTERY ACCESS

Above ceiling access is recommended for ease of service, but LED Fixture Sizes of 4" and Larger are capable of below ceiling access. IC/ICAT/CP Box and ITS option require an access panel in the ceiling (or other form of access) adjacent to the installation location of the Emergency Battery.

REMOTE LOCATION

Maximum remote mounting distance of the emergency driver shall be 50 feet. Remote location wiring provided by others. Follow all Local and National Electric/Building Codes.



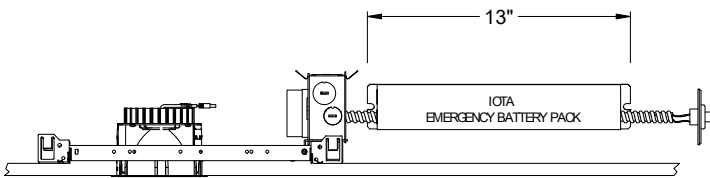
Remote Test Switch

EM MODE OUTPUT (DELIVERED LUMENS)

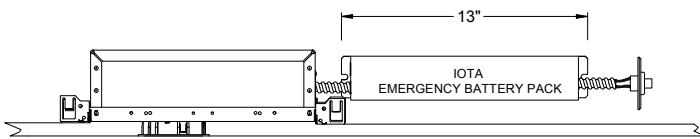
| LUMEN ORDERING CODE | EM7 | EM10 | EM12 |
|----------------------------|-----|------|------|
| ALL OPTIONS (10LM TO 40LM) | 640 | 920 | 1100 |

Notes: Based on 30K, 80CRI

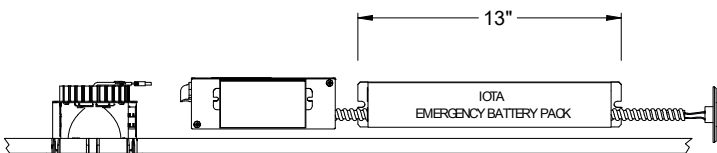
NC - NEW CONSTRUCTION WITH EM BATTERY (REMOTE TEST SWITCH)



IC / ICAT / CP - INSULATION CONTACT HOUSING WITH EM BATTERY (REMOTE TEST SWITCH)

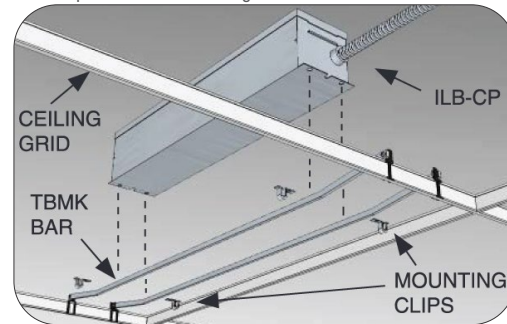


RET - RETROFIT WITH EM BATTERY (REMOTE TEST SWITCH)



Accessory

76066 Optional T-Grid Mounting Kit¹



1. Can be used with any of the Emergency Battery Backups. Must be ordered as a separate line item.