

PROJECT INFORMATION		
JOB NAME		TYPE
ORDERING CODE		

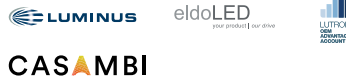
## NU4

### 4" Round Downlight Warm Dim



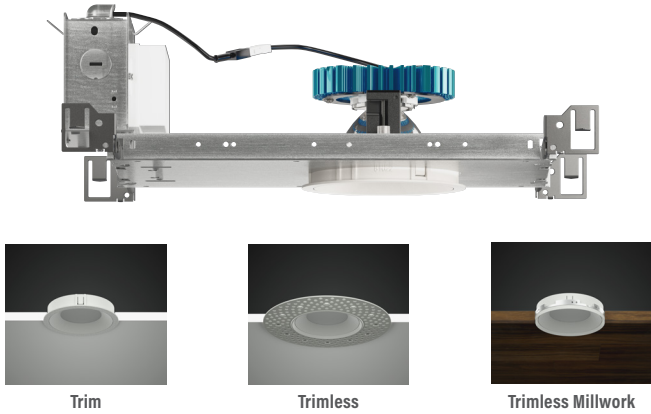
20° - 65° BEAM (Note: Specifications are subject to change without notice)		
18mm COB PERFORMANCE DATA		
LED LIGHT ENGINE	NOMINAL DELIVERED LUMENS	SYSTEM WATTAGE
30LM	2850LM @30K/97CRI	40W
NOTES	Delivered lumens based on 25D optic with HET lens, (see page 2)	

15° - 65° BEAM (Note: Specifications are subject to change without notice)		
14mm COB PERFORMANCE DATA		
LED LIGHT ENGINE	NOMINAL DELIVERED LUMENS	SYSTEM WATTAGE
20LM	1970LM @30K/97CRI	27W
15LM	1375LM @30K/97CRI	17W
10LM	950LM @30K/97CRI	12W
NOTES	Delivered lumens based on 20D optic HET lens, (see page 2)	



CASAMBI

12° BEAM (Note: Specifications are subject to change without notice)		
9mm DYNAMIC COB PERFORMANCE DATA		
LED LIGHT ENGINE	NOMINAL DELIVERED LUMENS	SYSTEM WATTAGE
10LM	1060LM @30K/97CRI	16W
NOTES	Delivered lumens based on 12D optic HET lens, (see page 2)	



#### FEATURES

- 3/4" bezel regress with 1/16" micro flange
- 12° - 65° optical beam control
- UGR < 12
- Up to 72 LPW
- Glare control, specialty optics, trim options, and custom finishes available
- Microban® antimicrobial finish available on all exposed painted surfaces

#### LED

- Luminus Dim-to-warm COB: 97 CRI: SDCM = 3-step MacAdam Ellipse; Lumen Maintenance: L<sub>70</sub> > 54,000 hrs

#### DIMMING AND CONTROLS

- eldoLED flicker free 0-10V dimming to 0% and 1%
- eldoLED flicker free DALI dimming to 0% and 1%
- Lutron Hi-lumen 2-Wire (Eco System) dimming
- Leading & trailing edge (Triac/ELV) dimming to 1%
- Casambi bluetooth dimming to 1.0%

#### LISTING

- ULus Listed to UL1598 & UL2108; cUL Listed to CSA C22.2 #250.0
- IP65 with lens - Suitable for wet locations with lens - Suitable for damp locations without lens
- Non-conductive, dead-front construction (shower approved)
- NSF/ANSI-2 with lens (Non-Food and Splash Zones)
- 5 Year Limited warranty

#### CONSTRUCTION

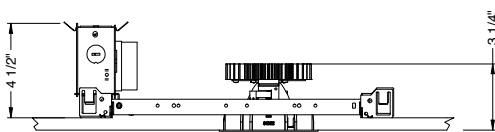
- Lexan™ (PC) highly resistant to impact and heat (240°F)
- Optimal material for wireless BLE signal connectivity
- Shatter proof acrylic bezel lens
- Electrocoated 16-gauge cold-rolled steel construction
- Accommodates ceiling thickness from 1/8" to 1-3/4"

#### ELECTRICAL

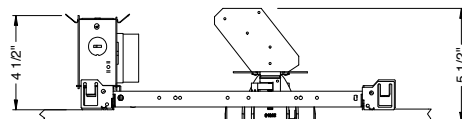
- 120V-277V, 120 only Triac / ELV
- Power factory ≥ 0.9
- 2kV driver input surge protection
- Remote and Integral (ITS) emergency test switch
- 7W, 10W (T20 CEC) and 12W EM 90min battery
- Max. ambient installation temperature 95°F (35°C)

#### FIXTURE HEIGHT

##### 10LM - 20LM LOW LUMENS



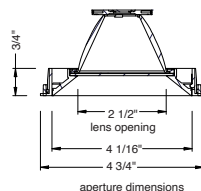
##### 30LM HIGH LUMENS



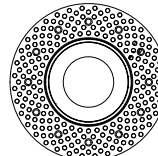
#### TRIMMED



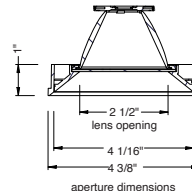
ceiling cutout  
4-1/2" diameter  
ceiling thickness  
1/8" to 1-5/8"



#### TRIMLESS



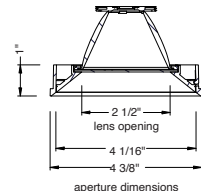
ceiling cutout  
4-1/2" diameter  
ceiling thickness  
3/8" to 1-3/4"



#### MILLWORK



ceiling cutout  
4-3/8" diameter  
ceiling thickness  
1/2" to 1-3/4"



# alphabet

PROJECT INFORMATION		
JOB NAME		TYPE
ORDERING CODE		

## 8°- 65° BEAM ORDERING CODE

SERIES	NU4	NU4				
TYPE	RD	round downlight				
	RDT	round downlight trimless				
	RDM	round downlight metal				
	RDTMW	round downlight trimless millwork				
LED	WD	warm dim (Luminus)				
DELIVERED LUMENS	10LM	950 lm				
	15LM	1375 lm				
	20LM	1970 lm				
	30LM	2850 lm				
Standard Configuration: 3000K 97CRI 40D, HET Calculated Delivered Lumens = [Delivered Lumen Value] x [CCT Multiplier] x [Reflector Multiplier]						
CCT	3018	3000K, dim to 1800K				
		CCT at Light Level (%LF) <sup>9</sup>				
		%LF	30LM	20LM	15LM	10LM
		100%	3000	3000	3000	3000
		50%	3000	3000	3000	2800
25%	2800	2800	2500	2300		
10%	2200	2200	2000	1900		
5%	1800	1800	1800	1800		
CRI	97	97 CRI				
OPTIC & LM MULTIPLIER SEE PAGE 5, 6	12D <sup>1</sup>	12 degrees	(1.00)			
	15D <sup>2</sup>	15 degrees	(1.00)			
	20D	20 degrees	(1.00)			
	25D	25 degrees	(1.00)			
	35D	35 degrees	(1.00)			
	40D	40 degrees	(1.00)			
	55D	55 degrees	(0.98)			
65D	65 degrees	(0.98)				
BEZEL LENS SEE PAGE 3	NL <sup>3</sup>	no lens	(0.96)			
	CL	clear lens	(0.90)			
	DL	diffused lens	(0.97)			
	HCL <sup>4</sup>	honeycomb louver	(0.71)			
	HET	high efficiency textured lens, similar to Solite™	(1.00)			
	SBL	smoothing beam lens	(1.00)			
TRIM COLOR SEE PAGE 3	BK	black				
	WH	white				
	MC	matte chrome				
	BZ	bronze				
	WT	wheat				
	CC <sup>5</sup>	custom color, consult factory for details				
Antimicrobial finish, add AM to black, white or matte chrome i.e. BKAM.						
Not applicable to trimless option. Do not include in trimless ordering code.						
BEZEL COLOR SEE PAGE 3	BK	black	(0.98)			
	WH	white	(1.00)			
	MC	matte chrome	(0.99)			
	BZ	bronze	(0.98)			
	WT	wheat	(0.99)			
	CC <sup>5</sup>	custom color, consult factory for details				
Antimicrobial finish, add AM to black, white or matte chrome i.e. BKAM.						

## 8°- 65° BEAM ORDERING CODE

MOUNTING OPTIONS SEE PAGE 6, 7	NC	new construction with ceiling fitting plate
	IC <sup>6</sup>	insulation contact housing
	ICAT <sup>6</sup>	insulation contact/airtight housing
	CP <sup>6</sup>	chicago plenum housing
	RET	retrofit, no ceiling fitting plate
VOLTAGE	120	120V
	UNV	120V-277V
DIMMING	DIM10	eldoLED flicker free 0-10V dimming to 1%
	DIM10Z	eldoLED flicker free 0-10V dimming to 0%
	DALI	eldoLED flicker free DALI dimming to 1%
	DALIZ	eldoLED flicker free DALI dimming to 0%
	DMXZ	DMX dim to zero
	LUTP <sup>7</sup>	Lutron Hi-lume Premier Ecosystem dimming to 0.1%, Soft-on & Fade-to-Black
	ELV1 <sup>8</sup>	leading & trailing edge (Triac/ELV) dimming to 1%
ELECTRICAL OPTIONS	EM7 <sup>9</sup>	emergency battery backup, 90 minutes at 7W to LED
	EM12 <sup>9</sup>	emergency battery backup, 90 minutes at 12W to LED
	EM10CA20 <sup>9</sup>	remote emergency battery backup, 90 minutes at 10W to LED, CA title 20

## ADDITIONAL MOUNTING INFO

New Construction Bar Hangers (included)	Mounting Length: 14-3/4" to 26"
Extension Kit p/n: K20266 (ordered separately, 1 per fixture)	Extends a pair of Bar Hangers Total Mounting Length: 29" to 48"

## YOUR COMPLETED ORDERING CODE

Follow the steps to specify your fixture, example:
<b>NU4 - RD - WD - 20LM - 3018 - 97 - 20D - NL - WH - WH - NC - UNV - DIM10 - EM7</b>

## NOTES

- 12D available in 10LM
- 15D available in 10LM/15LM/20LM
- NL option does not meet requirements for AT/DF/WET/NSF listings. Lensing cannot be added in the field
- HCL not available with lens.
- Custom set up fee plus minimum quantity required per color.
- IC/ICAT/CP not available for 30LM.
- LUTP not available in 20LM/30LM.
- ELV1 dimming available in 120V.
- For integrated test switch add "ITS" after emergency backup code, i.e. EM12ITS. Test switch is mounted in the bezel of the fixture.

\* EldoLED uses logarithmic dimming curve as standard. For linear dimming curve, add "LIN" after dimming code, i.e. DIM10LIN.

\* Values shown are for reference only. Actual CCT may vary.

# alphabet

PROJECT INFORMATION		
JOB NAME		TYPE
ORDERING CODE		

## TRIM OPTIONS

### TRIM/BEZEL COLORS



## OPTICAL OPTIONS

- UGR calculation based on CIE 117-1995; room size: 4H X 8H, reflectance: 70/50/20;
- UGR calculation based on 15LM fixtures, unless otherwise noted.

### HCL

Honeycomb Louver



OPTIC	BEAM ANGLE	UGR
12D	11	8.9
15D	15	11.4
20D	20	12
35D	31	12.8
55D	49	13.8
65D	55	16.1

12D UGR calculation based on 10LM fixtures

### NL

No Lens



OPTIC	BEAM ANGLE	UGR
12D	12	12.6
15D	16	13.5
20D	22	13.7
35D	35	15
55D	55	16.2
65D	68	19.3

12D UGR calculation based on 10LM fixtures

### CL

Clear Lens



OPTIC	BEAM ANGLE	UGR
12D	12	12.4
15D	16	13.4
20D	22	13.5
35D	35	14.8
55D	55	16
65D	68	19

12D UGR calculation based on 10LM fixtures

### DL

Diffused Lens



OPTIC	BEAM ANGLE	UGR
15D	37	19.1
20D	41	19.7
35D	50	21
55D	61	21.7
65D	70	23.8

15D, 25D UGR calculation based on 10LM fixtures

### HET

High Efficiency Textured Lens



OPTIC	BEAM ANGLE	UGR
12D	17	15.9
15D	21	13.6
20D	26	13.8
35D	37	16
55D	56	17.2
65D	64	20.2

12D UGR calculation based on 10LM fixtures

### SBL

Smoothing Beam Lens



OPTIC	BEAM ANGLE	UGR
12D	14	12
15D	17	13
20D	23	13.2
35D	35	15.2
55D	56	16.5
65D	66	19.7

12D UGR calculation based on 10LM fixtures

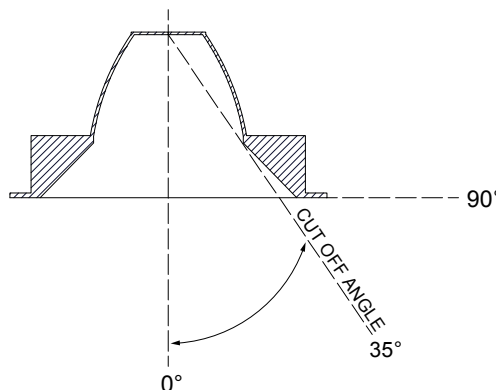
## GLARE CONTROL

### CUT-OFF ANGLE

Visual comfort is achieved with a lower cut-off angle due to improved glare control. The smaller the cut-off angle, the easier it is on the eye.

Alphabet downlights have been thoughtfully engineered to eliminate glare while still delivering functional illumination.

- Cutoff angle of CL is 35 degrees;



# alphabet

PROJECT INFORMATION		
JOB NAME		TYPE
ORDERING CODE		

## PHOTOMETRIC DATA

### 15LM

**15D-NL  
16° NO LENS**

Throw Distance (ft)	Beam Diameter (ft)
6	1.7
8	2.3
10	2.9
12	3.5
14	4

224  
126  
81  
56  
41  
Illuminance at Center (fc)

WATTS:: 17	LPW:: 77.1
LUMENS: 1311	CCT:: 3000K
INTENSITY	
DEGREE	CANDELA
0	8057
5	6445
15	1291
25	551
35	265
45	4

**20D-NL  
22° NO LENS**

Throw Distance (ft)	Beam Diameter (ft)
6	2.4
8	3.2
10	4
12	4.8
14	5.5

148  
83  
53  
37  
27  
Illuminance at Center (fc)

WATTS:: 17	LPW:: 77.3
LUMENS: 1313	CCT:: 3000K
INTENSITY	
DEGREE	CANDELA
0	5324
5	4621
15	1644
25	600
35	254
45	6

**35D-NL  
35° NO LENS**

Throw Distance (ft)	Beam Diameter (ft)
6	3.8
8	5.1
10	6.4
12	7.6
14	8.9

79  
44  
28  
20  
15  
Illuminance at Center (fc)

WATTS:: 17	LPW:: 77.3
LUMENS: 1314	CCT:: 3000K
INTENSITY	
DEGREE	CANDELA
0	2846
5	2659
15	1707
25	823
35	311
45	13

### 30LM

**55D-NL  
26° NO LENS**

Throw Distance (ft)	Beam Diameter (ft)
6	6.5
8	8.6
10	10.8
12	13
14	15.1

46  
26  
17  
12  
8  
Illuminance at Center (fc)

WATTS:: 17	LPW:: 76
LUMENS: 1291	CCT:: 3000K
INTENSITY	
DEGREE	CANDELA
0	1587
5	1629
15	1518
25	1007
35	360
45	17

**65D-NL**

Throw Distance (ft)	Beam Diameter (ft)
6	8.1
8	10.8
10	13.5
12	16.2
14	18.9

32  
18  
12  
8  
6  
Illuminance at Center (fc)

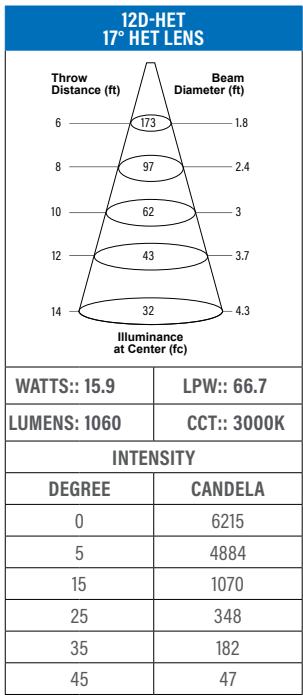
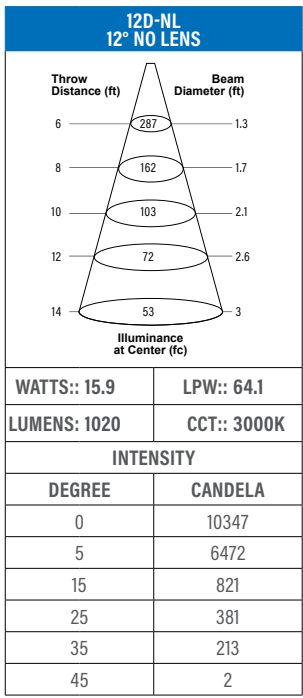
WATTS:: 17	LPW:: 76.2
LUMENS: 1295	CCT:: 3000K
INTENSITY	
DEGREE	CANDELA
0	1152
5	1154
15	1123
25	897
35	516
45	133

# alphabet

PROJECT INFORMATION		
JOB NAME		TYPE
ORDERING CODE		

## PHOTOMETRIC DATA

10LM

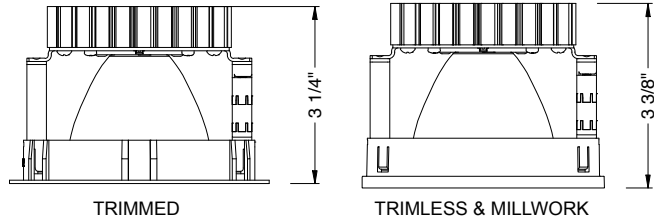


PROJECT INFORMATION		
JOB NAME		TYPE
ORDERING CODE		

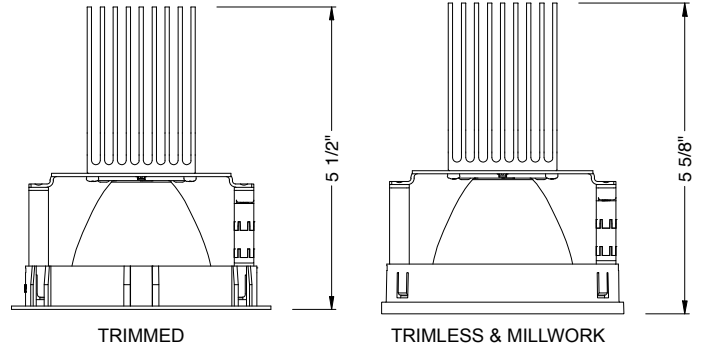
## MOUNTING OPTIONS

### FIXTURE HEIGHT

#### 10LM - 20LM CONFIGURATION

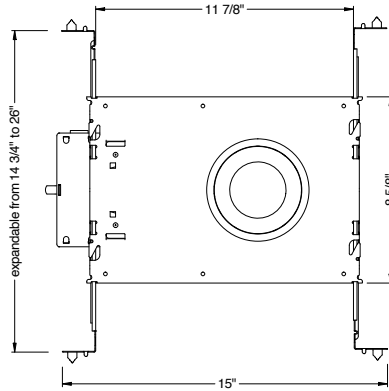
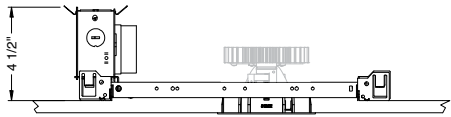


#### 30LM CONFIGURATION

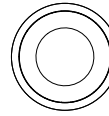


### NC - NEW CONSTRUCTION

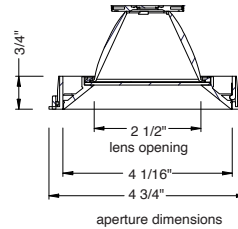
#### TRIM



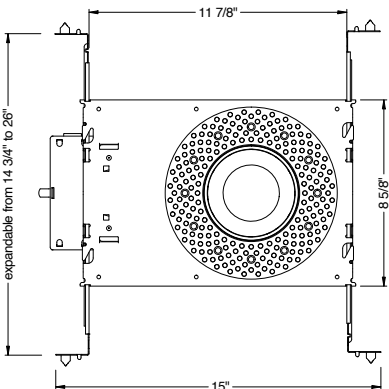
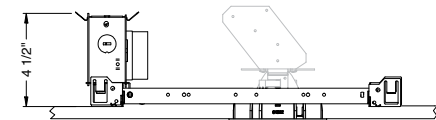
#### TRIM



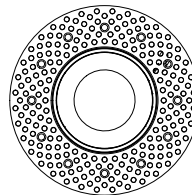
ceiling cutout  
4-1/2" diameter  
ceiling thickness  
1/8" to 1-5/8"



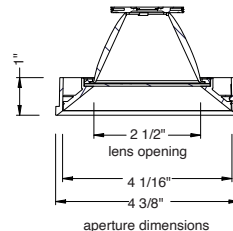
#### TRIMLESS



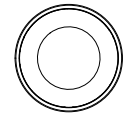
#### TRIMLESS



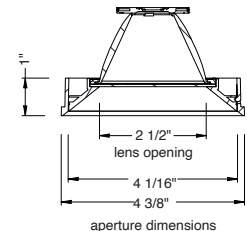
ceiling cutout  
4-1/2" diameter  
ceiling thickness  
3/8" to 1-3/4"



#### TRIMLESS/MILLWORK



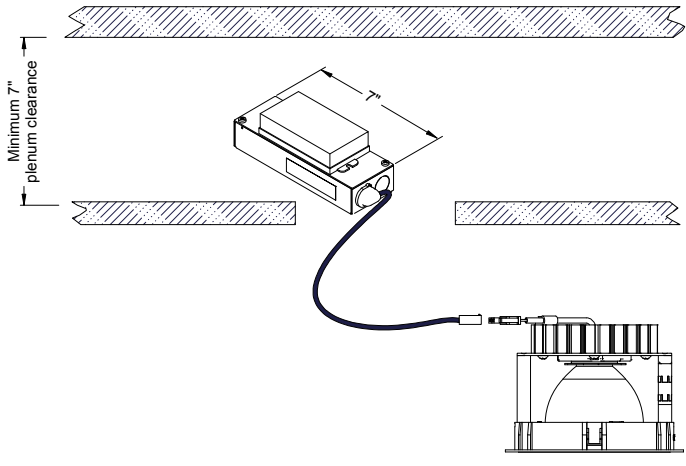
ceiling cutout  
4-3/8" diameter  
ceiling thickness  
1/2" to 1-3/4"



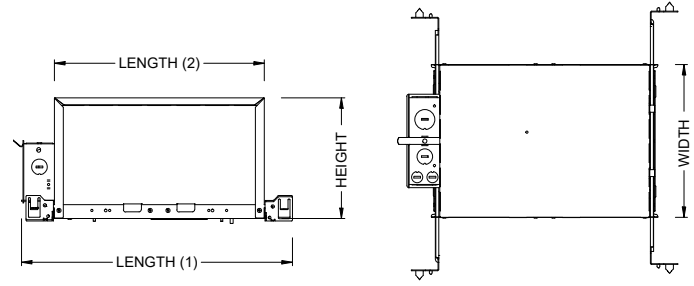
PROJECT INFORMATION		
JOB NAME	TYPE	
ORDERING CODE		

## MOUNTING OPTIONS (CONTINUED)

### RET - RETRO TRIM/TRIMLESS



### IC - INSULATION CONTACT HOUSING ICAT - INSULATION CONTACT / AIR TIGHT CP - CHICAGO PLENUM



BOX SIZE	L 1	L 2	W	H
A	15 - 7/16"	11 - 3/4"	8 - 1/2"	6 - 3/4"

RATINGS / CERTIFICATIONS	NC	RET	IC	ICAT	CP
TYPE NON-IC	✓	✓			
TYPE IC			✓	✓	✓
CHICAGO PLENUM (CCEA)					✓
SUITABLE FOR AIR HANDLING PLENUMS	✓	✓	✓	✓	✓
REDUCED AIRFLOW (WITH LENS) ASTM E283	✓	✓	✓	✓	✓

BOX TYPE / LUMEN OUTPUT - NARROW BEAM (15°-65°)			
LUMEN OUTPUT	BOX - A		
	IC	ICAT	CP
10LM	✓	✓	✓
15LM	✓	✓	✓
20LM	✓	✓	✓

CEILING THICKNESS	
FIXTURE TYPE	MOUNTING TYPE
	STANDARD CEILING THICKNESS
TRIM	1/8" to 1-5/8"
TRIMLESS	3/8" to 1-3/4"
MILLWORK (TRIMLESS)	1/2" to 1-3/4"

BOX TYPE / LUMEN OUTPUT - NARROW BEAM (12°)			
LUMEN OUTPUT	BOX - A		
	IC	ICAT	CP
10LM	✓	✓	✓

PROJECT INFORMATION		
JOB NAME		TYPE
ORDERING CODE		

## BATTERY OPTIONS

### EMERGENCY BATTERY

IOTA's ILB Battery Backups are UL Listed LED emergency drivers that allow the same LED fixture to be used for both normal and emergency operation. In the event of a power failure, the ILB switches to the emergency mode and operates the existing fixture for 90 minutes. The unit contains a battery, charger, and converter circuit in a single can. The Constant Power design of the ILB maintains the output wattage to the LED array even as the system voltage diminishes. UL 924 Listed for U.S. and Canada. UL 1310 Certified, Output Class 2 Compliant. Includes single-piece TBTS test switch and charge indicator accessory kit. For use with switched and unswitched fixtures, and includes Two-wire universal AC input. Meets or exceeds all National Electric Code and Life Safety Code Emergency Lighting Requirements. Rated for use in Plenum, Damp Location, Recessed Type IC, and Enclosed and Gasketed Luminaires.

### REMOTE TEST SWITCH

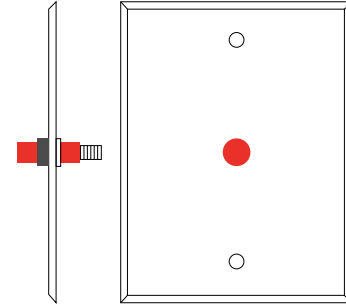
The Remote Test Switch may be mounted adjacent to the LED Fixture by others.

### EMERGENCY BATTERY ACCESS

Above ceiling access is required for service. An access panel in the ceiling (or other form of access) adjacent to the installation location of the Emergency Battery is required.

### REMOTE LOCATION

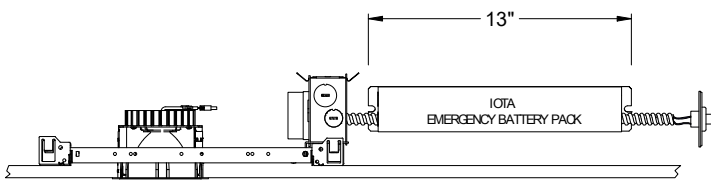
Maximum remote mounting distance of the emergency driver shall be 50 feet. Remote location wiring provided by others. Follow all Local and National Electric/ Building Codes.



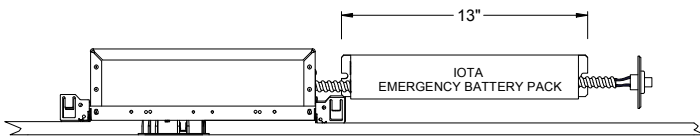
Remote Test Switch

EM MODE OUTPUT (DELIVERED LUMENS)			
LUMEN ORDERING CODE	EM7	EM10	EM12
ALL OPTIONS (10LM TO 30LM)	530LM	750LM	900LM
Notes: Based on 30K, 97CRI			

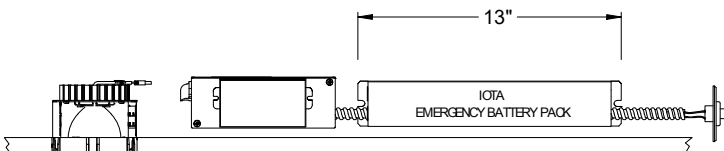
### NC - NEW CONSTRUCTION WITH EM BATTERY (REMOTE TEST SWITCH)



### IC / ICAT / CP - INSULATION CONTACT HOUSING WITH EM BATTERY (REMOTE TEST SWITCH)

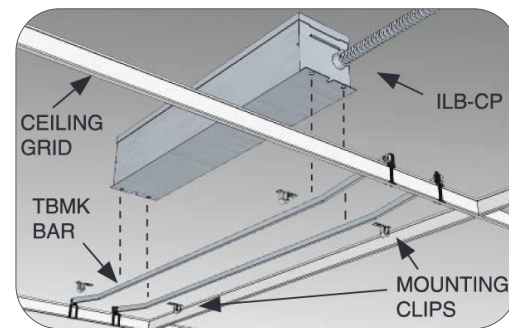


### RET - RETROFIT WITH EM BATTERY (REMOTE TEST SWITCH)



### Accessory

76066 Optional T-Grid Mounting Kit<sup>1</sup>



1. Can be used with any of the Emergency Battery Backups. Must be ordered as a separate line item.