

JOB NAME _____

CONTACT _____

ORDERING CODE _____

ORDERING CODE



NU4" Round Downlight LiteOptics Warm Dim



NU4RD Optic CQR

NU4RD Optic DPR

DESCRIPTION

The NU4RD-WD LiteOptics 4" recessed downlight by ALPHABET offers economical and efficient dim-to-warm LED technology from Luminus, premium performance, thoughtful construction and pleasing aesthetics. Offered standard with premium dimming using EldoLED 1% flicker free drivers 120V-277V universal voltage. A minimalistic look is achieved with an ultrathin 1/16" trim that is only 5/16" wide. Complemented by premium, UV stabilized, evenly diffused PMMA optic. Several beam angles and LiteOptics available, plus an optional high-efficiency BrightView diffused lens for smooth light distribution and obscured LED image.

HOUSING

Electrocoated 16-gauge cold-rolled steel provides enhanced structural reinforcement and rust prevention. Superior, UL-certified, injection-molded commercial-grade Lexan™ (PC) is used for the frame and regressed bezel trim. Lexan provides unmatched durability and impact resistance, and is tested for UV resistance and water exposure in outdoor applications. The thermally-advanced, anodized heat sink uses 6063 aluminum alloy. Wet location rated is offered standard. A 90-minute constant-power IOTA emergency battery backup is available.

MOUNTING

An advanced mounting system allows for quick and secure installation with LED and driver serviceability from below the ceiling. The LED assembly uses die-cast aluminum mounting clamp grips (MCG) that swing out to tighten onto variable ceiling thicknesses. Integrated rubber feet on each MCG provide a non-slip vibration-resistant installation. The hidden MCG system is accessible from below ceiling by removing the snap-in lens/bezel assembly with either the included suction cup or a screwdriver blade. Integrated bar hangers feature integral toothed nails, T-bar mounting slots with locking holes, tabs for joist positioning. Retrofit mounting option allows for installation from below ceiling by use of compact driver box. No risk damaging LED or bezel assembly during installation, these are installed during last steps. Fixture and driver are easily removed for servicing after install without damaging drywall.

MOUNTING DIMENSIONS	CEILING THICKNESS	CEILING CUTOUT
Trim	1/8" to 1-5/8"	4-3/8" diameter

New Construction Bar Hangers (included)	Mounting Length: 14-3/4" to 26"
Extension Kit p/n: K20266 (ordered separately, 1 per fixture)	Extends a pair of Bar Hangers Total Mounting Length: 29" to 48"

LISTINGS

- ETLus Listed to UL1598, cETL Listed to CSA C22.2 #250.0
- IP65 with lens - Suitable for wet locations with lens - Suitable for damp locations without lens
- Non-conductive, Lexan dead-front construction
- Made in the USA – meets the requirements of the Buy American provision within the ARRA

RATINGS / CERTIFICATIONS	NC	RET	IC	ICAT	CP
Type non-IC	✓	✓			
Type IC			✓	✓	✓
Chicago Plenum (CEEA)					✓
Suitable for air handling plenums				✓	✓
Reduced airflow (with lens) ASTM E283	✓	✓	✓	✓	✓

LED INFO

- LUMINUS Dim-to-warm COB:
97 CRI: SDCM = 3-step MacAdam Ellipse; Lumen Maintenance: L70> 54,000 hrs

SERIES	NU4	
TYPE	RD	round downlight
LED	WD	warm dim (Luminus)
DELIVERED LUMENS	10LM 13LM 20LM	820 lm 1230 lm 1850 lm
CCT	3018	3000K, dim to 1800K
CRI	97	97 CRI
REFLECTOR & LM MULTIPLIER	CQR-S20 CQR-HE40 DPR-S20 DPR-HE40 EXAMPLE	20° CIRQUE RING with clear lens (1.00) 40° CIRQUE RING with diffused lens (0.83) 20° DROP RING with clear lens (0.97) 40° DROP RING with diffused lens (0.83) "CQR-S20"@ "13LM" = 1230lm x (1.00) = 1230lm
VOLTAGE	120 UNV	120V 120V-277V
DIMMING	DIM10 DIM10Z DALI DALIZ DMXZ LUT ELV ² ELV1 ²	eldoLED flicker free 0-10V dimming to 1% eldoLED flicker free 0-10V dimming to 0% eldoLED flicker free DALI dimming to 1% eldoLED flicker free DALI dimming to 0% DMX dim to zero Lutron Hi-lume Ecosystem dimming to 1%, Soft-on & Fade-to-Black leading & trailing edge (Triac/ELV) dimming to < 10% leading & trailing edge (Triac/ELV) dimming to 1%
MOUNTING OPTIONS	NC IC ¹ ICAT ¹ CP ¹ RET	new construction with ceiling fitting plate insulation contact housing insulation contact/airtight housing chicago plenum housing retrofit, no ceiling fitting plate
TRIM COLOR	WH MC BK BZ WT	white matte chrome black bronze wheat
ELECTRICAL OPTIONS	EM7 EM12	emergency battery backup, 90 minutes at 7 watts to LED emergency battery backup, 90 minutes at 12 watts to LED

ORDERING CODE

Follow the steps to specify your fixture, example:

NU4 - RD - WD - 13LM - 3018 - 97 - CQR - S20 - 120 - DALIZ - NC - WH - EM7

LUMINUS (LED)	POWER	CCT AT LIGHT LEVEL (%LF) ³			
		%LF	20LM	13LM	10LM
820	17	100%	3000	3000	3000
1230	27	50%	3000	3000	2800
1850	40	25%	2800	2500	2300
		10%	2200	2000	1900
		5%	1800	1800	1800

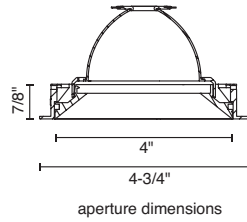
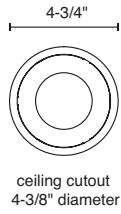
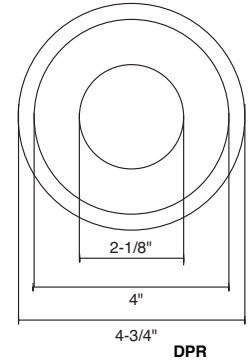
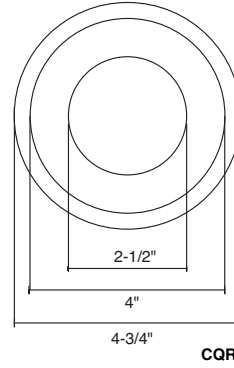
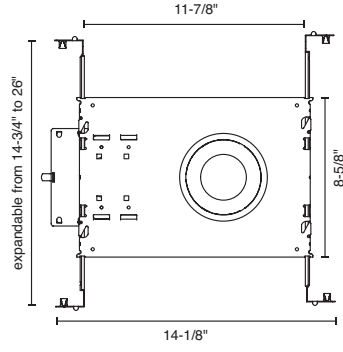
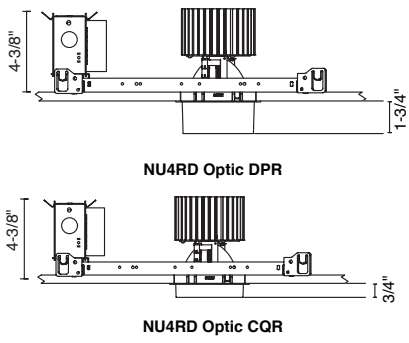
Power Factor ≥ 0.9

NOTES

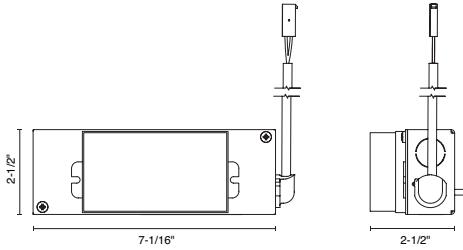
1. IC/ICAT/CP not available for 20LM.
2. Triac/ELV dimming available in 120V only.
3. Values shown are for reference only. Actual CCT may vary.

MOUNTING OPTIONS

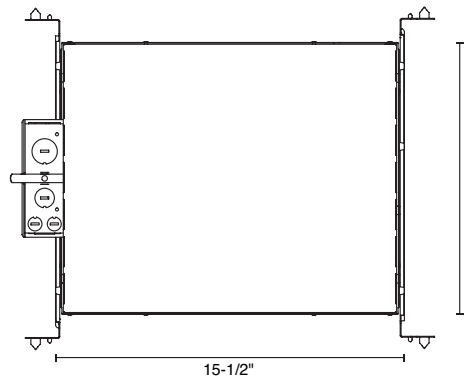
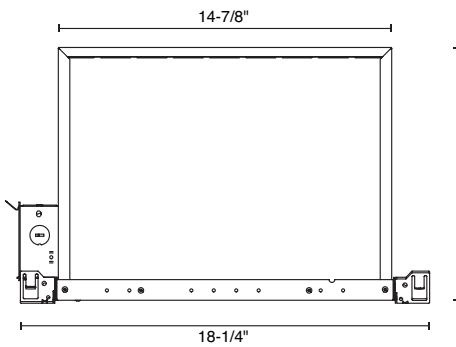
NC - NEW CONSTRUCTION



RET - RETROFIT



IC - INSULATION CONTACT HOUSING



**CP - CHICAGO PLENUM
ICAT - INSULATION CONTACT / AIR TIGHT**

