

NU4

4" Round Downlight LiteOptics



NU4RD Optic CQR



NU4RD Optic DPR

DESCRIPTION

The NU4RD LiteOptics is an economical and highly efficient spec grade 4" recessed downlight with thoughtful construction and pleasing aesthetics. Offered standard with premium dimming using EldoLED 1% flicker free drivers 120V-277V universal voltage. A minimalistic look is achieved with an ultrathin 1/16" trim that is only 5/16" wide. Complimented by premium, UV stabilized, evenly diffused PMMA optic. Several beam angles and LiteOptics available, plus an optional high-efficiency BrightView diffused lens for smooth light distribution and obscured LED image.

HOUSING

Electrocoated 16-gauge cold-rolled steel provides enhanced structural reinforcement and rust prevention. Superior, UL-certified, injection-molded commercial-grade Lexan™ (PC) is used for the frame and regressed bezel trim. Lexan provides unmatched durability and impact resistance, and is tested for UV resistance and water exposure in outdoor applications. The thermally-advanced, anodized heat sink uses 6063 aluminum alloy. Wet location rated is offered standard. A 90-minute constant-power IOTA emergency battery backup is available.

MOUNTING

An advanced mounting system allows for quick and secure installation with LED and driver serviceability from below the ceiling. The LED assembly uses die-cast aluminum mounting clamp grips (MCG) that swing out to tighten onto variable ceiling thicknesses. Integrated rubber feet on each MCG provide a non-slip vibration-resistant installation. The hidden MCG system is accessible from below ceiling by removing the snap-in lens/bezel assembly with either the included suction cup or a screwdriver blade. Integrated bar hangers feature integral toothed nails, T-bar mounting slots with locking holes, tabs for joist positioning. Retrofit mounting option allows for installation from below ceiling by use of compact driver box. No risk damaging LED or bezel assembly during installation, these are installed during last steps. Fixture and driver are easily removed for servicing after install without damaging drywall.

MOUNTING DIMENSIONS	CEILING THICKNESS	CEILING CUTOUT
Trim	1/8" to 1-5/8"	4-3/8" diameter

New Construction Bar Hangers (included)	Mounting Length: 14-3/4" to 26"
Extension Kit p/n: K20266 (ordered separately, 1 per fixture)	Extends a pair of Bar Hangers Total Mounting Length: 29" to 48"

LISTINGS

- ETLus Listed to UL1598, cETL Listed to CSA C22.2 #250.0
- IP65 with lens - Suitable for wet locations with lens - Suitable for damp locations without lens
- Non-conductive, Lexan dead-front construction
- Made in the USA - meets the requirements of the Buy American provision within the ARRA

RATINGS / CERTIFICATIONS	NC	RET	IC	ICAT	CP
Type non-IC	✓	✓			
Type IC			✓	✓	✓
Chicago Plenum (CCEA)					✓
Suitable for air handling plenums				✓	✓
Reduced airflow (with lens) ASTM E283	✓	✓	✓	✓	✓

LED INFO

- 90 CRI: SDCM = 2-step MacAdam Ellipse, Lumen Maintenance: L₇₀ > 66,000 hrs
- 80 CRI: SDCM = 3-step MacAdam Ellipse, Lumen Maintenance: L₇₀ > 66,000 hrs

PROJECT INFORMATION		
JOB NAME		TYPE
ORDERING CODE		

ORDERING CODE

SERIES	NU4										
TYPE	RD	round downlight									
LED	SW	standard white									
DELIVERED LUMENS	07LM	630 lm									
	10LM	820 lm									
DELIVERED LUMENS	13LM	1230 lm									
	20LM	1850 lm									
	30LM	2460 lm									
	Calculated Delivered Lumens = [Delivered Lumen Value] x [CCT Multiplier] x [Reflector Multiplier]										
	Standard Configuration: 3000K 80CRI CQR-S20										
CCT	22K	2200K	CCT	2200K	2700K	3000K	3500K	4000K			
	27K	2700K	CRI	80+	90+	80+	90+	80+	90+		
CCT	30K	3000K	CCT MULTIPLIER FOR LUMEN OUTPUT								
	35K	3500K	0.85	N/A	0.96	0.81	1.00	0.84	1.01	0.85	1.03
CCT	40K	4000K									
CRI	80	80 CRI									
	90 ¹	90 CRI									
LITEOPTIC & LM MULTIPLIER	CQR-S20	20° CIRQUE RING with clear lens (1.00)									
	CQR-HE40	40° CIRQUE RING with diffused lens (0.83)									
LITEOPTIC & LM MULTIPLIER	DPR-S20	20° DROP RING with clear lens (0.97)									
	DPR-HE40	40° DROP RING with diffused lens (0.83)									
	EXAMPLE	*CQR-S20* @ *13LM* = 1230 lm x (1.00) = 1230 lm									
VOLTAGE	120 UNV	120V	120V-277V								
DIMMING	DIM10 ³	eldoLED flicker free 0-10V dimming to 1%									
	DIM10Z ³	eldoLED flicker free 0-10V dimming to 0%									
DIMMING	DALI ³	eldoLED flicker free DALI dimming to 1%									
	DALIZ ³	eldoLED flicker free DALI dimming to 0%									
	DMXZ	DMX dim to zero									
	LUT	Lutron Hi-lume Ecosystem dimming to 1%, Soft-on & Fade-to-Black									
	LUTP ⁵	Lutron Hi-lume Premier Ecosystem dimming to 0.1%, Soft-on & Fade-to-Black									
	ELV ⁴	leading & trailing edge (Triac/ELV) dimming to < 10% leading & trailing edge (Triac/ELV) dimming to 1%									
MOUNTING OPTIONS	NC	new construction with ceiling fitting plate									
	IC ²	insulation contact housing									
	ICAT ²	insulation contact/airtight housing									
	CP ²	chicago plenum housing									
TRIM COLOR	RET	retrofit, no ceiling fitting plate									
	BK	black									
	WH	white									
	MC	matte chrome									
	BZ	bronze									
ELECTRICAL OPTIONS	WT	wheat									
	EM7	emergency battery backup, 90 minutes at 7W to LED									
	EM12	emergency battery backup, 90 minutes at 12W to LED									

ORDERING CODE

Follow the steps to specify your fixture, example:
NU4 - RD - SW - 13LM - 30K - 80- CQR - S20 - 120 - DALIZ - NC - WH - EM7

SW (LED)	POWER
DELIVERED LM	W (80/90 CRI)
630	9
820	12
1230	16
1850	24
2460	32

Power Factor ≥ 0.9

NOTES

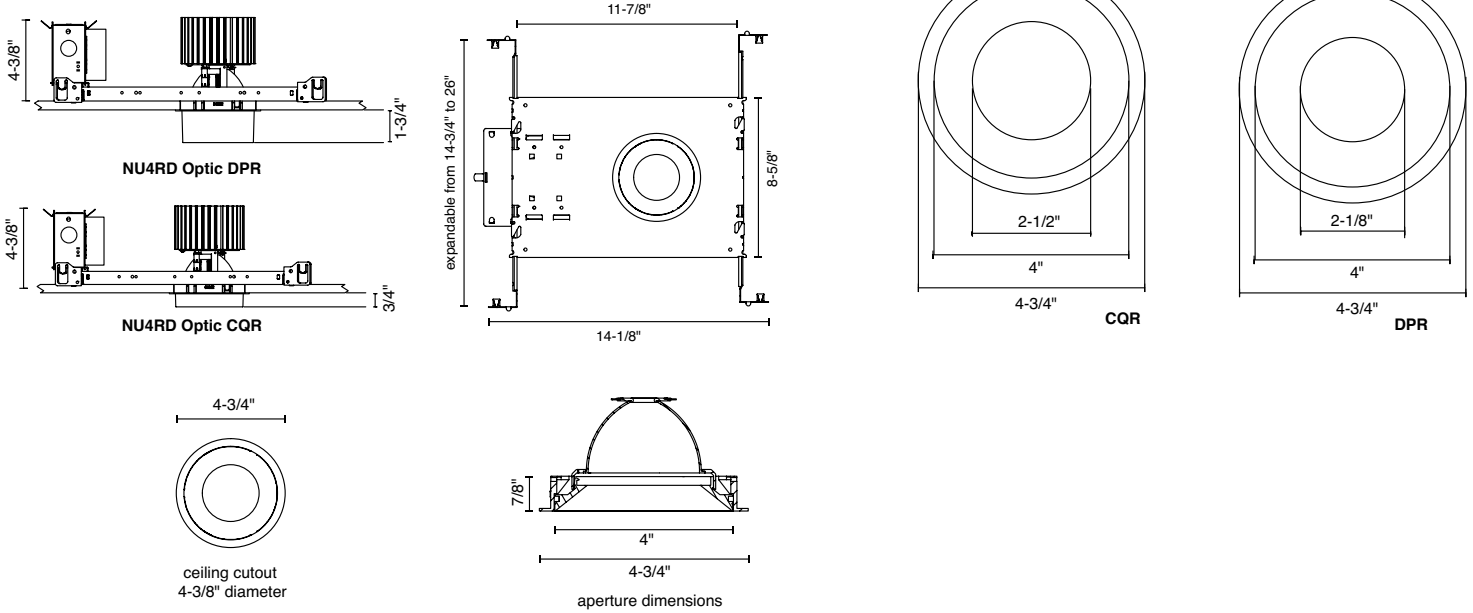
1. 90 CRI not available in 5000K.
2. IC/ICAT/CP not available in 30LM.
3. Driver uses logarithmic dimming curve as standard. For linear dimming curve add "LIN" after dimming code, i.e. DIM10LIN.
4. Triac/ELV dimming available in 120V only.
5. LUTP not available in 20LM or 30LM.

alphabet

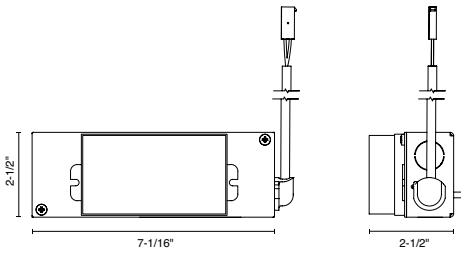
PROJECT INFORMATION		
JOB NAME	TYPE	
ORDERING CODE		

MOUNTING OPTIONS

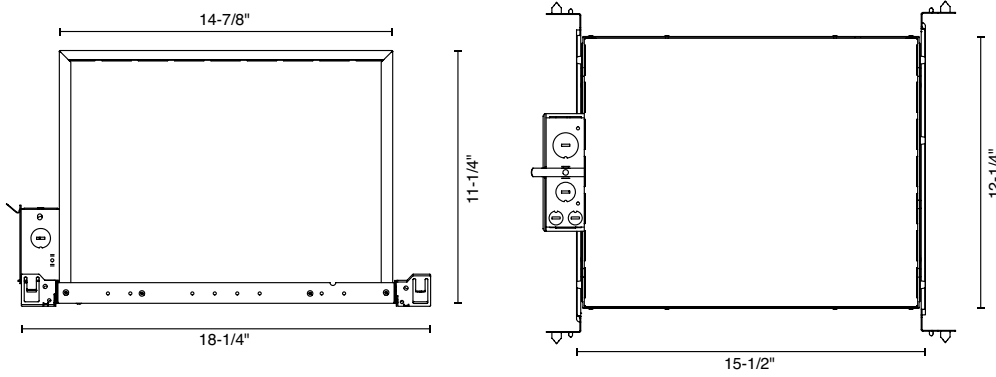
NC - NEW CONSTRUCTION



RET - RETROFIT



IC - INSULATION CONTACT HOUSING



CP - CHICAGO PLENUM

ICAT - INSULATION CONTACT / AIR TIGHT

