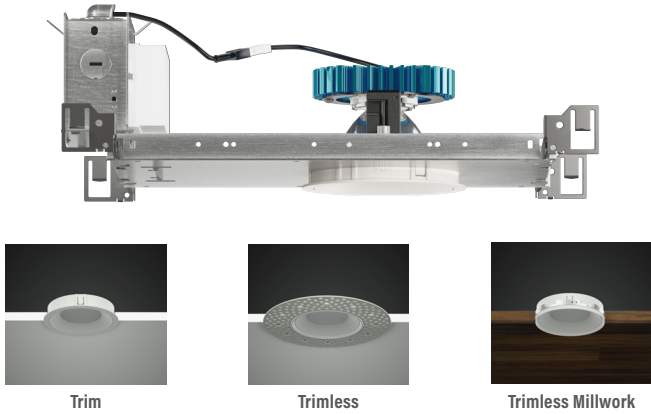


alphabet

PROJECT INFORMATION		
JOB NAME		TYPE
ORDERING CODE		

NU4

4" Round Downlight Standard White



20° - 65° BEAM (Note: Specifications are subject to change without notice)		
14mm COB PERFORMANCE DATA		
LED LIGHT ENGINE	NOMINAL DELIVERED LUMENS	SYSTEM WATTAGE
10LM	990LM @30K/80CRI	9W
15LM	1485LM @30K/80CRI	12W
20LM	2095LM @30K/80CRI	17W
25LM	2540LM @30K/80CRI	21W
30LM	3090LM @30K/80CRI	26W
35LM	3580LM @30K/80CRI	31W
40LM	4180LM @30K/80CRI	37W
10LM	840LM @30K/90CRI	9W
15LM	1260LM @30K/90CRI	12W
20LM	1780LM @30K/90CRI	17W
25LM	2160LM @30K/90CRI	21W
30LM	2620LM @30K/90CRI	26W
35LM	3040LM @30K/90CRI	31W
40LM	3550LM @30K/90CRI	37W
Notes	Delivered lumens based on 25D optic with no lens, (see page 2)	

12° BEAM (Note: Specifications are subject to change without notice)		
10mm COB PERFORMANCE DATA		
LED LIGHT ENGINE	NOMINAL DELIVERED LUMENS	SYSTEM WATTAGE
10LM	810LM @30K/80CRI	9W
15LM	1580LM @30K/80CRI	17W
20LM	2010LM @30K/80CRI	23W
10LM	690LM @30K/90CRI	9W
15LM	1340LM @30K/90CRI	17W
20LM	1710LM @30K/90CRI	23W
Notes	Delivered lumens based on 12D optic no lens, (see page 2)	

8° BEAM (Note: Specifications are subject to change without notice)		
6mm COB PERFORMANCE DATA		
LED LIGHT ENGINE	NOMINAL DELIVERED LUMENS	SYSTEM WATTAGE
10LM	790LM @30K/80CRI	12W
15LM	1250LM @30K/80CRI	20W
10LM	670LM @30K/90CRI	12W
15LM	1060LM @30K/90CRI	20W
Notes	Delivered lumens based on 8D optic no lens, (see page 2)	



FEATURES

- 3/4" bezel regress with 1/16" micro flange
- 8° - 65° optical beam control
- UGR < 19
- Up to 110 LPW
- Glare control, specialty optics, trim options, and custom finishes available
- Microban® antimicrobial finish available on all exposed painted surfaces

DIMMING AND CONTROLS

- eldoLED flicker free 0-10V dimming to 0% and 1%
- eldoLED flicker free DALI dimming to 0% and 1%
- DMX dim to zero
- Lutron Hi-lume 1% 3-wire/Ecosystem
- Lutron athena wireless node
- Leading & trailing edge (Triac/ELV) dimming to 1%
- Casambi bluetooth dimming to 1.0%
- NLight control interface dimming to 0%

CONSTRUCTION

- Lexan™ (PC) highly resistant to impact and heat (240°F)
- Optimal material for wireless BLE signal connectivity
- Shatter proof acrylic bezel lens
- Electrocoated 16-gauge cold-rolled steel construction
- Accommodates ceiling thickness from 1/8" to 1-3/4"

LED

- 90 CRI: SDCM = 2-step MacAdam Ellipse, Lumen Maintenance: L₇₀ > 66,000 hrs
- 80 CRI: SDCM = 2-step MacAdam Ellipse, Lumen Maintenance: L₇₀ > 66,000 hrs

LISTING

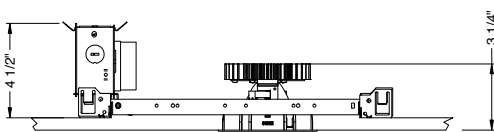
- ULus Listed to UL1598 & UL2108; cUL Listed to CSA C22.2 #250.0
- IP65 with lens - Suitable for wet locations with lens - Suitable for damp locations without lens
- Non-conductive, dead-front construction (shower approved)
- NSF/ANSI-2 with lens (Non-Food and Splash Zones)
- 5 Year Limited warranty

ELECTRICAL

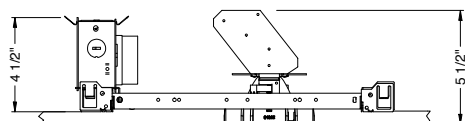
- 120V-277V, 120 only Triac / ELV
- Power factory ≥ 0.9
- 2kV driver input surge protection
- Remote and Integral (ITS) emergency test switch
- 7W, 10W (T20 CEC) and 12W EM 90min battery
- Max. ambient installation temperature 95°F (35°C)

FIXTURE HEIGHT

10LM - 30LM LOW LUMENS



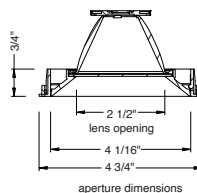
35LM - 40LM HIGH LUMENS



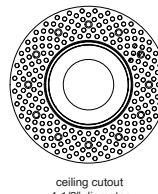
TRIMMED



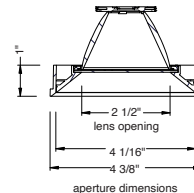
ceiling cutout
4-1/2" diameter
ceiling thickness
1/8" to 1 5/8"



TRIMLESS



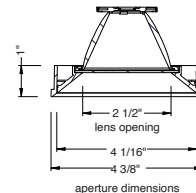
ceiling cutout
4-1/2" diameter
ceiling thickness
3/8" to 1 3/4"



MILLWORK



ceiling cutout
4-3/8" diameter
ceiling thickness
1/2" to 1 3/4"



alphabet

PROJECT INFORMATION		
JOB NAME		TYPE
ORDERING CODE		

8°- 65° BEAM ORDERING CODE

SERIES	NU4	NU4
TYPE	RD	round downlight
	RDT	round downlight trimless
	RDTMW	round downlight trimless millwork
LED	SW	standard white
DELIVERED LUMENS	10LM	990 lm
	15LM	1485 lm
	20LM	2095 lm
	25LM	2540 lm
	30LM	3090 lm
	35LM	3580 lm
	40LM	4180 lm
Standard Configuration: 3000K 80CRI 25D, NL Calculated Delivered Lumens = [Delivered Lumen Value] x [CCT Multiplier] x [Reflector Multiplier]		
CCT	27K	2700K
	30K	3000K
	35K	3500K
	40K	4000K
CRI	80	80 CRI
	90	90 CRI
OPTIC & LM MULTIPLIER SEE PAGE 5, 6	8D ¹	8 degrees (1.00)
	12D ¹	12 degrees (1.00)
	20D	20 degrees (0.99)
	25D	25 degrees (1.00)
	35D	35 degrees (0.99)
	50D	50 degrees (0.99)
	65D	65 degrees (0.99)
BEZEL LENS SEE PAGE 3	NL ²	no lens (1.00)
	CL	clear lens (0.98)
	DL	diffused lens (0.91)
	E ³	elliptical beam spread (0.92)
	HCL ⁴	honeycomb louver (0.85)
	HET	high efficiency textured lens, similar to Solite™ (0.92)
	SBL	smoothing beam lens (0.92)
Color lenses (amber, blue, green, red) see page 4.		
TRIM COLOR SEE PAGE 3	BK	black
	WH	white
	MC	matte chrome
	BZ	bronze
	WT	wheat
	CC ⁵	custom color, consult factory for details
Antimicrobial finish, add AM to black, white or matte chrome i.e. BKAM.		
Not applicable to trimless option. Do not include in trimless ordering code.		
BEZEL COLOR SEE PAGE 3	BK	black (0.98)
	WH	white (1.00)
	MC	matte chrome (0.99)
	BZ	bronze (0.98)
	WT	wheat (0.99)
	CC ⁵	custom color, consult factory for details
Antimicrobial finish, add AM to black, white or matte chrome i.e. BKAM.		

8°- 65° BEAM ORDERING CODE

MOUNTING OPTIONS SEE PAGE 8, 9	NC	new construction with ceiling fitting plate
	IC ⁶	insulation contact housing
	ICAT ⁶	insulation contact/airtight housing
	CP ⁶	chicago plenum housing
	RET	retrofit, no ceiling fitting plate
VOLTAGE	120	120V
	UNV	120V-277V
DIMMING	DIM10	eldoLED flicker free 0-10V dimming to 1%
	DIM10Z	eldoLED flicker free 0-10V dimming to 0%
	DALI	eldoLED flicker free DALI dimming to 1%
	DALIZ	eldoLED flicker free DALI dimming to 0%
	DMX-RJ45	DMX control dimming to 0.1% with RJ45 connection
	DMX-WL	DMX control dimming to 0.1% with wire lead connection
	DMX-XLR	DMX control dimming to 0.1% with XLR 5pin connection
	LUT	Lutron Hi-lume Ecosystem dimming to 1%, Soft-on & Fade-to-Black
	LUTP ⁷	Lutron Hi-lume Premier Ecosystem dimming to 0.1%, Soft-on & Fade-to-Black
	ELV1 ⁸	leading & trailing edge (Triac/ELV) dimming to 1%
NLT	nLight control interface: standard Cat-5/RJ45 connection (female), dim to off	
CAS	Casambi Bluetooth control with flicker free 1% dimming	
AWNR ⁹	lutron athena wireless node	
L3DA	Lutron Hi-lume 1% 3-wire/Ecosystem	
ELECTRICAL OPTIONS	EM7 ¹⁰	emergency battery backup, 90 minutes at 7W to LED
	EM12 ¹⁰	emergency battery backup, 90 minutes at 12W to LED
	EM10CA20 ¹⁰	remote emergency battery backup, 90 minutes at 10W to LED, CA title 20

ADDITIONAL MOUNTING INFO

New Construction Bar Hangers (included)	Mounting Length: 14-3/4" to 26"
Extension Kit p/n: K20266 (ordered separately, 1 per fixture)	Extends a pair of Bar Hangers Total Mounting Length: 29" to 48"

YOUR COMPLETED ORDERING CODE

Follow the steps to specify your fixture, example:
NU4 - RD - SW - 20LM - 35K - 90 - 8D - NL - WH - WH - NC - UNV - DIM10 - EM7

NOTES

- 8D/12D available in 10LM/15LM/20LM.
- NL option does not meet requirements for AT/DF/WET/NSF listings. Lensing cannot be added in the field.
- Elliptical lens not available with 8D/12D optic options. Actual beam distributions [20D= 35° x 60°, 25D= 40° x 65°, 35D= 45° x 70°, 55D= 55° x 80°]
- HCL not available with lens.
- Custom set up fee plus minimum quantity required per color.
- IC/ICAT/CP not available in 40LM.
- LUTP not available in 25LM/30LM/40LM.
- ELV1 (120V) not available in 10LM.
- AWNR reference page 11 for product specifications on Athena wireless node.
- For integrated test switch add "ITS" after emergency backup code, i.e. EM12ITS. Test switch is mounted in the bezel of the fixture.

* EldoLED and DMX uses logarithmic dimming curve as standard. For linear dimming curve, add "LIN" after dimming code, i.e. DIM10LIN.

alphabet

PROJECT INFORMATION		
JOB NAME		TYPE
ORDERING CODE		

TRIM OPTIONS

TRIM/BEZEL COLORS



OPTICAL OPTIONS

- UGR calculation based on CIE 117-1995; room size: 4H X 8H, reflectance: 70/50/20;
- UGR calculation based on 15LM fixtures, unless otherwise noted.

REFLECTOR OPTIC ACCESSORY Honeycomb Louver



OPTIC	BEAM ANGLE	UGR
8D	7.8	10.9
12D	11.3	23.5
20D	17.4	12.5
25D	22.2	13.9
35D	32.4	16.5
50D	44.9	13.4
65D	52	15.5

NL No Lens



OPTIC	BEAM ANGLE	UGR
8D	7.8	14.2
12D	11.9	13.8
20D	18	13.6
25D	22.8	13.1
35D	36.2	14.5
50D	49.2	18.3
65D	64.5	18.8

CL Clear Lens



OPTIC	BEAM ANGLE	UGR
8D	7.9	13.7
12D	12.1	13.3
20D	18	13.3
25D	22.8	12.8
35D	36.2	14.2
50D	49.2	18.1
65D	64.6	18.5

DL Diffused Lens



OPTIC	BEAM ANGLE	UGR
20D	39.4	19.5
25D	42.4	19.8
35D	50.6	20.8
50D	56.7	21.4
65D	66.7	23.3

HET High Efficiency Textured Lens



OPTIC	BEAM ANGLE	UGR
20D	22.5	13.8
25D	27	14
35D	38.8	15.8
50D	49.8	16.5
65D	60.4	19.5

SBL Smoothing Beam Lens



OPTIC	BEAM ANGLE	UGR
8D	10.2	12.8
12D	13.2	12.9
20D	19.3	13
25D	24.3	13.1
35D	37.2	14.8
50D	51.2	15.6
65D	62.2	18.8

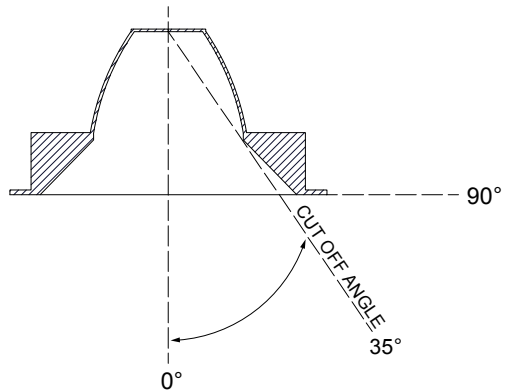
GLARE CONTROL

CUT-OFF ANGLE

Visual comfort is achieved with a lower cut-off angle due to improved glare control. The smaller the cut-off angle, the easier it is on the eye.

Alphabet downlights have been thoughtfully engineered to eliminate glare while still delivering functional illumination.

- Cutoff angle of CL is 35 degrees;



alphabet

PROJECT INFORMATION		
JOB NAME		TYPE
ORDERING CODE		

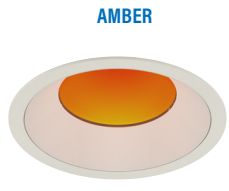
TRIM OPTIONS

TRIM/BEZEL COLORS



OPTICAL OPTIONS

- UGR calculation based on CIE 117-1995; room size: 4H X 8H, reflectance: 70/50/20;
- UGR calculation based on 15LM fixtures, unless otherwise noted.



AMBER

OPTIC	MULTIPLIER	BEAM SPREAD
20D	0.485	18°
25D	0.484	22°
35D	0.485	35°
50D	0.48	50°
65D	0.473	60°

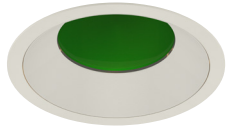
AVERAGE LUMENS: 2000LM 1880 CCT



RED

OPTIC	MULTIPLIER	BEAM SPREAD
20D	0.04	18°
25D	0.04	22°
35D	0.04	35°
50D	0.04	50°
65D	0.038	60°

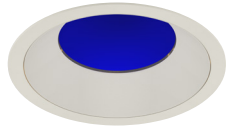
AVERAGE LUMENS: 168LM



GREEN

OPTIC	MULTIPLIER	BEAM SPREAD
20D	0.202	18°
25D	0.202	22°
35D	0.204	35°
50D	0.2	50°
65D	0.196	60°

AVERAGE LUMENS: 850LM



BLUE

OPTIC	MULTIPLIER	BEAM SPREAD
20D	0.051	18°
25D	0.051	22°
35D	0.053	35°
50D	0.05	50°
65D	0.049	60°

AVERAGE LUMENS: 210LM

Add AM / BL / GR / RD to bezel lens ordering code section.
 Example: NU4 - RD - SW - 10LM - 30K - 80 - 35D - BL - WH - WH - NC - UNV - DIM

alphabet

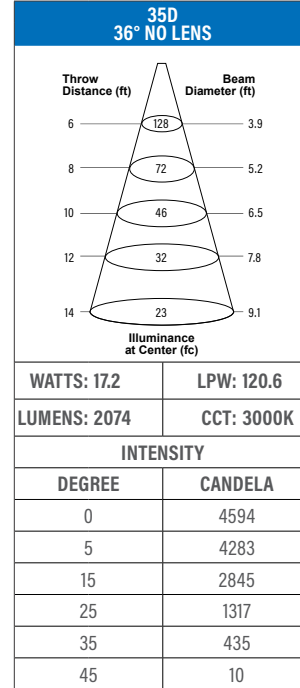
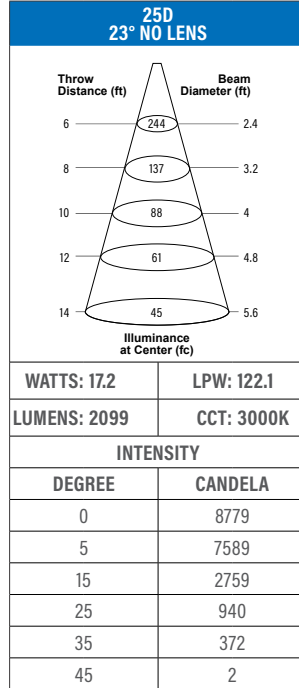
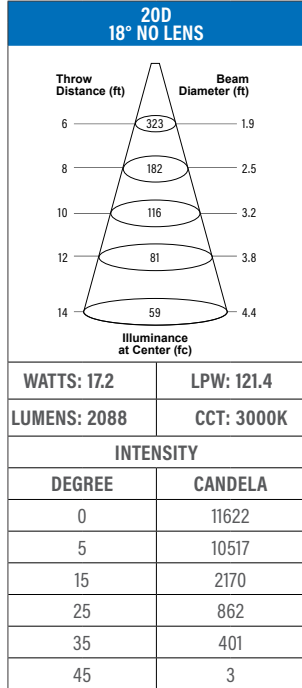
PROJECT INFORMATION		
JOB NAME		TYPE
ORDERING CODE		

PHOTOMETRIC DATA

20LM CCT MULTIPLIERS

	80CRI	90CRI
2700K	0.96	0.81
3000K	1	0.85
3500K	1.03	0.88
4000K	1.06	0.91

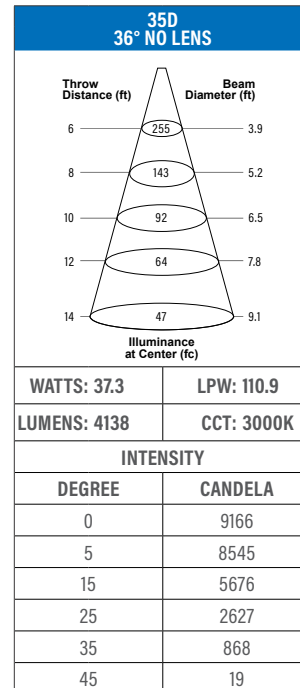
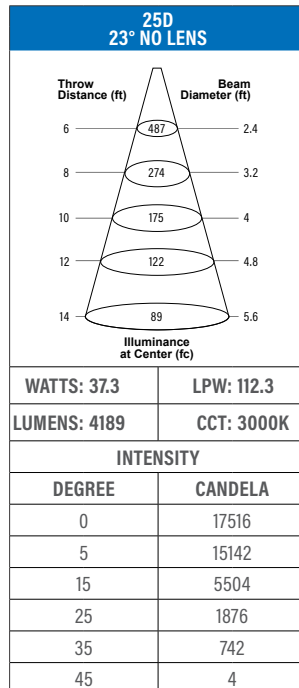
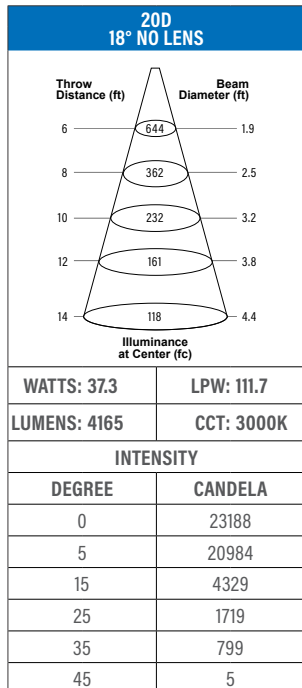
FC Formula = CBCP / Distance²



40LM CCT MULTIPLIERS

	80CRI	90CRI
2700K	0.96	0.81
3000K	1	0.85
3500K	1.03	0.88
4000K	1.06	0.91

FC Formula = CBCP / Distance²



alphabet

PROJECT INFORMATION		
JOB NAME		TYPE
ORDERING CODE		

PHOTOMETRIC DATA

20LM CCT MULTIPLIERS		
	80CRI	90CRI
2700K	0.96	0.81
3000K	1	0.85
3500K	1.03	0.88
4000K	1.06	0.91
FC Formula = CBCP / Distance ²		

50D 49° NO LENS	
Throw Distance (ft)	Beam Diameter (ft)
6	9.0
8	5.1
10	3.3
12	2.3
14	1.7
Illuminance at Center (fc)	
WATTS: 17.2	LPW: 121.2
LUMENS: 2085	CCT: 3000K
INTENSITY	
DEGREE	CANDELA
0	3253
5	3231
15	2606
25	1591
35	450
45	13

65D 65° NO LENS	
Throw Distance (ft)	Beam Diameter (ft)
6	5.9
8	3.3
10	2.1
12	1.5
14	1.1
Illuminance at Center (fc)	
WATTS: 17.2	LPW: 120.9
LUMENS: 2080	CCT: 3000K
INTENSITY	
DEGREE	CANDELA
0	2103
5	2101
15	1990
25	1520
35	779
45	144

40LM CCT MULTIPLIERS		
	80CRI	90CRI
2700K	0.96	0.81
3000K	1	0.85
3500K	1.03	0.88
4000K	1.06	0.91
FC Formula = CBCP / Distance ²		

50D 49° NO LENS	
Throw Distance (ft)	Beam Diameter (ft)
6	180
8	102
10	65
12	45
14	33
Illuminance at Center (fc)	
WATTS: 37.3	LPW: 111.5
LUMENS: 4160	CCT: 3000K
INTENSITY	
DEGREE	CANDELA
0	6491
5	6446
15	5200
25	3175
35	898
45	25

65D 65° NO LENS	
Throw Distance (ft)	Beam Diameter (ft)
6	117
8	66
10	42
12	29
14	21
Illuminance at Center (fc)	
WATTS: 37.3	LPW: 111.2
LUMENS: 4150	CCT: 3000K
INTENSITY	
DEGREE	CANDELA
0	4195
5	4191
15	3971
25	3033
35	1555
45	288

alphabet

PROJECT INFORMATION		
JOB NAME		TYPE
ORDERING CODE		

PHOTOMETRIC DATA

10LM CCT MULTIPLIERS		
	80CRI	90CRI
2700K	0.96	0.81
3000K	1	0.85
3500K	1.03	0.88
4000K	1.06	0.91
FC Formula = CBCP / Distance ²		

8D 7.8° NO LENS	
Throw Distance (ft)	Beam Diameter (ft)
6	562
8	316
10	202
12	140
14	103
Illuminance at Center (fc)	
WATTS: 12	LPW: 66
LUMENS: 792	CCT: 3000K
INTENSITY	
DEGREE	CANDELA
0	20223
5	6477
15	368
25	287
35	170
45	0

12D 12° NO LENS	
Throw Distance (ft)	Beam Diameter (ft)
6	266
8	150
10	96
12	66
14	49
Illuminance at Center (fc)	
WATTS: 8.7	LPW: 92.8
LUMENS: 807	CCT: 3000K
INTENSITY	
DEGREE	CANDELA
0	9574
5	6065
15	532
25	299
35	155
45	0

20LM CCT MULTIPLIERS		
	80CRI	90CRI
2700K	0.96	0.81
3000K	1	0.85
3500K	1.03	0.88
4000K	1.06	0.91
FC Formula = CBCP / Distance ²		

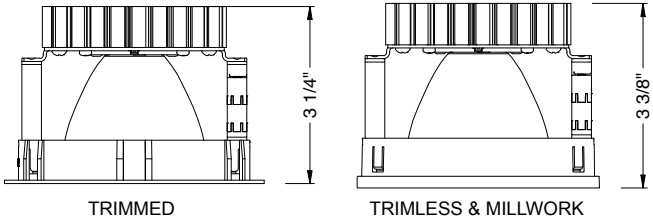
8D 7.8° NO LENS	
Throw Distance (ft)	Beam Diameter (ft)
6	885
8	498
10	319
12	221
14	163
Illuminance at Center (fc)	
WATTS: 20	LPW: 62.4
LUMENS: 1248	CCT: 3000K
INTENSITY	
DEGREE	CANDELA
0	31866
5	10206
15	579
25	452
35	269
45	1

12D 12° NO LENS	
Throw Distance (ft)	Beam Diameter (ft)
6	520
8	293
10	187
12	130
14	96
Illuminance at Center (fc)	
WATTS: 17	LPW: 92.9
LUMENS: 1579	CCT: 3000K
INTENSITY	
DEGREE	CANDELA
0	18725
5	11861
15	1041
25	585
35	303
45	0

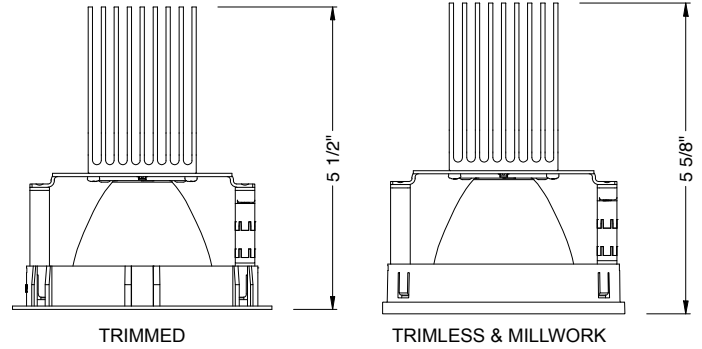
PROJECT INFORMATION		
JOB NAME		TYPE
ORDERING CODE		

MOUNTING OPTIONS

FIXTURE HEIGHT 10M - 30LM CONFIGURATION

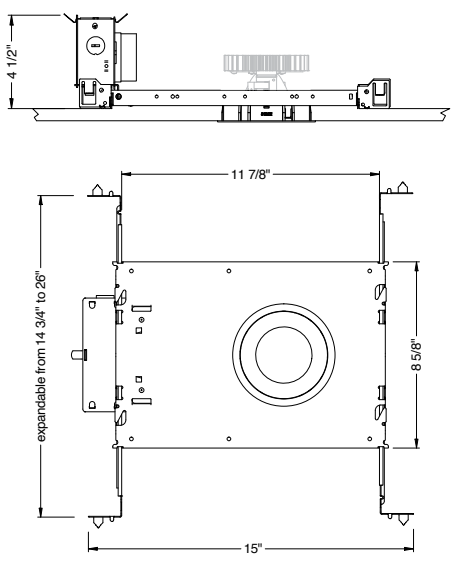


35M - 40LM CONFIGURATION

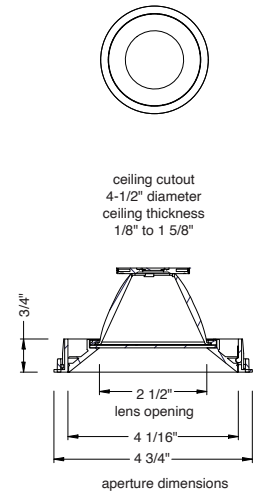


NC - NEW CONSTRUCTION

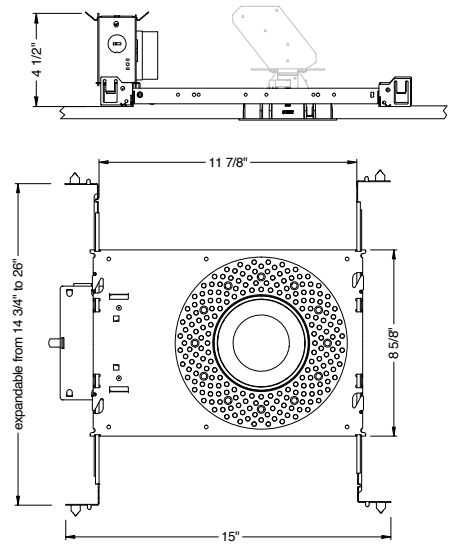
TRIM



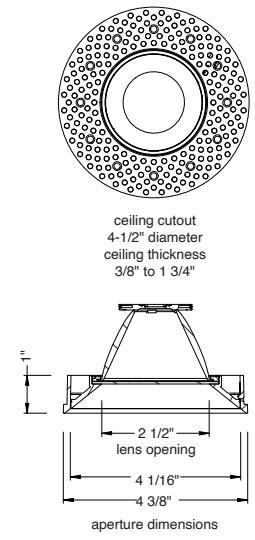
TRIM



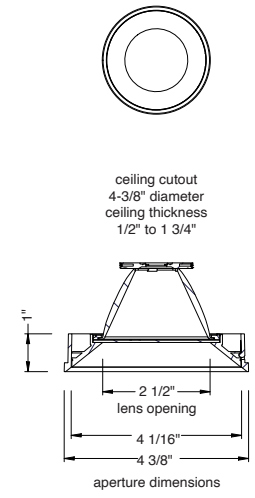
TRIMLESS



TRIMLESS



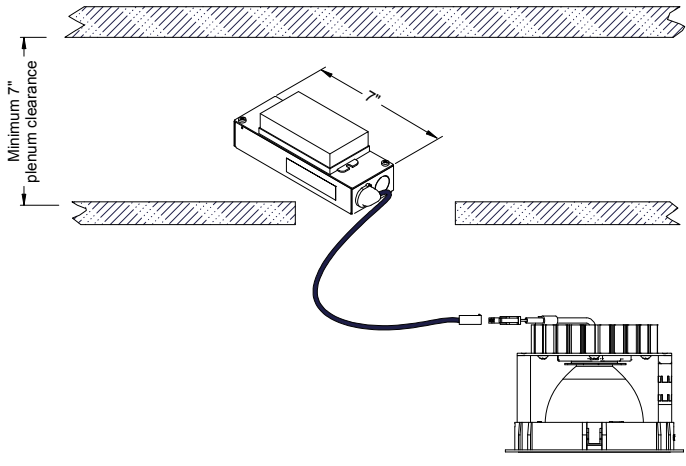
TRIMLESS/MILLWORK



PROJECT INFORMATION		
JOB NAME		TYPE
ORDERING CODE		

MOUNTING OPTIONS (CONTINUED)

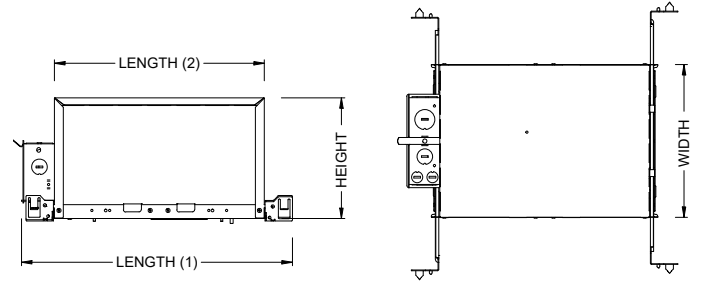
RET - RETRO TRIM/TRIMLESS



RATINGS / CERTIFICATIONS	NC	RET	IC	ICAT	CP
TYPE NON-IC	✓	✓			
TYPE IC			✓	✓	✓
CHICAGO PLENUM (CCEA)					✓
SUITABLE FOR AIR HANDLING PLENUMS	✓	✓	✓	✓	✓
REDUCED AIRFLOW (WITH LENS) ASTM E283	✓	✓	✓	✓	✓

CEILING THICKNESS	
FIXTURE TYPE	MOUNTING TYPE
	STANDARD CEILING THICKNESS
TRIM	1/8" to 1-5/8"
TRIMLESS	3/8" to 1-3/4"
MILLWORK (TRIMLESS)	1/2" to 1-3/4"

IC - INSULATION CONTACT HOUSING ICAT - INSULATION CONTACT / AIR TIGHT CP - CHICAGO PLENUM



BOX SIZE	L 1	L 2	W	H
A	15 - 7/16"	11 - 3/4"	8 - 1/2"	6 - 3/4"
B	18 - 1/4"	14 - 7/8"	12 - 1/8"	11 - 1/4"

BOX TYPE / LUMEN OUTPUT - NARROW BEAM (8°-12°)						
LUMEN OUTPUT	BOX - A			BOX - B		
	IC	ICAT	CP	IC	ICAT	CP
10LM	✓	✓	✓			
15LM	✓	✓	✓			
20LM				✓	✓	✓

BOX TYPE / LUMEN OUTPUT - STANDARD BEAMS (20° - 65°)						
LUMEN OUTPUT	BOX - A			BOX - B		
	IC	ICAT	CP	IC	ICAT	CP
10LM	✓	✓	✓			
15LM	✓	✓	✓			
20LM	✓	✓	✓			
25LM	✓	✓	✓			
30LM	✓	✓	✓			
35LM				✓	✓	✓
40LM						

PROJECT INFORMATION		
JOB NAME		TYPE
ORDERING CODE		

BATTERY OPTIONS

EMERGENCY BATTERY

IOTA's ILB Battery Backups are UL Listed LED emergency drivers that allow the same LED fixture to be used for both normal and emergency operation. In the event of a power failure, the ILB switches to the emergency mode and operates the existing fixture for 90 minutes. The unit contains a battery, charger, and converter circuit in a single can. The Constant Power design of the ILB maintains the output wattage to the LED array even as the system voltage diminishes. UL 924 Listed for U.S. and Canada. UL 1310 Certified, Output Class 2 Compliant. Includes single-piece TBTS test switch and charge indicator accessory kit. For use with switched and unswitched fixtures, and includes Two-wire universal AC input. Meets or exceeds all National Electric Code and Life Safety Code Emergency Lighting Requirements. Rated for use in Plenum, Damp Location, Recessed Type IC, and Enclosed and Gasketed Luminaires.

REMOTE TEST SWITCH

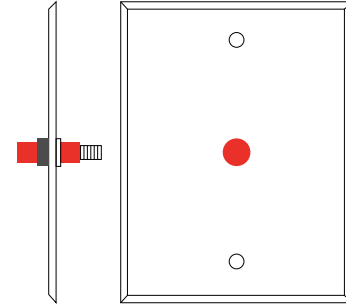
The Remote Test Switch may be mounted adjacent to the LED Fixture by others.

EMERGENCY BATTERY ACCESS

Above ceiling access is required for service. An access panel in the ceiling (or other form of access) adjacent to the installation location of the Emergency Battery is required.

REMOTE LOCATION

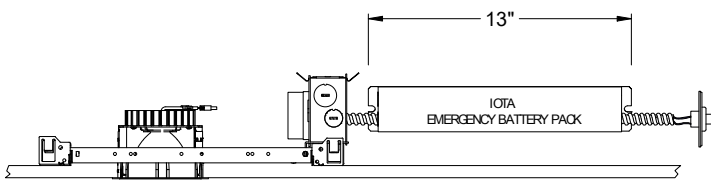
Maximum remote mounting distance of the emergency driver shall be 50 feet. Remote location wiring provided by others. Follow all Local and National Electric/ Building Codes.



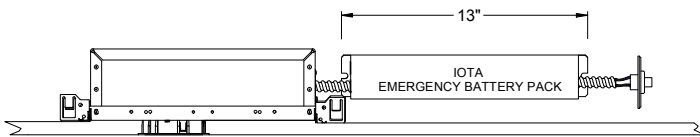
Remote Test Switch

EM MODE OUTPUT (DELIVERED LUMENS)			
LUMEN ORDERING CODE	EM7	EM10	EM12
ALL OPTIONS (10LM TO 30LM)	820LM	1200LM	1480LM
Notes: Based on 30K, 80CRI			

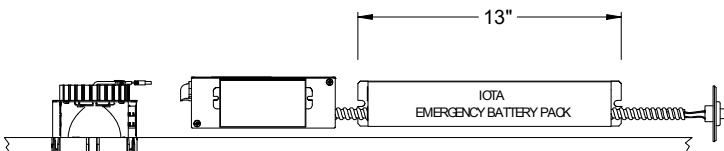
NC - NEW CONSTRUCTION WITH EM BATTERY (REMOTE TEST SWITCH)



IC / ICAT / CP - INSULATION CONTACT HOUSING WITH EM BATTERY (REMOTE TEST SWITCH)

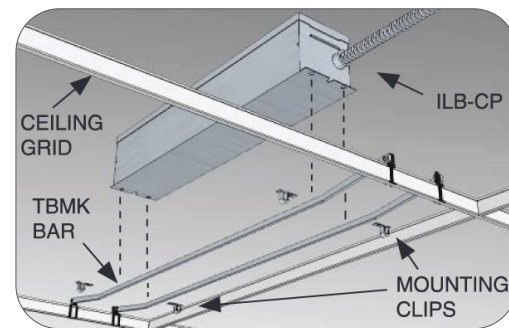


RET - RETROFIT WITH EM BATTERY (REMOTE TEST SWITCH)



Accessory

76066 Optional T-Grid Mounting Kit¹



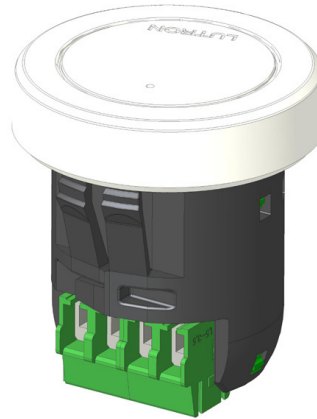
1. Can be used with any of the Emergency Battery Backups. Must be ordered as a separate line item.

PROJECT INFORMATION		
JOB NAME		TYPE
ORDERING CODE		

AWNDR OPTIONS

Athena Wireless Node

The Athena wireless node is a radio frequency (RF) device that enables simple, digital control of individual light fixtures in an Athena control system.



Athena Wireless Node RF

AWNDR

Plenum rated and can be installed above the ceiling for wireless control of a fixture without any impact on fixture aesthetics.

FEATURES

- Enables individual, wireless control of each fixture in an Athena control system. Accommodates zone and control changes without rewiring.
- Installed at factory – no wiring required on-site. Fixture is ready to communicate wirelessly once power is connected.
- All drivers on the link are controlled as a single zone.

REGULATORY APPROVALS

- cULus Listed (UL916)
- Complies with requirements for use in other spaces used for environmental air (plenums) per NEC® 2014 300.22(C)(3).
- FCC compliant with the limits for a Class B digital device.
- IC (Industry Canada)
- ANSI C137.1 0-10 V- Electronic Off

POWER / LOAD

- IEC SELV/NEC® Class 2
- 1 Watt

ENVIRONMENTAL

- Ambient operating temperature (immediate vicinity of Athena wireless node): **32 °F to 131 °F** (0 °C to 55 °C), 0% to 90% humidity.

BATTERY OPTIONS

- For EM options please consult factory.

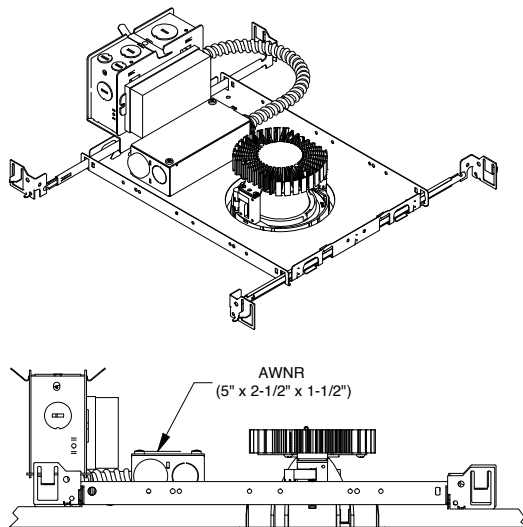
Note: Default behavior prior to programming

- Light level 100%
- Athena wireless node performs an unprogrammed startup sequence on every power up until the device is added to an Athena system.
- Each Athena wireless node should be installed within 25 ft (7.62 m) of two or more Athena wireless nodes or other Clear Connect – Type X devices.
- For Chicago plenum installations, the Athena wireless node may not be installed in the plenum space. It must be installed in the occupied space.

For servicing the driver/j-box, access above ceiling is required. (NC Mounting)

IC/ICAT/CP not available in AWNR.

NC - NEW CONSTRUCTION



RET - RETRO FIT

