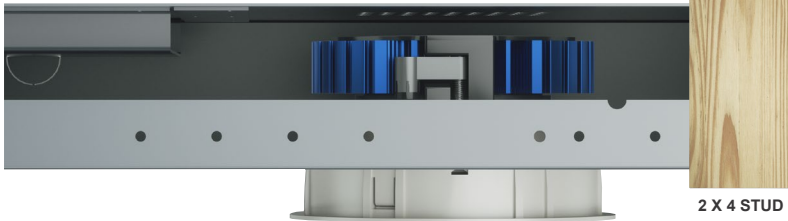


NU4

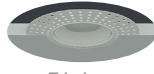
4" Round Downlight Stud



2 X 4 STUD



Trim



Trimless



Trimless Millwork



DESCRIPTION

NU STUD is offered in 4" round or square as trimless or as micro-trim install. It is a mere 2-1/4" above the ceiling with an IC enclosure box and a 5/8" standard ceiling thickness (housing height is adjustable for ceiling thickness). With a generous 1" regress bezel trim and microstructure lens, STUD is aesthetically pleasing with trim color options. 5 year fixture warranty.

HOUSING

Electrocoated 20-gauge cold-rolled steel provides enhanced structural reinforcement and rust prevention. Superior, UL-certified, injection-molded commercial-grade Lexan™ (PC) is used for the frame and regressed bezel trim. Lexan provides unmatched durability and impact resistance, and is tested for UV resistance and water exposure in outdoor applications. The thermally-advanced, anodized heat sink uses 6063 aluminum alloy.

MOUNTING

An advanced mounting system allows for quick and secure installation with LED and driver serviceability from below the ceiling. The LED assembly uses die-cast aluminum mounting clamp grips (MCG) that swing out to tighten onto variable ceiling thicknesses. Integrated rubber feet on each MCG provide a non-slip vibration-resistant installation. The hidden MCG system is accessible from below ceiling by removing the snap-in lens/bezel assembly with either the included suction cup or a screwdriver blade. Integrated bar hangers feature integral toothed nails, T-bar mounting slots with locking holes, tabs for joist positioning. No risk damaging LED or bezel assembly during installation, these are installed during last steps. Fixture and driver are easily removed for servicing after install without damaging drywall.

MOUNTING DIMENSIONS	CEILING THICKNESS	CEILING CUTOUT
Trim	5/8" to 1-1/4"	4-3/8" diameter
Trimless	5/8" to 1-1/4"	4-1/2" diameter
Millwork (Trimless)	5/8" to 1-1/4"	4-3/8" diameter

Bar Hangers (included)	Mounting Length: 14-3/4" to 26"
Extension Kit p/n: K20266 (ordered separately, 1 per fixture)	Extends a pair of Bar Hangers Total Mounting Length: 29" to 48"

LISTINGS

- ETLus Listed to UL 1598, cETL Listed to CSA C22.2 #250.0
- IP65 with lens - Suitable for wet locations with lens
- Non-conductive, Lexan dead-front construction
- Made in the USA - meets the requirements of the Buy American provision within the ARRA

RATINGS / CERTIFICATIONS	STD	IC	ICAT	CP
Type non-IC	✓			
Type IC		✓	✓	✓
Chicago Plenum (CCEA)				✓
Suitable for air handling plenums			✓	✓
Reduced airflow (with lens) ASTM E283	✓	✓	✓	✓

LED INFO

- Standard COB (Nichia 219C):
- 80/90 CRI: SDCM = 2-step MacAdam Ellipse, Lumen Maintenance: L₇₀ > 50,000 hrs

PROJECT INFORMATION		
JOB NAME		TYPE
ORDERING CODE		

ORDERING CODE

SERIES	NU4	
TYPE	RDSTUD	round downlight
	RDTSTUD	round downlight trimless
	RDTSTUDMW	round downlight trimless millwork
LED	SW standard white (Nichia 219C LED)	
DELIVERED LUMENS	07LM	528 lm
	10LM	766 lm
	13LM	971 lm
	15LM	1121 lm
	20LM ¹	1496 lm
Standard Configuration: 3000K 80CRI		
CCT	27K	2700K
	30K	3000K
	35K	3500K
	40K	4000K
		CCT MULTIPLIER FOR LUMEN OUTPUT
		0.96 0.81 1.00 0.84 1.01 0.85 1.03 0.87
CRI	80	80 CRI
	90	90 CRI
REFLECTOR	GH85	85° glare control high efficiency diffused lens
VOLTAGE	120	120V
	277	277V
	UNV	120V-277V
DIMMING	DIM10	eldoLED flicker free 0-10V dimming to 1%
	DIM10Z	eldoLED flicker free 0-10V dimming to 0%
	DALI	eldoLED flicker free DALI dimming to 1%
	DALIZ	eldoLED flicker free DALI dimming to 0%
	DMXZ	DMX dim to zero
ELV ²	leading & trailing edge dimming (Triac/ELV)	
MOUNTING OPTIONS	STD	standard non-IC housing
	IC ³	insulation contact housing
	ICAT ³	insulation contact/airtight housing
	CP	chicago plenum housing
TRIM COLOR	BK	black
	WH	white
	MC	matte chrome
	BZ	bronze
	WT	wheat
Not applicable to trimless option. Do not include in trimless ordering code.		
BEZEL COLOR	BK	black
	WH	white
	MC	matte chrome
	BZ	bronze
	WT	wheat

ORDERING CODE

Follow the steps to specify your fixture, example:

NU4 - RDSTUD - SW - 10LM - 35K - 90 - GH85 - 120 - DIM10 - STD - WH - BK

SW (LED)	POWER
DELIVERED LM	W (80/90 CRI)
528	9
766	12
971	16
1121	19
1496	26

NOTES

1. 20LM available in 120V and 277V only.
2. Triac/ELV dimmable to < 1%, available in 120V only.
3. IC/ICAT not available in 15LM/20LM.

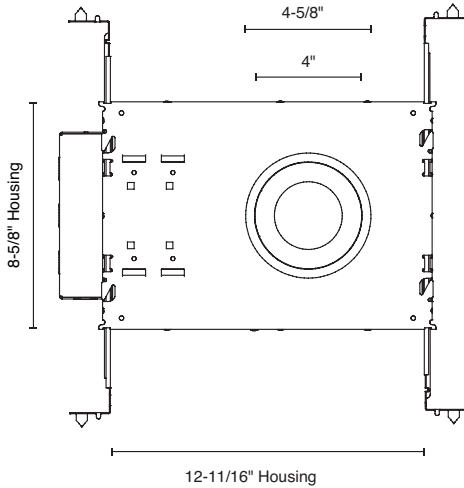
^{*} EdoLED and DMX driver uses logarithmic dimming curve as standard. For linear dimming curve add "LIN" after dimming code, i.e. DIM10LIN.

PROJECT INFORMATION		
JOB NAME		TYPE
ORDERING CODE		

MOUNTING OPTIONS

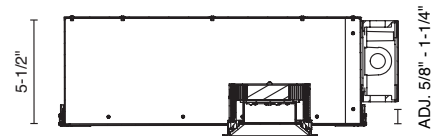
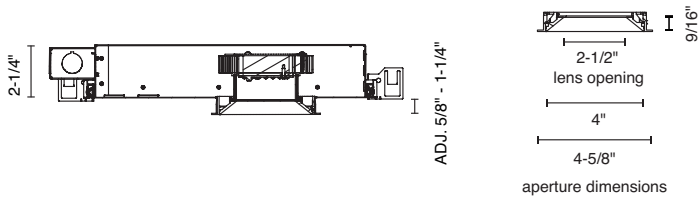
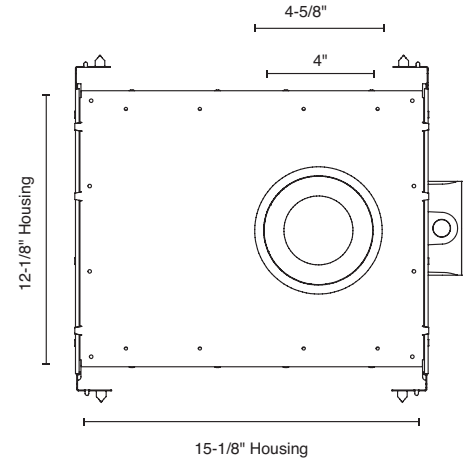
STD - STANDARD NON-IC HOUSING IC - INSULATION CONTACT

- STD & IC meet ASTM E283 Air-Tight Requirements.
- IC available for 07LM, 10LM, and 13LM Lumen options.

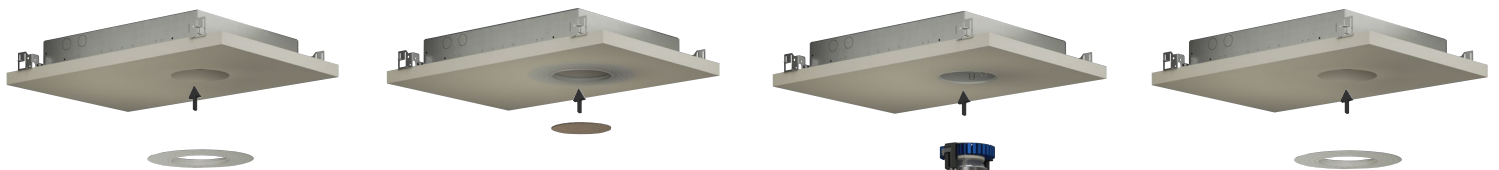


ICAT - INSULATION CONTACT/AIR TIGHT CP - CHICAGO PLENUM

- ICAT & CP are suitable for active air handling plenums, and meet ASTM E283 Air-Tight Requirements.
- CP meets City of Chicago Environmental Air Requirements.
- ICAT not available in 20LM Lumen option.
- CP available for all Lumen options.



TRIMLESS OPTION



1. Fasten mud frame to ceiling.

2. Insert protective cover (included).
Apply joint compound over the mud frame.

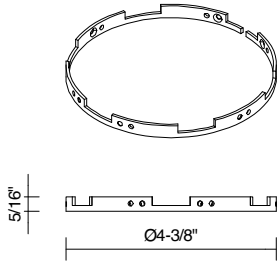
3. Install LED assembly.

4. Install bezel.

PROJECT INFORMATION		
JOB NAME		TYPE
ORDERING CODE		

MOUNTING OPTIONS (CONTINUED)

RDTSTUDMW – MILLWORK TRIMLESS



Millwork Mounting Bracket

NOTES

- 1 Ceiling cutout 4-3/8".
- 2 Millwork Mounting Bracket & Mounting Screws are included with each Luminaire.
- 3 One Plastic Spacer and two C-Clamps are included with each order.
- 4 Refer to Installation Instructions for further details.



1. Insert Millwork Mounting Bracket using the included Plastic Spacer for proper depth positioning.



2. Use the included C-Clamps to temporarily hold the Plastic Spacer in position. Fasten the included wood screws into the Mounting Bracket using a right-angle impact driver (supplied by others).



3. Remove Plastic Spacer.



4. Install Luminaire.



5. Insert Bezel to finish the installation.

