

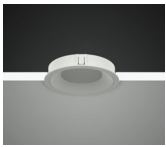
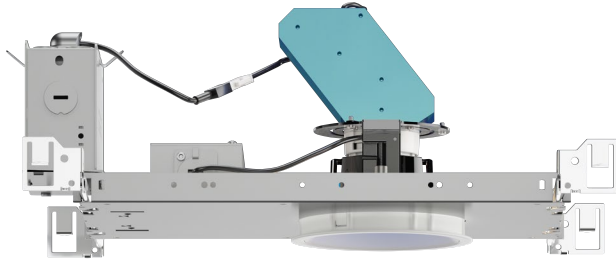
| PROJECT INFORMATION | | |
|---------------------|--|------|
| JOB NAME | | TYPE |
| ORDERING CODE | | |

NU4

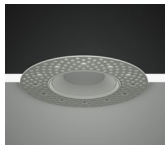
4" Round Downlight RGBW



| 25° - 50° BEAM (Note: Specifications are subject to change without notice) | | |
|---|--|----------------|
| 22mm COLOR TUNING MODULE PERFORMANCE DATA | | |
| LED LIGHT ENGINE | NOMINAL DELIVERED LUMENS | SYSTEM WATTAGE |
| 10LM | 1000LM @30K/90CRI | 25W |
| Notes | Delivered lumens based on 25D optic with no lens, (see page 2) | |



Trim



Trimless



Trimless Millwork

FEATURES

- RGB (W) five white CCT options available.
- On-board, closed-loop optical feedback measures the lumen depreciation of each channel and re-balances the color model to ensure color consistency over the life of LED array.
- 20° - 50° optical beam control
- UGR <5
- Microban® antimicrobial finish available on all exposed painted surfaces

LED

- Lumiled LUXEON C Color Line
- SDCM = 2-step MacAdam Ellipse, Duv +/- 0.002, Lumen Maintenance: L₇₀ > 50,000 hrs

DIMMING AND CONTROLS

- DMX512-A-RDM control, 8 bit channel control with 256 grey bit scale
- BLE mesh network control, profile allows color mixing on Casambi app

LISTING

- ULus Listed to UL1598 & UL2108; cUL Listed to CSA C22.2 #250.0
- IP65 with lens - Suitable for wet locations with lens - Suitable for damp locations without lens
- Non-conductive, dead-front construction (shower approved)
- NSF/ANSI-2 with lens (Non-Food and Splash Zones)
- 5 Year Limited warranty

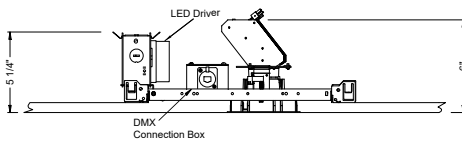
CONSTRUCTION

- Lexan™ (PC) highly resistant to impact and heat (240°F)
- Optimal material for wireless BLE signal connectivity
- Shatter proof acrylic bezel lens
- Electrocoated 16-gauge cold-rolled steel construction
- Accommodates ceiling thickness from 1/8" to 1-3/4"

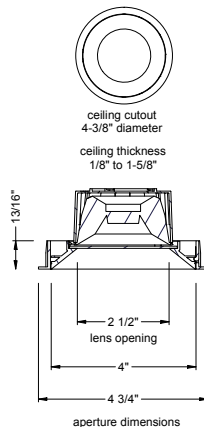
ELECTRICAL

- 120-277VAC 50/60Hz input
- Power factor > 0.9
- Max ambient temperature 50°C
- Battery Backup not offered. Emergency Generator/Inverter/Controls-Override Device supplied by others.

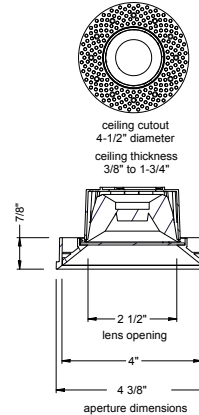
FIXTURE HEIGHT



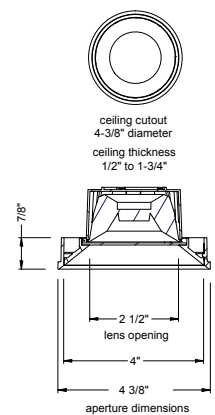
TRIMMED



TRIMLESS



MILLWORK



alphabet

| PROJECT INFORMATION | | |
|---------------------|--|------|
| JOB NAME | | TYPE |
| ORDERING CODE | | |

25°- 50° BEAM ORDERING CODE

| 25°- 50° BEAM ORDERING CODE | | |
|--|---|---|
| SERIES | NU4 | NU4 |
| TYPE | RD | round downlight |
| | RDT | round downlight trimless |
| | RDTMW | round downlight trimless millwork |
| LED | RGBW | 4 channel color module |
| DELIVERED LUMENS | 10LM | 1017 lm |
| | Calculated Delivered Lumens = [Delivered Lumen Value] x [CCT Multiplier] x [Optic Multiplier] | |
| WHITE CCT | 27K | RGBW with white at 2700K |
| | 30K | RGBW with white at 3000K |
| | 35K | RGBW with white at 3500K |
| | 43K | RGBW with white at 4300K |
| | 65K | RGBW with white at 6500K |
| CRI | 90 | 90 CRI |
| OPTIC & LM MULTIPLIER SEE PAGE 3 | 25D | 25 degrees (1.00) |
| | 30D | 30 degrees (0.98) |
| | 35D | 35 degrees (0.98) |
| | 50D | 50 degrees (0.92) |
| BEZEL LENS SEE PAGE 3 | NL¹ | no lens (1.00) |
| | CL | clear lens (1.00) |
| TRIM COLOR SEE PAGE 3 | BK | black |
| | WH | white |
| | MC | matte chrome |
| | BZ | bronze |
| | WT | wheat |
| | CC² | custom color, consult factory for details |
| Not applicable to trimless option. Do not include in trimless ordering code. | | |
| Antimicrobial finish, add AM to black, white or matte chrome i.e. BKAM. | | |
| BEZEL COLOR SEE PAGE 3 | BK | black |
| | WH | white |
| | MC | matte chrome |
| | BZ | bronze |
| | WT | wheat |
| | CC² | custom color, consult factory for details |
| Antimicrobial finish, add AM to black, white or matte chrome i.e. BKAM. | | |

25°- 50° BEAM ORDERING CODE

| 25°- 50° BEAM ORDERING CODE | | |
|--|-------------------------|--|
| MOUNTING OPTIONS SEE PAGE 5, 6 | NC | new construction with ceiling fitting plate |
| | IC³ | insulation contact housing |
| | ICAT³ | insulation contact/airtight housing |
| | CP³ | chicago plenum housing |
| | RET | retrofit, no ceiling fitting plate |
| VOLTAGE | UNV | 120V-277V |
| DIMMING | DMX-RJ45 | DMX control dimming to 0.1% with RJ45 connection |
| | DMX-XLR | DMX control dimming to 0.1% with XLR 5pin connection |
| | DMX-WL | DMX control dimming to 0.1% with wire lead connection |
| | CAS | Casambi Bluetooth control with flicker free 1% dimming |

ADDITIONAL MOUNTING INFO

| | |
|---|--|
| New Construction Bar Hangers (included) | Mounting Length: 14-3/4" to 26" |
| Extension Kit p/n: K20266 (ordered separately, 1 per fixture) | Extends a pair of Bar Hangers Total Mounting Length: 29" to 48" |

YOUR COMPLETED ORDERING CODE

| |
|---|
| Follow the steps to specify your fixture, example: |
| NU4-RD-RGBW-10LM-30K-90-25D-CL-BK-BK-NC-UNV-DMX-RJ45 |

NOTES

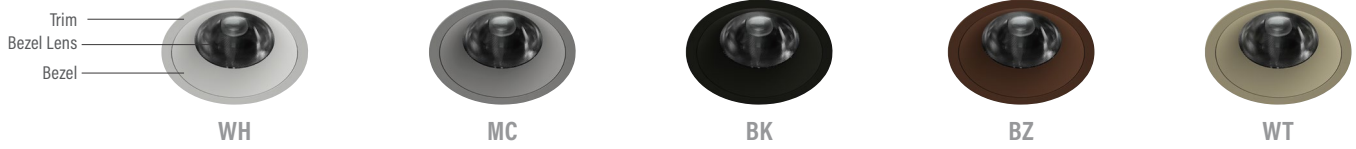
- NL option does not meet requirement for ST/DF/WET/NSF listing.
- Custom set up fee plus minimum quantity required per color.
- For servicing DMX cable, access above the ceiling is required.

alphabet

| PROJECT INFORMATION | | |
|---------------------|--|------|
| JOB NAME | | TYPE |
| ORDERING CODE | | |

TRIM OPTIONS

TRIM/BEZEL COLORS



OPTICAL OPTIONS



| OPTIC | BEAM ANGLE | UGR |
|-------|------------|------|
| 25D | 27.4 | ≤5 |
| 30D | 29.7 | ≤5 |
| 35D | 34.2 | 6.5 |
| 50D | 49.3 | 12.2 |



| OPTIC | BEAM ANGLE | UGR |
|-------|------------|------|
| 25D | 27.4 | ≤5 |
| 30D | 29.7 | ≤5 |
| 35D | 34.2 | 6.5 |
| 50D | 49.3 | 12.2 |

PHOTOMETRIC DATA

NU4-RD-RGBW-10LM-30K-90-XXD-NL-WH-WH

25D
27° NO LENS, SA BEZEL

| Throw Distance (ft) | Beam Diameter (ft) |
|---------------------|--------------------|
| 6 | 10.5 |
| 8 | 5.9 |
| 10 | 3.8 |
| 12 | 2.6 |
| 14 | 1.9 |

ILLUMINANCE at Center (fc)

| | |
|--------------|------------|
| WATTS: 25.7 | LPW: 39.7 |
| LUMENS: 1020 | CCT: 3000K |

| INTENSITY | |
|-----------|---------|
| DEGREE | CANDELA |
| 0 | 3796 |
| 5 | 3467 |
| 15 | 1631 |
| 25 | 407 |
| 35 | 82 |
| 45 | 16 |

30D
30° NO LENS, WHITE BEZEL

| Throw Distance (ft) | Beam Diameter (ft) |
|---------------------|--------------------|
| 6 | 9.2 |
| 8 | 5.2 |
| 10 | 3.3 |
| 12 | 2.3 |
| 14 | 1.7 |

ILLUMINANCE at Center (fc)

| | |
|--------------|------------|
| WATTS: 25.7 | LPW: 39 |
| LUMENS: 1001 | CCT: 3000K |

| INTENSITY | |
|-----------|---------|
| DEGREE | CANDELA |
| 0 | 3321 |
| 5 | 3079 |
| 15 | 1639 |
| 25 | 435 |
| 35 | 71 |
| 45 | 16 |

35D
34° NO LENS, WHITE BEZEL

| Throw Distance (ft) | Beam Diameter (ft) |
|---------------------|--------------------|
| 6 | 7.2 |
| 8 | 4.1 |
| 10 | 2.6 |
| 12 | 1.8 |
| 14 | 1.3 |

ILLUMINANCE at Center (fc)

| | |
|--------------|------------|
| WATTS: 25.7 | LPW: 39.1 |
| LUMENS: 1004 | CCT: 3000K |

| INTENSITY | |
|-----------|---------|
| DEGREE | CANDELA |
| 0 | 2601 |
| 5 | 2445 |
| 15 | 1519 |
| 25 | 585 |
| 35 | 99 |
| 45 | 17 |

50D
49° NO LENS, WHITE BEZEL

| Throw Distance (ft) | Beam Diameter (ft) |
|---------------------|--------------------|
| 6 | 3.7 |
| 8 | 2.1 |
| 10 | 1.3 |
| 12 | 0.9 |
| 14 | 0.7 |

ILLUMINANCE at Center (fc)

| | |
|-------------|------------|
| WATTS: 25.7 | LPW: 36.6 |
| LUMENS: 940 | CCT: 3000K |

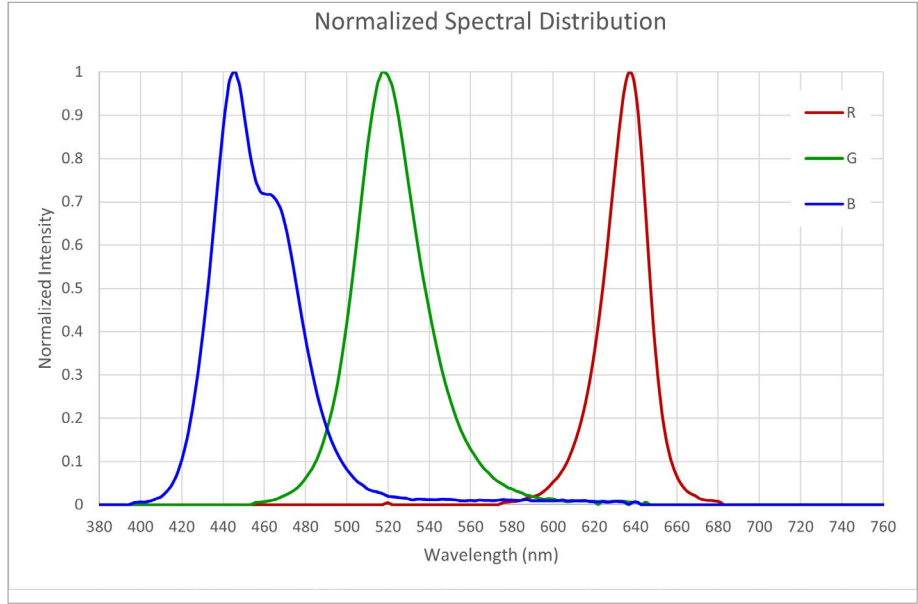
| INTENSITY | |
|-----------|---------|
| DEGREE | CANDELA |
| 0 | 1322 |
| 5 | 1299 |
| 15 | 1080 |
| 25 | 643 |
| 35 | 243 |
| 45 | 56 |

| PROJECT INFORMATION | | |
|---------------------|--|------|
| JOB NAME | | TYPE |
| ORDERING CODE | | |

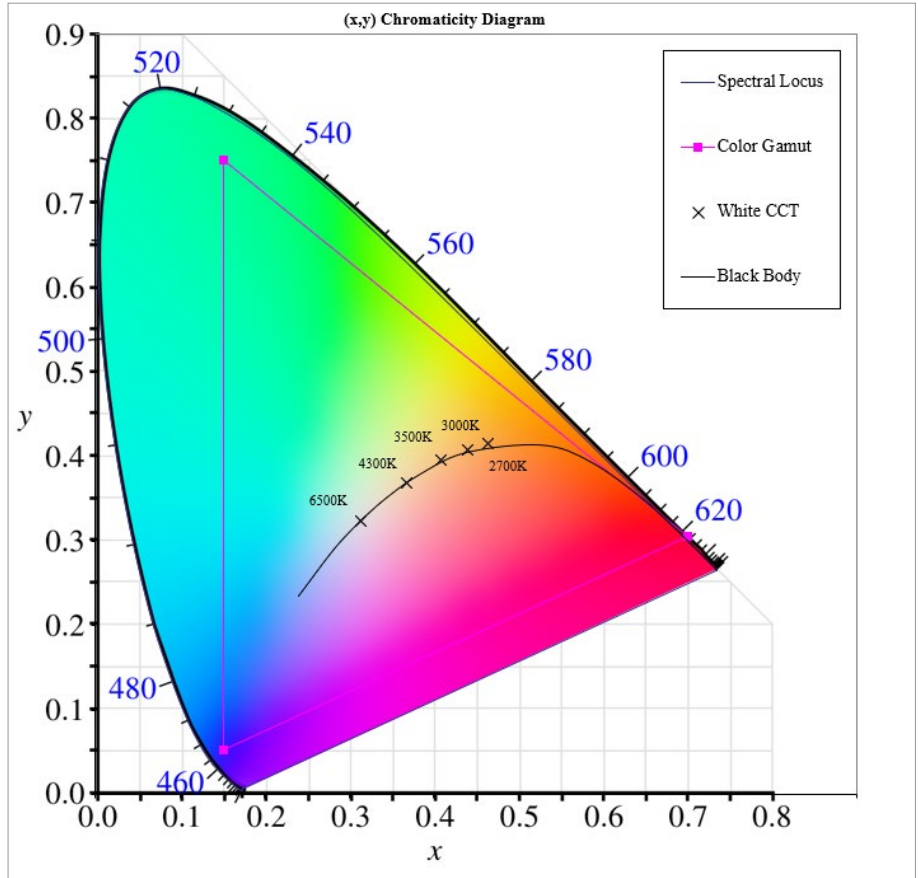
RGBW DATA

| DOMINANT WAVELENGTH | |
|---------------------|----------|
| | MEASURED |
| R | 623.9 |
| G | 524.2 |
| B | 461.9 |

RGB SPECTRAL PLOT



COLOR GAMUT PLOT

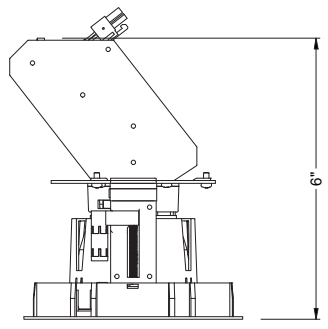


alphabet

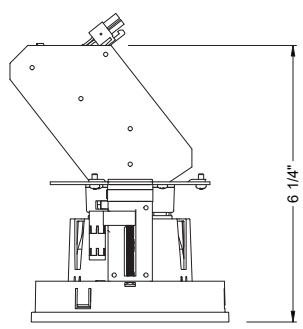
| PROJECT INFORMATION | | |
|---------------------|------|--|
| JOB NAME | TYPE | |
| ORDERING CODE | | |

MOUNTING OPTIONS

FIXTURE HEIGHT



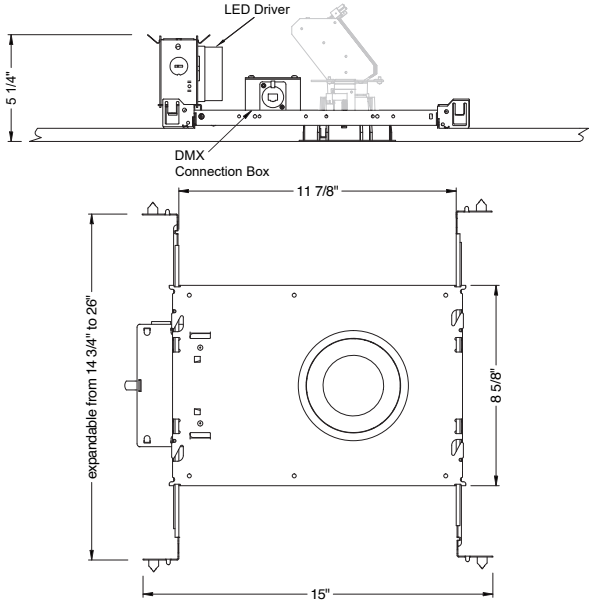
TRIMMED



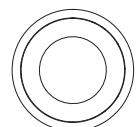
TRIMLESS & MILLWORK

NC - NEW CONSTRUCTION

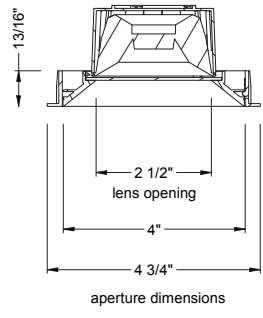
TRIM



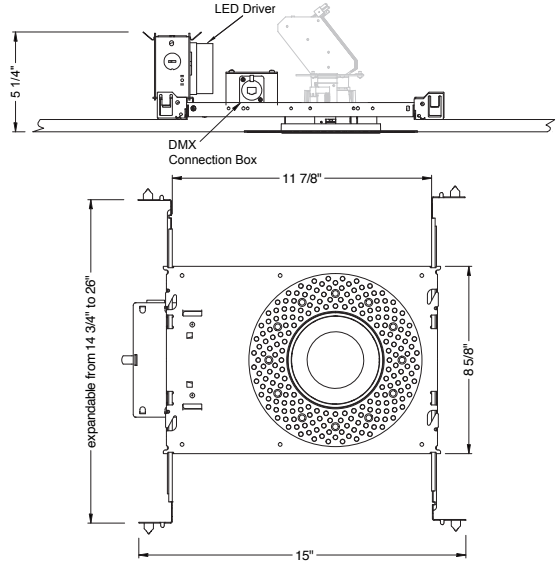
TRIM



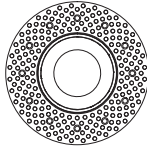
ceiling cutout
4-3/8" diameter
ceiling thickness
1/8" to 1-5/8"



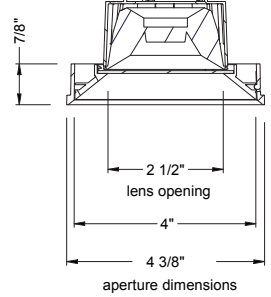
TRIMLESS



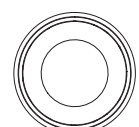
TRIMLESS



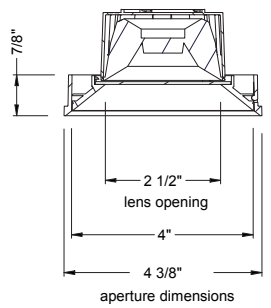
ceiling cutout
4-1/2" diameter
ceiling thickness
3/8" to 1-3/4"



TRIMLESS/MILLWORK



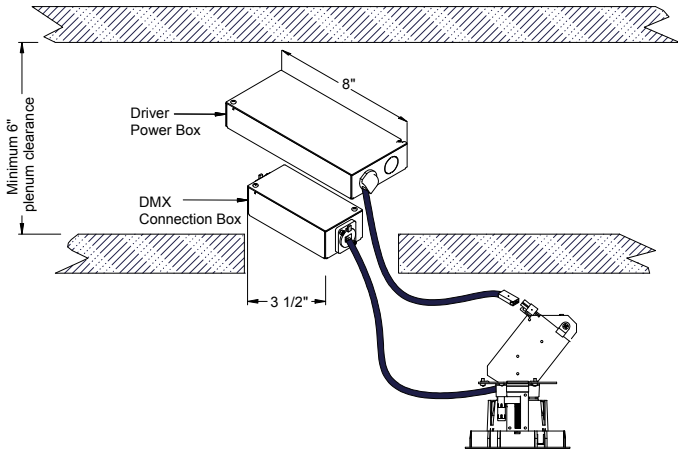
ceiling cutout
4-3/8" diameter
ceiling thickness
1/2" to 1-3/4"



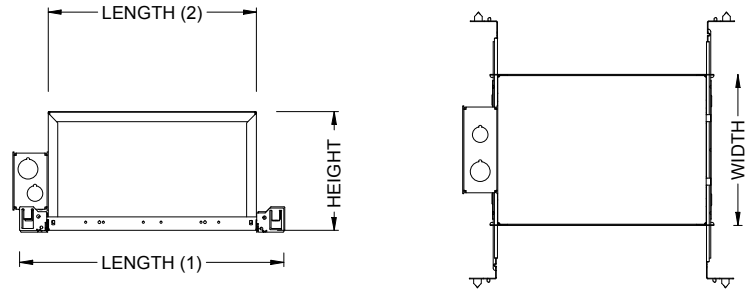
| PROJECT INFORMATION | | |
|---------------------|------|--|
| JOB NAME | TYPE | |
| ORDERING CODE | | |

MOUNTING OPTIONS (CONTINUED)

RET - RETRO TRIM/TRIMLESS



IC - INSULATION CONTACT HOUSING ICAT - INSULATION CONTACT / AIR TIGHT CP - CHICAGO PLENUM



| BOX SIZE | L 1 | L 2 | W | H |
|----------|------------|-----------|----------|----------|
| A | 15 - 7/16" | 11 - 3/4" | 8 - 1/2" | 6 - 3/4" |

| RATINGS / CERTIFICATIONS | NC | RET | IC | ICAT | CP |
|---------------------------------------|----|-----|----|------|----|
| TYPE NON-IC | ✓ | ✓ | | | |
| TYPE IC | | | ✓ | ✓ | ✓ |
| CHICAGO PLENUM (CCEA) | | | | | ✓ |
| SUITABLE FOR AIR HANDLING PLENUMS | ✓ | ✓ | ✓ | ✓ | ✓ |
| REDUCED AIRFLOW (WITH LENS) ASTM E283 | ✓ | ✓ | ✓ | ✓ | ✓ |

| BOX TYPE / LUMEN OUTPUT - STANDARD BEAMS (35° - 50°) | | | |
|--|---------|----|------|
| LUMEN OUTPUT | BOX - A | | |
| | CP | IC | ICAT |
| 10LM | ✓ | ✓ | ✓ |

| CEILING THICKNESS | |
|---------------------|----------------------------|
| FIXTURE TYPE | MOUNTING TYPE |
| | |
| | STANDARD CEILING THICKNESS |
| TRIM | 1/8" to 1-5/8" |
| TRIMLESS | 3/8" to 1-3/4" |
| MILLWORK (TRIMLESS) | 1/2" to 1-3/4" |