

JOB NAME \_\_\_\_\_

CONTACT \_\_\_\_\_

ORDERING CODE \_\_\_\_\_

## ORDERING CODE



# NU4" Round Downlight Liteoptics Xicato



NU4RD Optic CQR

NU4RD Optic DPR

### DESCRIPTION

The NU4RD LiteOptics 4" recessed downlight by ALPHABET offers multiple cutting edge LED technologies, premium performance, thoughtful construction and pleasing aesthetics. Offered standard with premium dimming using EldoLED 1% flicker free drivers 120V-277V universal voltage. A minimalistic look is achieved with an ultrathin 1/16" trim that is only 5/16" wide. Complimented by premium, UV stabilized, evenly diffused PMMA optic. Several beam angles and LiteOptics available, plus an optional high-efficiency BrightView diffused lens for smooth light distribution and obscured LED image.

### HOUSING

Electrocoated 16-gauge cold-rolled steel provides enhanced structural reinforcement and rust prevention. Superior, UL-certified, injection-molded commercial-grade Lexan™ (PC) is used for the frame and regressed bezel trim. Lexan provides unmatched durability and impact resistance, and is tested for UV resistance and water exposure in outdoor applications. The thermally-advanced, anodized heat sink uses 6063 aluminum alloy. Wet location rated is offered standard. A 90-minute constant-power IOTA emergency battery backup is available.

### MOUNTING

An advanced mounting system allows for quick and secure installation with LED and driver serviceability from below the ceiling. The LED assembly uses die-cast aluminum mounting clamp grips (MCG) that swing out to tighten onto variable ceiling thicknesses. Integrated rubber feet on each MCG provide a non-slip vibration-resistant installation. The hidden MCG system is accessible from below ceiling by removing the snap-in lens/bezel assembly with either the included suction cup or a screwdriver blade. Integrated bar hangers feature integral toothed nails, T-bar mounting slots with locking holes, tabs for joist positioning. Retrofit mounting option allows for installation from below ceiling by use of compact driver box. No risk damaging LED or bezel assembly during installation, these are installed during last steps. Fixture and driver are easily removed for servicing after install without damaging drywall.

MOUNTING DIMENSIONS	CEILING THICKNESS	CEILING CUTOUT	New Construction Bar Hangers (included)	Mounting Length: 14-3/4" to 26"
Trim	1/8" to 1-5/8"	4-3/8" diameter	Extension Kit p/n: K20266 (ordered separately, 1 per fixture)	Extends a pair of Bar Hangers Total Mounting Length: 29" to 48"

### LISTINGS

- ETLus Listed to UL1598, cETL Listed to CSA C22.2 #250.0
- IP65 with lens - Suitable for wet locations with lens - Suitable for damp locations without lens
- Non-conductive, Lexan dead-front construction
- Made in the USA - meets the requirements of the Buy American provision within the ARRA

RATINGS / CERTIFICATIONS	NC	RET	IC	ICAT	CP
Type non-IC	✓	✓			
Type IC			✓	✓	✓
Chicago Plenum (CCEA)					✓
Suitable for air handling plenums				✓	✓
Reduced airflow (with lens) ASTM E283	✓	✓	✓	✓	✓

### LED INFO

- SDCM = 1x2 MacAdam Ellipse, Duv +/- 0.001, Lumen Maintenance: L<sub>90</sub> > 55,000 hrs

SERIES	NU4	
TYPE	RD	round downlight
LED	XTM19	Xicato XTM 19mm
DELIVERED LUMENS	07LM 10LM 13LM 20LM 30LM	630 lm 820 lm 1230 lm 1850 lm 2460 lm
CCT	27K 30K 35K 40K	2700K 3000K 3500K 4000K
CRI	83 98 <sup>1</sup>	83 CRI 98 CRI
LITEOPTIC & LM MULTIPLIER	CQR-S20 CQR-HE40 DPR-S20 DPR-HE40 EXAMPLE	20° CIRQUE RING with clear lens (1.00) 40° CIRQUE RING with diffused lens (0.83) 20° DROP RING with clear lens (0.97) 40° DROP RING with diffused lens (0.83) "CQR-S20"@ "20LM" = 1850lm x (1.00) = 1850lm
VOLTAGE	120 UNV	120V 120V-277V
DIMMING	DIM10 <sup>4</sup> DIM10Z <sup>4</sup> DALI <sup>4</sup> DALIZ <sup>4</sup> DMXZ LTE <sup>5</sup> LUT <sup>5</sup>  LUTP <sup>7</sup> ELV <sup>5</sup>	eldoLED flicker free 0-10V dimming to 1% eldoLED flicker free 0-10V dimming to 0% eldoLED flicker free DALI dimming to 1% eldoLED flicker free DALI dimming to 0% DMX dim to zero Lutron Hi-lume 2-Wire (Triac) dimming to 1% Lutron Hi-lume Ecosystem dimming to 1%, Soft-on & Fade-to-Black Lutron Hi-lume Premier Ecosystem dimming to 0.1%, Soft-on & Fade-to-Black leading & trailing edge dimming (Triac/ELV)
MOUNTING OPTIONS	NC IC <sup>2</sup> ICAT <sup>2</sup> CP <sup>2</sup> RET	new construction with ceiling fitting plate insulation contact housing insulation contact/airtight housing chicago plenum housing retrofit, no ceiling fitting plate
TRIM COLOR	BK WH MC BZ WT	black white matte chrome bronze wheat
ELECTRICAL OPTIONS	EM7 EM12 <sup>3</sup>	emergency battery backup, 90 minutes at 7W to LED emergency battery backup, 90 minutes at 12W to LED

ORDERING CODE \_\_\_\_\_

Follow the steps to specify your fixture, example:  
**NU4 - RD - XTM19 - 13LM - 35K - 98 - CQR - S20 - 120 - DIM10 - NC - WH - EM7**

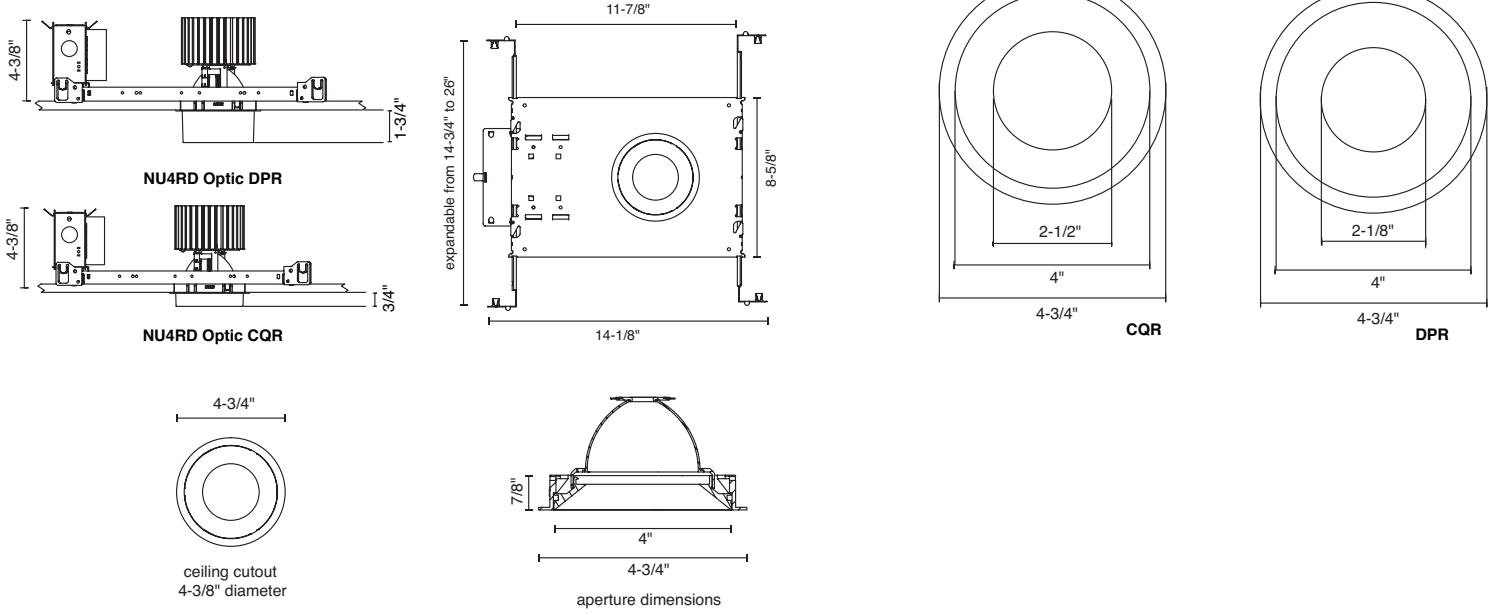
XTM19 (LED)	POWER	
	DELIVERED LM	W (83 CRI)
630	13	16
820	17	21
1230	26	33
1850	37	43
2460	49	N/A

### Power Factor ≥ 0.9

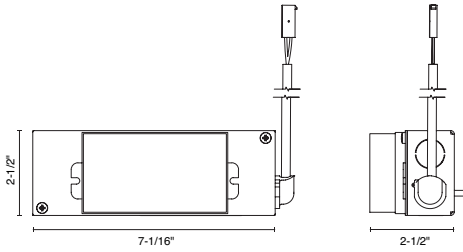
- NOTES**
1. 98CRI not available for 30LM.
  2. IC/ICAT/CP not available for 98CRI in 20LM or 83/98CRI in 30LM.
  3. EM12 not available for 83CRI in 07LM, 10LM or 13LM.
  4. Driver uses logarithmic dimming curve as standard. For linear dimming curve add "LIN" after dimming code, i.e. DIM10LIN.
  5. Triac/ELV dimming available for 83/98CRI in 10LM, 13LM, 20LM, & 83CRI only in 20LM. Dimmable to < 10% in 10LM, 13LM. Dimmable to < 1% in 20LM.
  6. LTE/LUT not available in 30LM.
  7. LUTP not available in 13LM, 20LM or 30LM.

## MOUNTING OPTIONS

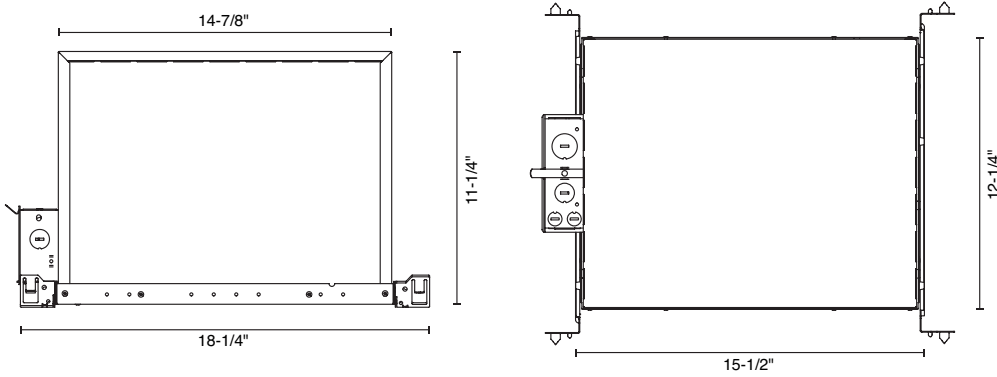
### NC - NEW CONSTRUCTION



### RET - RETROFIT



### IC - INSULATION CONTACT HOUSING



### CP - CHICAGO PLENUM ICAT - INSULATION CONTACT / AIR TIGHT

