

JOB NAME \_\_\_\_\_

CONTACT \_\_\_\_\_

ORDERING CODE \_\_\_\_\_

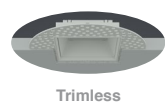
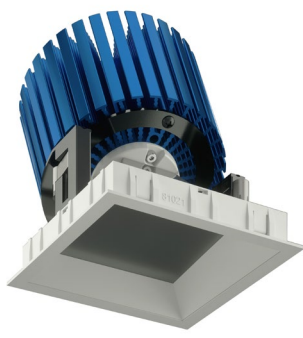


## NU4" Square Wall Wash Xicato

**XICATO**



**eldoLED**  
your product | our drive



**DESCRIPTION**

The NU4QW 4" recessed wall wash by ALPHABET offers multiple cutting edge LED technologies, premium performance, thoughtful construction and pleasing aesthetics. Offered standard with premium dimming using EldoLED 1% flicker free drivers 120V-277V universal voltage. An asymmetric reflector with a highly-efficient BrightView angle-bending lens produces excellent wall washing with no scalloping.

For the trim version, a minimalistic look is achieved with an ultrathin 1/16" trim that is only 5/16" wide. Color choices of both trim and bezel are offered for a customized look. For the trimless version, a perforated, mud up, regressed trim assembly provides for clean, trim free installation. A perforated mud frame's integrated lip helps guide the joint compound creating a sharp and clean opening.

**HOUSING**

Electrocoated 16-gauge cold-rolled steel provides enhanced structural reinforcement and rust prevention. Superior, UL-certified, injection-molded commercial-grade Lexan™ (PC) is used for the frame and regressed bezel trim. Lexan provides unmatched durability and impact resistance, and is tested for UV resistance and water exposure in outdoor applications. The thermally-advanced, anodized heat sink uses 6063 aluminum alloy. Wet location rated is offered standard. A 90-minute constant-power IOTA emergency battery backup is available.

**MOUNTING**

An advanced mounting system allows for quick and secure installation with LED and driver serviceability from below the ceiling. The LED assembly uses die-cast aluminum mounting clamp grips (MCG) that swing out to tighten onto variable ceiling thicknesses. Integrated rubber feet on each MCG provide a non-slip vibration-resistant installation. The hidden MCG system is accessible from below ceiling by removing the snap-in lens/bezel assembly with either the included suction cup or a screwdriver blade. Integrated bar hangers feature integral toothed nails, T-bar mounting slots with locking holes, tabs for joist positioning. Retrofit mounting option allows for installation from below ceiling by use of compact driver box. No risk damaging LED or bezel assembly during installation, these are installed during last steps. Fixture and driver are easily removed for servicing after install without damaging drywall.

MOUNTING DIMENSIONS	CEILING THICKNESS	CEILING CUTOUT
Trim	1/8" to 1-1/4"	4-1/4" square
Trimless	3/8" to 1-3/4"	4-1/2" square
Millwork (Trimless)	5/8" to 1-3/4"	4-1/4" square

New Construction Bar Hangers (included)	Mounting Length: 14-3/4" to 26"
Extension Kit p/n: K20266 (ordered separately, 1 per fixture)	Extends a pair of Bar Hangers Total Mounting Length: 29" to 48"

- LISTINGS**
- ETLus Listed to UL 1598, cETL Listed to CSA C22.2 #250.0
  - IP65 with lens - Suitable for wet locations with lens - Suitable for damp locations without lens
  - Non-conductive, Lexan dead-front construction
  - Made in the USA - meets the requirements of the Buy American provision within the ARRA

RATINGS / CERTIFICATIONS	NC	RET	IC	ICAT	CP
Type non-IC	✓	✓			
Type IC			✓	✓	✓
Chicago Plenum (CCEA)					✓
Suitable for air handling plenums				✓	✓
Reduced airflow (with lens) ASTM E283	✓	✓	✓	✓	✓

**LED INFO**

- SDCM = 1X2 MacAdam Ellipse, Duv +/- 0.001, Lumen Maintenance: L<sub>90</sub> > 55,000 hrs

### XICATO XTM MODULE - ORDERING CODE

SERIES	NU4	
TYPE	QW QWT QWTMW	square wall wash square wall wash trimless square wall wash trimless millwork
LED	XTM19	Xicato XTM 19mm
DELIVERED LUMENS	07LM 10LM 13LM 20LM 30LM 40LM	560 lm 770 lm 1030 lm 1530 lm 2445 lm 3290 lm
CCT	27K 30K 35K 40K	2700K 3000K 3500K 4000K
CRI	83 98 <sup>1</sup>	83 CRI 98 CRI
REFLECTOR	WW	wall wash with diffused angle bending lens
VOLTAGE	120 UNV	120V 120V-277V
DIMMING	DIM10 <sup>4</sup> DIM10Z <sup>4</sup> DALI <sup>4</sup> DALIZ <sup>4</sup> DMXZ LTE <sup>5</sup> LUT <sup>5</sup>	eldoLED flicker free 0-10V dimming to 1% eldoLED flicker free 0-10V dimming to 0% eldoLED flicker free DALI dimming to 1% eldoLED flicker free DALI dimming to 0% DMX dim to zero Lutron Hi-lume 2-Wire (Triac) dimming to 1% Lutron Hi-lume Ecosystem dimming to 1%, Soft-on & Fade-to-Black Lutron Hi-lume Premier Ecosystem dimming to 0.1%, Soft-on & Fade-to-Black leading & trailing edge dimming (Triac/ELV)
MOUNTING OPTIONS	NC IC <sup>2</sup> ICAT <sup>2</sup> CP <sup>2</sup> RET	new construction with ceiling fitting plate insulation contact housing insulation contact/airtight housing chicago plenum housing retrofit, no ceiling fitting plate
TRIM COLOR	BK WH MC BZ WT	black white matte chrome bronze wheat Not applicable to trimless option. Do not include in trimless ordering code.
BEZEL COLOR	BK WH MC BZ WT	black white matte chrome bronze wheat
ELECTRICAL OPTIONS	EM7 EM12 <sup>3</sup>	emergency battery backup, 90 minutes at 7W to LED emergency battery backup, 90 minutes at 12W to LED

**ORDERING CODE** \_\_\_\_\_

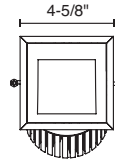
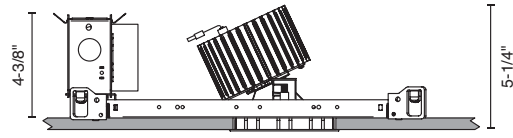
Follow the steps to specify your fixture, example:  
**NU4 - QW - XTM19 - 13LM - 35K - 98 - WW - 120 - DIM10 - NC - WH - WH - EM7**

XTM19 (LED)	POWER	
	W (83 CRI)	W (98 CRI)
DELIVERED LM		
560	8	10
770	11	13
1030	14	18
1530	21	28
2445	34	42
3290	46	N/A

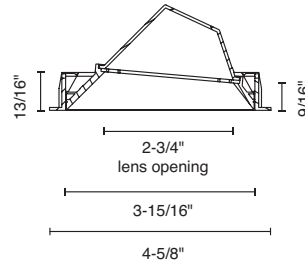
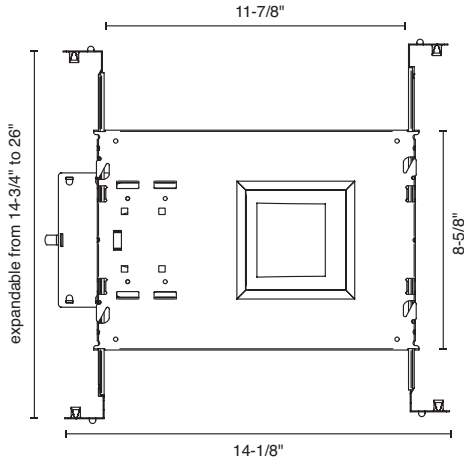
- Power Factor ≥ 0.9
- NOTES**
- 98CRI not available for 40LM.
  - IC/ICAT/CP not available for 98CRI in 30LM or 83/98CRI in 40LM.
  - EM12 not available for 83CRI in 07LM, 10LM or 13LM.
  - Driver uses logarithmic dimming curve as standard. For linear dimming curve add "LIN" after dimming code, i.e. DIM10LIN.
  - Triac/ELV dimming available for 83/98CRI in 10LM, 13LM, 20LM, & 83CRI only in 30LM. Dimmable to < 10% in 10LM, 13LM, 120V only. Dimmable to < 1% in 20LM, 30LM.
  - LTE/LUT not available in 40LM.
  - LUTP not available in 20LM, 30LM, or 40LM.

## MOUNTING OPTIONS

### NC - NEW CONSTRUCTION TRIM

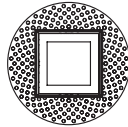
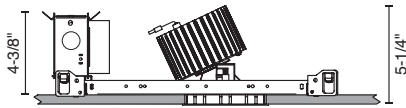


ceiling cutout  
4-1/4" square

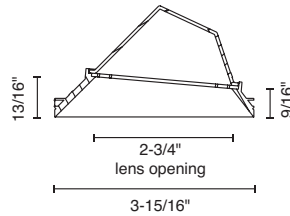
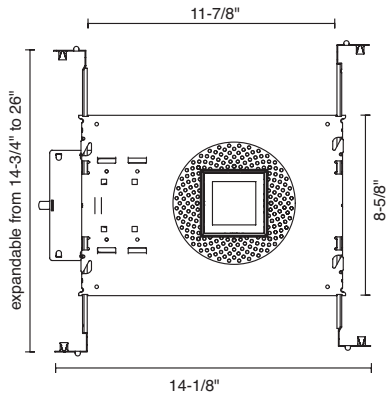


aperture dimensions

### NC - NEW CONSTRUCTION TRIMLESS



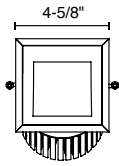
ceiling cutout  
4-1/2" square



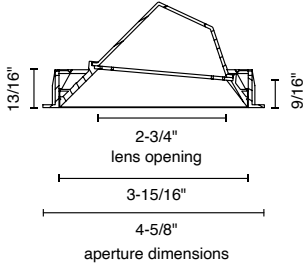
aperture dimensions

## MOUNTING OPTIONS (CONTINUED)

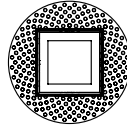
### TRIMMED



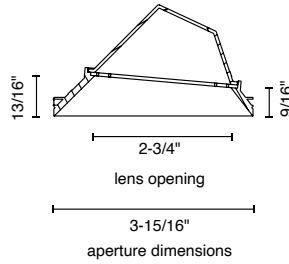
ceiling cutout  
4-1/4" square  
ceiling thickness  
1/8" to 1-1/4"



### TRIMLESS



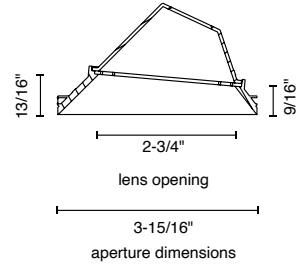
ceiling cutout  
4-1/2" square  
ceiling thickness  
3/8" to 1-3/4"



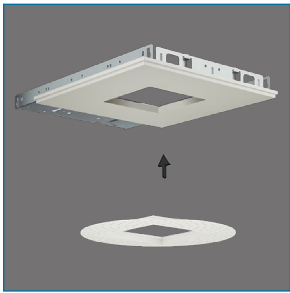
### MILLWORK



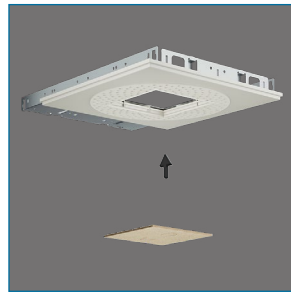
ceiling cutout  
4-1/4" square  
ceiling thickness  
5/8" to 1-3/4"



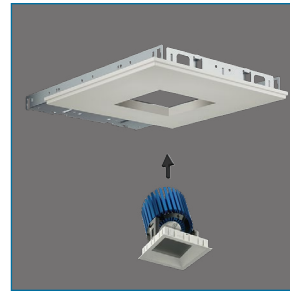
### TRIMLESS



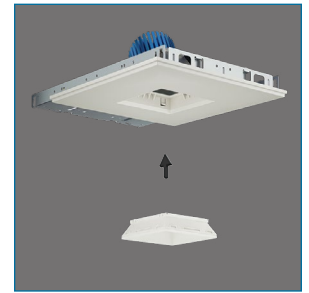
1. Fasten mud frame to ceiling.



2. Insert protective cover (included).  
Apply joint compound over the mud frame.



3. Install LED assembly.

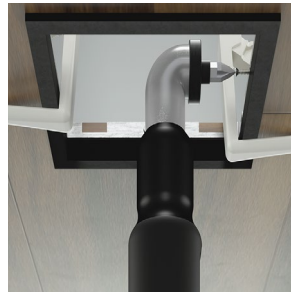


4. Install bezel.

### TRIMLESS MILLWORK



1. Insert Millwork Mounting Bracket  
using the included Plastic Spacer  
for proper depth positioning.



2. Use the included C-Clamps to  
temporarily hold the Plastic Spacer  
in position. Fasten the included  
wood screws into the Mounting  
Bracket using a right-angle impact  
driver (supplied by others).



3. Remove Plastic Spacer.



4. Install Luminaire.

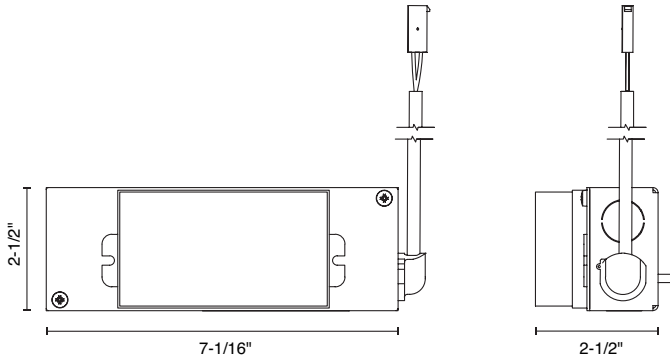


5. Insert Bezel to finish the installation.

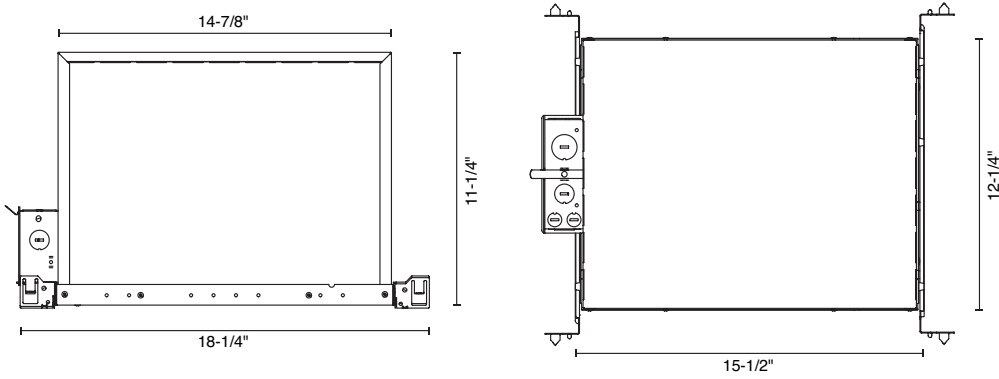


## MOUNTING OPTIONS (CONTINUED)

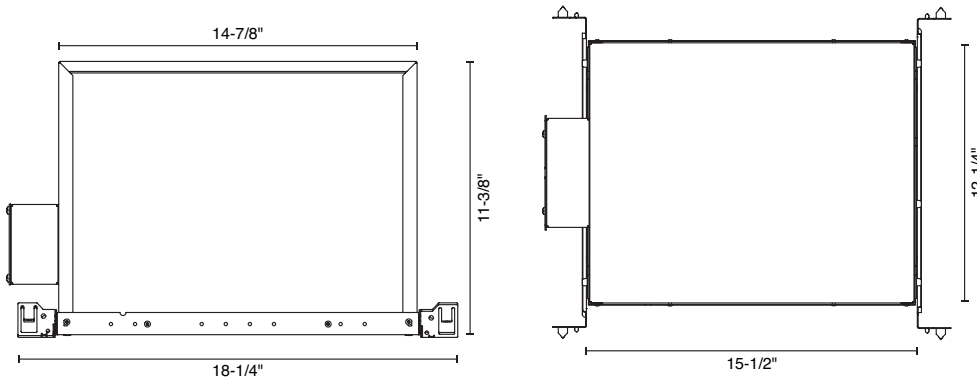
### RET - RETROFIT TRIM/TRIMLESS



### IC<sup>1</sup> - INSULATION CONTACT HOUSING TRIM/TRIMLESS



### CP - CHICAGO PLENUM ICAT - INSULATION CONTACT / AIR TIGHT TRIM/TRIMLESS



#### NOTES

<sup>1</sup> Consult factory for smaller IC Housings when selecting lower lumen packages.



## ENERGY STAR - ORDERING CODE

<b>SERIES</b>	NU4	
<b>TYPE</b>	QW QWT QWTMW	square wall wash square wall wash trimless square wall wash trimless millwork
<b>LED</b>	XTM19	Xicato XTM 19mm
<b>DELIVERED LUMENS</b>	10LM 13LM 27LM 30LM 33LM 40LM	820 lm 1070 lm 2311 lm 2500 lm 2737 lm 3330 lm
<b>CCT</b>	27K 30K 35K 40K	2700K 3000K 3500K 4000K
<b>CRI</b>	83 90 <sup>2</sup>	83 CRI 90 CRI
<b>REFLECTOR &amp; LM MULTIPLIER</b>	WW	wall wash with diffused angle bending lens
<b>VOLTAGE</b>	120 277	120V 277V
<b>DIMMING</b>	DIM10 DIM10Z <sup>3</sup>	eldoLED flicker free 0-10V dimming to 1% eldoLED flicker free 0-10V dimming to 0%
<b>MOUNTING OPTIONS</b>	NC IC <sup>1</sup> ICAT <sup>1</sup> RET	new construction with ceiling fitting plate insulation contact housing insulation contact/airtight housing retrofit, no ceiling fitting plate
<b>TRIM COLOR</b>	WH	white Not applicable to trimless option. Do not include in trimless ordering code.
<b>BEZEL COLOR</b>	WH	white
<b>ENERGY STAR</b>	ES	energy star

### ORDERING CODE

Follow the steps to specify your fixture, example:  
**NU4 - QW - XTM19 - 13LM - 27K - 90 - WW - 120 - DIM10 - IC - WH - WH - ES**

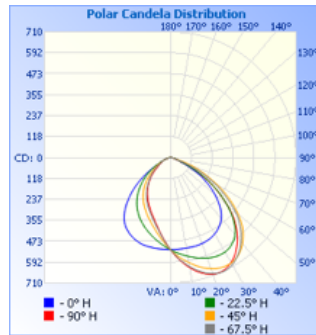
- NOTES**
1. IC and ICAT only available for 10LM and 13LM.
  2. 90CRI only available for 10LM and 13LM.
  3. DIM10Z not available for 10LM and 13LM.

### Zonal Lumen Summary

Zone	Lumens	%Lamp	%Fixt
0-20	194.83	N.A.	15.00
0-30	423.91	N.A.	32.60
0-40	703.20	N.A.	54.10
0-60	1172.05	N.A.	90.20
0-80	1293.15	N.A.	99.60
0-90	1298.9	N.A.	100.00
10-90	1249.47	N.A.	96.20
20-40	508.37	N.A.	39.10
20-50	780.16	N.A.	60.10
40-70	561.12	N.A.	43.20
60-80	121.10	N.A.	9.30
70-80	28.83	N.A.	2.20
80-90	5.74	N.A.	0.40
90-110	0.09	N.A.	0.00
90-120	0.09	N.A.	0.00
90-130	0.09	N.A.	0.00
90-150	0.09	N.A.	0.00
90-180	0.09	N.A.	0.00
110-180	0.00	N.A.	0.00
0-180	1298.99	N.A.	100.00

### Zonal Lumen Summary

Zone	Lumens
0-10	49.43
10-20	145.40
20-30	229.08
30-40	279.29
40-50	271.80
50-60	197.06
60-70	92.27
70-80	28.83
80-90	5.74
90-100	0.09
100-110	0.00
110-120	0.00
120-130	0.00
130-140	0.00
140-150	0.00
150-160	0.00
160-170	0.00
170-180	0.00



Center Beam fc	Beam Width	
	Beam Width	Beam Width
1.7ft	180 fc	3.8 ft 2.3 ft
3.3ft	47.7 fc	7.4 ft 4.5 ft
5.0ft	20.8 fc	11.2 ft 6.9 ft
6.7ft	11.6 fc	15.0 ft 9.2 ft
8.3ft	7.54 fc	18.6 ft 11.4 ft
10.0ft	5.20 fc	22.5 ft 13.8 ft

Vert. Spread: 96.6°  
 Horiz. Spread: 69.1°