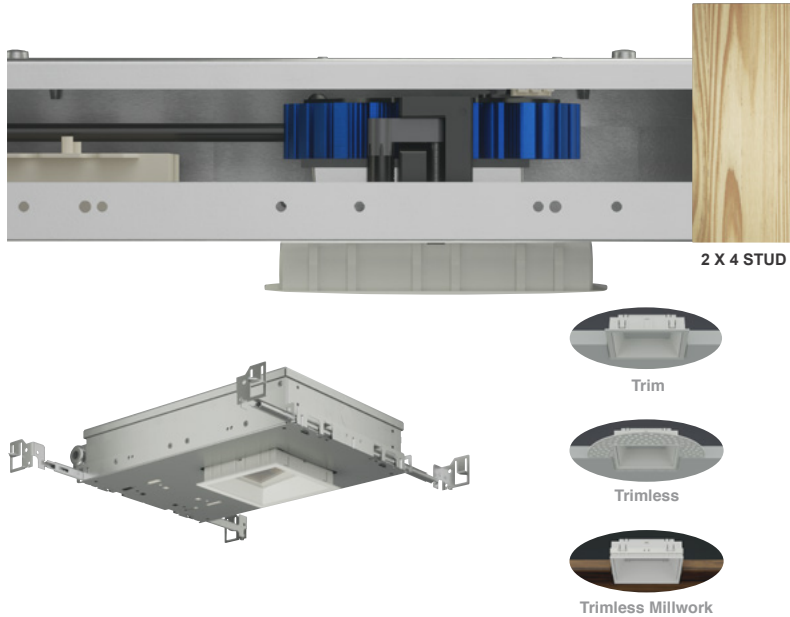


NU4

4" Square Wall Wash Stud



DESCRIPTION

NU STUD is offered in 4" round or square as trimless or as micro-trim install. It is a mere 2-1/4" above the ceiling with an IC enclosure box and a 5/8" standard ceiling thickness (housing height is adjustable for ceiling thickness). With a generous 1" regress bezel trim and microstructure lens, STUD is aesthetically pleasing with trim color options. 5 year fixture warranty.

HOUSING

Electrocoated 20-gauge cold-rolled steel provides enhanced structural reinforcement and rust prevention. Superior, UL-certified, injection-molded commercial-grade Lexan™ (PC) is used for the frame and regressed bezel trim. Lexan provides unmatched durability and impact resistance, and is tested for UV resistance and water exposure in outdoor applications. The thermally-advanced, anodized heat sink uses 6063 aluminum alloy.

MOUNTING

An advanced mounting system allows for quick and secure installation with LED and driver serviceability from below the ceiling. The LED assembly uses die-cast aluminum mounting clamp grips (MCG) that swing out to tighten onto variable ceiling thicknesses. Integrated rubber feet on each MCG provide a non-slip vibration-resistant installation. The hidden MCG system is accessible from below ceiling by removing the snap-in lens/bezel assembly with either the included suction cup or a screwdriver blade. Integrated bar hangers feature integral toothed nails, T-bar mounting slots with locking holes, tabs for joist positioning. No risk damaging LED or bezel assembly during installation, these are installed during last steps. Fixture and driver are easily removed for servicing after install without damaging drywall.

MOUNTING DIMENSIONS	CEILING THICKNESS	CEILING CUTOUT	Bar Hangers (included)	Mounting Length: 14-3/4" to 26"
Trim	5/8" to 1-1/4"	4-1/4" square	Extension Kit p/n: K20266 (ordered separately, 1 per fixture)	Extends a pair of Bar Hangers Total Mounting Length: 29" to 48"
Trimless	5/8" to 1-1/4"	4-1/2" square		
Millwork (Trimless)	5/8" to 1-1/4"	4-1/4" square		

LISTINGS

- ETLus Listed to UL1598, cETL Listed to CSA C22.2 #250.0
- IP65 with lens - Suitable for wet locations with lens
- Non-conductive, Lexan dead-front construction
- **Declare.** - LBC Red List Approved

RATINGS / CERTIFICATIONS	STD	IC	ICAT	CP
Type non-IC	✓			
Type IC		✓	✓	✓
Chicago Plenum (CCEA)				✓
Suitable for air handling plenums			✓	✓
Reduced airflow (with lens) ASTM E283	✓	✓	✓	✓

LED INFO

- Standard COB (Nichia 219C):
- 80/90 CRI: SDCM = 2-step MacAdam Ellipse, Lumen Maintenance: $L_{70} > 50,000$ hrs

PROJECT INFORMATION		
JOB NAME		TYPE
ORDERING CODE		

ORDERING CODE

SERIES	NU4	
TYPE	QWSTUD QWTSTUD QWTSTUDMW	square wall wash square wall wash trimless square wall wash trimless millwork
LED	SW	standard white (Nichia 219C LED)
DELIVERED LUMENS	10LM 13LM 15LM 20LM*	700 lm 1054 lm 1154 lm 1403 lm Standard Configuration: 3000K 80CRI
CCT	27K 30K 35K 40K	2700K 3000K 3500K 4000K
CRI	80 90	80 CRI 90 CRI
REFLECTOR	WW	wall wash with diffused angle bending lens
VOLTAGE	120 277 UNV	120V 277V 120V-277V
DIMMING	DIM10 DIM10Z DALI DALIZ DMXZ ELV²	eldoLED flicker free 0-10V dimming to 1% eldoLED flicker free 0-10V dimming to 0% eldoLED flicker free DALI dimming to 1% eldoLED flicker free DALI dimming to 0% DMX dim to zero leading & trailing edge dimming (Triac/ELV)
MOUNTING OPTIONS	STD IC³ ICAT³ CP³	standard non-IC housing insulation contact housing insulation contact/airtight housing chicago plenum housing
TRIM COLOR	BK WH MC BZ WT	black white matte chrome bronze wheat Not applicable to trimless option. Do not include in trimless ordering code.
BEZEL COLOR	BK WH MC BZ WT	black white matte chrome bronze wheat

ORDERING CODE

Follow the steps to specify your fixture, example:

NU4 - QWSTUD - SW - 10LM - 35K - 90 - WW - 120 - DIM10 - STD - WH - WH

SW (LED)	POWER
DELIVERED LM	W (80/90 CRI)
700	11
1054	18
1154	20
1403	24

NOTES

1. 20LM available in 120V or 277V only.
2. Triac/ELV dimmable to < 1%, available in 120V only.
3. IC/ICAT/CP not available in 15LM/20LM.

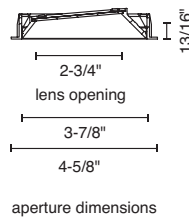
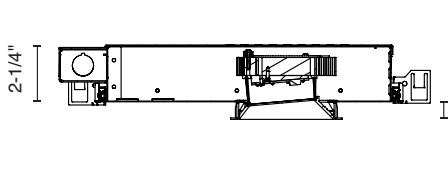
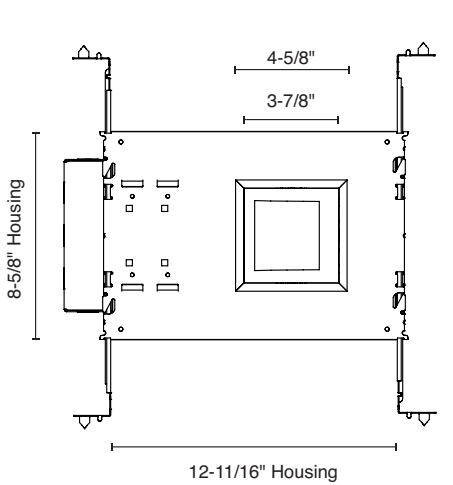
* EdoLED and DMX drivers use logarithmic dimming curve as standard. For linear dimming curve add "LIN" after dimming code, i.e. DIM10LIN.

PROJECT INFORMATION		
JOB NAME	TYPE	
ORDERING CODE		

MOUNTING OPTIONS

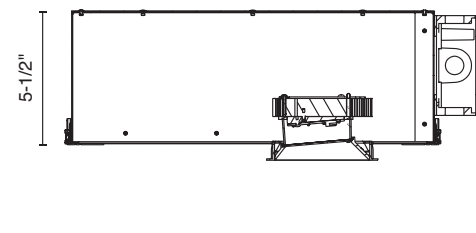
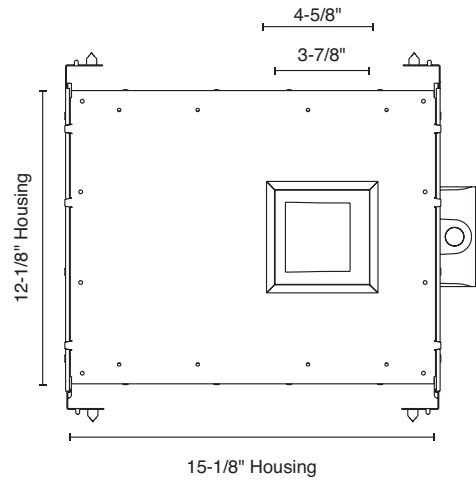
STD - STANDARD NON-IC HOUSING IC - INSULATION CONTACT

- STD & IC meet ASTM E283 Air-Tight Requirements.
- IC available for 10LM and 13LM Lumen options.



ICAT - INSULATION CONTACT/AIR TIGHT CP - CHICAGO PLENUM

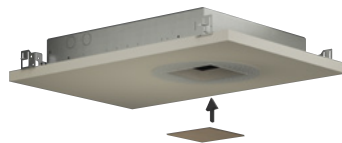
- ICAT & CP are suitable for active air handling plenums, and meet ASTM E283 Air-Tight Requirements.
- CP meets City of Chicago Environmental Air Requirements.
- ICAT not available in 20LM Lumen option.
- CP available for all Lumen options.



TRIMLESS OPTION



1. Fasten mud frame to ceiling.



2. Insert protective cover (included).
Apply joint compound over the mud frame.



3. Install LED assembly.

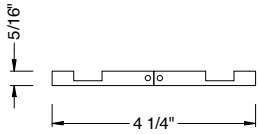
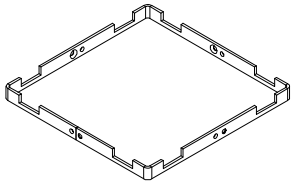


4. Install bezel.

PROJECT INFORMATION		
JOB NAME		TYPE
ORDERING CODE		

MOUNTING OPTIONS (CONTINUED)

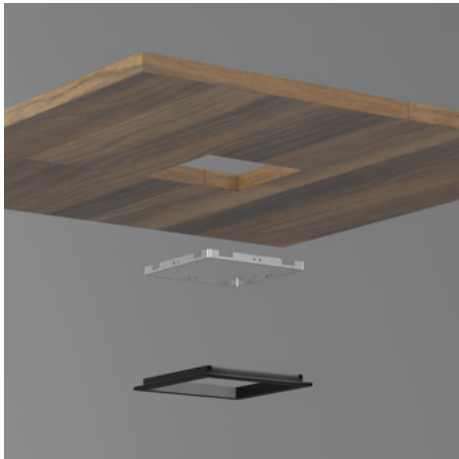
QWTSTUDMW – MILLWORK TRIMLESS



Millwork Mounting Bracket

NOTES

- 1 Ceiling cutout 4-1/4" x 4-1/4".
- 2 Millwork Mounting Bracket & Mounting Screws are included with each Luminaire.
- 3 One Plastic Spacer and two C-Clamps are included with each order.
- 4 Refer to Installation Instructions for further details.



1. Insert Millwork Mounting Bracket using the included Plastic Spacer for proper depth positioning.



2. Use the included C-Clamps to temporarily hold the Plastic Spacer in position. Fasten the included wood screws into the Mounting Bracket using a right-angle impact driver (supplied by others).



3. Remove Plastic Spacer.



4. Install Luminaire.



5. Insert Bezel to finish the installation.

