

PROJECT INFORMATION		
JOB NAME		TYPE
ORDERING CODE		

NU4

4" Square Downlight Hyperbolic



AT
airtight

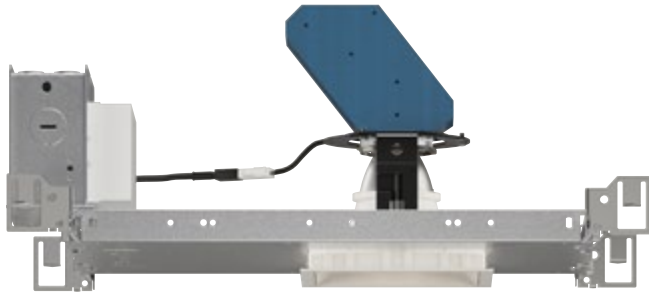
DF
dead-front



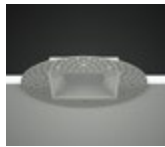
plenum rated



wet rated



Trim



Trimless



Trimless Millwork

45° -55° BEAM (Note: Specifications are subject to change without notice)		
14mm COB PERFORMANCE DATA		
LED LIGHT ENGINE	NOMINAL DELIVERED LUMENS	SYSTEM WATTAGE
10LM	790LM @30K/80CRI	9W
15LM	1190LM @30K/80CRI	12W
20LM	1680LM @30K/80CRI	17W
25LM	2030LM @30K/80CRI	21W
30LM	2470LM @30K/80CRI	26W
35LM	2870LM @30K/80CRI	31W
40LM	3340LM @30K/80CRI	37W
10LM	670LM @30K/90CRI	9W
15LM	1010LM @30K/90CRI	12W
20LM	1420LM @30K/90CRI	17W
25LM	1730LM @30K/90CRI	21W
30LM	2100LM @30K/90CRI	26W
35LM	2440LM @30K/90CRI	31W
40LM	2840LM @30K/90CRI	37W
Notes	Delivered lumens based on WHD50 optic with no lens (See page 2)	



eldoLED
powered by aave

FEATURES

- 3/4" bezel regress with 1/16" micro flange
- 45° - 55° optical beam
- UGR < 19
- Up to 110 LPW
- Glare control, specialty optics, trim options, and custom finishes available

LED

- 90 CRI: SDCM = 2-step MacAdam Ellipse, Lumen Maintenance: L₇₀ > 66,000 hrs
- 80 CRI: SDCM = 2-step MacAdam Ellipse, Lumen Maintenance: L₇₀ > 66,000 hrs

DIMMING AND CONTROLS

- eldoLED flicker free 0-10V dimming to 0% and 1%
- eldoLED flicker free DALI dimming to 0% and 1%
- DMX dim to zero
- Lutron Hi-lumen (Eco System) dimming to 0.1% and 1%
- Leading & trailing edge (Triac/ELV) dimming to 1%
- Casambi bluetooth dimming to 1.0%
- NLight control interface dimming to 0%

LISTING

- ULus Listed to UL1598 & UL2108; cUL Listed to CSA C22.2 #250.0
- Suitable for dry and damp locations
- 5 Year Limited warranty

CONSTRUCTION

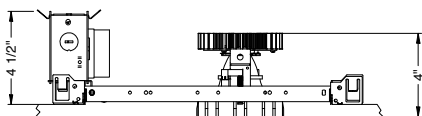
- Lexan™ (PC) highly resistant to impact and heat (240°F)
- Optimal material for wireless BLE signal connectivity
- Shatter proof acrylic bezel lens
- Electrocoated 16-gauge cold-rolled steel construction
- Accommodates ceiling thickness from 3/8" to 1-3/4"

ELECTRICAL

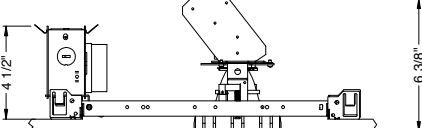
- 120V-277V, 120 only Triac / ELV
- Power factor ≥ 0.9
- 2kV driver input surge protection
- Remote emergency test switch
- 7W, 10W (T20 CEC) and 12W EM 90min battery
- Max. ambient installation temperature 95°F (35°C)

FIXTURE HEIGHT

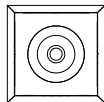
LED LIGHT ENGINE: 10LM - 30LM



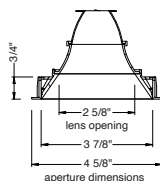
LED LIGHT ENGINE: 35LM - 40LM



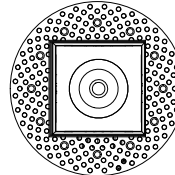
TRIMMED



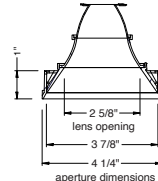
ceiling cutout
4-1/4" square
ceiling thickness
3/8" to 1-5/8"



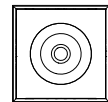
TRIMLESS



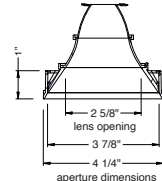
ceiling cutout
4-1/4" square
ceiling thickness
3/8" to 1-3/4"



MILLWORK



ceiling cutout
4-1/4" square
ceiling thickness
5/8" to 1-3/4"



alphabet

PROJECT INFORMATION		
JOB NAME		TYPE
ORDERING CODE		

ORDERING CODE																													
SERIES	NU4	NU4																											
TYPE	QH	square hyperbolic																											
	QHT	square hyperbolic trimless																											
	QHTMW	square hyperbolic trimless millwork																											
LED	SW	standard white																											
DELIVERED LUMENS	10LM	790 lm																											
	15LM	1160 lm																											
	20LM	1680 lm																											
	25LM	2030 lm																											
	30LM	2470 lm																											
	35LM	2870 lm																											
	40LM	3340 lm																											
	Standard Configuration: 3000K 80CRI Calculated Delivered Lumens = [Delivered Lumen Value] x [CCT Multiplier] x [Reflector Multiplier]																												
CCT	27K	2700K																											
	30K	3000K																											
	35K	3500K																											
	40K	4000K																											
<table border="1"> <thead> <tr> <th>CCT</th> <th colspan="2">2700K</th> <th colspan="2">3000K</th> <th colspan="2">3500K</th> <th colspan="2">4000K</th> </tr> <tr> <th>CRI</th> <th>80+</th> <th>90+</th> <th>80+</th> <th>90+</th> <th>80+</th> <th>90+</th> <th>80+</th> <th>90+</th> </tr> </thead> <tbody> <tr> <td>CCT MULTIPLIER FOR LUMEN OUTPUT</td> <td>0.96</td> <td>0.81</td> <td>1.00</td> <td>0.85</td> <td>1.03</td> <td>0.88</td> <td>1.06</td> <td>0.91</td> </tr> </tbody> </table>			CCT	2700K		3000K		3500K		4000K		CRI	80+	90+	80+	90+	80+	90+	80+	90+	CCT MULTIPLIER FOR LUMEN OUTPUT	0.96	0.81	1.00	0.85	1.03	0.88	1.06	0.91
CCT	2700K		3000K		3500K		4000K																						
CRI	80+	90+	80+	90+	80+	90+	80+	90+																					
CCT MULTIPLIER FOR LUMEN OUTPUT	0.96	0.81	1.00	0.85	1.03	0.88	1.06	0.91																					
CRI	80	80 CRI																											
	90	90 CRI																											
OPTIC & LM MULTIPLIER SEE PAGE 4	BKD45	black hyperbolic cone with 45° diffused reflector, 85° cutoff angle																											
	WHD50	white hyperbolic cone with 50° diffused reflector, 110° cutoff angle																											
TRIM COLOR SEE PAGE 3	BK	black																											
	WH	white																											
	MC	matte chrome																											
	BZ	bronze																											
	WT	wheat																											
	CC¹	custom color, consult factory for details																											
Not applicable to trimless option. Do not include in trimless ordering code.																													

ORDERING CODE		
MOUNTING OPTIONS SEE PAGE 5, 6	NC	new construction with ceiling fitting plate,
	IC²	insulation contact housing,
	ICAT²	insulation contact/airtight housing,
	CP²	chicago plenum housing,
	RET	retrofit, no ceiling fitting plate,
VOLTAGE	120	120V
	UNV	120V-277V
DIMMING	DIM10	eldoLED flicker free 0-10V dimming to 1%
	DIM10Z	eldoLED flicker free 0-10V dimming to 0%
	DALI	eldoLED flicker free DALI 2 dimming to 1%
	DALIZ	eldoLED flicker free DALI 2 dimming to 0%
	DMX-RJ45	DMX control dimming to 0.1% with RJ45 connection
	DMX-WL	DMX control dimming to 0.1% with wire lead connection
	DMX-XLR	DMX control dimming to 0.1% with XLR 5pin connection
	LUT	Lutron Hi-lume Ecosystem dimming to 1%, Soft-on & Fade-to-Black
	LUTP³	Lutron Hi-lume Premier Ecosystem dimming to 0.1%, Soft-on & Fade-to-Black
	ELV1⁴	leading & trailing edge (Triac/ELV) dimming to 1%
	NLT	nLight control interface: standard Cat-5/RJ45 connection (female), dim to off
	CAS	Casambi Bluetooth control with flicker free 1% dimming
	AWNRR	lutron athena wireless node
L3DA	Lutron Hi-lume 1% 3-wire/Ecosystem	
ELECTRICAL OPTIONS	EM7	emergency battery backup, 90 minutes at 7W to LED
	EM12	emergency battery backup, 90 minutes at 12W to LED
	EM10CA20	emergency battery backup, 90 minutes at 10W to LED, CA title 20

ADDITIONAL MOUNTING INFO	
New Construction Bar Hangers (included)	Mounting Length: 14-3/4" to 26"
Extension Kit p/n: K20266 (ordered separately, 1 per fixture)	Extends a pair of Bar Hangers Total Mounting Length: 29" to 48"

YOUR COMPLETED ORDERING CODE
Follow the steps to specify your fixture, example:
NU4 - QH - SW - 20LM - 30K - 90 - WHD50 - WH - NC - DIM10

NOTES

1. Custom set up fee plus minimum quantity required per color.
2. IC/ICAT/CP not available in 40LM.
3. LUTP not available in 25LM, 30LM or 40LM.
4. ELV1 (120V) not available in 10LM.

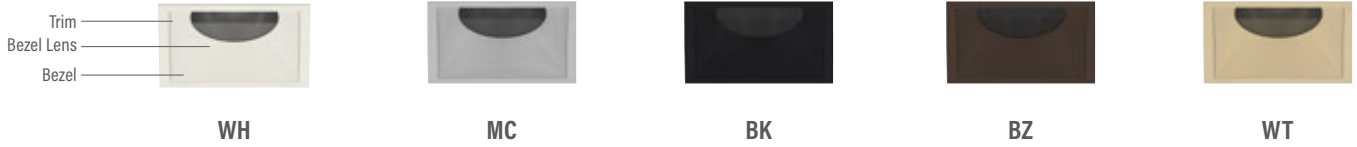
* EldoLED and DMX uses logarithmic dimming curve as standard. For linear dimming curve, add "LIN" after dimming code, i.e. DIM10LIN.

alphabet

PROJECT INFORMATION		
JOB NAME		TYPE
ORDERING CODE		

TRIM OPTIONS

TRIM/BEZEL COLORS



Trim
Bezel Lens
Bezel

OPTICAL OPTIONS

- UGR calculation based on CIE 117-1995; room size: 4H X 8H, reflectance: 70/50/20;
- UGR calculation based on 15LM fixtures, unless otherwise noted.

NL

No Lens



OPTIC	BEAM ANGLE	UGR
WHD50	55	16.6
BKD45	47	12.8

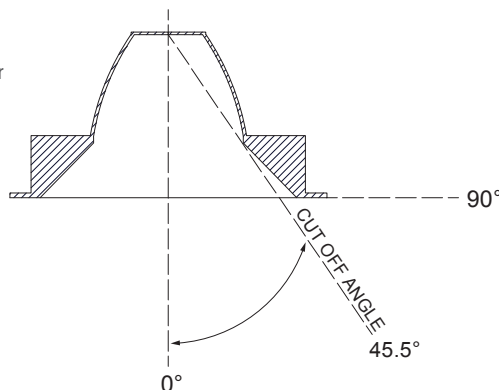
GLARE CONTROL

CUT-OFF ANGLE

Visual comfort is achieved with a lower cut-off angle due to improved glare control. The smaller the cut-off angle, the easier it is on the eye.

Alphabet downlights have been thoughtfully engineered to eliminate glare while still delivering functional illumination.

- Cut-off angle of NL and CL is 45.5 degrees;



alphabet

PROJECT INFORMATION		
JOB NAME		TYPE
ORDERING CODE		

PHOTOMETRIC DATA

20LM		
	80CRI	90CRI
2700K	0.96	0.81
3000K	1	0.85
3500K	1.03	0.88
4000K	1.06	0.91
FC Formula = CBCP / Distance ²		

**BKD45
47°, BLACK HYPERBOLIC CONE**

WATTS:: 17.2	LPW:: 93.1
LUMENS: 1601	CCT:: 3000K
INTENSITY	
DEGREE	CANDELA
0	2653
5	2577
15	2040
25	1213
35	302
45	43

**WHD50
55°, WHITE HYPERBOLIC CONE**

WATTS:: 17.2	LPW:: 97.4
LUMENS: 1676	CCT:: 3000K
INTENSITY	
DEGREE	CANDELA
0	2023
5	1981
15	1684
25	1239
35	464
45	107

40LM		
	80CRI	90CRI
2700K	0.96	0.81
3000K	1	0.85
3500K	1.03	0.88
4000K	1.06	0.91
FC Formula = CBCP / Distance ²		

**BKD45
47°, BLACK HYPERBOLIC CONE**

WATTS:: 37	LPW:: 86.3
LUMENS: 3194	CCT:: 3000K
INTENSITY	
DEGREE	CANDELA
0	5294
5	5142
15	4069
25	2421
35	603
45	87

**WHD50
55°, WHITE HYPERBOLIC CONE**

WATTS:: 37	LPW:: 90.4
LUMENS: 3344	CCT:: 3000K
INTENSITY	
DEGREE	CANDELA
0	4037
5	3952
15	3361
25	2473
35	927
45	213

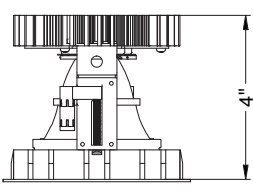
alphabet

PROJECT INFORMATION		
JOB NAME	TYPE	
ORDERING CODE		

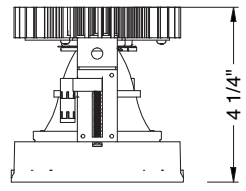
MOUNTING OPTIONS

FIXTURE HEIGHT

10LM - 30LM LOW LUMENS

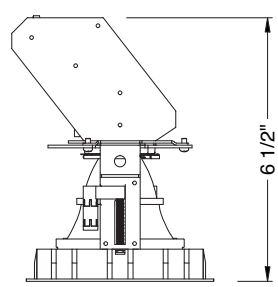


TRIMMED

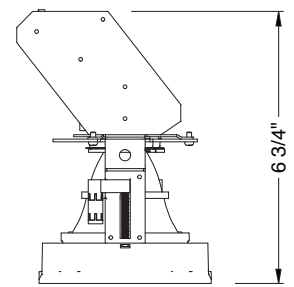


TRIMLESS & MILLWORK

35LM - 40LM HIGH LUMENS



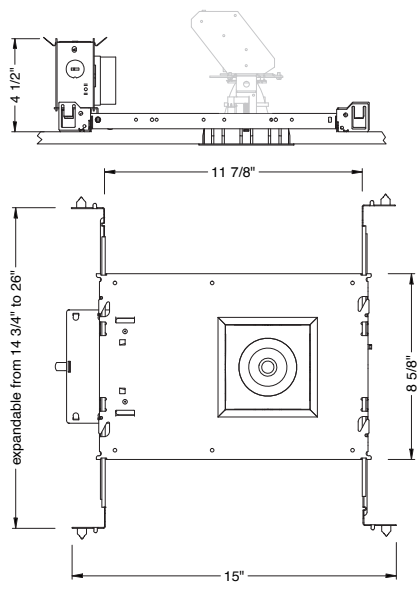
TRIMMED



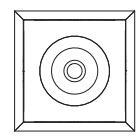
TRIMLESS & MILLWORK

NC - NEW CONSTRUCTION

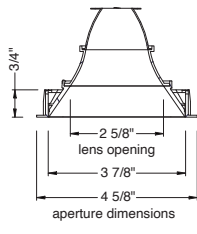
TRIM



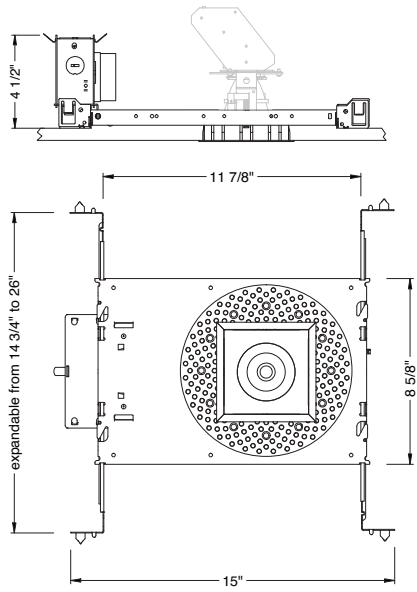
TRIM



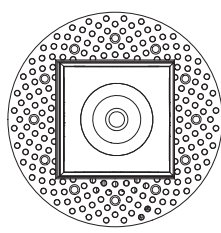
ceiling cutout
4-1/4" square
ceiling thickness
3/8" to 1-5/8"



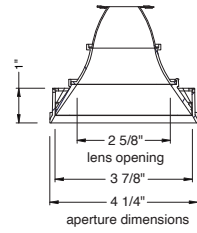
TRIMLESS



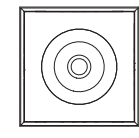
TRIMLESS



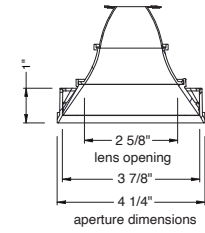
ceiling cutout
4-1/4" square
ceiling thickness
3/8" to 1-3/4"



TRIMLESS/MILLWORK



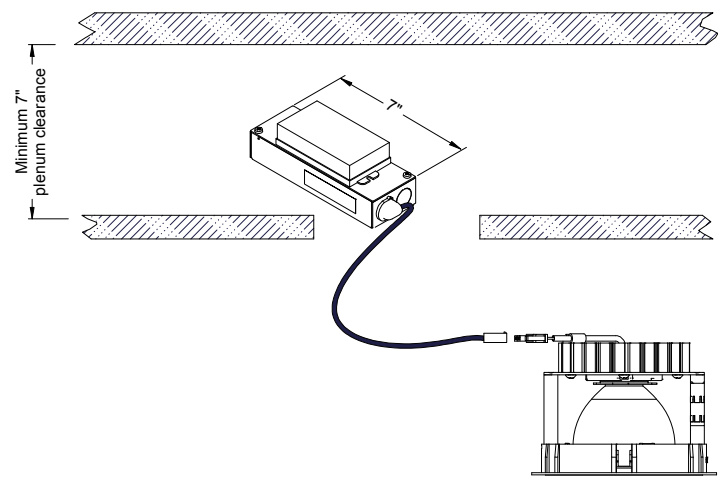
ceiling cutout
4-1/4" square
ceiling thickness
5/8" to 1-3/4"



PROJECT INFORMATION		
JOB NAME		TYPE
ORDERING CODE		

MOUNTING OPTIONS

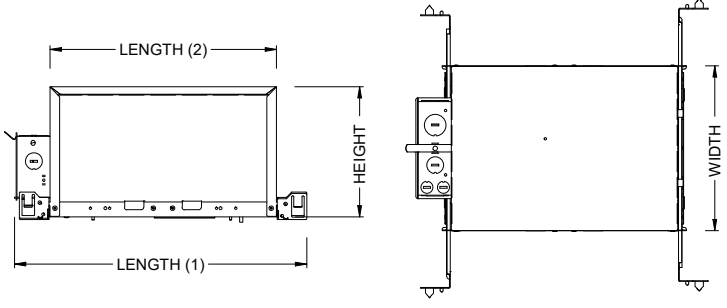
RET - RETRO TRIM/TRIMLESS



RATINGS / CERTIFICATIONS	NC	RET	IC	ICAT	CP
TYPE NON-IC	✓	✓			
TYPE IC			✓	✓	✓
CHICAGO PLENUM (CCEA)					✓
SUITABLE FOR AIR HANDLING PLENUMS				✓	✓
REDUCED AIRFLOW (WITH LENS) ASTM E283	✓	✓	✓	✓	✓

CEILING THICKNESS	
FIXTURE TYPE	MOUNTING TYPE
	STANDARD CEILING THICKNESS
TRIM	3/8" to 1-5/8"
TRIMLESS	3/8" to 1-3/4"
MILLWORK (TRIMLESS)	5/8" to 1-3/4"

IC - INSULATION CONTACT HOUSING ICAT - INSULATION CONTACT / AIR TIGHT CP - CHICAGO PLENUM



BOX SIZE	L 1	L 2	W	H
A	15 - 7/16"	11 - 3/4"	8 - 1/2"	6 - 3/4"
B	18 - 1/4"	14 - 7/8"	12 - 1/8"	6 - 3/4"

BOX TYPE / LUMEN OUTPUT - NARROW BEAM (45°-55°)				
LUMEN OUTPUT	BOX-A			BOX-B
	CP	IC	ICAT	CP
10LM	✓	✓	✓	
15LM	✓	✓	✓	
20LM	✓	✓	✓	
25LM	✓	✓	✓	
30LM				✓
35LM				✓
40LM				

PROJECT INFORMATION		
JOB NAME		TYPE
ORDERING CODE		

BATTERY OPTIONS

EMERGENCY BATTERY

IOTA's ILB Battery Backups are UL Listed LED emergency drivers that allow the same LED fixture to be used for both normal and emergency operation. In the event of a power failure, the ILB switches to the emergency mode and operates the existing fixture for 90 minutes. The unit contains a battery, charger, and converter circuit in a single can. The Constant Power design of the ILB maintains the output wattage to the LED array even as the system voltage diminishes. UL 924 Listed for U.S. and Canada. UL 1310 Certified, Output Class 2 Compliant. Includes single-piece TBTS test switch and charge indicator accessory kit. For use with switched and unswitched fixtures, and includes Two-wire universal AC input. Meets or exceeds all National Electric Code and Life Safety Code Emergency Lighting Requirements. Rated for use in Plenum, Damp Location, Recessed Type IC, and Enclosed and Gasketed Luminaires.

REMOTE TEST SWITCH

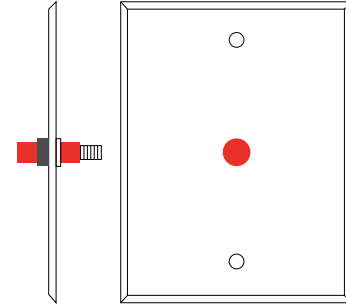
The Remote Test Switch may be mounted adjacent to the LED Fixture by others.

EMERGENCY BATTERY ACCESS

Above ceiling access is recommended for ease of service, but LED Fixture Sizes of 4" and Larger are capable of below ceiling access. IC/ICAT/CP Box and ITS option require an access panel in the ceiling (or other form of access) adjacent to the installation location of the Emergency Battery.

REMOTE LOCATION

Maximum remote mounting distance of the emergency driver shall be 50 feet. Remote location wiring provided by others. Follow all Local and National Electric/Building Codes.



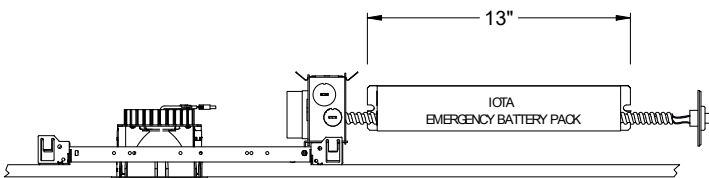
Remote Test Switch

EM MODE OUTPUT (DELIVERED LUMENS)

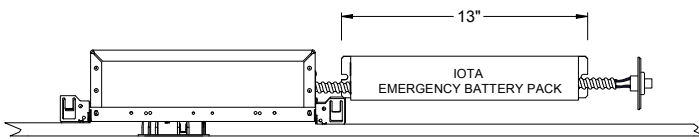
LUMEN ORDERING CODE	EM7	EM10	EM12
ALL OPTIONS (10LM TO 40LM)	880LM	1280LM	1480LM

Notes: Based on 30K, 80CRI

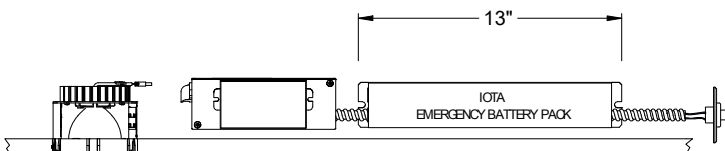
NC - NEW CONSTRUCTION WITH EM BATTERY (REMOTE TEST SWITCH)



IC / ICAT / CP - INSULATION CONTACT HOUSING WITH EM BATTERY (REMOTE TEST SWITCH)

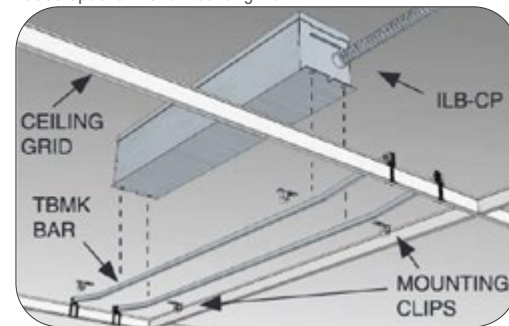


RET - RETROFIT WITH EM BATTERY (REMOTE TEST SWITCH)



Accessory

76066 Optional T-Grid Mounting Kit¹



1. Can be used with any of the Emergency Battery Backups. Must be ordered as a separate line item.