

PROJECT INFORMATION		
JOB NAME		TYPE
ORDERING CODE		

NU4

4" Square Downlight RGBW



AT
airtight

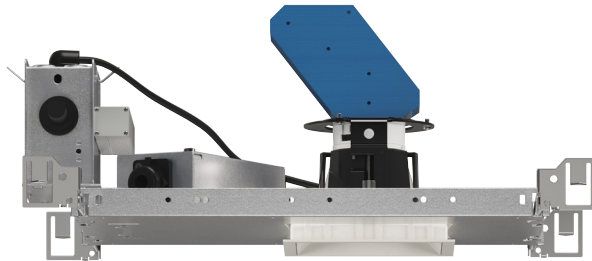
DF
dead-front

PR
plenum rated

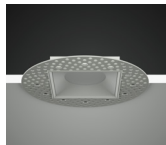
Wet rated

25° - 50° BEAM		
(Note: Specifications are subject to change without notice)		
22mm COLOR TUNING MODULE PERFORMANCE DATA		
LED LIGHT ENGINE	NOMINAL DELIVERED LUMENS	SYSTEM WATTAGE
10LM	1000LM @30K/90CRI	25W
Notes	Delivered lumens based on 25D optic with no lens, (see page 2)	

CASAMBI



Trim



Trimless



Trimless Millwork

FEATURES

- RGB (W) five white CCT options available.
- On-board, closed-loop optical feedback measures the lumen depreciation of each channel and re-balances the color model to ensure color consistency over the life of LED array.
- 20° - 50° optical beam control
- UGR <5
- Multiple mounting, trims and finishes available

DIMMING AND CONTROLS

- DMX512-A-RDM control, 8 bit channel control with 0-255 grey bit scale. DMX connection by wire leads.
- BLE mesh network control, profile allows color mixing on Casambi app

CONSTRUCTION

- Shatter proof acrylic bezel lens
- LEXAN™ (PC) Optimal connectivity for wireless control signal
- Impact and chemical resistant at the highest level
- With stands temperatures up to 240° F
- Electrocoated 16-gauge cold-rolled steel construction
- Accommodates ceiling thickness from 1/8" to 1-3/4"

LED

- Lumiled LUXEON C Color Line
- SDCM = 2-step MacAdam Ellipse, Duv +/- 0.002, Lumen Maintenance: L₇₀ > 50,000 hrs

LISTING

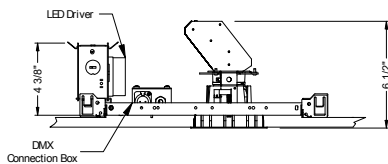
- ULus Listed to UL1598 & UL2108; cUL Listed to CSA C22.2 #250.0
- IP65 with lens - Suitable for wet locations with lens - Suitable for damp locations without lens
- Non-conductive, dead-front construction (shower approved)
- Made in the USA - meets the requirements of the Buy American provision within the ARRA
- NSF/ANSI-2 with lens
- 5 Year Limited warranty

ELECTRICAL

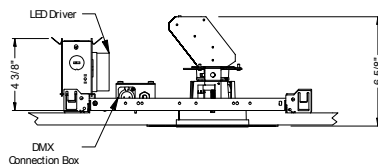
- 120-277VAC 50/60Hz input
- Power factor > 0.9
- Max ambient temperature 50°C
- Battery Backup not offered. Emergency Generator/Inverter/Controls-Override Device supplied by others.

FIXTURE HEIGHT

TRIMMED



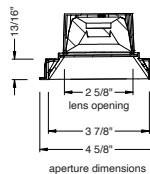
TRIMLESS



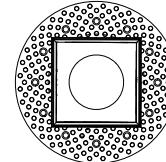
TRIMMED



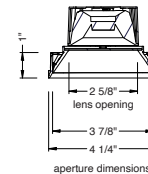
ceiling cutout
4-1/4" square
ceiling thickness
1/8" to 1-5/8"



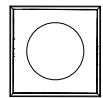
TRIMLESS



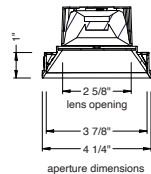
ceiling cutout
4-1/2" square
ceiling thickness
3/8" to 1-3/4"



MILLWORK



ceiling cutout
4-1/2" square
ceiling thickness
5/8" to 1-3/4"



alphabet

PROJECT INFORMATION		
JOB NAME		TYPE
ORDERING CODE		

25°- 50° BEAM ORDERING CODE

SERIES	NU4	NU4
TYPE	QD	square downlight
	QDT	square downlight trimless
	QDTMW	square downlight trimless millwork
LED	RGBW	4 channel color module
DELIVERED LUMENS	10LM	1017 lm
	Calculated Delivered Lumens = [Delivered Lumen Value] x [Optic Multiplier]	
CCT	27K	RGBW with white at 2700K
	30K	RGBW with white at 3000K
	35K	RGBW with white at 3500K
	43K	RGBW with white at 4300K
	65K	RGBW with white at 6500K
	CRI	90
OPTIC & LM MULTIPLIER SEE PAGE 3	25D	25 degrees (1.00)
	30D	30 degrees (0.98)
	35D	35 degrees (0.98)
	50D	50 degrees (0.92)
BEZEL LENS SEE PAGE 3	CL	clear lens (1.00)
	NL¹	no lens (1.00)
TRIM COLOR SEE PAGE 3	BK	black
	WH	white
	MC	matte chrome
	BZ	bronze
	WT	wheat
Not applicable to trimless option. Do not include in trimless ordering code.		
BEZEL COLOR SEE PAGE 3	BK	black
	WH	white
	MC	matte chrome
	BZ	bronze
	WT	wheat

25°- 50° BEAM ORDERING CODE

MOUNTING OPTIONS SEE PAGE 5, 6	NC	new construction with ceiling fitting plate
	IC	insulation contact housing
	ICAT	insulation contact/airtight housing
	CP	chicago plenum housing
	RET	retrofit, no ceiling fitting plate
VOLTAGE	UNV	120V-277V
DIMMING	DMX-RJ45	DMX control dimming to 0.1% with RJ45 connection box
	DMX-XLR	DMX control dimming to 0.1% with XLR 5pin connection box
	DMX-WL	DMX control dimming to 0.1% with wire lead connection box
	CAS	Casambi Bluetooth control with flicker free 0.1% dimming

ADDITIONAL MOUNTING INFO

New Construction Bar Hangers (included)	Mounting Length: 14-3/4" to 26"
Extension Kit p/n: K20266 (ordered separately, 1 per fixture)	Extends a pair of Bar Hangers Total Mounting Length: 29" to 48"

YOUR COMPLETED ORDERING CODE

Follow the steps to specify your fixture, example:
NU4-QD-RGBW-10LM-30K-90-30D-CL-BK-BK-NC-UNV-DMX-RJ45

NOTES

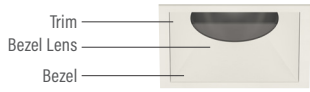
- NL option does not meet requirement for AT/DF/WET/NSF.

alphabet

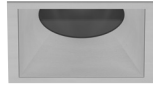
PROJECT INFORMATION		
JOB NAME		TYPE
ORDERING CODE		

TRIM OPTIONS

TRIM/BEZEL COLORS



WH



MC



BK



BZ



WT

OPTICAL OPTIONS

CL

Clear Lens



OPTIC	BEAM ANGLE	UGR
25D	27.4	≤5
35D	34.2	6.5
50D	49.3	12.2
50D	49.3	12.2

NL

No Lens



OPTIC	BEAM ANGLE	UGR
25D	27.4	≤5
35D	34.2	6.5
50D	49.3	12.2
50D	49.3	12.2

PHOTOMETRIC DATA

NU4-RD-RGBW-10LM-30K-90-XXD-NL-WH-WH

25D 27° NO LENS, SA BEZEL	
Throw Distance (ft)	Beam Diameter (ft)
6	10.5
8	5.9
10	3.8
12	2.6
14	1.9
Illuminance at Center (fc)	
WATTS: 25.7	LPW: 39.7
LUMENS: 1020	CCT: 3000K
INTENSITY	
DEGREE	CANDELA
0	3796
5	3467
15	1631
25	407
35	82
45	16

30D 30° NO LENS, WHITE BEZEL	
Throw Distance (ft)	Beam Diameter (ft)
6	9.2
8	5.2
10	3.3
12	2.3
14	1.7
Illuminance at Center (fc)	
WATTS: 25.7	LPW: 39
LUMENS: 1001	CCT: 3000K
INTENSITY	
DEGREE	CANDELA
0	3321
5	3079
15	1639
25	435
35	71
45	16

35D 34° NO LENS, WHITE BEZEL	
Throw Distance (ft)	Beam Diameter (ft)
6	7.2
8	4.1
10	2.6
12	1.8
14	1.3
Illuminance at Center (fc)	
WATTS: 25.7	LPW: 39.1
LUMENS: 1004	CCT: 3000K
INTENSITY	
DEGREE	CANDELA
0	2601
5	2445
15	1519
25	585
35	99
45	17

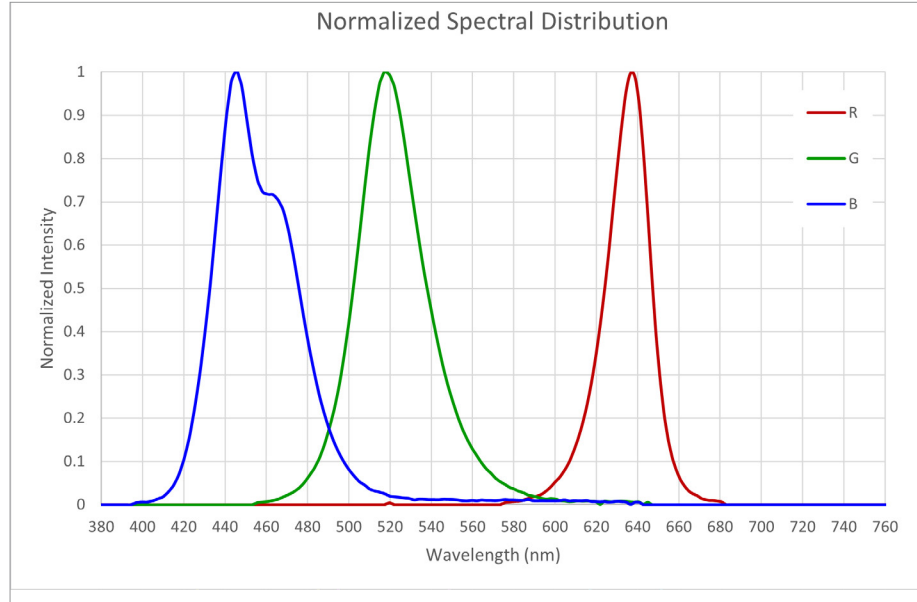
50D 49° NO LENS, WHITE BEZEL	
Throw Distance (ft)	Beam Diameter (ft)
6	3.7
8	2.1
10	1.3
12	0.9
14	0.7
Illuminance at Center (fc)	
WATTS: 25.7	LPW: 36.6
LUMENS: 940	CCT: 3000K
INTENSITY	
DEGREE	CANDELA
0	1322
5	1299
15	1080
25	643
35	243
45	56

PROJECT INFORMATION		
JOB NAME		TYPE
ORDERING CODE		

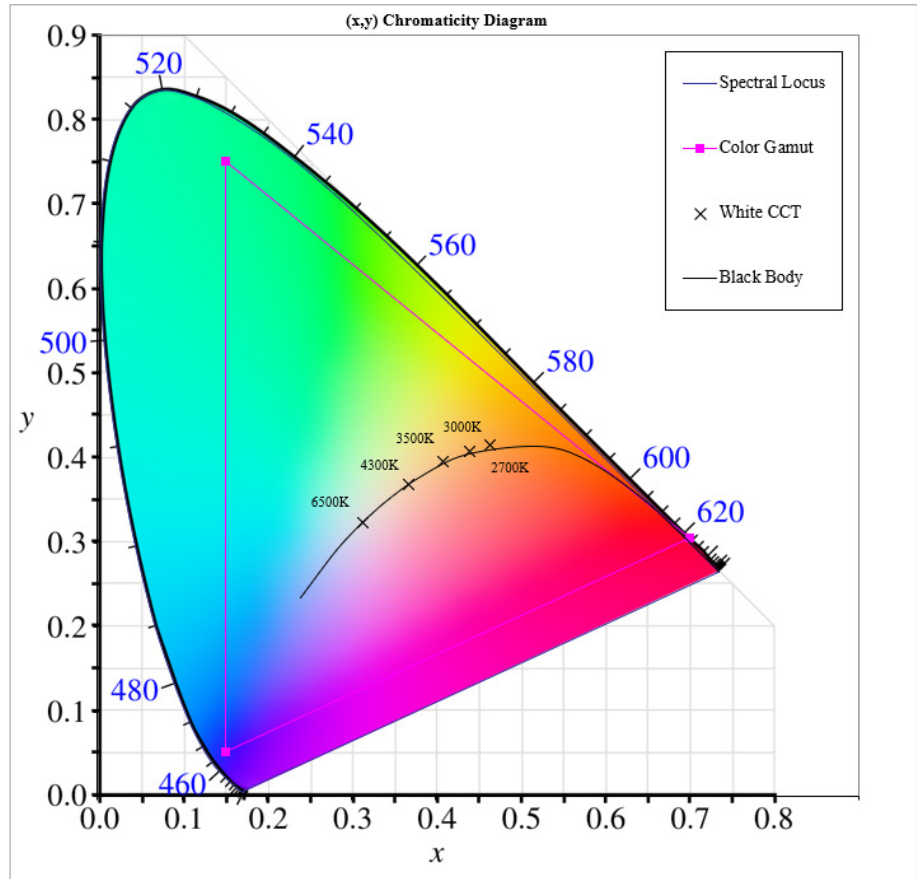
RGBW DATA

RGB SPECTRAL PLOT

DOMINANT WAVELENGTH	
	MEASURED
R	623.9
G	524.2
B	461.9



COLOR GAMUT PLOT

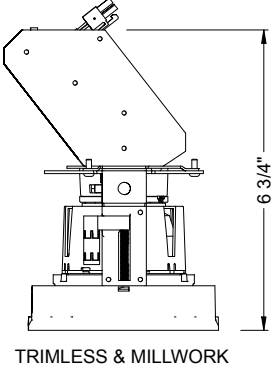
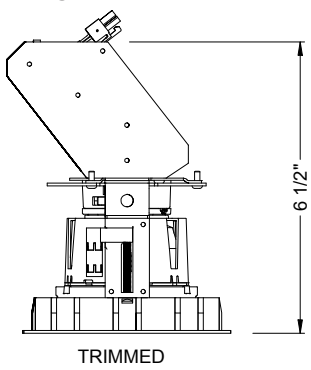


alphabet

PROJECT INFORMATION		
JOB NAME		TYPE
ORDERING CODE		

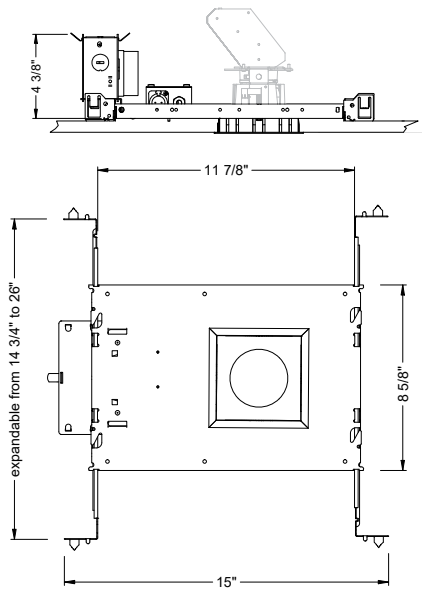
MOUNTING OPTIONS

FIXTURE HEIGHT

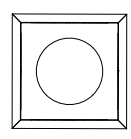


NC - NEW CONSTRUCTION

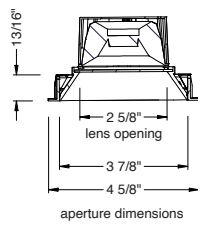
TRIM



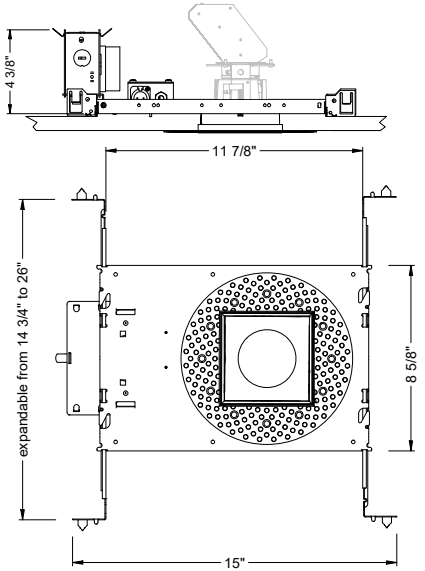
TRIM



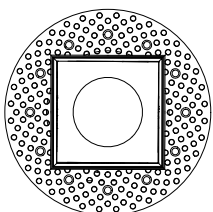
ceiling cutout
4-1/4" square
ceiling thickness
1/8" to 1-5/8"



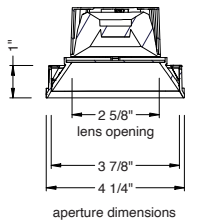
TRIMLESS



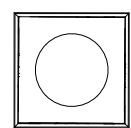
TRIMLESS



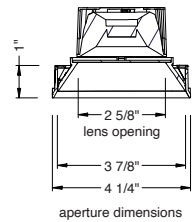
ceiling cutout
4-1/2" square
ceiling thickness
3/8" to 1-3/4"



TRIMLESS/MILLWORK



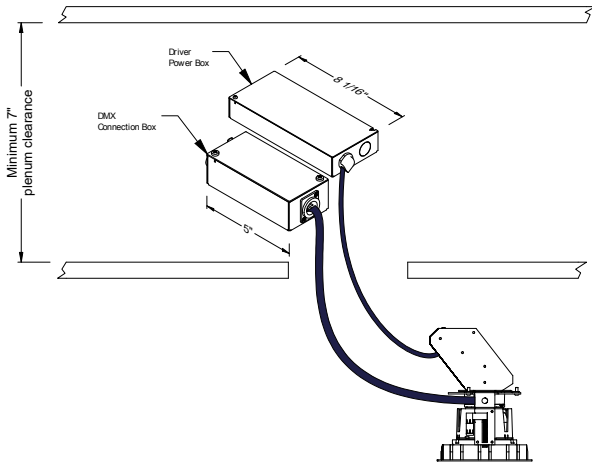
ceiling cutout
4-1/2" square
ceiling thickness
5/8" to 1-3/4"



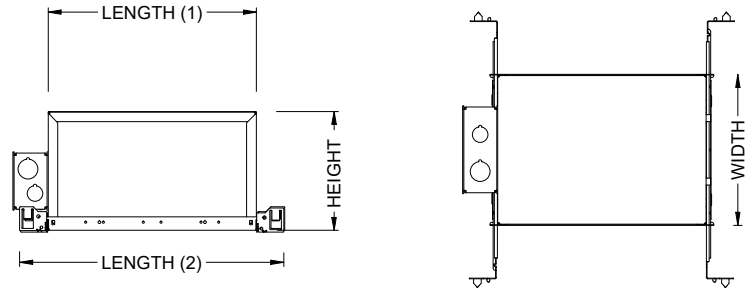
PROJECT INFORMATION		
JOB NAME		TYPE
ORDERING CODE		

MOUNTING OPTIONS (CONTINUED)

RET - RETRO TRIM/TRIMLESS



IC - INSULATION CONTACT HOUSING ICAT - INSULATION CONTACT / AIR TIGHT CP - CHICAGO PLENUM



BOX SIZE	L 1	L 2	W	H
A	15 - 7/16"	11 - 3/4"	8 - 1/2"	6 - 3/4"

RATINGS / CERTIFICATIONS	NC	RET	IC	ICAT	CP
TYPE NON-IC	✓	✓			
TYPE IC			✓	✓	✓
CHICAGO PLENUM (CCEA)					✓
SUITABLE FOR AIR HANDLING PLENUMS	✓	✓	✓	✓	✓
REDUCED AIRFLOW (WITH LENS) ASTM E283	✓	✓	✓	✓	✓

BOX TYPE / LUMEN OUTPUT - STANDARD BEAMS (25° - 50°)			
LUMEN OUTPUT	BOX - A		
	CP	IC	ICAT
10LM	✓	✓	✓

CEILING THICKNESS	
FIXTURE TYPE	MOUNTING TYPE
	STANDARD CEILING THICKNESS
TRIM	1/8" to 1-5/8"
TRIMLESS	3/8" to 1-3/4"
MILLWORK (TRIMLESS)	1/2" to 1-3/4"