

PROJECT INFORMATION		
JOB NAME		TYPE
ORDERING CODE		

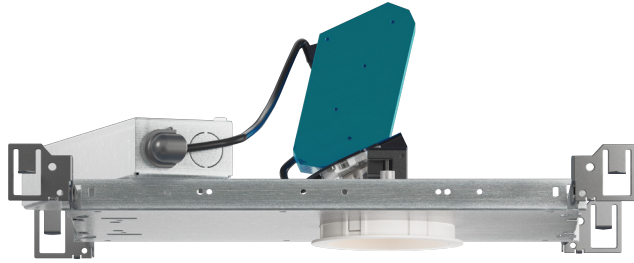
NU3

3" Round Wall Wash Tunable White

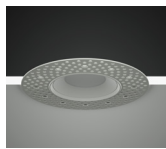


WW BEAM (Note: Specifications are subject to change without notice)		
14mm COB PERFORMANCE DATA LUMINUS		
LED LIGHT ENGINE	NOMINAL DELIVERED LUMENS	SYSTEM WATTAGE
07LM	710LM @35K/95CRI	13W
10LM	1010LM @35K/95CRI	18W
13LM	1310LM @35K/95CRI	24W
Notes	Delivered lumens based on WW optic with no lens, (see page 2)	

WW BEAM (Note: Specifications are subject to change without notice)		
14mm COB PERFORMANCE DATA NICHIA		
LED LIGHT ENGINE	NOMINAL DELIVERED LUMENS	SYSTEM WATTAGE
10LM	1050M @35K/80CRI	15W
15LM	1510M @35K/80CRI	22W
20LM	1850M @35K/80CRI	28W
Notes	Delivered lumens based on WW optic with no lens, (see page 2)	



Trim



Trimless



Trimless Millwork

FEATURES

- An asymmetric reflector with highly efficient BrightView angle bending lens produces excellent wall washing with no scalloping
- 4" set back with 6' on center spacing - 15 FC average
- 3/4" bezel regress with 1/16" micro flange
- Custom finishes available
- Microban® antimicrobial finish available on all exposed painted surfaces

DIMMING AND CONTROLS

- eldoLED flicker free 0-10V dimming to 0%
- eldoLED flicker free DALI dimming to 0%
- Casambi bluetooth dimming to 0%
- nLight control interface dimming to 0%

CONSTRUCTION

- Lexan™ (PC) highly resistant to impact and heat (240°F)
- Optimal material for wireless BLE signal connectivity
- Shatter proof acrylic bezel lens
- Electrocoated 16-gauge cold-rolled steel construction
- Accommodates ceiling thickness from 1/8" to 5/8"
- For servicing the driver/j-box, access above ceiling is required

LED

- Luminus tunable white COB: 95 CRI, R9 > 70: SDCM = 4-step MacAdam Ellipse; Lumen Maintenance: L₇₀ > 54,000 hrs
- Nichia tunable white COB: 80 CRI, R9 > 0: SDCM = 3-step MacAdam Ellipse; Lumen Maintenance: L₉₀ > 33,000 hrs

LISTING

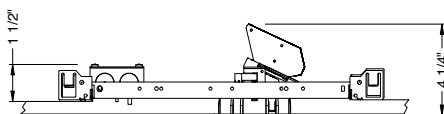
- ULus Listed to UL1598 & UL2108; cUL Listed to CSA C22.2 #250.0
- IP65 with lens - Suitable for wet locations with lens - Suitable for damp locations without lens
- Non-conductive, dead-front construction (shower approved)
- NSF/ANSI-2 with lens (Non-Food and Splash Zones)
- 5 Year Limited warranty

ELECTRICAL

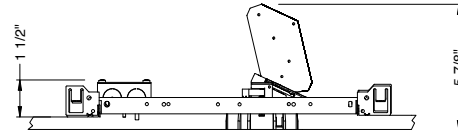
- 120V-277V, 120 only Triac / ELV
- Power factory ≥ 0.9
- 2kV driver input surge protection
- Max. ambient installation temperature 95°F (35°C)

FIXTURE HEIGHT

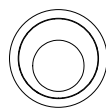
07LM-10LM LOW LUMENS



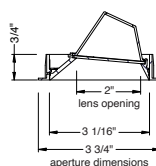
13LM-20LM HIGH LUMENS



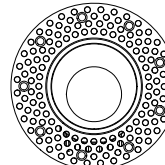
TRIMMED



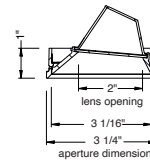
ceiling cutout
3-3/8" diameter
ceiling thickness
1/8" to 5/8"



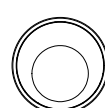
TRIMLESS



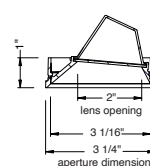
ceiling cutout
3-1/2" diameter
ceiling thickness
3/8" to 5/8"



MILLWORK



ceiling cutout
3-1/2" diameter
ceiling thickness
1/2" to 5/8"



alphabet

PROJECT INFORMATION		
JOB NAME		TYPE
ORDERING CODE		

WW BEAM ORDERING CODE																										
SERIES	NU3	NU3																								
TYPE	RW	round wall wash																								
	RWT	round wall wash trimless																								
	RWTMW	round wall wash trimless millwork																								
LED	TW	tunable white (Luminus)																								
DELIVERED LUMENS	07LM	710 lm																								
	10LM	1010 lm																								
	13LM	1310 lm																								
Standard Configuration: 3500K 95CRI Calculated Delivered Lumens = [Delivered Lumen Value] x [CCT Multiplier]																										
CCT	2765	2700K to 6500K tunable white																								
		<table border="1"> <thead> <tr> <th>CCT</th> <th>2700K</th> <th>3000K</th> <th>3500K</th> <th>4000K</th> <th>5000K</th> <th>5700K</th> <th>6500K</th> </tr> </thead> <tbody> <tr> <td>CCT MULTIPLIER FOR LUMEN OUTPUT</td> <td>0.91</td> <td></td> <td>1.00</td> <td>0.99</td> <td>1.00</td> <td>1.01</td> <td>1.02</td> </tr> <tr> <td>EML RATIO</td> <td>0.49</td> <td>0.57</td> <td>0.68</td> <td>0.79</td> <td>0.96</td> <td>1.04</td> <td>1.12</td> </tr> </tbody> </table>	CCT	2700K	3000K	3500K	4000K	5000K	5700K	6500K	CCT MULTIPLIER FOR LUMEN OUTPUT	0.91		1.00	0.99	1.00	1.01	1.02	EML RATIO	0.49	0.57	0.68	0.79	0.96	1.04	1.12
		CCT	2700K	3000K	3500K	4000K	5000K	5700K	6500K																	
	CCT MULTIPLIER FOR LUMEN OUTPUT	0.91		1.00	0.99	1.00	1.01	1.02																		
	EML RATIO	0.49	0.57	0.68	0.79	0.96	1.04	1.12																		
1840	1800K to 4000K tunable white																									
	<table border="1"> <thead> <tr> <th>CCT</th> <th>1800K</th> <th>2000K</th> <th>2400K</th> <th>2700K</th> <th>3000K</th> <th>3500K</th> <th>4000K</th> </tr> </thead> <tbody> <tr> <td>CCT MULTIPLIER FOR LUMEN OUTPUT</td> <td>0.67</td> <td>0.74</td> <td>0.8</td> <td>0.85</td> <td>0.88</td> <td>0.95</td> <td>1.01</td> </tr> <tr> <td>EML RATIO</td> <td>0.21</td> <td>0.33</td> <td>0.46</td> <td>0.53</td> <td>0.59</td> <td>0.67</td> <td>0.73</td> </tr> </tbody> </table>	CCT	1800K	2000K	2400K	2700K	3000K	3500K	4000K	CCT MULTIPLIER FOR LUMEN OUTPUT	0.67	0.74	0.8	0.85	0.88	0.95	1.01	EML RATIO	0.21	0.33	0.46	0.53	0.59	0.67	0.73	
	CCT	1800K	2000K	2400K	2700K	3000K	3500K	4000K																		
CCT MULTIPLIER FOR LUMEN OUTPUT	0.67	0.74	0.8	0.85	0.88	0.95	1.01																			
EML RATIO	0.21	0.33	0.46	0.53	0.59	0.67	0.73																			
CRI	95	95 typical, 90 minimum																								
OPTIC & LM MULTIPLIER SEE PAGE 4	WW	wall wash with diffused angle bending lens																								
TRIM COLOR SEE PAGE 4	BK	black																								
	WH	white																								
	MC	matte chrome																								
	BZ	bronze																								
	WT	wheat																								
	CC¹	custom color, consult factory for details																								
Antimicrobial finish, add AM to black, white or matte chrome i.e. BKAM.																										
Not applicable to trimless option. Do not include in trimless ordering code.																										
BEZEL COLOR SEE PAGE 4	BK	black (0.98)																								
	WH	white (1.00)																								
	MC	matte chrome (0.99)																								
	BZ	bronze (0.98)																								
	WT	wheat (0.99)																								
	CC¹	custom color, consult factory for details																								
Antimicrobial finish, add AM to black, white or matte chrome i.e. BKAM.																										

WW BEAM ORDERING CODE		
MOUNTING OPTIONS SEE PAGE 7, 8	NC	new construction with ceiling fitting plate
	RET	retrofit, no ceiling fitting plate
For servicing the driver/j-box access above ceiling is required.		
VOLTAGE	120	120V
	UNV	120V-277V
DIMMING	DIM10Z²	eldoLED flicker free 0-10V dimming to 0%
	DALIZ	eldoLED flicker free DALI dimming to 0%
	NLT	nLight control interface: standard Cat-5/RJ45 connection (female), dimming to 0%
	CASZ	Casambi Bluetooth dim to zero

ADDITIONAL MOUNTING INFO	
New Construction Bar Hangers (included)	Mounting Length: 14-3/4" to 26"
Extension Kit p/n: K20266 (ordered separately, 1 per fixture)	Extends a pair of Bar Hangers Total Mounting Length: 29" to 48"

YOUR COMPLETED ORDERING CODE
Follow the steps to specify your fixture, example:
NU3 - RW - TW - 13LM - 2765 - 95 - WW - WH - WH - NC - UNV - CASZ

NOTES

1. Custom set up fee plus minimum quantity required per color.
2. Requires 2 wall controllers (see wiring diagram).

*EML = equivalent melanopic lux. To calculate EML, multiply the measured photopic lux by the EML ratio for the given CCT.
Example: 254 lux x 0.79 = 200 melanopic lux at 4000K.

alphabet

PROJECT INFORMATION		
JOB NAME		TYPE
ORDERING CODE		

NICHIA TUNABLE WHITE - ORDERING CODE							
SERIES	NU3	NU3					
TYPE	RW	round wall wash					
	RWT	round wall wash trimless					
	RWTMW	round wall wash trimless millwork					
LED	TW	tunable white (Nichia)					
DELIVERED LUMENS	10LM	1050 lm					
	15LM	1510 lm					
	20LM	1850 lm					
Standard Configuration: 3500K 80CRI Calculated Delivered Lumens = [Delivered Lumen Value] x [CCT Multiplier]							
CCT	2750	2700K to 5000K tunable white					
		CCT	2700K	3000K	3500K	4000K	5000K
		EML RATIO	0.43	0.51	0.63	0.69	0.80
CRI	80	80 CRI					
OPTIC & LM MULTIPLIER SEE PAGE 4	WW	wall wash with diffused angle bending lens					
TRIM COLOR SEE PAGE 4	BK	black					
	WH	white					
	MC	matte chrome					
	BZ	bronze					
	WT	wheat					
	CC¹	custom color, consult factory for details					
Antimicrobial finish, add AM to black, white or matte chrome i.e. BKAM.							
Not applicable to trimless option. Do not include in trimless ordering code.							
BEZEL COLOR SEE PAGE 4	BK	black					(0.98)
	WH	white					(1.00)
	MC	matte chrome					(0.99)
	BZ	bronze					(0.98)
	WT	wheat					(0.99)
	CC¹	custom color, consult factory for details					
Antimicrobial finish, add AM to black, white or matte chrome i.e. BKAM.							

NICHIA TUNABLE WHITE - ORDERING CODE		
MOUNTING OPTIONS SEE PAGE 7, 8	NC	new construction with ceiling fitting plate
	RET	retrofit, no ceiling fitting plate
For servicing the driver/j-box access above ceiling is required.		
VOLTAGE	120	120V
	UNV	120V-277V
DIMMING	DIM10Z²	eldoLED flicker free 0-10V dimming to 0%
	DALIZ	eldoLED flicker free DALI dimming to 0%
	NLT	nLight control interface: standard Cat-5/RJ45 connection (female), dimming to 0%
	CASZ	Casambi Bluetooth dim to zero

ADDITIONAL MOUNTING INFO	
New Construction Bar Hangers (included)	Mounting Length: 14-3/4" to 26"
Extension Kit p/n: K20266 (ordered separately, 1 per fixture)	Extends a pair of Bar Hangers Total Mounting Length: 29" to 48"

YOUR COMPLETED ORDERING CODE
Follow the steps to specify your fixture, example:
NU3 - RW - TW - 15LM - 2750 - 80 - WW - WH - WH - NC - UNV - CASZ

NOTES

1. Custom set up fee plus minimum quantity required per color.
2. Requires 2 wall controllers (see wiring diagram).

*EML = equivalent melanopic lux. To calculate EML, multiply the measured photopic lux by the EML ratio for the given CCT.
Example: 254 lux x 0.79 = 200 melanopic lux at 4000K.

alphabet

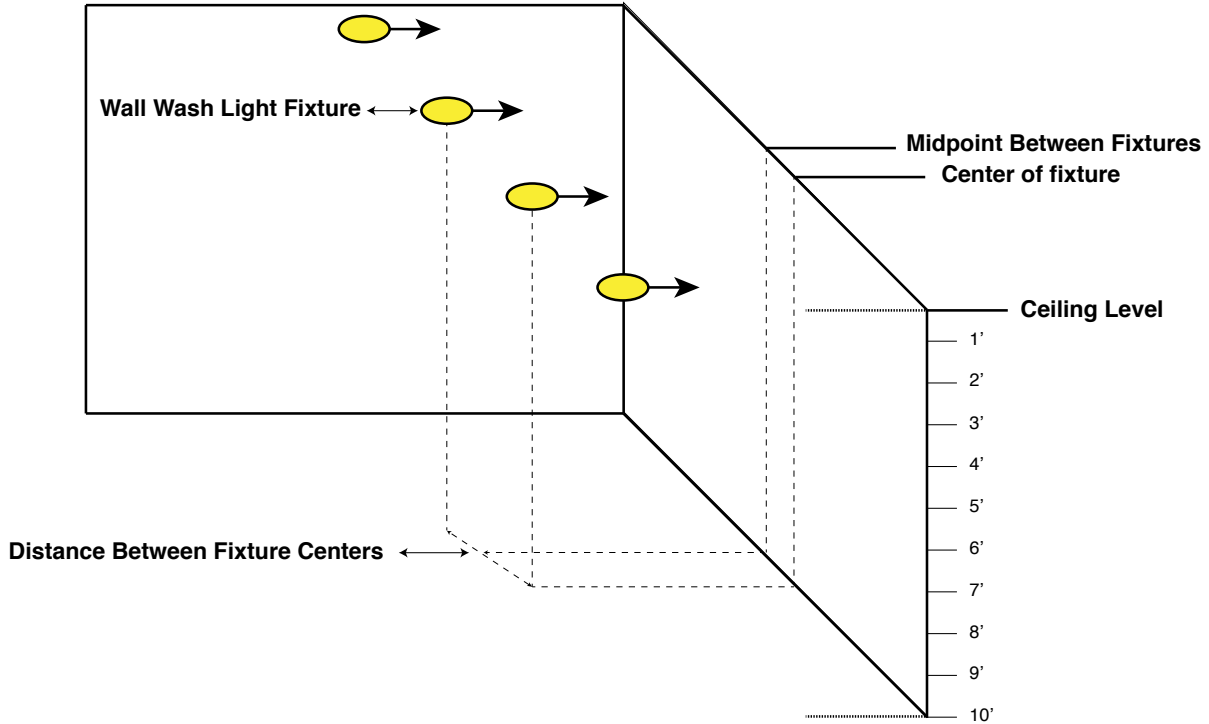
PROJECT INFORMATION		
JOB NAME		TYPE
ORDERING CODE		

TRIM OPTIONS

TRIM/BEZEL COLORS



PHOTOMETRIC DATA DIAGRAM



PHOTOMETRIC DATA CHARTS LUMINUS

FOOT CANDLE MEASUREMENT

TUNABLE WHITE WALL WASH 13LM, 95CRI, 3500K																		
Mounting Distance	2' from wall						3' from wall						4' from wall					
	2' on center		3' on center		4' on center		2' on center		3' on center		4' on center		3' on center		4' on center		6' on center	
Fixture Spacing	2' on center		3' on center		4' on center		2' on center		3' on center		4' on center		3' on center		4' on center		6' on center	
Distance from Ceiling	Center	Mid Point	Center	Mid Point	Center	Mid Point	Center	Mid Point	Center	Mid Point	Center	Mid Point	Center	Mid Point	Center	Mid Point	Center	Mid Point
1'	13	13	9	8	8	5	4	5	3	3	3	2	1	1	1	1	1	6
2'	46	49	31	33	26	22	13	13	9	10	7	7	4	4	3	3	2	9
3'	54	56	39	39	29	29	28	29	21	22	15	17	9	9	7	7	5	9
4'	44	46	33	34	26	25	32	33	25	25	19	20	15	15	12	12	8	9
5'	32	34	25	26	20	20	29	30	23	24	19	19	17	17	14	14	9	8
6'	23	24	19	19	15	15	24	24	20	20	16	17	16	17	14	14	10	8
7'	17	17	14	14	12	12	19	19	16	17	13	14	15	15	13	13	9	8
8'	12	13	10	11	9	9	15	15	13	13	11	11	13	13	11	12	8	7
9'	9	9	8	8	7	7	12	12	10	11	9	9	11	11	10	10	7	7
10'	7	7	6	6	5	6	9	9	8	9	7	8	9	9	8	8	6	7

NOTE

1. Performance based on typical reflectance values and room dimensions. IES files available at ledbrands.com

PROJECT INFORMATION		
JOB NAME		TYPE
ORDERING CODE		

PHOTOMETRIC DATA CHARTS LUMINUS

FOOT CANDLE MEASUREMENT

TUNABLE WHITE WALL WASH 10LM, 95CRI, 3500K																		
Mounting Distance	2' from wall						3' from wall						4' from wall					
Fixture Spacing	2' on center		3' on center		4' on center		2' on center		3' on center		4' on center		3' on center		4' on center		6' on center	
Distance from Ceiling	Center	Mid Point	Center	Mid Point	Center	Mid Point	Center	Mid Point	Center	Mid Point	Center	Mid Point	Center	Mid Point	Center	Mid Point	Center	Mid Point
1'	10	10	7	6	7	4	3	4	3	2	2	2	1	1	1	1	1	5
2'	36	38	24	26	20	17	10	10	7	7	6	5	3	3	3	2	2	7
3'	42	44	30	30	23	23	22	23	16	17	12	13	7	7	5	6	4	7
4'	34	36	26	26	20	20	25	26	19	20	15	15	11	12	9	10	6	7
5'	25	26	20	20	16	16	23	23	18	19	15	15	13	14	11	11	7	6
6'	18	19	15	15	12	12	19	19	15	16	13	13	13	13	11	11	8	6
7'	13	13	11	11	9	9	15	15	13	13	10	11	12	12	10	10	7	6
8'	10	10	8	8	7	7	12	12	10	10	9	9	10	10	9	9	7	6
9'	7	7	6	6	5	5	9	9	8	8	7	7	9	9	7	8	6	6
10'	5	5	5	5	4	4	7	7	6	7	6	6	7	7	6	7	5	5

TUNABLE WHITE WALL WASH 07LM, 95CRI, 3500K																		
Mounting Distance	2' from wall						3' from wall						4' from wall					
Fixture Spacing	2' on center		3' on center		4' on center		2' on center		3' on center		4' on center		3' on center		4' on center		6' on center	
Distance from Ceiling	Center	Mid Point	Center	Mid Point	Center	Mid Point	Center	Mid Point	Center	Mid Point	Center	Mid Point	Center	Mid Point	Center	Mid Point	Center	Mid Point
1'	7	7	5	4	5	3	2	2	2	2	1	1	1	1	1	1	1	3
2'	25	26	17	18	14	12	7	7	5	5	4	4	2	2	2	2	1	5
3'	29	30	21	21	16	16	15	16	11	12	8	9	5	5	4	4	3	5
4'	24	25	18	18	14	14	17	18	13	14	10	11	8	8	6	7	4	5
5'	17	18	14	14	11	11	16	16	12	13	10	10	9	9	7	8	5	4
6'	12	13	10	10	8	8	13	13	11	11	9	9	9	9	7	8	5	4
7'	9	9	8	8	6	6	10	10	9	9	7	8	8	8	7	7	5	4
8'	7	7	6	6	5	5	8	8	7	7	6	6	7	7	6	6	5	4
9'	5	5	4	4	4	4	6	6	6	6	5	5	6	6	5	5	4	4
10'	4	4	3	3	3	3	5	5	4	5	4	4	5	5	4	5	3	4

NOTE

1. Performance based on typical reflectance values and room dimensions. IES files available at ledbrands.com

PROJECT INFORMATION		
JOB NAME		TYPE
ORDERING CODE		

PHOTOMETRIC DATA CHARTS NICHA

FOOT CANDLE MEASUREMENT

TUNABLE WHITE WALL WASH 20LM, 80CRI, 3500K																		
Mounting Distance	2' from wall						3' from wall						4' from wall					
Fixture Spacing	2' on center		3' on center		4' on center		2' on center		3' on center		4' on center		3' on center		4' on center		6' on center	
Distance from Ceiling	Center	Mid Point	Center	Mid Point	Center	Mid Point	Center	Mid Point	Center	Mid Point	Center	Mid Point	Center	Mid Point	Center	Mid Point	Center	Mid Point
1'	17.9	17.8	13.3	11	11.9	6.6	6.2	6.4	4.5	4.3	3.7	3	2	2	1.6	1.5	1.3	8.7
2'	65.2	68.8	43.9	47.2	36.1	31.4	18.1	18.7	13	13.5	10.2	9.9	5.7	5.8	4.5	4.4	3.3	12.7
3'	76.8	79.4	55	55.3	41.6	41.6	40.1	41.6	29	30.6	21.8	23.6	12.4	12.6	9.6	10	6.9	13
4'	62.3	64.8	47	47.4	36.3	35.7	45.2	47	35	35.5	27.1	27.7	20.8	21.5	16.3	17.2	11	12.1
5'	45.7	47.3	35.7	36.7	28.3	28.2	40.9	41.9	32.4	33.8	26.3	26.5	23.8	24.5	19.5	19.7	13.2	11.5
6'	32.8	33.8	26.6	27.3	21.4	21.8	33.8	34.5	27.7	28.8	22.8	23.5	23.1	23.9	19.2	19.8	13.8	11.2
7'	23.6	24.2	19.7	20.2	16.2	16.6	26.9	27.4	22.6	23.5	19	19.7	20.9	21.4	17.6	18.4	13.1	10.9
8'	17.2	17.6	14.7	15.1	12.4	12.7	21.2	21.5	18.2	18.8	15.6	16.1	18.1	18.5	15.6	16.2	11.7	10.5
9'	12.8	13.1	11.2	11.5	9.6	9.9	16.6	16.9	14.6	15	12.7	13	15.4	15.7	13.4	13.9	10.3	9.9
10'	9.7	9.9	8.6	8.8	7.5	7.7	13.1	13.3	11.7	12	10.3	10.6	12.9	13.2	11.4	11.8	8.9	9.2

TUNABLE WHITE WALL WASH 15LM, 80CRI, 3500K																		
Mounting Distance	2' from wall						3' from wall						4' from wall					
Fixture Spacing	2' on center		3' on center		4' on center		2' on center		3' on center		4' on center		3' on center		4' on center		6' on center	
Distance from Ceiling	Center	Mid Point	Center	Mid Point	Center	Mid Point	Center	Mid Point	Center	Mid Point	Center	Mid Point	Center	Mid Point	Center	Mid Point	Center	Mid Point
1'	14.6	14.5	10.9	9	9.7	5.4	5	5.2	3.6	3.5	3	2.5	1.6	1.6	1.3	1.2	1	7.1
2'	53.2	56.2	35.8	38.5	29.5	25.6	14.8	15.3	10.6	11	8.3	8.1	4.6	4.7	3.7	3.6	2.7	10.4
3'	62.7	64.8	44.9	45.1	33.9	33.9	32.7	34	23.6	25	17.8	19.3	10.1	10.3	7.9	8.2	5.6	10.6
4'	50.8	52.9	38.3	38.7	29.6	29.1	36.9	38.4	28.6	28.9	22.1	22.6	17	17.5	13.3	14	8.9	9.9
5'	37.3	38.6	29.1	30	23.1	23	33.3	34.2	26.4	27.6	21.5	21.6	19.4	20	15.9	16.1	10.8	9.4
6'	26.7	27.6	21.7	22.2	17.4	17.8	27.6	28.1	22.6	23.5	18.6	19.1	18.9	19.5	15.7	16.2	11.2	9.1
7'	19.2	19.8	16.1	16.5	13.2	13.6	22	22.4	18.5	19.1	15.5	16.1	17.1	17.5	14.4	15	10.7	8.9
8'	14.1	14.4	12	12.3	10.1	10.4	17.3	17.5	14.8	15.3	12.7	13.1	14.8	15.1	12.7	13.2	9.6	8.6
9'	10.5	10.7	9.1	9.4	7.8	8.1	13.6	13.8	11.9	12.3	10.3	10.6	12.6	12.8	11	11.4	8.4	8.1
10'	7.9	8.1	7	7.2	6.1	6.3	10.7	10.8	9.5	9.8	8.4	8.6	10.6	10.8	9.3	9.6	7.3	7.5

TUNABLE WHITE WALL WASH 10LM, 80CRI, 3500K																		
Mounting Distance	2' from wall						3' from wall						4' from wall					
Fixture Spacing	2' on center		3' on center		4' on center		2' on center		3' on center		4' on center		3' on center		4' on center		6' on center	
Distance from Ceiling	Center	Mid Point	Center	Mid Point	Center	Mid Point	Center	Mid Point	Center	Mid Point	Center	Mid Point	Center	Mid Point	Center	Mid Point	Center	Mid Point
1'	10.2	10.1	7.6	6.3	6.7	3.8	3.5	3.6	2.5	2.5	2.1	1.7	1.1	1.1	0.9	0.8	0.7	5
2'	37	39.1	24.9	26.8	20.5	17.8	10.3	10.6	7.4	7.7	5.8	5.6	3.2	3.3	2.5	2.5	1.9	7.2
3'	43.6	45.1	31.2	31.4	23.6	23.6	22.8	23.6	16.5	17.4	12.4	13.4	7.1	7.2	5.5	5.7	3.9	7.4
4'	35.4	36.8	26.7	26.9	20.6	20.3	25.7	26.7	19.9	20.1	15.4	15.7	11.8	12.2	9.3	9.8	6.2	6.9
5'	26	26.9	20.3	20.9	16.1	16	23.2	23.8	18.4	19.2	14.9	15.1	13.5	13.9	11.1	11.2	7.5	6.6
6'	18.6	19.2	15.1	15.5	12.1	12.4	19.2	19.6	15.7	16.4	12.9	13.3	13.1	13.6	10.9	11.3	7.8	6.4
7'	13.4	13.8	11.2	11.5	9.2	9.4	15.3	15.6	12.9	13.3	10.8	11.2	11.9	12.2	10	10.5	7.4	6.2
8'	9.8	10	8.4	8.6	7	7.2	12	12.2	10.3	10.7	8.8	9.1	10.3	10.5	8.8	9.2	6.7	6
9'	7.3	7.4	6.3	6.5	5.5	5.6	9.4	9.6	8.3	8.5	7.2	7.4	8.8	8.9	7.6	7.9	5.8	5.7
10'	5.5	5.6	4.9	5	4.3	4.4	7.5	7.6	6.6	6.8	5.8	6	7.4	7.5	6.5	6.7	5.1	5.3

NOTE

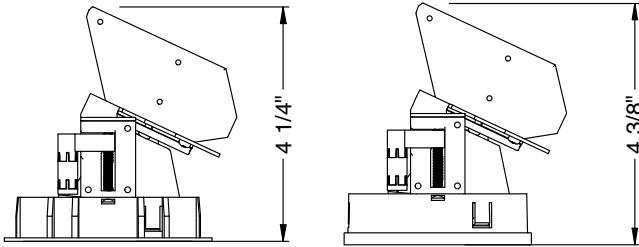
1. Performance based on typical reflectance values and room dimensions. IES files available at ledbrands.com

PROJECT INFORMATION		
JOB NAME	TYPE	
ORDERING CODE		

MOUNTING OPTIONS

FIXTURE HEIGHT

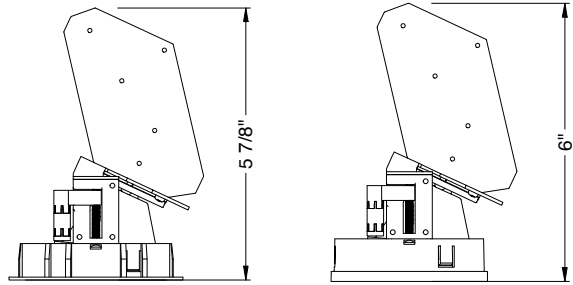
07LM - 10LM LOW LUMENS



TRIMMED

TRIMLESS & MILLWORK

13LM-20LM HIGH LUMENS

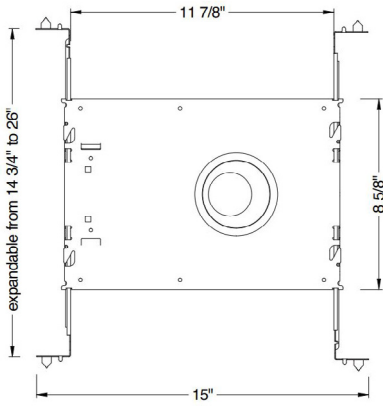
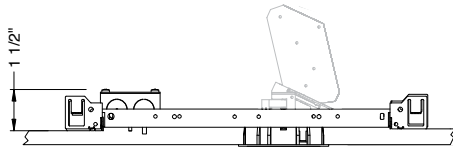


TRIMMED

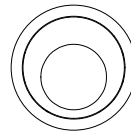
TRIMLESS & MILLWORK

NC - NEW CONSTRUCTION

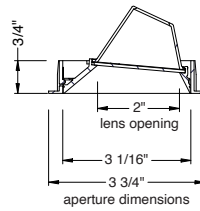
TRIM



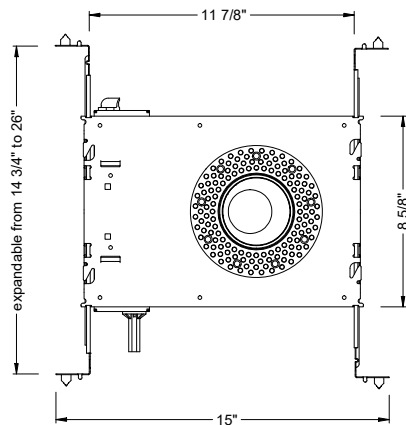
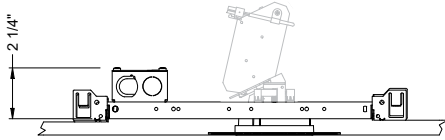
TRIM



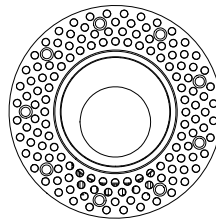
ceiling cutout
3-3/8" diameter
ceiling thickness
1/8" to 5/8"



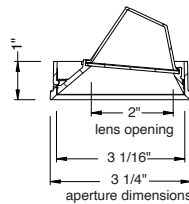
TRIMLESS



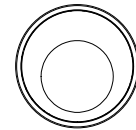
TRIMLESS



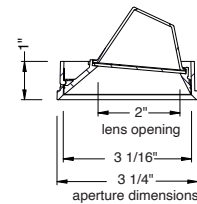
ceiling cutout
3-1/2" diameter
ceiling thickness
3/8" to 5/8"



TRIMLESS/MILLWORK



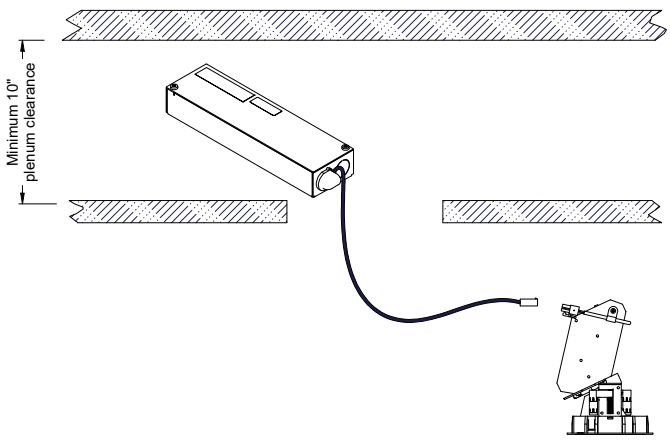
ceiling cutout
3-1/2" diameter
ceiling thickness
1/2" to 5/8"



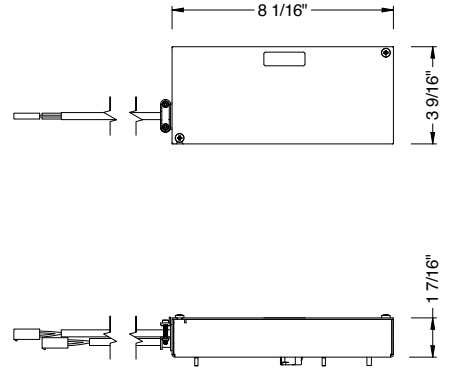
PROJECT INFORMATION		
JOB NAME	TYPE	
ORDERING CODE		

MOUNTING OPTIONS

RET - RETRO TRIM/TRIMLESS



NC - DROVER BOX SIZE TRIM/TRIMLESS



NOTE
For servicing the driver/j-box, access above ceiling is required. T-Bar type ceilings with removable adjacent tile access recommended. Hard lid ceilings may require access doors directly adjacent to luminaire.

RATINGS / CERTIFICATIONS	NC	RET
TYPE NON-IC	✓	✓
TYPE IC		
CHICAGO PLENUM (CCEA)		
SUITABLE FOR AIR HANDLING PLENUMS	✓	✓
REDUCED AIRFLOW (WITH LENS) ASTM E283	✓	✓

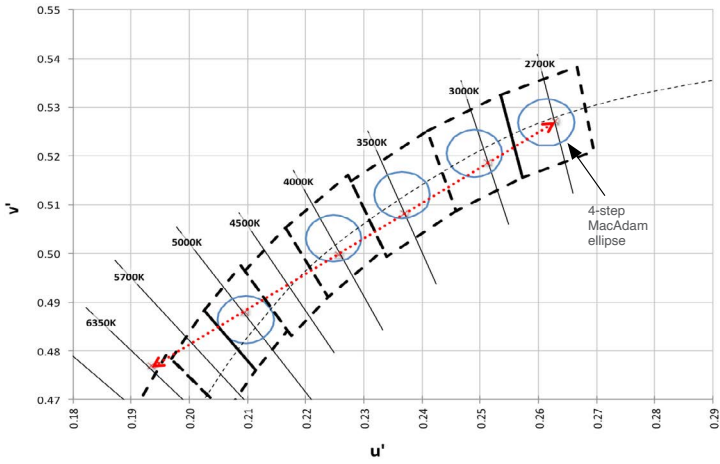
CEILING THICKNESS	
FIXTURE TYPE	MOUNTING TYPE
	CEILING THICKNESS
TRIM	1/8" to 5/8"
TRIMLESS	3/8" to 5/8"
MILLWORK (TRIMLESS)	1/2" to 5/8"

PROJECT INFORMATION		
JOB NAME	TYPE	
ORDERING CODE		

TUNABLE WHITE

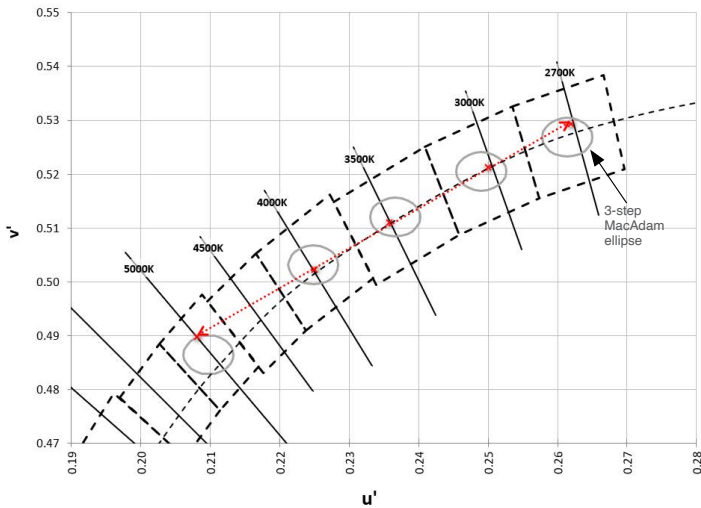
LUMINUS 95CRI

Chromaticity Coordinates (CIE 1976) & CCT range



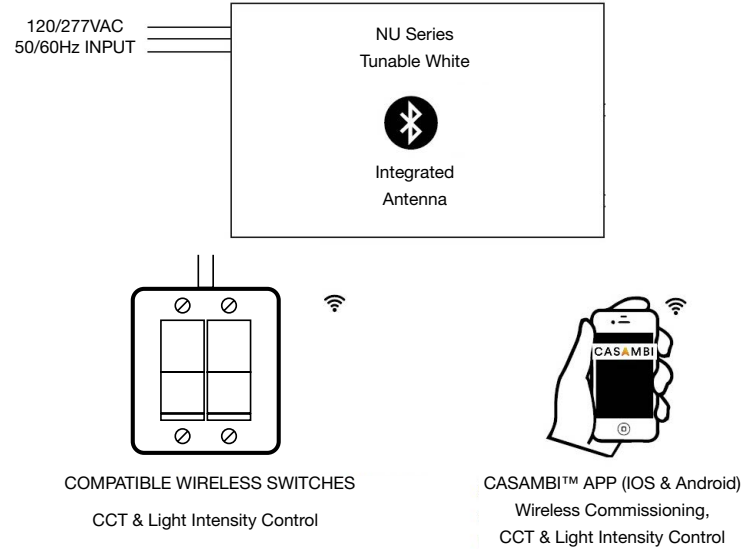
NICHIA 80CRI

Chromaticity Coordinates (CIE 1976) & CCT range

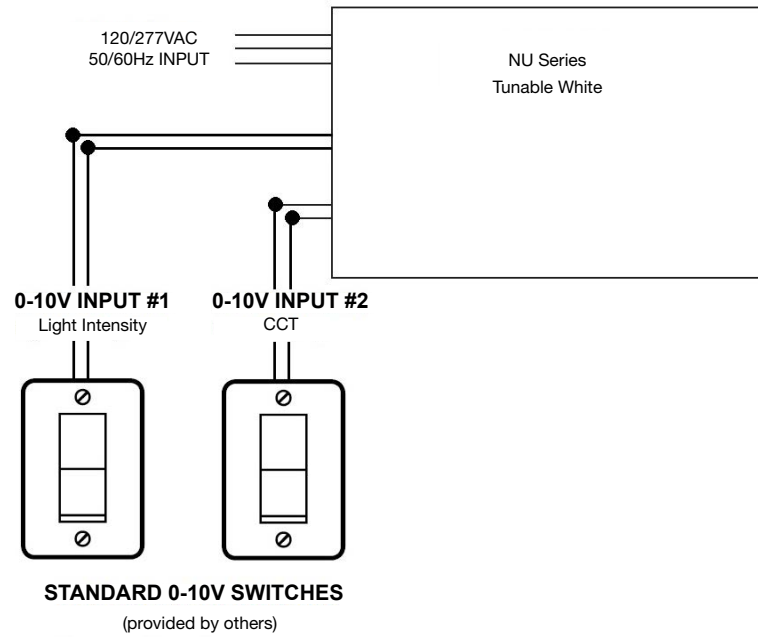


WIRING DIAGRAMS

“CAS” CASAMBI CONTROLS



“DIM10Z” HARDWIRED 0-10V CONTROL



NOTES

- 1 Consult factory to order compatible wireless switches.