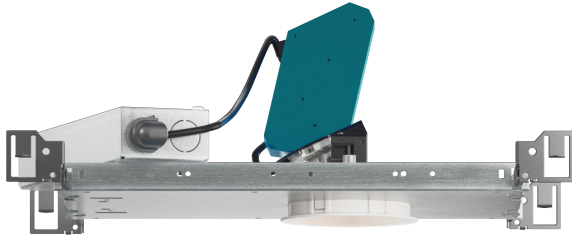


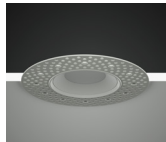
PROJECT INFORMATION		
JOB NAME		TYPE
ORDERING CODE		

NU3

3" Round Wall Wash Standard White



Trim



Trimless



Trimless Millwork

WW BEAM		
(Note: Specifications are subject to change without notice)		
14mm COB PERFORMANCE DATA		
LED LIGHT ENGINE	NOMINAL DELIVERED LUMENS	SYSTEM WATTAGE
10LM	630LM @30K/80CRI	9W
15LM	960LM @30K/80CRI	13W
20LM	1260LM @30K/80CRI	17W
25LM	1540LM @30K/80CRI	21W
30LM	1860LM @30K/80CRI	27W
35LM	2090LM @30K/80CRI	30W
40LM	2310LM @30K/80CRI	35W
10LM	530LM @30K/90CRI	9W
15LM	810LM @30K/90CRI	13W
20LM	1060LM @30K/90CRI	17W
25LM	1300LM @30K/90CRI	21W
30LM	1570LM @30K/90CRI	27W
35LM	1760LM @30K/90CRI	30W
40LM	1950LM @30K/90CRI	35W
Note	Delivered lumens based on WW optic with no lens, (see page 2)	



FEATURES

- An asymmetric reflector with highly efficient BrightView angle bending lens produces excellent wall washing with no scalloping
- 4" set back with 6' on center spacing - 15 FC average
- 3/4" bezel regress with 1/16" micro flange
- Custom finishes available
- Microban[®] antimicrobial finish available on all exposed painted surfaces

DIMMING AND CONTROLS

- eldoLED flicker free 0-10V dimming to 0% and 1%
- eldoLED flicker free DALI dimming to 0% and 1%
- Lutron Hi-lume 0.1% Ecosystem
- Lutron athena wireless node
- Leading & trailing edge (Triac/ELV) dimming to 1%
- Casambi bluetooth dimming to 1%
- NLight control interface dimming to 0%

CONSTRUCTION

- Lexan[™] (PC) highly resistant to impact and heat (240°F)
- Optimal material for wireless BLE signal connectivity
- Shatter proof acrylic bezel lens
- Electrocoated 16-gauge cold-rolled steel construction
- Accommodates ceiling thickness from 1/8" to 5/8"

LED

- 90 CRI: SDCM = 2-step MacAdam Ellipse, Lumen Maintenance: L₇₀ > 66,000 hrs
- 80 CRI: SDCM = 2-step MacAdam Ellipse, Lumen Maintenance: L₇₀ > 66,000 hrs

LISTING

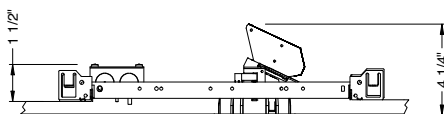
- ULus Listed to UL1598 & UL2108; cUL Listed to CSA C22.2 #250.0
- IP65 with lens - Suitable for wet locations with lens - Suitable for damp locations without lens
- Non-conductive, dead-front construction (shower approved)
- NSF/ANSI-2 with lens (Non-Food and Splash Zones)
- 5 Year Limited warranty

ELECTRICAL

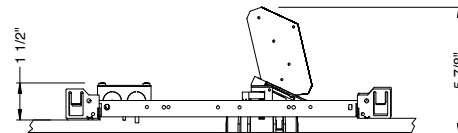
- 120V-277V, 120 only Triac / ELV
- Power factory ≥ 0.9
- 2kV driver input surge protection
- Remote emergency test switch
- 7W, 10W (T20 CEC) and 12W EM 90min battery
- Max. ambient installation temperature 95°F (35°C)

FIXTURE HEIGHT

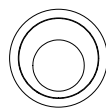
10LM-30LM LOW LUMENS



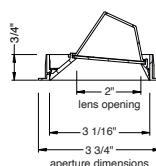
35LM-40LM HIGH LUMENS



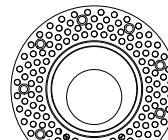
TRIMMED



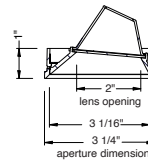
ceiling cutout
3-3/8" diameter
ceiling thickness
1/8" to 5/8"



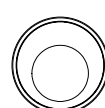
TRIMLESS



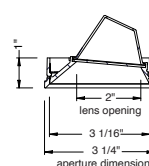
ceiling cutout
3-1/2" diameter
ceiling thickness
3/8" to 5/8"



MILLWORK



ceiling cutout
3-1/2" diameter
ceiling thickness
1/2" to 5/8"



alphabet

PROJECT INFORMATION		
JOB NAME		TYPE
ORDERING CODE		

WW BEAM ORDERING CODE																	
SERIES	NU3	NU3															
TYPE	RW	round wall wash															
	RWT	round wall wash trimless															
	RWTMW	round wall wash trimless millwork															
LED	SW	standard white															
DELIVERED LUMENS	10LM	630 lm															
	15LM	960 lm															
	20LM	1260 lm															
	25LM	1540 lm															
	30LM	1860 lm															
	35LM¹	2090 lm															
	40LM¹	2310 lm															
Standard Configuration: 3000K 80CRI Calculated Delivered Lumens = [Delivered Lumen Value] x [CCT Multiplier]																	
CCT	27K	2700K															
	30K	3000K															
	35K	3500K															
	40K	4000K															
<table border="1"> <thead> <tr> <th>CCT</th> <th>2700K</th> <th>3000K</th> <th>3500K</th> <th>4000K</th> </tr> </thead> <tbody> <tr> <td>CRI</td> <td>80+</td> <td>90+</td> <td>80+</td> <td>90+</td> </tr> <tr> <td>CCT MULTIPLIER FOR LUMEN OUTPUT</td> <td>0.96</td> <td>0.81</td> <td>1.00</td> <td>0.85</td> </tr> </tbody> </table>			CCT	2700K	3000K	3500K	4000K	CRI	80+	90+	80+	90+	CCT MULTIPLIER FOR LUMEN OUTPUT	0.96	0.81	1.00	0.85
CCT	2700K	3000K	3500K	4000K													
CRI	80+	90+	80+	90+													
CCT MULTIPLIER FOR LUMEN OUTPUT	0.96	0.81	1.00	0.85													
CRI	80	80 CRI															
	90	90 CRI															
OPTIC & LM MULTIPLIER SEE PAGE 3, 4, 5	WW	wall wash with diffused angle bending lens															
TRIM COLOR SEE PAGE 3	BK	black															
	WH	white															
	MC	matte chrome															
	BZ	bronze															
	WT	wheat															
	CC²	custom color, consult factory for details															
Antimicrobial finish, add AM to black, white or matte chrome i.e. BKAM.																	
Not applicable to trimless option. Do not include in trimless ordering code.																	
BEZEL COLOR SEE PAGE 3	BK	black (0.98)															
	WH	white (1.00)															
	MC	matte chrome (0.99)															
	BZ	bronze (0.98)															
	WT	wheat (0.99)															
	CC²	custom color, consult factory for details															
Antimicrobial finish, add AM to black, white or matte chrome i.e. BKAM.																	

WW BEAM ORDERING CODE		
MOUNTING OPTIONS SEE PAGE 6, 7	NC	new construction with ceiling fitting plate
	IC³	insulation contact housing
	ICAT³	insulation contact/airtight housing
	CP³	chicago plenum housing
	RET	retrofit, no ceiling fitting plate
VOLTAGE	I20	120V
	UNV	120V-277V
DIMMING	DIM10⁴	eldoLED flicker free 0-10V dimming to 1%
	DIM10Z	eldoLED flicker free 0-10V dimming to 0%
	DALI	eldoLED flicker free DALI dimming to 1%
	DALIZ	eldoLED flicker free DALI dimming to 0%
	LUTP⁵	Lutron Hi-lume Premier Ecosystem dimming to 0.1%, Soft-on & Fade-to-Black
	ELV1⁶	leading & trailing edge (Triac/ELV) dimming to 1%
	NLT	nLight control interface: standard Cat-5/RJ45 connection (female), dim to off
ELECTRICAL OPTIONS	CAS	Casambi Bluetooth control with flicker free 1% dimming
	AWN⁷	lutron athena wireless node
ELECTRICAL OPTIONS	EM7	emergency battery backup, 90 minutes at 7W to LED
	EM12	emergency battery backup, 90 minutes at 12W to LED
	EM10CA20	remote emergency battery backup, 90 minutes at 10W to LED, CA title 20

ADDITIONAL MOUNTING INFO	
New Construction Bar Hangers (included)	Mounting Length: 14-3/4" to 26"
Extension Kit p/n: K20266 (ordered separately, 1 per fixture)	Extends a pair of Bar Hangers Total Mounting Length: 29" to 48"

YOUR COMPLETED ORDERING CODE
Follow the steps to specify your fixture, example:
NU3 - RW - SW - 25LM - 30K - 90 - WW - WH - WH - NC - UNV - DIM10 - EM7

NOTES

- 35LM/40LM available with ELV1/DIM10 dimming.
- Custom set up fee plus minimum quantity required per color.
- IC/ICAT/CP not available in 35LM/40LM.
- DIM10 code uses ERP 1% Driver for 35LM/40LM.
- LUTP not available in 25LM/30LM/35LM/40LM.
- ELV1 (120V) not available in 10LM.
- AWN⁷ reference page 9 for product specifications on Athena wireless node.

*EldoLED uses logarithmic dimming curve as standard. For linear dimming curve, add "LIN" after dimming code, i.e. DIM10LIN.

alphabet

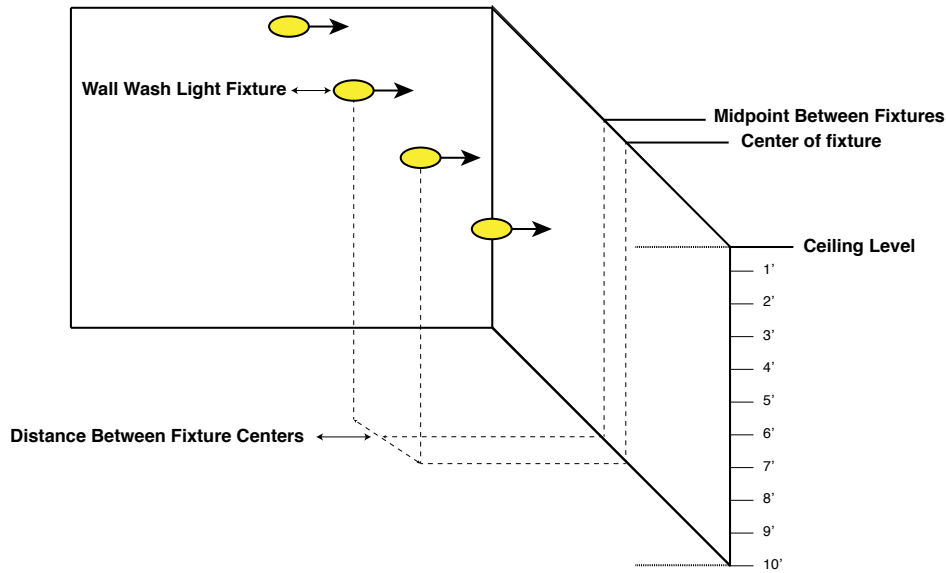
PROJECT INFORMATION		
JOB NAME		TYPE
ORDERING CODE		

TRIM OPTIONS

TRIM/BEZEL COLORS



PHOTOMETRIC DATA DIAGRAM



PHOTOMETRIC DATA CHARTS

FOOT CANDLE MEASUREMENT

STANDARD WHITE WALL WASH 40LM, 80CRI, 3000K																		
Mounting Distance	2' from wall						3' from wall						4' from wall					
	2' on center		3' on center		4' on center		2' on center		3' on center		4' on center		3' on center		4' on center		6' on center	
Distance from Ceiling	Center	Mid Point	Center	Mid Point	Center	Mid Point	Center	Mid Point	Center	Mid Point	Center	Mid Point	Center	Mid Point	Center	Mid Point	Center	Mid Point
1'	21.7	21.5	16.1	13.3	14.3	8	7.5	7.7	5.4	5.2	4.4	3.6	2.4	2.4	1.9	1.8	1.6	1
2'	78.7	83.1	52.9	57	43.6	37.9	21.9	22.6	15.7	16.3	12.3	11.9	6.9	7	5.4	5.4	4	3.3
3'	92.7	95.8	66.4	66.8	50.2	50.2	48.4	50.2	35	36.9	26.3	28.5	15	15.2	11.6	12.1	8.3	7.8
4'	75.2	78.2	56.7	57.3	43.8	43.1	54.6	56.8	42.3	42.8	32.7	33.4	25.1	25.9	19.7	20.8	13.2	14.3
5'	55.2	57.1	43.1	44.3	34.2	34	49.3	50.5	39.1	40.8	31.8	32	28.7	29.5	23.5	23.8	15.9	16.8
6'	39.5	40.8	32	32.9	25.8	26.3	40.8	41.6	33.4	34.8	27.5	28.3	27.9	28.9	23.2	24	16.6	16.7
7'	28.5	29.2	23.8	24.4	19.5	20.1	32.5	33.1	27.3	28.3	22.9	23.7	25.3	25.9	21.3	22.2	15.8	15.7
8'	20.8	21.3	17.8	18.2	15	15.4	25.6	25.9	21.9	22.7	18.8	19.4	21.9	22.4	18.8	19.6	14.2	14.3
9'	15.5	15.8	13.5	13.8	11.6	11.9	20.1	20.4	17.6	18.1	15.3	15.7	18.6	19	16.2	16.8	12.4	12.7
10'	11.7	11.9	10.4	10.7	9.1	9.3	15.8	16	14.1	14.5	12.4	12.8	15.6	15.9	13.8	14.3	10.8	11.1

NOTE

1. Performance based on typical reflectance values and room dimensions. IES files available at ledbrands.com

PROJECT INFORMATION		
JOB NAME		TYPE
ORDERING CODE		

PHOTOMETRIC DATA CHARTS

FOOT CANDLE MEASUREMENT

STANDARD WHITE WALL WASH 35LM, 80CRI, 3000K																		
Mounting Distance	2' from wall						3' from wall						4' from wall					
Fixture Spacing	2' on center		3' on center		4' on center		2' on center		3' on center		4' on center		3' on center		4' on center		6' on center	
Distance from Ceiling	Center	Mid Point	Center	Mid Point	Center	Mid Point	Center	Mid Point	Center	Mid Point	Center	Mid Point	Center	Mid Point	Center	Mid Point	Center	Mid Point
1'	19.6	19.4	14.5	12.1	12.9	7.2	6.7	6.9	4.9	4.7	4	3.3	2.2	2.2	1.8	1.6	1.4	0.9
2'	71.2	75.2	47.9	51.6	39.4	34.3	19.8	20.4	14.2	14.7	11.1	10.8	6.2	6.3	4.9	4.9	3.6	3
3'	83.9	86.7	60.1	60.4	45.4	45.4	43.8	45.4	31.6	33.4	23.8	25.8	13.6	13.8	10.5	10.9	7.5	7.1
4'	68	70.8	51.3	51.8	39.7	39	49.4	51.4	38.2	38.7	29.6	30.2	22.7	23.5	17.8	18.8	12	12.9
5'	49.9	51.7	39	40.1	30.9	30.8	44.6	45.7	35.3	37	28.7	29	26	26.7	21.3	21.6	14.4	15.2
6'	35.8	36.9	29	29.8	23.4	23.8	36.9	37.7	30.2	31.5	24.8	25.6	25.2	26.1	21	21.7	15	15.1
7'	25.8	26.4	21.5	22.1	17.7	18.2	29.4	29.9	24.7	25.6	20.7	21.5	22.9	23.4	19.2	20.1	14.3	14.2
8'	18.8	19.2	16.1	16.5	13.5	13.9	23.1	23.5	19.9	20.5	17	17.5	19.8	20.2	17	17.7	12.8	12.9
9'	14	14.3	12.2	12.5	10.5	10.8	18.2	18.4	15.9	16.4	13.8	14.2	16.8	17.2	14.7	15.2	11.2	11.5
10'	10.6	10.8	9.4	9.6	8.2	8.5	14.3	14.5	12.8	13.1	11.2	11.6	14.1	14.4	12.5	12.9	9.7	10

STANDARD WHITE WALL WASH 30LM, 80CRI, 3000K																		
Mounting Distance	2' from wall						3' from wall						4' from wall					
Fixture Spacing	2' on center		3' on center		4' on center		2' on center		3' on center		4' on center		3' on center		4' on center		6' on center	
Distance from Ceiling	Center	Mid Point	Center	Mid Point	Center	Mid Point	Center	Mid Point	Center	Mid Point	Center	Mid Point	Center	Mid Point	Center	Mid Point	Center	Mid Point
1'	17.4	17.3	12.9	10.7	11.5	6.4	6	6.2	4.3	4.2	3.6	2.9	1.9	1.9	1.6	1.4	1.2	0.8
2'	63.3	66.9	42.6	45.9	35.1	30.5	17.6	18.2	12.6	13.1	9.9	9.6	5.5	5.6	4.4	4.3	3.2	2.7
3'	74.6	77.2	53.5	53.8	40.4	40.4	39	40.4	28.2	29.7	21.2	22.9	12.1	12.3	9.4	9.7	6.7	6.3
4'	60.5	63	45.6	46.1	35.3	34.7	44	45.7	34	34.5	26.3	26.9	20.2	20.9	15.8	16.7	10.7	11.5
5'	44.4	46	34.7	35.7	27.5	27.4	39.7	40.7	31.4	32.9	25.6	25.8	23.1	23.8	18.9	19.2	12.8	13.5
6'	31.8	32.8	25.8	26.5	20.8	21.1	32.8	33.5	26.9	28	22.1	22.8	22.5	23.3	18.7	19.3	13.4	13.4
7'	22.9	23.5	19.1	19.6	15.7	16.2	26.2	26.6	22	22.8	18.4	19.1	20.3	20.8	17.1	17.9	12.7	12.7
8'	16.7	17.1	14.3	14.7	12	12.4	20.6	20.9	17.7	18.3	15.1	15.6	17.6	18	15.1	15.8	11.4	11.5
9'	12.5	12.7	10.9	11.1	9.3	9.6	16.2	16.4	14.2	14.6	12.3	12.7	15	15.3	13	13.5	10	10.2
10'	9.4	9.6	8.4	8.6	7.3	7.5	12.8	12.9	11.4	11.7	10	10.3	12.6	12.8	11.1	11.5	8.7	8.9

STANDARD WHITE WALL WASH 25LM, 80CRI, 3000K																		
Mounting Distance	2' from wall						3' from wall						4' from wall					
Fixture Spacing	2' on center		3' on center		4' on center		2' on center		3' on center		4' on center		3' on center		4' on center		6' on center	
Distance from Ceiling	Center	Mid Point	Center	Mid Point	Center	Mid Point	Center	Mid Point	Center	Mid Point	Center	Mid Point	Center	Mid Point	Center	Mid Point	Center	Mid Point
1'	14.4	14.3	10.7	8.9	9.5	5.3	5	5.1	3.6	3.5	2.9	2.4	1.6	1.6	1.3	1.2	1	0.7
2'	52.4	55.4	35.3	38	29.1	25.3	14.6	15	10.4	10.9	8.2	7.9	4.6	4.7	3.6	3.6	2.7	2.2
3'	61.8	63.9	44.3	44.5	33.4	33.5	32.3	33.5	23.3	24.6	17.5	19	10	10.2	7.8	8	5.5	5.2
4'	50.1	52.2	37.8	38.2	29.2	28.7	36.4	37.9	28.2	28.5	21.8	22.3	16.7	17.3	13.1	13.8	8.8	9.5
5'	36.8	38.1	28.7	29.6	22.8	22.7	32.9	33.7	26	27.2	21.2	21.3	19.2	19.7	15.7	15.9	10.6	11.2
6'	26.4	27.2	21.4	21.9	17.2	17.5	27.2	27.8	22.3	23.2	18.3	18.9	18.6	19.3	15.4	16	11.1	11.1
7'	19	19.5	15.8	16.3	13	13.4	21.7	22	18.2	18.9	15.3	15.8	16.8	17.2	14.2	14.8	10.5	10.5
8'	13.9	14.2	11.8	12.2	10	10.3	17	17.3	14.6	15.1	12.5	12.9	14.6	14.9	12.5	13	9.4	9.5
9'	10.3	10.5	9	9.2	7.7	7.9	13.4	13.6	11.7	12.1	10.2	10.5	12.4	12.6	10.8	11.2	8.3	8.5
10'	7.8	8	6.9	7.1	6.1	6.2	10.6	10.7	9.4	9.7	8.3	8.5	10.4	10.6	9.2	9.5	7.2	7.4

NOTE

1. Performance based on typical reflectance values and room dimensions. IES files available at ledrabrands.com

PROJECT INFORMATION		
JOB NAME		TYPE
ORDERING CODE		

PHOTOMETRIC DATA CHARTS

FOOT CANDLE MEASUREMENT

STANDARD WHITE WALL WASH 20LM, 80CRI, 3000K																		
Mounting Distance	2' from wall						3' from wall						4' from wall					
Fixture Spacing	2' on center		3' on center		4' on center		2' on center		3' on center		4' on center		3' on center		4' on center		6' on center	
Distance from Ceiling	Center	Mid Point	Center	Mid Point	Center	Mid Point	Center	Mid Point	Center	Mid Point	Center	Mid Point	Center	Mid Point	Center	Mid Point	Center	Mid Point
1'	11.8	11.7	8.8	7.3	7.8	4.4	4.1	4.2	2.9	2.9	2.4	2	1.3	1.3	1.1	1	0.8	0.6
2'	42.9	45.3	28.9	31.1	23.8	20.7	11.9	12.3	8.5	8.9	6.7	6.5	3.7	3.8	3	2.9	2.2	1.8
3'	50.6	52.3	36.2	36.4	27.4	27.4	26.4	27.4	19.1	20.1	14.3	15.5	8.2	8.3	6.3	6.6	4.5	4.3
4'	41	42.7	30.9	31.2	23.9	23.5	29.8	31	23	23.3	17.8	18.2	13.7	14.1	10.7	11.3	7.2	7.8
5'	30.1	31.1	23.5	24.2	18.6	18.6	26.9	27.6	21.3	22.3	17.3	17.5	15.7	16.1	12.8	13	8.7	9.1
6'	21.6	22.3	17.5	17.9	14.1	14.3	22.2	22.7	18.2	19	15	15.4	15.2	15.8	12.6	13.1	9.1	9.1
7'	15.5	15.9	13	13.3	10.7	11	17.7	18	14.9	15.4	12.5	13	13.8	14.1	11.6	12.1	8.6	8.6
8'	11.3	11.6	9.7	9.9	8.2	8.4	13.9	14.2	12	12.4	10.2	10.6	11.9	12.2	10.2	10.7	7.7	7.8
9'	8.4	8.6	7.4	7.5	6.3	6.5	10.9	11.1	9.6	9.9	8.3	8.6	10.1	10.3	8.8	9.2	6.8	6.9
10'	6.4	6.5	5.7	5.8	5	5.1	8.6	8.8	7.7	7.9	6.8	7	8.5	8.7	7.5	7.8	5.9	6

STANDARD WHITE WALL WASH 15LM, 80CRI, 3000K																		
Mounting Distance	2' from wall						3' from wall						4' from wall					
Fixture Spacing	2' on center		3' on center		4' on center		2' on center		3' on center		4' on center		3' on center		4' on center		6' on center	
Distance from Ceiling	Center	Mid Point	Center	Mid Point	Center	Mid Point	Center	Mid Point	Center	Mid Point	Center	Mid Point	Center	Mid Point	Center	Mid Point	Center	Mid Point
1'	9	8.9	6.7	5.5	5.9	3.3	3.1	3.2	2.2	2.2	1.8	1.5	1	1	0.8	0.7	0.6	0.4
2'	32.7	34.5	22	23.7	18.1	15.8	9.1	9.4	6.5	6.8	5.1	5	2.9	2.9	2.2	2.2	1.7	1.4
3'	38.5	39.8	27.6	27.7	20.8	20.9	20.1	20.9	14.5	15.3	10.9	11.8	6.2	6.3	4.8	5	3.4	3.3
4'	31.2	32.5	23.6	23.8	18.2	17.9	22.7	23.6	17.6	17.8	13.6	13.9	10.4	10.8	8.2	8.6	5.5	5.9
5'	22.9	23.7	17.9	18.4	14.2	14.1	20.5	21	16.2	17	13.2	13.3	11.9	12.3	9.8	9.9	6.6	7
6'	16.4	17	13.3	13.7	10.7	10.9	16.9	17.3	13.9	14.5	11.4	11.8	11.6	12	9.6	10	6.9	6.9
7'	11.8	12.1	9.9	10.1	8.1	8.3	13.5	13.7	11.4	11.8	9.5	9.9	10.5	10.8	8.8	9.2	6.6	6.5
8'	8.6	8.8	7.4	7.6	6.2	6.4	10.6	10.8	9.1	9.4	7.8	8.1	9.1	9.3	7.8	8.1	5.9	5.9
9'	6.4	6.6	5.6	5.7	4.8	4.9	8.3	8.5	7.3	7.5	6.3	6.5	7.7	7.9	6.7	7	5.2	5.3
10'	4.9	5	4.3	4.4	3.8	3.9	6.6	6.7	5.9	6	5.2	5.3	6.5	6.6	5.7	5.9	4.5	4.6

STANDARD WHITE WALL WASH 10LM, 80CRI, 3000K																		
Mounting Distance	2' from wall						3' from wall						4' from wall					
Fixture Spacing	2' on center		3' on center		4' on center		2' on center		3' on center		4' on center		3' on center		4' on center		6' on center	
Distance from Ceiling	Center	Mid Point	Center	Mid Point	Center	Mid Point	Center	Mid Point	Center	Mid Point	Center	Mid Point	Center	Mid Point	Center	Mid Point	Center	Mid Point
1'	5.9	5.9	4.4	3.6	3.9	2.2	2	2.1	1.5	1.4	1.2	1	0.7	0.7	0.5	0.5	0.4	0.3
2'	21.5	22.7	14.4	15.5	11.9	10.3	6	6.2	4.3	4.4	3.3	3.2	1.9	1.9	1.5	1.5	1.1	0.9
3'	25.3	26.1	18.1	18.2	13.7	13.7	13.2	13.7	9.5	10.1	7.2	7.8	4.1	4.2	3.2	3.3	2.3	2.1
4'	20.5	21.3	15.5	15.6	12	11.8	14.9	15.5	11.5	11.7	8.9	9.1	6.8	7.1	5.4	5.7	3.6	3.9
5'	15	15.6	11.7	12.1	9.3	9.3	13.4	13.8	10.7	11.1	8.7	8.7	7.8	8.1	6.4	6.5	4.3	4.6
6'	10.8	11.1	8.7	9	7	7.2	11.1	11.4	9.1	9.5	7.5	7.7	7.6	7.9	6.3	6.5	4.5	4.6
7'	7.8	8	6.5	6.6	5.3	5.5	8.9	9	7.5	7.7	6.2	6.5	6.9	7.1	5.8	6.1	4.3	4.3
8'	5.7	5.8	4.8	5	4.1	4.2	7	7.1	6	6.2	5.1	5.3	6	6.1	5.1	5.3	3.9	3.9
9'	4.2	4.3	3.7	3.8	3.2	3.2	5.5	5.6	4.8	4.9	4.2	4.3	5.1	5.2	4.4	4.6	3.4	3.5
10'	3.2	3.3	2.8	2.9	2.5	2.5	4.3	4.4	3.8	4	3.4	3.5	4.3	4.3	3.8	3.9	2.9	3

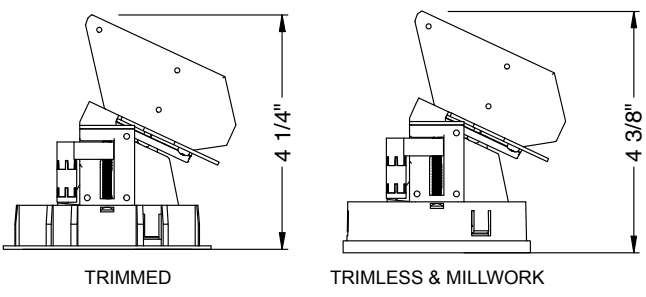
NOTE

1. Performance based on typical reflectance values and room dimensions. IES files available at ledrabrands.com

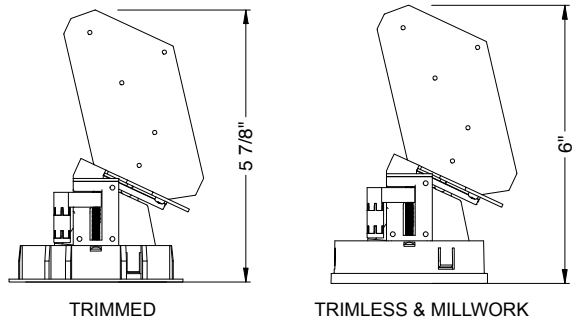
PROJECT INFORMATION		
JOB NAME		TYPE
ORDERING CODE		

MOUNTING OPTIONS

FIXTURE HEIGHT 10LM - 30LM LOW LUMENS

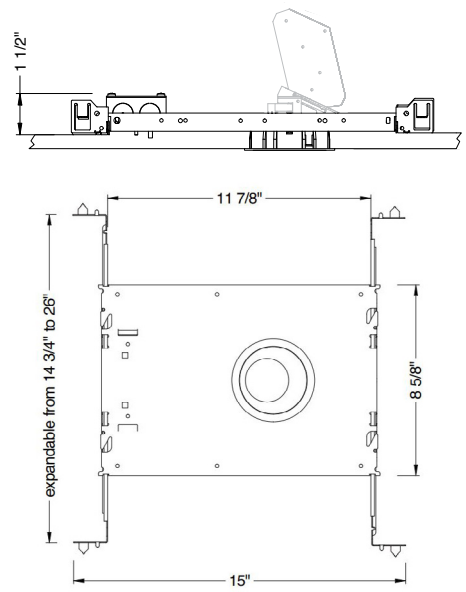


35LM-40LM HIGH LUMENS

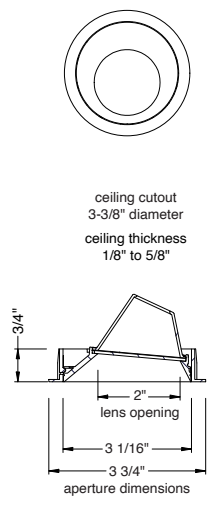


NC - NEW CONSTRUCTION

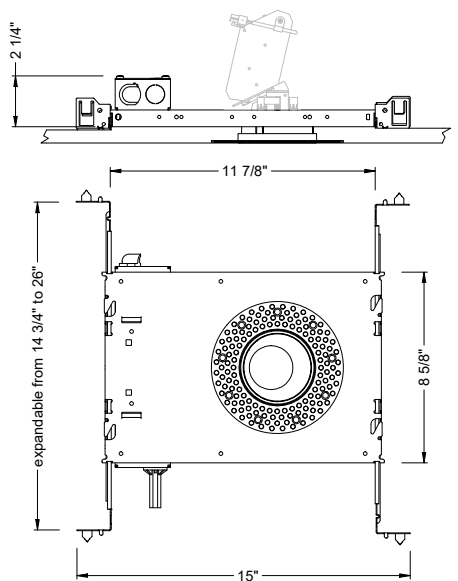
TRIM



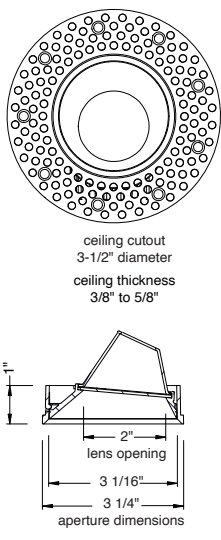
TRIM



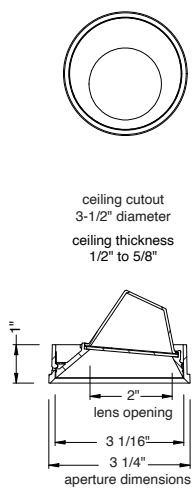
TRIMLESS



TRIMLESS



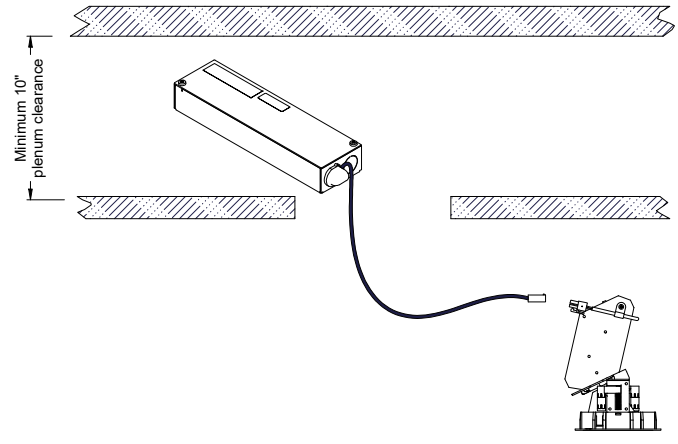
TRIMLESS/MILLWORK



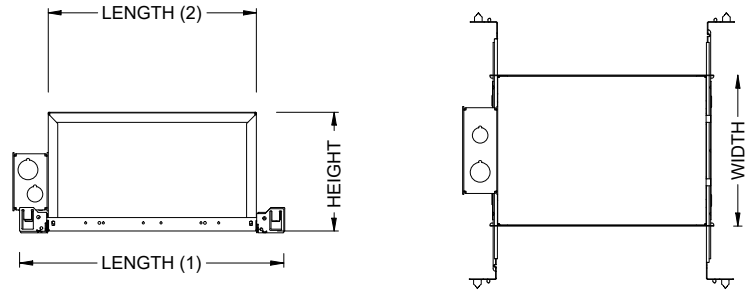
PROJECT INFORMATION		
JOB NAME		TYPE
ORDERING CODE		

MOUNTING OPTIONS (CONTINUED)

RET - RETRO TRIM/TRIMLESS



IC - INSULATION CONTACT HOUSING ICAT - INSULATION CONTACT / AIR TIGHT CP - CHICAGO PLENUM



BOX SIZE	L 1	L 2	W	H
A	15 - 7/16"	11 - 3/4"	8 - 1/2"	6 - 3/4"

RATINGS / CERTIFICATIONS	NC	RET	IC	ICAT	CP
TYPE NON-IC	✓	✓			
TYPE IC			✓	✓	✓
CHICAGO PLENUM (CCEA)					✓
SUITABLE FOR AIR HANDLING PLENUMS	✓	✓	✓	✓	✓
REDUCED AIRFLOW (WITH LENS) ASTM E283	✓	✓	✓	✓	✓

BOX TYPE / LUMEN OUTPUT - STANDARD BEAMS (WW)			
LUMEN OUTPUT	BOX - A		
	IC	ICAT	CP
10LM	✓	✓	✓
15LM	✓	✓	✓
20LM	✓	✓	✓
25LM	✓	✓	✓
30LM	✓	✓	✓
35LM			
40LM			

CEILING THICKNESS	
FIXTURE TYPE	MOUNTING TYPE
	STANDARD CEILING THICKNESS
TRIM	1/8" to 5/8"
TRIMLESS	3/8" to 5/8"
MILLWORK (TRIMLESS)	1/2" to 5/8"

PROJECT INFORMATION		
JOB NAME		TYPE
ORDERING CODE		

BATTERY OPTIONS

EMERGENCY BATTERY

IOTA's ILB Battery Backups are UL Listed LED emergency drivers that allow the same LED fixture to be used for both normal and emergency operation. In the event of a power failure, the ILB switches to the emergency mode and operates the existing fixture for 90 minutes. The unit contains a battery, charger, and converter circuit in a single can. The Constant Power design of the ILB maintains the output wattage to the LED array even as the system voltage diminishes. UL 924 Listed for U.S. and Canada. UL 1310 Certified, Output Class 2 Compliant. Includes single-piece TBTS test switch and charge indicator accessory kit. For use with switched and unswitched fixtures, and includes Two-wire universal AC input. Meets or exceeds all National Electric Code and Life Safety Code Emergency Lighting Requirements. Rated for use in Plenum, Damp Location, Recessed Type IC, and Enclosed and Gasketed Luminaires.

REMOTE TEST SWITCH

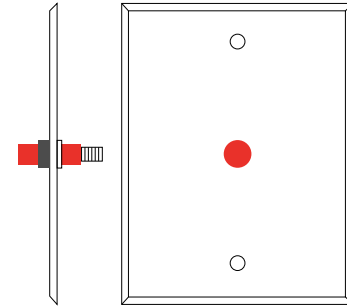
The Remote Test Switch may be mounted adjacent to the LED Fixture by others.

EMERGENCY BATTERY ACCESS

Above ceiling access is required for service. An access panel in the ceiling (or other form of access) adjacent to the installation location of the Emergency Battery is required.

REMOTE LOCATION

Maximum remote mounting distance of the emergency driver shall be 50 feet. Remote location wiring provided by others. Follow all Local and National Electric/Building Codes.



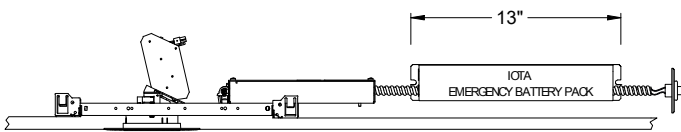
Remote Test Switch

EM MODE OUTPUT (DELIVERED LUMENS)

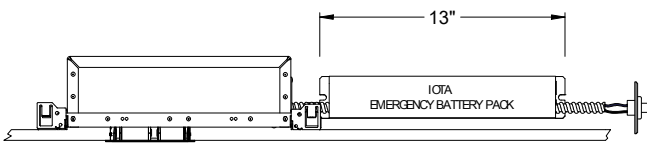
LUMEN ORDERING CODE	EM7	EM10	EM12
ALL OPTIONS (10LM TO 30LM)	482lm	688lm	826lm

Notes: Based on 30K, 80CRI

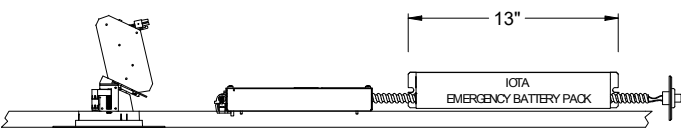
NC - NEW CONSTRUCTION WITH EM BATTERY (REMOTE TEST SWITCH)



IC / ICAT / CP - INSULATION CONTACT HOUSING WITH EM BATTERY (REMOTE TEST SWITCH)

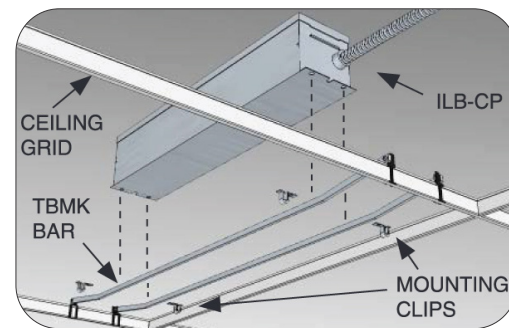


RET - RETROFIT WITH EM BATTERY (REMOTE TEST SWITCH)



Accessory

76066 Optional T-Grid Mounting Kit¹



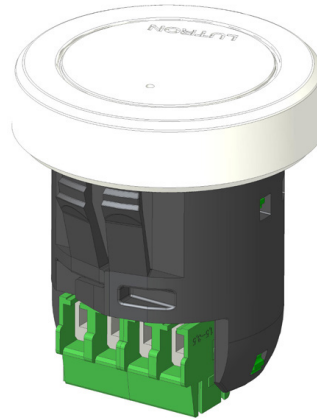
1. Can be used with any of the Emergency Battery Backups. Must be ordered as a separate line item.

PROJECT INFORMATION		
JOB NAME	TYPE	
ORDERING CODE		

AWNRR OPTIONS

Athena Wireless Node

The Athena wireless node is a radio frequency (RF) device that enables simple, digital control of individual light fixtures in an Athena control system.



Athena Wireless Node RF

AWNRR

Plenum rated and can be installed above the ceiling for wireless control of a fixture without any impact on fixture aesthetics.

FEATURES

- Enables individual, wireless control of each fixture in an Athena control system. Accommodates zone and control changes without rewiring.
- Installed at factory – no wiring required on-site. Fixture is ready to communicate wirelessly once power is connected.
- All drivers on the link are controlled as a single zone.

REGULATORY APPROVALS

- cULus Listed (UL916)
- Complies with requirements for use in other spaces used for environmental air (plenums) per NEC® 2014 300.22(C)(3).
- FCC compliant with the limits for a Class B digital device.
- IC (Industry Canada)
- ANSI C137.1 0-10 V- Electronic Off

POWER / LOAD

- IEC SELV/NEC® Class 2
- 1 Watt

ENVIRONMENTAL

- Ambient operating temperature (immediate vicinity of Athena wireless node): **32 °F to 131 °F** (0 °C to 55 °C), 0% to 90% humidity.

BATTERY OPTIONS

- For EM options please consult factory.

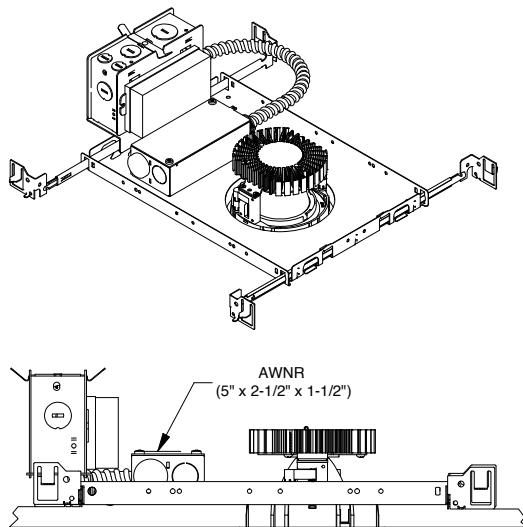
Note: Default behavior prior to programming

- Light level 100%
- Athena wireless node performs an unprogrammed startup sequence on every power up until the device is added to an Athena system.
- Each Athena wireless node should be installed within 25 ft (7.62 m) of two or more Athena wireless nodes or other Clear Connect – Type X devices.
- For Chicago plenum installations, the Athena wireless node may not be installed in the plenum space. It must be installed in the occupied space.

For servicing the driver/j-box, access above ceiling is required. (NC Mounting)

IC/ICAT/CP not available in AWNR.

NC - NEW CONSTRUCTION



RET - RETRO FIT

