

PROJECT INFORMATION		
JOB NAME		TYPE
ORDERING CODE		

## NU3

### 3" Round Downlight Deep Regress XICATO



15° - 50° BEAM (Note: Specifications are subject to change without notice)		
XTM09 LED PERFORMANCE DATA		
LED LIGHT ENGINE	NOMINAL DELIVERED LUMENS	SYSTEM WATTAGE
07LM	560LM @30K/83CRI	11W
10LM	760LM @30K/83CRI	14W
13LM	1020LM @30K/83CRI	20W
16LM	1180LM @30K/83CRI	30W
07LM	590LM @30K/98CRI	14W
10LM	795LM @30K/98CRI	21W
13LM	1060LM @30K/98CRI	31W
Notes	Delivered lumens based on 30D optic with no lens, (see page 2)	



#### FEATURES

- Quiet ceiling achieved through 2" deep regress
- Superior 32.5° cut off angle
- 1/16" micro flange
- UGR <5
- 15° - 50° optical beam control
- Multiple mounting, glare control options, trims, and finishes available

#### DIMMING AND CONTROLS

- eldoLED flicker free 0-10V dimming to 0% and 1%
- eldoLED flicker free DALI dimming to 0% and 1%
- Lutron Hi-lumen (Eco System) dimming to 0.1%
- Leading & trailing edge (Triac/ELV) dimming to 1%
- Casambi bluetooth dimming to 1%
- NLight control interface dimming to 0%

#### CONSTRUCTION

- Lexan™ (PC) highly resistant to impact and heat (240°F)
- Optimal material for wireless BLE signal connectivity
- Shatter proof acrylic bezel lens
- Electrocoated 16-gauge cold-rolled steel construction
- Accommodates ceiling thickness from 1/8" to 1-5/8"

#### LED

- SDCM = 1X2 MacAdam Ellipse, Duv +/- 0.001, Lumen Maintenance: L<sub>90</sub> > 55,000 hrs

#### LISTING

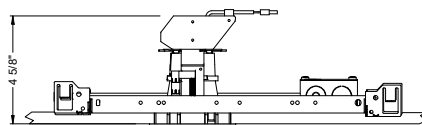
- ULus Listed to UL1598 & UL2108; cUL Listed to CSA C22.2 #250.0
- IP65 with lens - Suitable for wet locations with lens - Suitable for damp locations without lens
- Non-conductive, dead-front construction (Shower Approved)
- NSF/ANSI-2 Listed, with lens (Non-Food and Splash Zones)
- 5 Year Limited warranty

#### ELECTRICAL

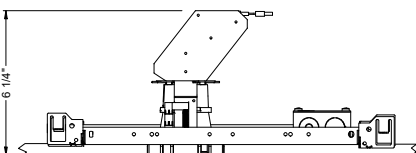
- 120V only Triac/ELV, 120V-277V
- Power factor ≥ 0.9
- 2kV driver input surge protection
- Remote emergency test switch
- 7W, 10W (T20 CEC) and 12W EM 90min battery
- Max. ambient installation temperature 95°F (35°C)

#### FIXTURE HEIGHT

LED LIGHT ENGINE: 700LM - 1000LM



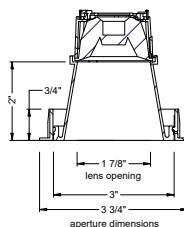
LED LIGHT ENGINE: 1300LM - 1600LM



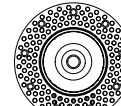
#### TRIMMED



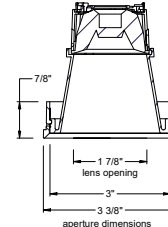
ceiling cutout  
3-3/8" diameter  
ceiling thickness  
1/8" to 1-5/8"



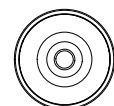
#### TRIMLESS



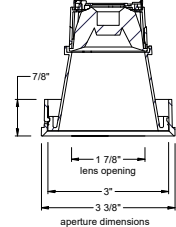
ceiling cutout  
3-1/2" diameter  
ceiling thickness  
3/8" to 1-3/4"



#### MILLWORK



ceiling cutout  
3-1/2" diameter  
ceiling thickness  
1/2" to 1-3/4"



# alphabet

PROJECT INFORMATION		
JOB NAME		TYPE
ORDERING CODE		

## 15°- 50° BEAM ORDERING CODE

SERIES	NU3	NU3
TYPE	RDDR	round downlight deep regress
	RDTDR	round downlight trimless deep regress
	RDTM-WDR	round downlight trimless millwork deep regress
LED	XTM09	XICATO XTM 9mm
DELIVERED LUMENS	07LM	560 lm
	10LM	760 lm
	13LM	1020 lm
	16LM	1180 lm
Standard Configuration: 3000K 83CRI 30D NL Calculated Delivered Lumens = [Delivered Lumen Value] x [Optic Multiplier] x [Lens Multiplier]		
CCT	27K	2700K
	30K	3000K
	35K	3500K
	40K	4000K
CRI	83	83 CRI
	98 <sup>1</sup>	98 CRI
OPTIC & LM MULTIPLIER SEE PAGE 3	15D	15 degrees (0.88)
	25D	25 degrees (0.90)
	30D	30 degrees (1.00)
	50D	50 degrees (0.98)
BEZEL LENS SEE PAGE 3	NL <sup>2</sup>	no lens (1.00)
	DL <sup>3,4</sup>	diffused lens (0.86)
	HET <sup>4</sup>	high efficiency textured lens, similar to Solite™ (0.92)
	SBL	smoothing beam lens (0.94)
TRIM COLOR SEE PAGE 3	BK	black
	WH	white
	MC	matte chrome
	BZ	bronze
	WT	wheat
Not applicable to trimless option. Do not include in trimless ordering code.		
BEZEL COLOR SEE PAGE 3	BK	black (0.85)
	WH	white (0.98)
	MC	matte chrome (0.94)
	DC	dark chrome, vacuum metalized (0.90)
	GN	gun metal, vacuum metalized (0.98)
	SA	specular, vacuum metalized (1.00)
	CU	copper, vacuum metalized (0.94)
	AU	gold, vacuum metalized (0.96)

## 15°- 50° BEAM ORDERING CODE

MOUNTING OPTIONS SEE PAGE 5, 6	NC	new construction with ceiling fitting plate
	IC <sup>5</sup>	insulation contact housing
	ICAT <sup>5</sup>	insulation contact/airtight housing
	CP <sup>5</sup>	chicago plenum housing
	RET	retrofit, no ceiling fitting plate
VOLTAGE	120	120V
	UNV	120V-277V
DIMMING	DIM10	eldoLED flicker free 0-10V dimming to 1%
	DIM10Z	eldoLED flicker free 0-10V dimming to 0%
	DALI	eldoLED flicker free DALI 2 dimming to 1%
	DALIZ	eldoLED flicker free DALI 2 dimming to 0%
	LUTP <sup>6</sup>	Lutron Hi-lume Premier Ecosystem dimming to 0.1%, Soft-on & Fade-to-Black
	ELV1 <sup>7</sup>	leading & trailing edge (Triac/ELV) dimming to 1%
ELECTRICAL OPTIONS	NLT	nLight control interface: standard Cat-5/RJ45 connection (female), dim to off
	CAS	Casambi Bluetooth control with flicker free 1% dimming
	EM7	emergency battery backup, 90 minutes at 7W to LED
	EM12 <sup>8</sup>	emergency battery backup, 90 minutes at 12W to LED
	EM10CA20	emergency battery backup, 90 minutes at 10W to LED, CA title 20

## ADDITIONAL MOUNTING INFO

New Construction Bar Hangers (included)	Mounting Length: 14-3/4" to 26"
Extension Kit p/n: K20266 (ordered separately, 1 per fixture)	Extends a pair of Bar Hangers Total Mounting Length: 29" to 48"

## YOUR COMPLETED ORDERING CODE

Follow the steps to specify your fixture, example:
<b>NU3 - RDDR - XTM09 - 13LM - 35K - 83 - 30D - SBL - WH - DC - NC - UNV - DIM10 - EM7</b>

## NOTES

- 98CRI not available in 16LM.
- NL option does not meet requirement for AT/DF/WET/NSF listings.
- DL/HET lens options not recommended in WHITE bezel color, UGR>20.
- DL/HET lens options available in DC/GN/SA/CU/AU color with 30D/50D optics.
- IC/ICAT/CP not available in 83CRI/16LM or 98CRI/13LM/16LM.
- LUTP not available in 13LM/16LM.
- ELV1 available in 120V.
- EM12 not available in 83CRI/07LM.

\*EldoLED uses logarithmic dimming curve as standard. For linear dimming curve, add "LIN" after dimming code, i.e. DIM10LIN.

# alphabet

PROJECT INFORMATION		
JOB NAME		TYPE
ORDERING CODE		

## TRIM OPTIONS

### TRIM/BEZEL COLORS



## OPTICAL OPTIONS

- Calculations based on 13LM fixtures, SA bezel, unless otherwise noted
- UGR calculation based on CIE 117-1995; room size: 4H X 8H, reflectance: 70/50/20;



OPTIC	BEAM ANGLE	UGR
15D	29.1	9.7
25D	35.1	13
30D	40.7	13.7
50D	55.2	17.2



OPTIC	BEAM ANGLE	UGR
15D	17.5	14.7
25D	23.8	13.9
30D	31	13.7
50D	53	17.2

\* White Bezel



OPTIC	BEAM ANGLE	UGR
15D	16.2	≤5
25D	23.3	≤5



OPTIC	BEAM ANGLE	UGR
15D	19.1	≤5
25D	25.2	6.8
30D	30.1	6.9
50D	47.5	14



OPTIC	BEAM ANGLE	UGR
15D	15.6	≤5
25D	22.5	≤5

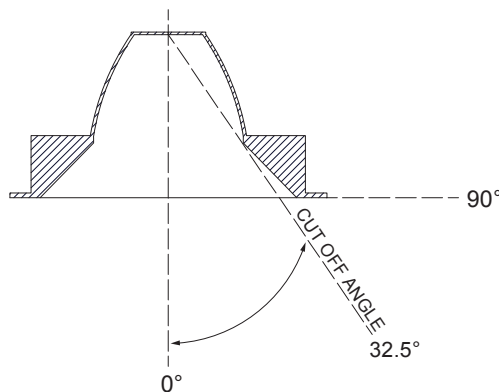
## GLARE CONTROL

### CUT-OFF ANGLE

Visual comfort is achieved with a lower cut-off angle due to improved glare control. The smaller the cut-off angle, the easier it is on the eye.

Alphabet downlights have been thoughtfully engineered to eliminate glare while still delivering functional illumination.

- Cutoff angle is 32.5 degrees;

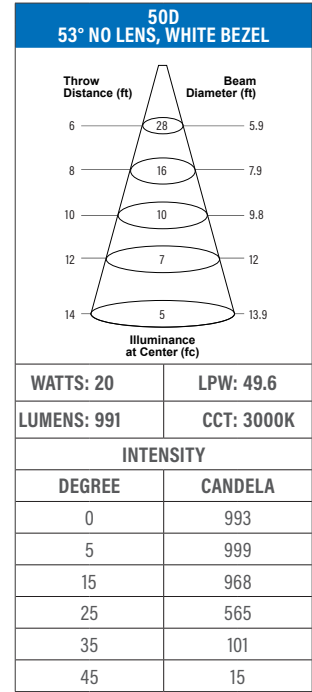
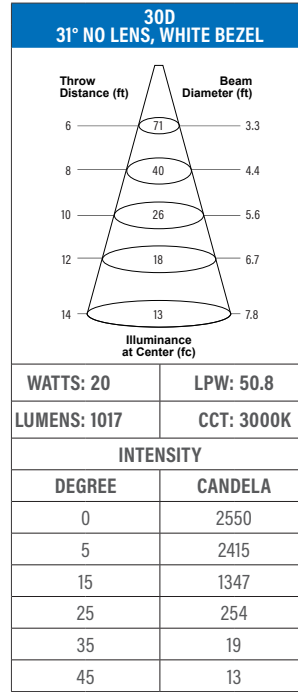
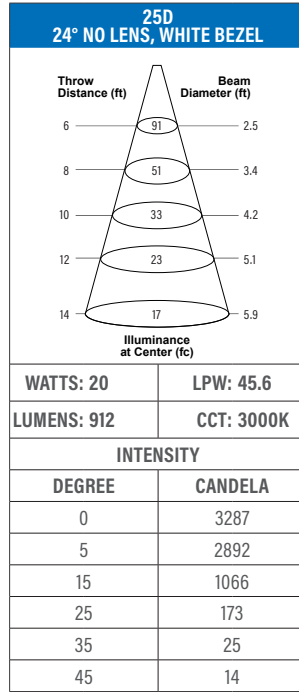
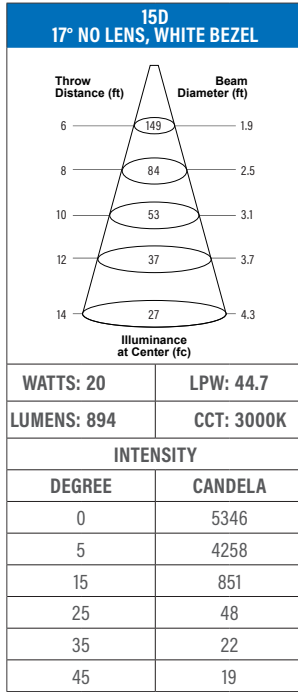


# alphabet

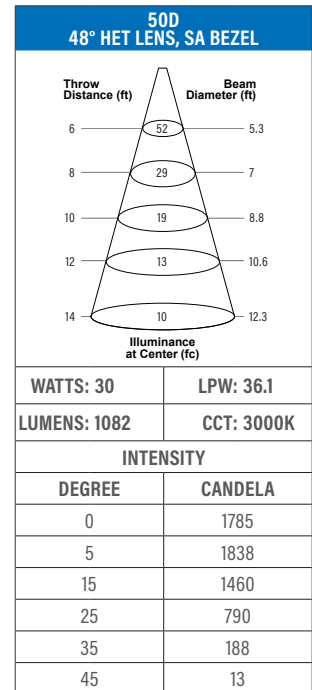
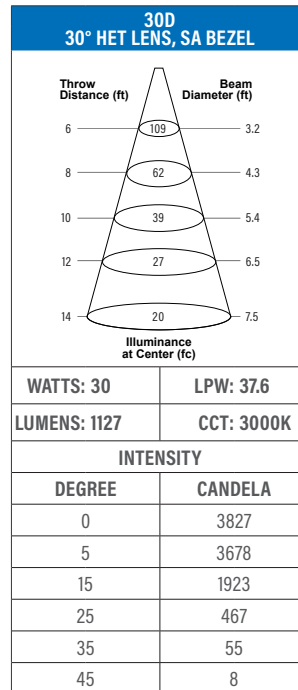
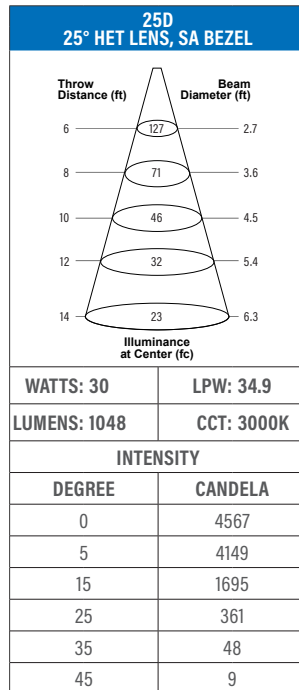
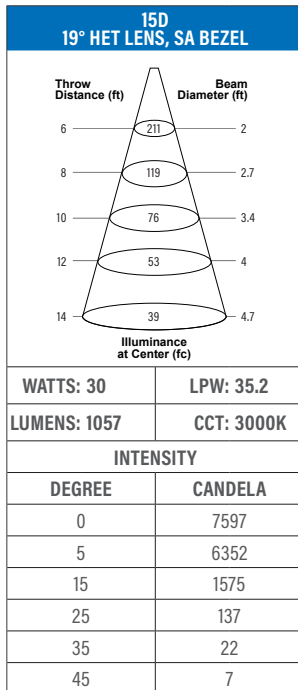
PROJECT INFORMATION		
JOB NAME		TYPE
ORDERING CODE		

## PHOTOMETRIC DATA

### 13 LM



### 16 LM



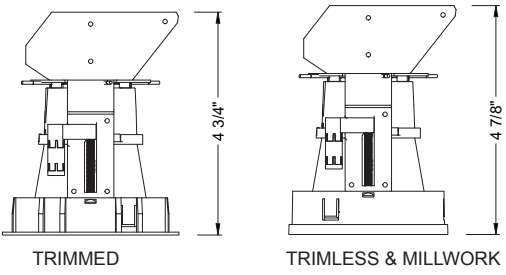
# alphabet

PROJECT INFORMATION		
JOB NAME		TYPE
ORDERING CODE		

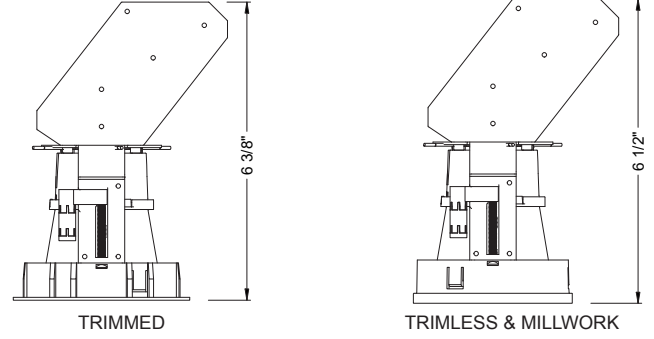
## MOUNTING OPTIONS

### FIXTURE HEIGHT

LED LIGHT ENGINE: 700LM - 1000LM

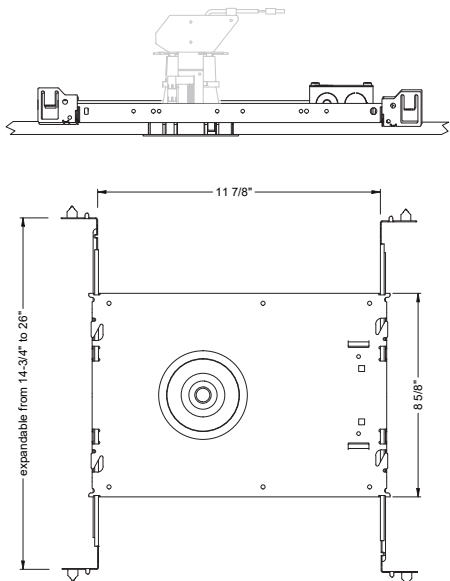


LED LIGHT ENGINE: 1300LM - 1600LM

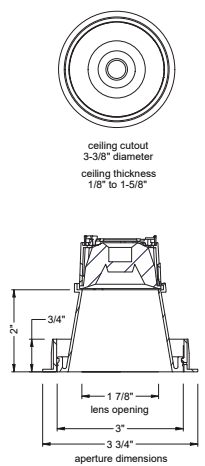


### NC - NEW CONSTRUCTION

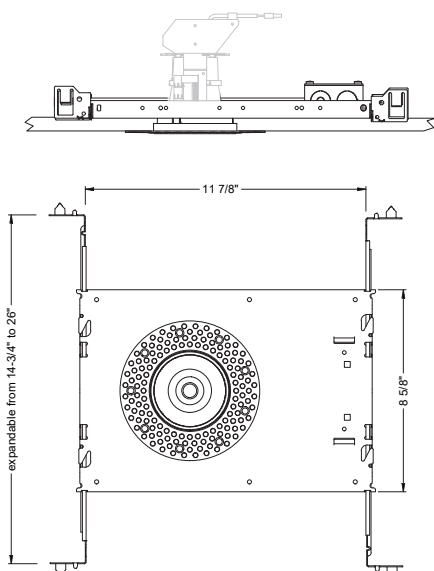
#### TRIM



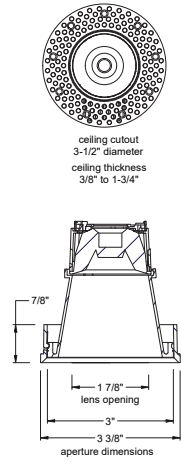
#### TRIM



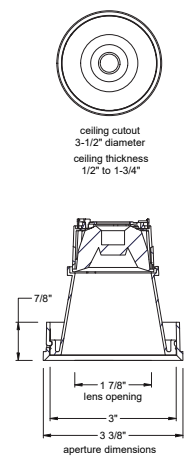
#### TRIMLESS



#### TRIMLESS



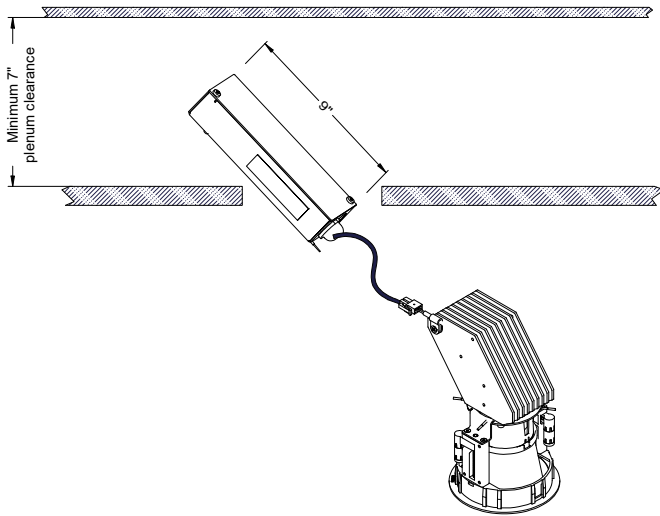
#### TRIMLESS/MILLWORK



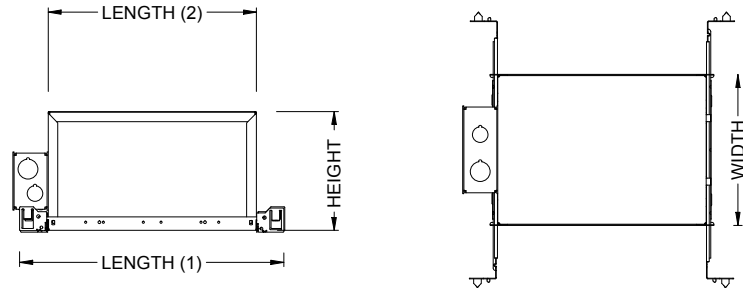
PROJECT INFORMATION		
JOB NAME	TYPE	
ORDERING CODE		

## MOUNTING OPTIONS (CONTINUED)

### RET - RETRO TRIM/TRIMLESS



### IC - INSULATION CONTACT HOUSING ICAT - INSULATION CONTACT / AIR TIGHT CP - CHICAGO PLENUM



BOX SIZE	L 1	L 2	W	H
A	15 - 7/16"	11 - 3/4"	8 - 1/2"	6 - 3/4"
B	18 - 1/4"	14 - 7/8"	12 - 1/8"	11 - 1/4"
C	18 - 1/4"	14 - 7/8"	12 - 1/8"	6 - 3/4"

RATINGS / CERTIFICATIONS	NC	RET	IC	ICAT	CP
TYPE NON-IC	✓	✓			
TYPE IC			✓	✓	✓
CHICAGO PLENUM (CCEA)					✓
SUITABLE FOR AIR HANDLING PLENUMS	✓	✓	✓	✓	✓
REDUCED AIRFLOW (WITH LENS) ASTM E283	✓	✓	✓	✓	✓

BOX TYPE / LUMEN OUTPUT - STANDARD BEAMS (15° - 50°)					
LUMEN OUTPUT	BOX - A			BOX - B	BOX - C
	CP	IC	ICAT	IC	ICAT
07LM	✓	✓	✓		
10LM	✓	✓	✓		
13LM	✓	✓	✓		
20LM					

CEILING THICKNESS	
FIXTURE TYPE	MOUNTING TYPE
	NC, IC, ICAT, CP, RET
TRIM	1/8" to 1-5/8"
TRIMLESS	3/8" to 1-3/4"
MILLWORK (TRIMLESS)	1/2" to 1-3/4"

PROJECT INFORMATION		
JOB NAME		TYPE
ORDERING CODE		

## BATTERY OPTIONS

### EMERGENCY BATTERY

IOTA's ILB Battery Backups are UL Listed LED emergency drivers that allow the same LED fixture to be used for both normal and emergency operation. In the event of a power failure, the ILB switches to the emergency mode and operates the existing fixture for 90 minutes. The unit contains a battery, charger, and converter circuit in a single can. The Constant Power design of the ILB maintains the output wattage to the LED array even as the system voltage diminishes. UL 924 Listed for U.S. and Canada. UL 1310 Certified, Output Class 2 Compliant. Includes single-piece TBTS test switch and charge indicator accessory kit. For use with switched and unswitched fixtures, and includes Two-wire universal AC input. Meets or exceeds all National Electric Code and Life Safety Code Emergency Lighting Requirements. Rated for use in Plenum, Damp Location, Recessed Type IC, and Enclosed and Gasketed Luminares.

### REMOTE TEST SWITCH

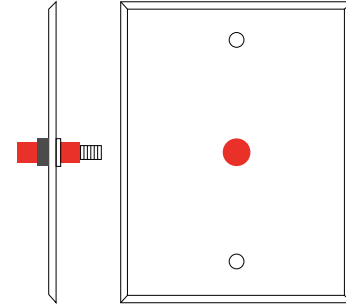
The Remote Test Switch may be mounted adjacent to the LED Fixture by others.

### EMERGENCY BATTERY ACCESS

Above ceiling access is recommended for ease of service, but LED Fixture Sizes of 4" and Larger are capable of below ceiling access. IC/ICAT/CP Box and ITS option require an access panel in the ceiling (or other form of access) adjacent to the installation location of the Emergency Battery.

### REMOTE LOCATION

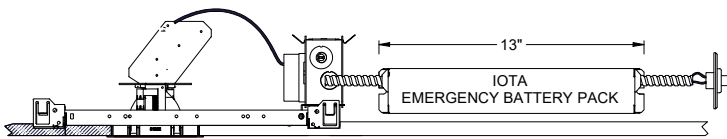
Maximum remote mounting distance of the emergency driver shall be 50 feet. Remote location wiring provided by others. Follow all Local and National Electric/ Building Codes.



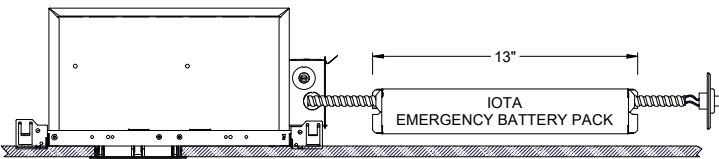
Remote Test Switch

EM MODE OUTPUT (DELIVERED LUMENS)			
LUMEN ORDERING CODE	EM7	EM10	EM12
ALL OPTIONS (07LM TO 20LM)	340LM	510LM	600LM
Notes: Based on 30K, 83CRI			

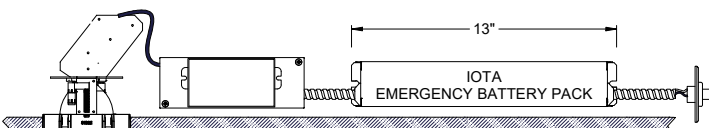
### NC - NEW CONSTRUCTION WITH EM BATTERY (REMOTE TEST SWITCH)



### IC / ICAT / CP - INSULATION CONTACT HOUSING WITH EM BATTERY (REMOTE TEST SWITCH)

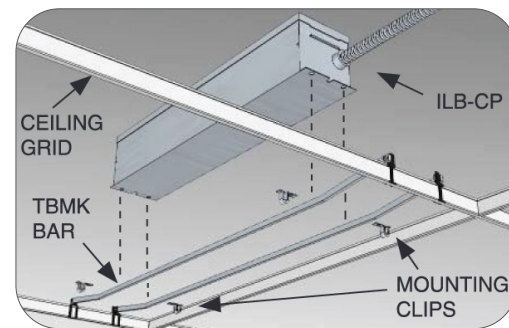


### RET - RETROFIT WITH EM BATTERY (REMOTE TEST SWITCH)



### Accessory

76066 Optional T-Grid Mounting Kit<sup>1</sup>



1. Can be used with any of the Emergency Battery Backups. Must be ordered as a separate line item.