

# alphabet

PROJECT INFORMATION		
JOB NAME		TYPE
ORDERING CODE		

## NU3

### 3" Round Downlight Deep Regress Warm Dim



15° - 30° BEAM		
(Note: Specifications are subject to change without notice)		
9mm DYNAMIC COB PERFORMANCE DATA		
LED LIGHT ENGINE	NOMINAL DELIVERED LUMENS	SYSTEM WATTAGE
10LM	750LM @30K/97CRI	13W
15LM	980LM @30K/97CRI	19W
Notes	Delivered lumens based on 30D optic with no lens, (see page 2)	

25° - 35° BEAM		
(Note: Specifications are subject to change without notice)		
14mm DYNAMIC COB PERFORMANCE DATA		
LED LIGHT ENGINE	NOMINAL DELIVERED LUMENS	SYSTEM WATTAGE
20LM	1500LM @30K/97CRI	26W
Notes	Delivered lumens based on 35D optic with no lens, (see page 2)	



Trim



Trimless



Trimless Millwork

#### FEATURES

- Quiet ceiling achieved through 2" deep regress
- Superior 32.5° cut off angle
- 1/16" micro flange
- UGR <5
- 15° - 35° optical beam control
- Multiple mounting, glare control options, trims, and finishes available

#### LED

- Luminus Dim-to-warm COB: 97 CRI; SDCM = 3-step MacAdam Ellipse; Lumen Maintenance: L<sub>70</sub> > 54,000 hrs
- Dim to Warm from 3000K - 1800K.

#### DIMMING AND CONTROLS

- eldoLED flicker free 0-10V dimming to 0% and 1%
- eldoLED flicker free DALI dimming to 0% and 1%
- Leading & trailing edge (Triac/ELV) dimming to 1%
- Casambi bluetooth dimming to 1%
- NLight control interface dimming to 0%

#### LISTING

- ULus Listed to UL1598 & UL2108; cUL Listed to CSA C22.2 #250.0
- IP65 with lens - Suitable for wet locations with lens - Suitable for damp locations without lens
- Non-conductive, dead-front construction (Shower Approved)
- NSF/ANSI-2 Listed, with lens (Non-Food and Splash Zones)
- 5 Year Limited warranty

#### CONSTRUCTION

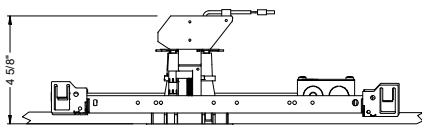
- Lexan™ (PC) highly resistant to impact and heat (240°F)
- Optimal material for wireless BLE signal connectivity
- Shatter proof acrylic bezel lens
- Electrocoated 16-gauge cold-rolled steel construction
- Accommodates ceiling thickness from 1/8" to 1-5/8"

#### ELECTRICAL

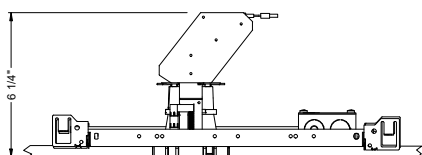
- 120V only Triac/ELV, 120V-277V
- Power factor ≥ 0.9
- 2kV driver input surge protection
- Remote emergency test switch
- 7W, 10W (T20 CEC) and 12W EM 90min battery
- Max. ambient installation temperature 95°F (35°C)

#### FIXTURE HEIGHT

LED LIGHT ENGINE: 1000LM - 1500LM



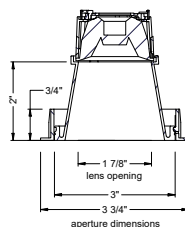
LED LIGHT ENGINE: 2000LM



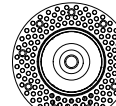
#### TRIMMED



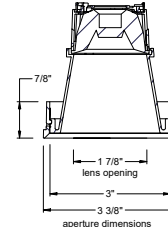
ceiling cutout  
3-3/8" diameter  
ceiling thickness  
1/8" to 1-5/8"



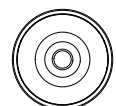
#### TRIMLESS



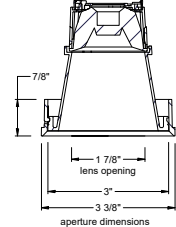
ceiling cutout  
3-1/2" diameter  
ceiling thickness  
3/8" to 1-3/4"



#### MILLWORK



ceiling cutout  
3-1/2" diameter  
ceiling thickness  
1/2" to 1-3/4"



# alphabet

PROJECT INFORMATION		
JOB NAME		TYPE
ORDERING CODE		

## 15°- 35° BEAM ORDERING CODE

SERIES	NU3	NU3					
TYPE	RDDR	round downlight deep regress					
	RDTDR	round downlight trimless deep regress					
	RDTM-WDR	round downlight trimless millwork deep regress					
LED	WD	warm dim (Luminus)					
DELIVERED LUMENS	10LM <sup>1</sup>	750 lm					
	15LM <sup>1</sup>	980 lm					
	20LM <sup>2</sup>	1500 lm					
Standard Configuration: 30D NL Calculated Delivered Lumens = [Delivered Lumen Value] x [Optic Multiplier] x [Lens Multiplier]							
CCT	3018	3000K, dim to 1800K	CCT at Light Level (%LF)				
			%LF	30LM	20LM	15LM	10LM
			100%	3000	3000	3000	3000
			50%	3000	3000	3000	2800
			25%	2800	2800	2500	2300
10%	2200	2200	2000	1900			
5%	1800	1800	1800	1800			
CRI	97	97 CRI					
OPTIC & LM MULTIPLIER SEE PAGE 3	15D	15 degrees (0.93)					
	25D	25 degrees (0.93)					
	30D	30 degrees (1.00)					
	35D	35 degrees (0.99)					
BEZEL LENS SEE PAGE 3	NL <sup>3</sup>	no lens (1.00)					
	DL <sup>4,5</sup>	diffused lens (0.82)					
	HET <sup>5</sup>	high efficiency textured lens, similar to Solite™ (0.97)					
	SBL	smoothing beam lens (0.92)					
	HCL	honeycomb louver (0.81)					
TRIM COLOR SEE PAGE 3	BK	black					
	WH	white					
	MC	matte chrome					
	BZ	bronze					
	WT	wheat					
Not applicable to trimless option. Do not include in trimless ordering code.							
BEZEL COLOR SEE PAGE 3	BK	black (0.85)					
	WH	white (0.98)					
	MC	matte chrome (0.94)					
	DC	dark chrome, vacuum metalized (0.90)					
	GN	gun metal, vacuum metalized (0.98)					
	SA	specular, vacuum metalized (1.00)					
	CU	copper, vacuum metalized (0.94)					
	AU	gold, vacuum metalized (0.96)					

## 15°- 35° BEAM ORDERING CODE

MOUNTING OPTIONS SEE PAGE 5, 6	NC	new construction with ceiling fitting plate
	IC	insulation contact housing
	ICAT	insulation contact/airtight housing
	CP	chicago plenum housing
	RET	retrofit, no ceiling fitting plate
VOLTAGE	120	120V
	UNV	120V-277V
DIMMING	DIM10	eldoLED flicker free 0-10V dimming to 1%
	DIM10Z	eldoLED flicker free 0-10V dimming to 0%
	DALI	eldoLED flicker free DALI 2 dimming to 1%
	DALIZ	eldoLED flicker free DALI 2 dimming to 0%
	ELV1 <sup>6</sup>	leading & trailing edge (Triac/ELV) dimming to 1%
	CAS	Casambi Bluetooth control with flicker free 1% dimming
ELECTRICAL OPTIONS	NLT	nLight control interface: standard Cat-5/RJ45 connection (female), dim to off
	EM7	emergency battery backup, 90 minutes at 7W to LED
	EM12	emergency battery backup, 90 minutes at 12W to LED
	EM10CA20	emergency battery backup, 90 minutes at 10W to LED, CA title 20

## ADDITIONAL MOUNTING INFO

New Construction Bar Hangers (included)	Mounting Length: 14-3/4" to 26"
Extension Kit p/n: K20266 (ordered separately, 1 per fixture)	Extends a pair of Bar Hangers Total Mounting Length: 29" to 48"

## YOUR COMPLETED ORDERING CODE

Follow the steps to specify your fixture, example:
<b>NU3 - RDDR - WD - 20LM - 3018 - 97 - 25D - SBL - WH - DC - NC - UNV - DIM10 - EM7</b>

## NOTES

- 10LM/15LM only available in 15D/25D/30D optics.
- 20LM only available in 25D/35D optics.
- NL option does not meet requirement for AT/DF/WET/NSF listing
- DL/HET lens option not recommended with WHITE bezel color, UGR>20.
- DL/HET lens options available in DC/GN/SA/CU/AU color with 30D/50D optics.
- ELV available in 120V.

\* Warm Dim CCT values at X% are for reference. Actual CCT may vary.

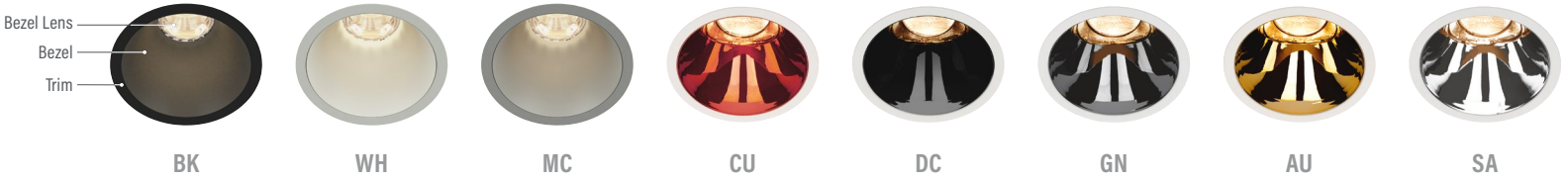
\* EldoLED uses logarithmic dimming curve as standard. For linear dimming curve, add "LIN" after dimming code, i.e. DIM10LIN.

# alphabet

PROJECT INFORMATION		
JOB NAME		TYPE
ORDERING CODE		

## TRIM OPTIONS

### TRIM/BEZEL COLORS



## OPTICAL OPTIONS

- Calculations based on 15LM fixtures, SA bezel, unless otherwise noted
- UGR calculation based on CIE 117-1995; room size: 4H X 8H, reflectance: 70/50/20;



OPTIC	BEAM ANGLE	UGR
15D	15.2	≤5
25D	21.6	≤5



OPTIC	BEAM ANGLE	UGR
15D	15.4	≤5
25D	23	6.8



OPTIC	BEAM ANGLE	UGR
15D	18.9	≤5
25D	35.2	13.2
30D	41.5	14.1



OPTIC	BEAM ANGLE	UGR
15D	16.8	13.8
25D	23.6	12.3
30D	31.6	11.6

\* White Bezel



OPTIC	BEAM ANGLE	UGR
15D	15.8	≤5
25D	22.9	≤5



OPTIC	BEAM ANGLE	UGR
15D	18.9	≤5
25D	25.2	7.2
30D	30	7.7

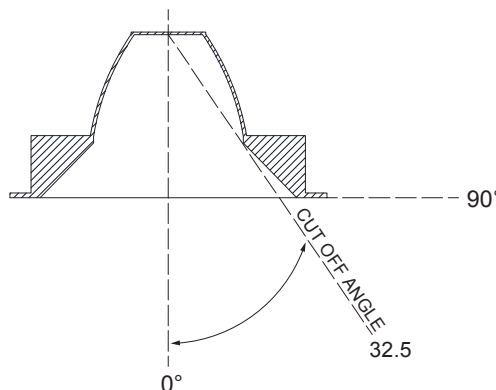
## GLARE CONTROL

### CUT-OFF ANGLE

Visual comfort is achieved with a lower cut-off angle due to improved glare control. The smaller the cut-off angle, the easier it is on the eye.

Alphabet downlights have been thoughtfully engineered to eliminate glare while still delivering functional illumination.

- Cutoff angle is 32.5 degrees;



# alphabet

PROJECT INFORMATION		
JOB NAME		TYPE
ORDERING CODE		

## PHOTOMETRIC DATA

### 15LM

15D 17° NO LENS, WHITE BEZEL	
Throw Distance (ft)	Beam Diameter (ft)
6	219
8	123
10	79
12	55
14	40
Illuminance at Center (fc)	
WATTS: 19.5	LPW: 46.6
LUMENS: 908	CCT: 3000K
INTENSITY	
DEGREE	CANDELA
0	7866
5	6127
15	1138
25	58
35	25
45	23

25D 24° NO LENS, WHITE BEZEL	
Throw Distance (ft)	Beam Diameter (ft)
6	124
8	70
10	45
12	31
14	23
Illuminance at Center (fc)	
WATTS: 19.5	LPW: 46.4
LUMENS: 905	CCT: 3000K
INTENSITY	
DEGREE	CANDELA
0	4469
5	3918
15	1445
25	235
35	27
45	14

30D 32° NO LENS, WHITE BEZEL	
Throw Distance (ft)	Beam Diameter (ft)
6	89
8	50
10	32
12	22
14	16
Illuminance at Center (fc)	
WATTS: 19.5	LPW: 50
LUMENS: 974	CCT: 3000K
INTENSITY	
DEGREE	CANDELA
0	3211
5	3058
15	1757
25	343
35	21
45	13

### 20LM

25D 27° HET LENS, SA BEZEL	
Throw Distance (ft)	Beam Diameter (ft)
6	139
8	78
10	50
12	35
14	25
Illuminance at Center (fc)	
WATTS: 26.3	LPW: 50.5
LUMENS: 1329	CCT: 3000K
INTENSITY	
DEGREE	CANDELA
0	4993
5	4681
15	2151
25	518
35	79
45	18

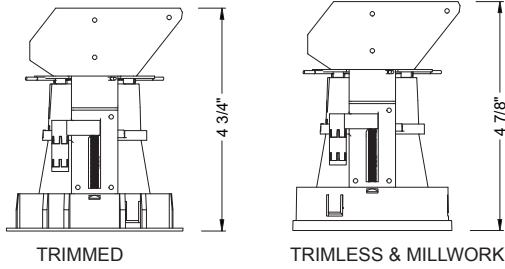
35D 32° HET LENS, SA BEZEL	
Throw Distance (ft)	Beam Diameter (ft)
6	124
8	70
10	45
12	31
14	23
Illuminance at Center (fc)	
WATTS: 26.3	LPW: 54.2
LUMENS: 1426	CCT: 3000K
INTENSITY	
DEGREE	CANDELA
0	4447
5	4286
15	2376
25	654
35	88
45	18

PROJECT INFORMATION		
JOB NAME	TYPE	
ORDERING CODE		

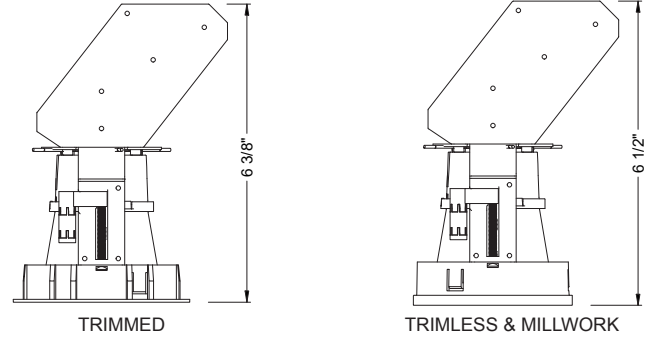
## MOUNTING OPTIONS

### FIXTURE HEIGHT

LED LIGHT ENGINE: 1000LM - 1500LM

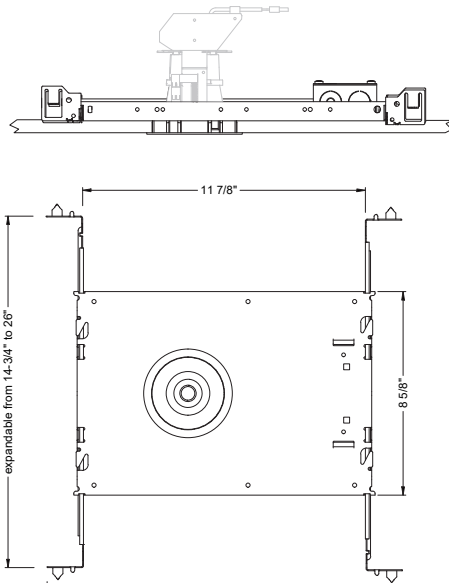


LED LIGHT ENGINE: 2000LM

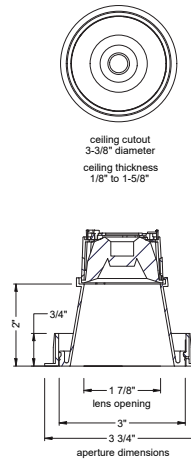


### NC - NEW CONSTRUCTION

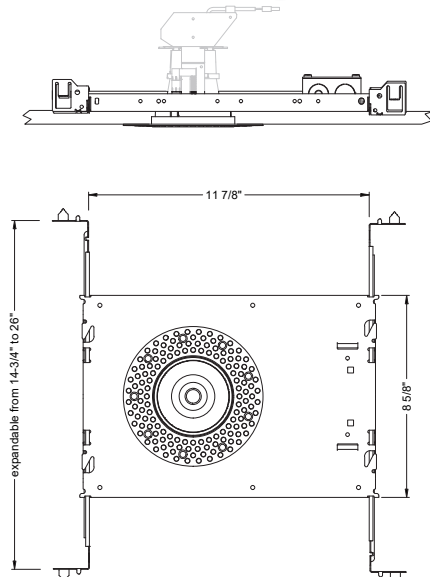
#### TRIM



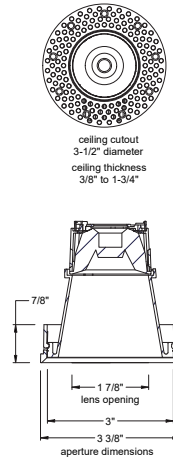
#### TRIM



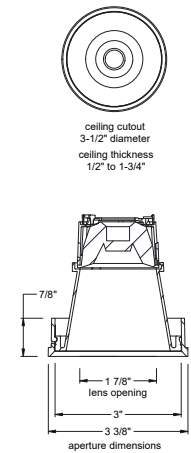
#### TRIMLESS



#### TRIMLESS



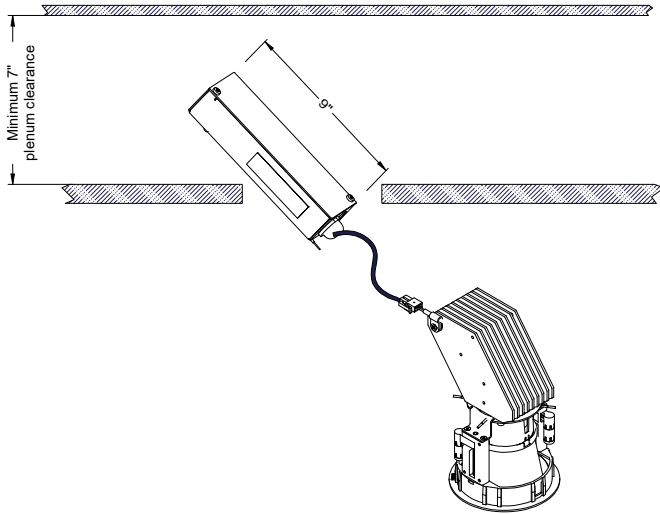
#### TRIMLESS/MILLWORK



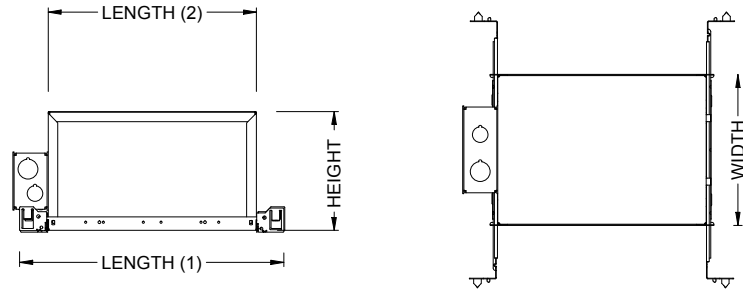
PROJECT INFORMATION		
JOB NAME	TYPE	
ORDERING CODE		

## MOUNTING OPTIONS (CONTINUED)

### RET - RETRO TRIM/TRIMLESS



### IC - INSULATION CONTACT HOUSING ICAT - INSULATION CONTACT / AIR TIGHT CP - CHICAGO PLENUM



BOX SIZE	L 1	L 2	W	H
A	15 - 7/16"	11 - 3/4"	8 - 1/2"	6 - 3/4"
B	18 - 1/4"	14 - 7/8"	12 - 1/8"	11 - 1/4"
C	18 - 1/4"	14 - 7/8"	12 - 1/8"	6 - 3/4"

RATINGS / CERTIFICATIONS	NC	RET	IC	ICAT	CP
TYPE NON-IC	✓	✓			
TYPE IC			✓	✓	✓
CHICAGO PLENUM (CCEA)					✓
SUITABLE FOR AIR HANDLING PLENUMS	✓	✓	✓	✓	✓
REDUCED AIRFLOW (WITH LENS) ASTM E283	✓	✓	✓	✓	✓

BOX TYPE / LUMEN OUTPUT - STANDARD BEAMS (25° - 35°)					
LUMEN OUTPUT	BOX - A			BOX - B	BOX - C
	CP	IC	ICAT	IC	ICAT
20LM				✓	

CEILING THICKNESS	
FIXTURE TYPE	MOUNTING TYPE
	NC, IC, ICAT, CP, RET
TRIM	1/8" to 1-5/8"
TRIMLESS	3/8" to 1-3/4"
MILLWORK (TRIMLESS)	1/2" to 1-3/4"

BOX TYPE / LUMEN OUTPUT - NARROW BEAMS (15° - 30°)					
LUMEN OUTPUT	BOX - A			BOX - B	BOX - C
	CP	IC	ICAT	IC	ICAT
10LM	✓	✓	✓		
15LM	✓	✓	✓		

PROJECT INFORMATION		
JOB NAME		TYPE
ORDERING CODE		

## BATTERY OPTIONS

### EMERGENCY BATTERY

IOTA's ILB Battery Backups are UL Listed LED emergency drivers that allow the same LED fixture to be used for both normal and emergency operation. In the event of a power failure, the ILB switches to the emergency mode and operates the existing fixture for 90 minutes. The unit contains a battery, charger, and converter circuit in a single can. The Constant Power design of the ILB maintains the output wattage to the LED array even as the system voltage diminishes. UL 924 Listed for U.S. and Canada. UL 1310 Certified, Output Class 2 Compliant. Includes single-piece TBTS test switch and charge indicator accessory kit. For use with switched and unswitched fixtures, and includes Two-wire universal AC input. Meets or exceeds all National Electric Code and Life Safety Code Emergency Lighting Requirements. Rated for use in Plenum, Damp Location, Recessed Type IC, and Enclosed and Gasketed Luminares.

### REMOTE TEST SWITCH

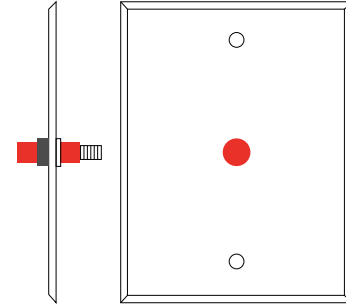
The Remote Test Switch may be mounted adjacent to the LED Fixture by others.

### EMERGENCY BATTERY ACCESS

Above ceiling access is recommended for ease of service, but LED Fixture Sizes of 4" and Larger are capable of below ceiling access. IC/ICAT/CP Box and ITS option require an access panel in the ceiling (or other form of access) adjacent to the installation location of the Emergency Battery.

### REMOTE LOCATION

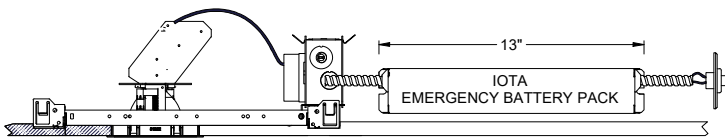
Maximum remote mounting distance of the emergency driver shall be 50 feet. Remote location wiring provided by others. Follow all Local and National Electric/Building Codes.



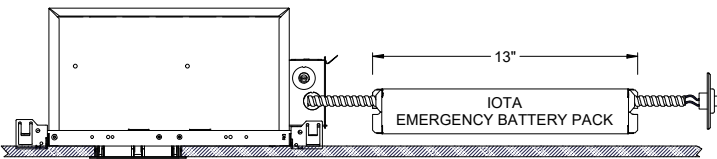
Remote Test Switch

EM MODE OUTPUT (DELIVERED LUMENS)			
LUMEN ORDERING CODE	EM7	EM10	EM12
ALL OPTIONS (10LM TO 30LM)	400LM	570LM	700LM
Notes: Based on 30K, 97CRI			

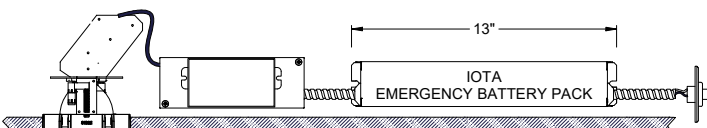
### NC - NEW CONSTRUCTION WITH EM BATTERY (REMOTE TEST SWITCH)



### IC / ICAT / CP - INSULATION CONTACT HOUSING WITH EM BATTERY (REMOTE TEST SWITCH)

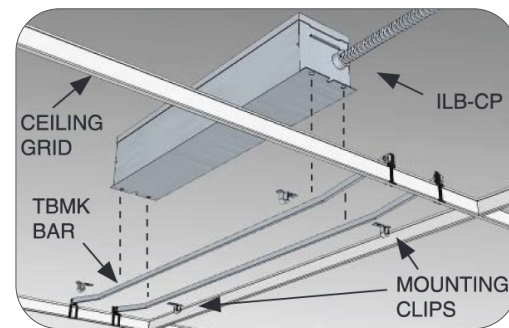


### RET - RETROFIT WITH EM BATTERY (REMOTE TEST SWITCH)



### Accessory

76066 Optional T-Grid Mounting Kit<sup>1</sup>



1. Can be used with any of the Emergency Battery Backups. Must be ordered as a separate line item.