

alphabet

PROJECT INFORMATION		
JOB NAME		TYPE
ORDERING CODE		

NU3

3" Round Downlight Deep Regress Standard White



Trim



Trimless



Trimless Millwork

20° - 50° BEAM (Note: Specifications are subject to change without notice)		
9mm COB PERFORMANCE DATA		
LED LIGHT ENGINE	NOMINAL DELIVERED LUMENS	SYSTEM WATTAGE
10LM	880LM @30K/80CRI	9W
15LM	1290LM @30K/80CRI	13W
20LM	1680LM @30K/80CRI	17W
25LM	2050LM @30K/80CRI	22W
30LM	2470LM @30K/80CRI	27W
10LM	750LM @30K/90CRI	9W
15LM	1100LM @30K/90CRI	13W
20LM	1430LM @30K/90CRI	17W
25LM	1750LM @30K/90CRI	22W
30LM	2100LM @30K/90CRI	27W
Notes	Delivered lumens based on 30D optic with no lens, (see page 2)	

15° BEAM (Note: Specifications are subject to change without notice)		
6mm COB PERFORMANCE DATA		
LED LIGHT ENGINE	NOMINAL DELIVERED LUMENS	SYSTEM WATTAGE
10LM	870LM @30K/80CRI	11W
15LM	1240LM @30K/80CRI	19W
10LM	750LM @30K/90CRI	11W
15LM	1060LM @30K/90CRI	19W
Notes	Delivered lumens based on 15D optic with no lens, (see page 2)	

9.9° BEAM (Note: Specifications are subject to change without notice)		
4.5mm COB PERFORMANCE DATA		
LED LIGHT ENGINE	NOMINAL DELIVERED LUMENS	SYSTEM WATTAGE
10LM	975LM @30K/80CRI	17.5W
10LM	830LM @30K/90CRI	17.5W
Notes	Delivered lumens based on 9D optic with no lens, (see page 2)	



FEATURES

- Quiet ceiling achieved through 2" deep regress
- Superior 32.5° cut off angle
- UGR <5
- 1/16" micro flange
- 9° - 50° optical beam control
- Multiple mounting, glare control options, trims, and finishes available

DIMMING AND CONTROLS

- eldoLED flicker free 0-10V dimming to 0% and 1%
- eldoLED flicker free DALI dimming to 0% and 1%
- Lutron Hi-lumen (Eco System) dimming to 0.1%
- Leading & trailing edge (Triac/ELV) dimming to 1%
- Casambi bluetooth dimming to 1%
- NLight control interface dimming to 0%

CONSTRUCTION

- Lexan™ (PC) highly resistant to impact and heat (240°F)
- Optimal material for wireless BLE signal connectivity
- Shatter proof acrylic bezel lens
- Electrocoated 16-gauge cold-rolled steel construction
- Accommodates ceiling thickness from 1/8" to 1-5/8"

LED

- 90 CRI: SDCM = 2-step MacAdam Ellipse, Lumen Maintenance: L₇₀ > 66,000 hrs
- 80 CRI: SDCM = 2-step MacAdam Ellipse, Lumen Maintenance: L₇₀ > 66,000 hrs

LISTING

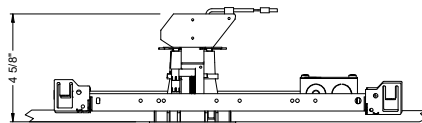
- ULus Listed to UL1598 & UL2108; cUL Listed to CSA C22.2 #250.0
- IP65 with lens - Suitable for wet locations with lens - Suitable for damp locations without lens
- Non-conductive, dead-front construction (Shower Approved)
- NSF/ANSI-2 with lens (Non-Food and Splash Zone)
- 5 Year Limited warranty

ELECTRICAL

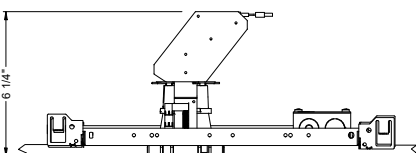
- 120V only Triac/ELV, 120V-277V
- Power factory ≥ 0.9
- 2kV driver input surge protection
- Remote emergency test switch
- 7W, 10W (T20 CEC) and 12W EM 90min battery
- Max. ambient installation temperature 95°F (35°C)

FIXTURE HEIGHT

LED LIGHT ENGINE: 1000LM - 3000LM



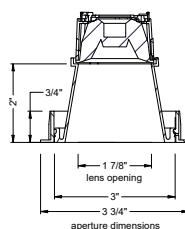
LED LIGHT ENGINE [IC, ICAT, CP]: 1000LM - 3000LM



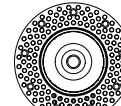
TRIMMED



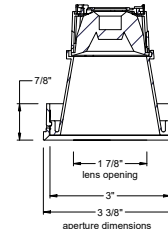
ceiling cutout
3-3/8" diameter
ceiling thickness
1/8" to 1-5/8"



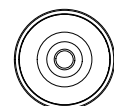
TRIMLESS



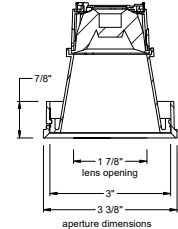
ceiling cutout
3-1/2" diameter
ceiling thickness
3/8" to 1-3/4"



MILLWORK



ceiling cutout
3-1/2" diameter
ceiling thickness
1/2" to 1-3/4"



alphabet

PROJECT INFORMATION		
JOB NAME		TYPE
ORDERING CODE		

9°- 50° BEAM ORDERING CODE

SERIES	NU3	NU3
TYPE	RDDR	round downlight deep regress
	RDTDR	round downlight trimless deep regress
	RDTMWRD	round downlight trimless millwork deep regress
LED	SW	standard white
DELIVERED LUMENS	10LM	880 lm
	15LM	1290 lm
	20LM	1680 lm
	25LM	2050 lm
	30LM	2470 lm
Standard Configuration: 3000K 80CRI 30D NL Calculated Delivered Lumens = [Delivered Lumen Value] x [CCT Multiplier] x [Optic Multiplier] x [Lens Multiplier]		
CCT	27K	2700K
	30K	3000K
	35K	3500K
	40K	4000K
CRI	80	80 CRI
	90	90 CRI
OPTIC & LM MULTIPLIER SEE PAGE 3	9D ¹	9.9 degrees (1.12)
	15D ²	15 degrees (0.93)
	20D	20 degrees (0.92)
	25D	25 degrees (0.93)
	30D	30 degrees (1.00)
BEZEL LENS SEE PAGE 3	NL ³	no lens (1.00)
	DL ^{4,5}	diffused lens (0.86)
	HET ^{4,5}	high efficiency textured lens, similar to Solite™ (0.93)
	SBL	smoothing beam lens (0.95)
	HCL	honeycomb louver (0.83)
TRIM COLOR SEE PAGE 3	BK	black
	WH	white
	MC	matte chrome
	BZ	bronze
	WT	wheat
Not applicable to trimless option. Do not include in trimless ordering code.		
BEZEL COLOR SEE PAGE 3	BK	black (0.85)
	WH ⁶	white (0.98)
	MC	matte chrome (0.94)
	DC	dark chrome, vacuum metalized (0.90)
	GN	gun metal, vacuum metalized (0.98)
	SA	specular, vacuum metalized (1.00)
	CU	copper, vacuum metalized (0.94)
	AU	gold, vacuum metalized (0.96)

9°- 50° BEAM ORDERING CODE

MOUNTING OPTIONS SEE PAGE 5, 6	NC	new construction with ceiling fitting plate
	IC ⁷	insulation contact housing
	ICAT ⁷	insulation contact/airtight housing
	CP ⁷	chicago plenum housing
	RET	retrofit, no ceiling fitting plate
VOLTAGE	120	120V
	UNV	120V-277V
DIMMING	DIM10	eldoLED flicker free 0-10V dimming to 1%
	DIM10Z	eldoLED flicker free 0-10V dimming to 0%
	DALI	eldoLED flicker free DALI 2 dimming to 1%
	DALIZ	eldoLED flicker free DALI 2 dimming to 0%
	LUTP ⁸	Lutron Hi-lume Premier Ecosystem dimming to 0.1%, Soft-on & Fade-to-Black
	ELV1 ⁹	leading & trailing edge (Triac/ELV) dimming to 1%
ELECTRICAL OPTIONS	CAS	Casambi Bluetooth control with flicker free 1% dimming
	NLT	nLight control interface: standard Cat-5/RJ45 connection (female), dim to off
	EM7 EM12 EM10CA20	emergency battery backup, 90 minutes at 7W to LED emergency battery backup, 90 minutes at 12W to LED remote emergency battery backup, 90 minutes at 10W to LED, CA title 20

ADDITIONAL MOUNTING INFO

New Construction Bar Hangers (included)	Mounting Length: 14-3/4" to 26"
Extension Kit p/n: K20266 (ordered separately, 1 per fixture)	Extends a pair of Bar Hangers Total Mounting Length: 29" to 48"

YOUR COMPLETED ORDERING CODE

Follow the steps to specify your fixture, example:
NU3 - RDDR - SW - 10LM - 35K - 90 - 30D - SBL - WH - BK - NC - UNV - DIM10 - EM7

NOTES

- 9D available in 10LM with NL/SBL lens options.
- 15D available in 10LM/15LM. Not available with DL lens option.
- NL option does not meet requirement for AT/DF/WET/NSF listings.
- DL/HET lens options not recommended with WHITE bezel, UGR >20.
- DL/HET lens options available in DC/GN/SA/CU/AU color with 30D/50D optics.
- WHITE bezel color not recommended for 20LM/25LM/30LM, UGR >20.
- IC/ICAT/CP not available in 9D/10LM or 30LM.
- LUTP not available in 25LM/35LM.
- ELV1 (120V) not available in 10LM with 20D/25D/30D/50D.

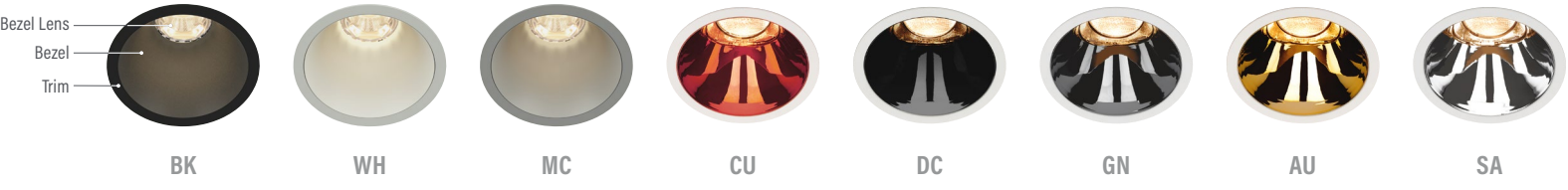
*EldoLED uses logarithmic dimming curve as standard. For linear dimming curve, add "LIN" after dimming code, i.e. DIM10LIN.

alphabet

PROJECT INFORMATION		
JOB NAME		TYPE
ORDERING CODE		

TRIM OPTIONS

TRIM/BEZEL COLORS



OPTICAL OPTIONS

- UGR calculation based on CIE 117-1995; room size: 4H X 8H, reflectance: 70/50/20;
- UGR calculation based on 15LM fixtures, SA Bezel, unless otherwise noted.



OPTIC	BEAM ANGLE	UGR
15D	13	≤5
20D	16.8	≤5
25D	22.4	≤5



OPTIC	BEAM ANGLE	UGR
9D*	9.9	≤5
15D	13	≤5
20D	17.1	≤5
25D	23.7	≤5

* UGR Calculations based on 10LM for 9D



OPTIC	BEAM ANGLE	UGR
20D	30	10.7
25D	35.6	14
30D	41.7	14.8
50D	55.5	18.1

**WH (White Bezel)



OPTIC	BEAM ANGLE	UGR
9D*	9.9	8
15D	13.6	8.5
20D	19	15.5
25D	24.8	14.9
30D	31.7	14.9
50D	52.6	18.5

* UGR Calculations based on 10LM for 9D

** White Bezel



OPTIC	BEAM ANGLE	UGR
15D	14	≤5
20D	17.4	≤5
25D	23.8	≤5



OPTIC	BEAM ANGLE	UGR
20D	19.8	≤5
25D	25.9	7
30D	30.4	7.8
50D	46.8	15

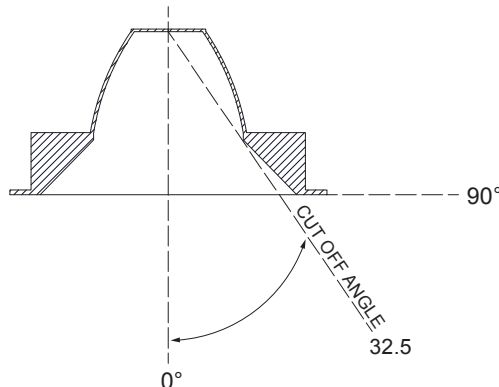
GLARE CONTROL

CUT-OFF ANGLE

Visual comfort is achieved with a lower cut-off angle due to improved glare control. The smaller the cut-off angle, the easier it is on the eye.

Alphabet downlights have been thoughtfully engineered to eliminate glare while still delivering functional illumination.

- Cutoff angle is 32.5 degrees;



alphabet

PROJECT INFORMATION		
JOB NAME		TYPE
ORDERING CODE		

PHOTOMETRIC DATA

15LM CCT MULTIPLIERS		
	80CRI	90CRI
2700K	0.96	0.81
3000K	1	0.85
3500K	1.03	0.88
4000K	1.06	0.91
FC Formula = CBCP / Distance ²		

20D 19° NO LENS, WHITE BEZEL	
Throw Distance (ft)	Beam Diameter (ft)
6	2.1
8	2.7
10	3.4
12	4
14	4.7
Illuminance at Center (fc)	
237	
133	
85	
59	
44	
WATTS: 12.5	LPW: 94.8
LUMENS: 1185	CCT: 3000K
INTENSITY	
DEGREE	CANDELA
0	8543
5	7100
15	1596
25	91
35	37
45	33

25D 25° NO LENS, WHITE BEZEL	
Throw Distance (ft)	Beam Diameter (ft)
6	2.6
8	3.5
10	4.4
12	5.3
14	6.2
Illuminance at Center (fc)	
148	
83	
53	
37	
27	
WATTS: 12.5	LPW: 96.2
LUMENS: 1202	CCT: 3000K
INTENSITY	
DEGREE	CANDELA
0	5339
5	4730
15	1903
25	363
35	42
45	26

30D 32° NO LENS, WHITE BEZEL	
Throw Distance (ft)	Beam Diameter (ft)
6	3.4
8	4.6
10	5.7
12	6.8
14	8
Illuminance at Center (fc)	
114	
64	
41	
29	
21	
WATTS: 12.5	LPW: 103.5
LUMENS: 1294	CCT: 3000K
INTENSITY	
DEGREE	CANDELA
0	4118
5	3888
15	2248
25	487
35	34
45	24

50D 52° NO LENS, WHITE BEZEL	
Throw Distance (ft)	Beam Diameter (ft)
6	4.6
8	7.9
10	9.9
12	11.9
14	13.9
Illuminance at Center (fc)	
46	WATTS:
26	
17	
12	
9	
WATTS: 12.5	LPW: 98.8
LUMENS: 1235	CCT: 3000K
INTENSITY	
DEGREE	CANDELA
0	1654
5	1658
15	1581
25	929
35	194
45	27

30LM CCT MULTIPLIERS		
	80CRI	90CRI
2700K	0.96	0.81
3000K	1	0.85
3500K	1.03	0.88
4000K	1.06	0.91
FC Formula = CBCP / Distance ²		

20D 20° HET LENS, SA BEZEL	
Throw Distance (ft)	Beam Diameter (ft)
6	2.1
8	2.8
10	3.5
12	4.2
14	4.9
Illuminance at Center (fc)	
416	
234	
150	
104	
76	
WATTS: 26.1	LPW: 85.2
LUMENS: 2224	CCT: 3000K
INTENSITY	
DEGREE	CANDELA
0	14978
5	12719
15	3439
25	320
35	42.6
45	13

25D 26° HET LENS, SA BEZEL	
Throw Distance (ft)	Beam Diameter (ft)
6	2.8
8	3.7
10	4.6
12	5.5
14	6.4
Illuminance at Center (fc)	
257	
145	
92	
64	
47	
WATTS: 26.1	LPW: 85.5
LUMENS: 2231	CCT: 3000K
INTENSITY	
DEGREE	CANDELA
0	9250
5	8456
15	3629
25	828
35	104
45	19

30D 31° HET LENS, SA BEZEL	
Throw Distance (ft)	Beam Diameter (ft)
6	3.3
8	4.4
10	5.5
12	6.5
14	7.6
Illuminance at Center (fc)	
219	
123	
79	
55	
40	
WATTS: 26.1	LPW: 91.3
LUMENS: 2382	CCT: 3000K
INTENSITY	
DEGREE	CANDELA
0	7856
5	7470
15	4018
25	1053
35	123
45	19

50D 48° HET LENS, SA BEZEL	
Throw Distance (ft)	Beam Diameter (ft)
6	5.3
8	7.1
10	8.9
12	10.7
14	12.4
Illuminance at Center (fc)	
107	
60	
38	
27	
20	
WATTS: 26.1	LPW: 86.3
LUMENS: 2253	CCT: 3000K
INTENSITY	
DEGREE	CANDELA
0	3662
5	3820
15	3001
25	1643
35	406
45	29

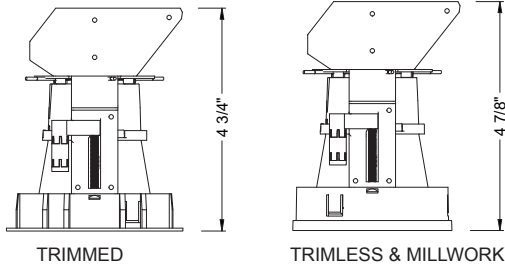
alphabet

PROJECT INFORMATION		
JOB NAME		TYPE
ORDERING CODE		

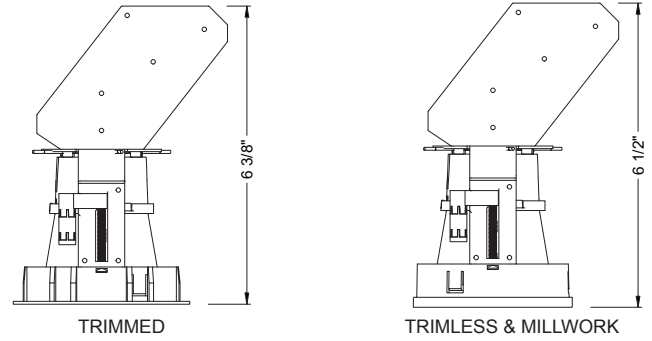
MOUNTING OPTIONS

FIXTURE HEIGHT

LED LIGHT ENGINE: 1000LM - 3000LM

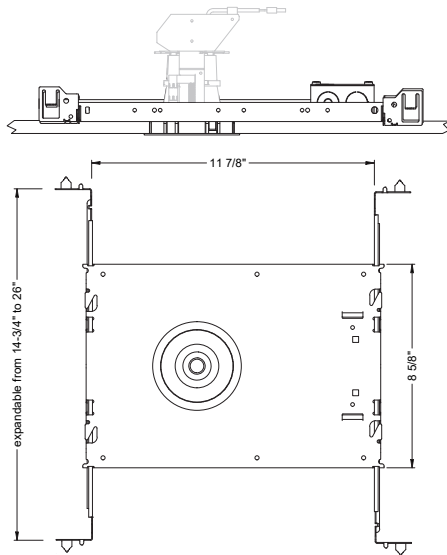


LED LIGHT ENGINE [IC, ICAT, CP]: 1000LM - 3000LM

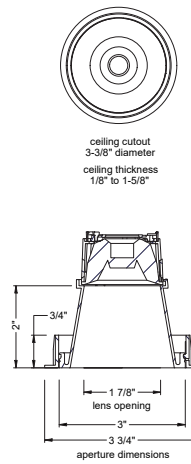


NC - NEW CONSTRUCTION

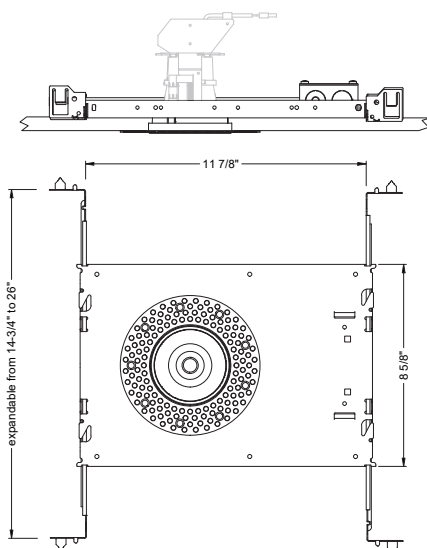
TRIM



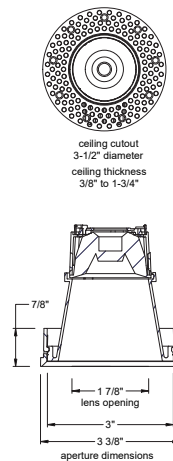
TRIM



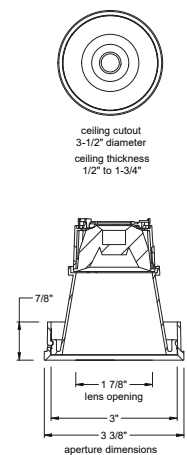
TRIMLESS



TRIMLESS



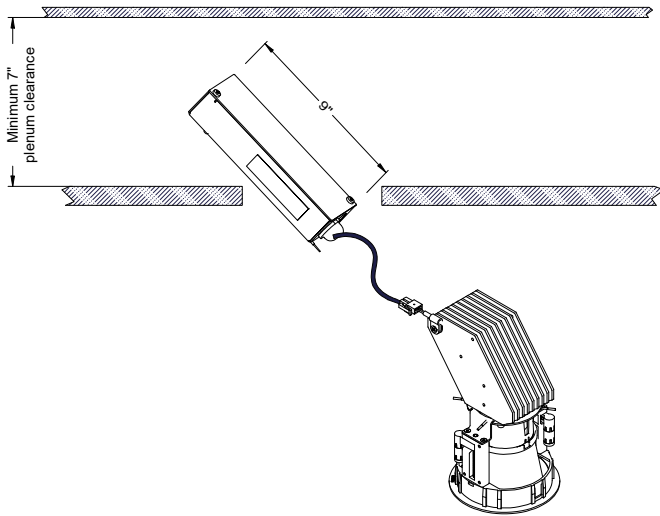
TRIMLESS/MILLWORK



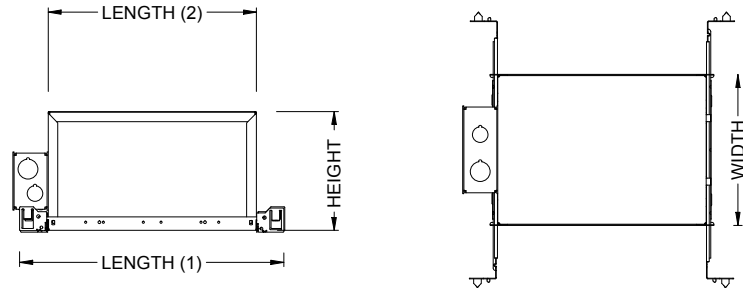
PROJECT INFORMATION		
JOB NAME	TYPE	
ORDERING CODE		

MOUNTING OPTIONS (CONTINUED)

RET - RETRO TRIM/TRIMLESS



IC - INSULATION CONTACT HOUSING ICAT - INSULATION CONTACT / AIR TIGHT CP - CHICAGO PLENUM



BOX SIZE	L 1	L 2	W	H
A	15 - 7/16"	11 - 3/4"	8 - 1/2"	6 - 3/4"
B	18 - 1/4"	14 - 7/8"	12 - 1/8"	11 - 1/4"
C	18 - 1/4"	14 - 7/8"	12 - 1/8"	6 - 3/4"

RATINGS / CERTIFICATIONS	NC	RET	IC	ICAT	CP
TYPE NON-IC	✓	✓			
TYPE IC			✓	✓	✓
CHICAGO PLENUM (CCEA)					✓
SUITABLE FOR AIR HANDLING PLENUMS	✓	✓	✓	✓	✓
REDUCED AIRFLOW (WITH LENS) ASTM E283	✓	✓	✓	✓	✓

BOX TYPE / LUMEN OUTPUT - NARROW BEAM (9°)					
LUMEN OUTPUT	BOX - A			BOX - B	BOX - C
	CP	IC	ICAT	IC	ICAT
10LM					

CEILING THICKNESS	
FIXTURE TYPE	MOUNTING TYPE
	NC, IC, ICAT, CP, RET
TRIM	1/8" to 1-5/8"
TRIMLESS	3/8" to 1-3/4"
MILLWORK (TRIMLESS)	1/2" to 1-3/4"

BOX TYPE / LUMEN OUTPUT - NARROW BEAM (15°)					
LUMEN OUTPUT	BOX - A			BOX - B	BOX - C
	CP	IC	ICAT	IC	ICAT
10LM	✓	✓	✓		
15LM	✓	✓	✓		

BOX TYPE / LUMEN OUTPUT - STANDARD BEAMS (20° - 50°)					
LUMEN OUTPUT	BOX - A			BOX - B	BOX - C
	CP	IC	ICAT	IC	ICAT
10LM	✓	✓	✓		
15LM	✓	✓	✓		
20LM	✓	✓	✓		
25LM	✓	✓	✓		
30LM					

PROJECT INFORMATION		
JOB NAME		TYPE
ORDERING CODE		

BATTERY OPTIONS

EMERGENCY BATTERY

IOTA's ILB Battery Backups are UL Listed LED emergency drivers that allow the same LED fixture to be used for both normal and emergency operation. In the event of a power failure, the ILB switches to the emergency mode and operates the existing fixture for 90 minutes. The unit contains a battery, charger, and converter circuit in a single can. The Constant Power design of the ILB maintains the output wattage to the LED array even as the system voltage diminishes. UL 924 Listed for U.S. and Canada. UL 1310 Certified, Output Class 2 Compliant. Includes single-piece TBTS test switch and charge indicator accessory kit. For use with switched and unswitched Electric Code and Life Safety Code Emergency Lighting Requirements. Rated for use in Plenum, Damp Location, Recessed Type IC, and Enclosed and Gasketed Luminares.

REMOTE TEST SWITCH

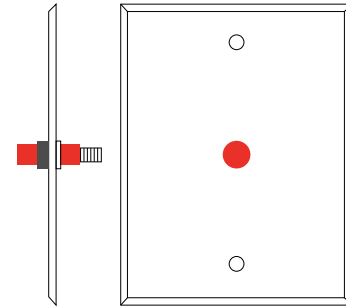
The Remote Test Switch may be mounted adjacent to the LED Fixture by others.

EMERGENCY BATTERY ACCESS

Above ceiling access is recommended for ease of service, but LED Fixture Sizes of 4" and Larger are capable of below ceiling access. IC/ICAT/CP Box and ITS option require an access panel in the ceiling (or other form of access) adjacent to the installation location of the Emergency Battery.

REMOTE LOCATION

Maximum remote mounting distance of the emergency driver shall be 50 feet. Remote location wiring provided by others. Follow all Local and National Electric/ Building Codes.

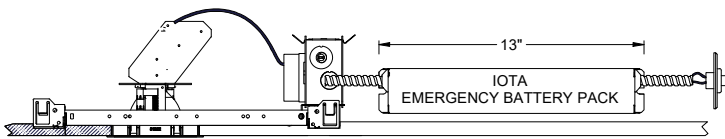


Remote Test Switch

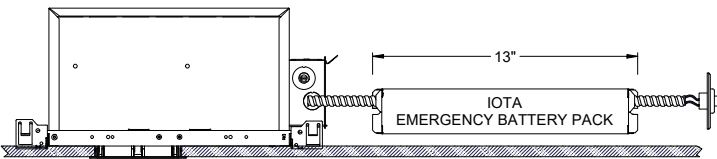
EM MODE OUTPUT (DELIVERED LUMENS)			
LUMEN ORDERING CODE	EM7	EM10	EM12
ALL OPTIONS (10LM TO 30LM)	800LM	1100LM	1210LM

Notes: Based on 30K, 80CRI

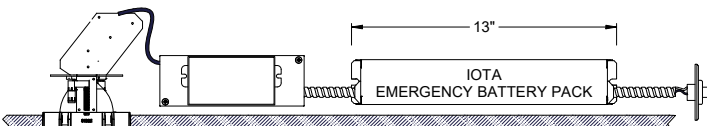
NC - NEW CONSTRUCTION WITH EM BATTERY (REMOTE TEST SWITCH)



IC / ICAT / CP - INSULATION CONTACT HOUSING WITH EM BATTERY (REMOTE TEST SWITCH)

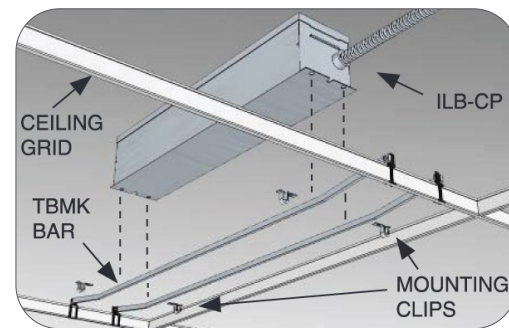


RET - RETROFIT WITH EM BATTERY (REMOTE TEST SWITCH)



Accessory

76066 Optional T-Grid Mounting Kit¹



1. Can be used with any of the Emergency Battery Backups. Must be ordered as a separate line item.