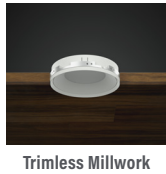
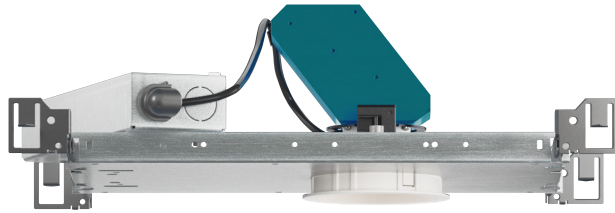


PROJECT INFORMATION		
JOB NAME		TYPE
ORDERING CODE		

NU3

3" Round Downlight Tunable White



40° - 70° BEAM (Note: Specifications are subject to change without notice)		
14m COB PERFORMANCE DATA LUMINUS		
LED LIGHT ENGINE	NOMINAL DELIVERED LUMENS	SYSTEM WATTAGE
10LM	910LM @30K/90CRI	15W
15LM	1400LM @30K/90CRI	25W
Notes	Delivered lumens based on 55° optic with diffused lens (see page 2)	



40° - 70° BEAM (Note: Specifications are subject to change without notice)		
14m COB PERFORMANCE DATA NICHIA		
LED LIGHT ENGINE	NOMINAL DELIVERED LUMENS	SYSTEM WATTAGE
10LM	1050LM @30K/80CRI	15W
15LM	1400LM @30K/80CRI	18W
20LM	1750LM @30K/80CRI	22W
25LM	2100LM @30K/80CRI	28W
Notes	Delivered lumens based on 55° optic with diffused lens (see page 2)	

FEATURES

- 3/4" bezel regress with 1/16" micro flange
- 40° to 70° optical beam control
- UGR <19
- Up to 80 LPW
- Glare control, specialty optics, trim options, and custom finishes available
- Microban® antimicrobial finish available on all exposed painted surfaces

LED

- Luminus tunable white COB: 95 CRI, R9 > 70; SDCM = 4-step MacAdam Ellipse; Lumen Maintenance: L₇₀ > 54,000 hrs
- Nichia tunable white COB: 80 CRI, R9 > 0; SDCM = 3-step MacAdam Ellipse; Lumen Maintenance: L₉₀ > 33,000 hrs

DIMMING AND CONTROLS

- eldoLED flicker free 0-10V dimming to 0% and 1%
- eldoLED flicker free DALI dimming to 0% and 1%
- Casambi bluetooth dimming to 0%
- NLight control interface dimming to 0%

LISTING

- ULus Listed to UL1598 & UL2108; cUL Listed to CSA C22.2 #250.0
- IP65 with lens - Suitable for wet locations with lens - Suitable for damp locations without lens
- Non-conductive, dead-front construction (shower approved)
- NSF/ANSI-2 with lens (Non-Food and Splash Zones)
- 5 Year Limited warranty

CONSTRUCTION

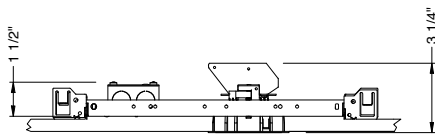
- Lexan™ (PC) highly resistant to impact and heat (240°F)
- Optimal material for wireless BLE signal connectivity
- Shatter proof acrylic bezel lens
- Electrocoated 16-gauge cold-rolled steel construction
- Accommodates ceiling thickness from 1/8" to 1-3/8"
- **For servicing the driver/j-box, access above ceiling is required**

ELECTRICAL

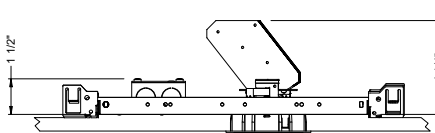
- 120V-277V, 120 only Triac / ELV
- Power factor ≥ 0.9
- 2kV driver input surge protection
- Max. ambient installation temperature 95°F (35°C)

FIXTURE HEIGHT

LED LIGHT ENGINE: 10LM - 20LM



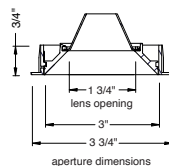
LED LIGHT ENGINE: 25LM



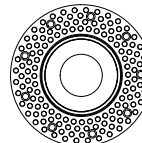
TRIMMED



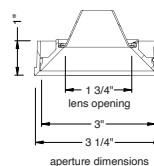
ceiling cutout
3-3/8" diameter
ceiling thickness
1/8" to 1-1/4"



TRIMLESS



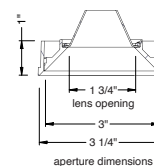
ceiling cutout
3-1/2" diameter
ceiling thickness
3/8" to 1-3/8"



MILLWORK



ceiling cutout
3-1/2" diameter
ceiling thickness
1/2" to 1-3/8"



alphabet

PROJECT INFORMATION		
JOB NAME		TYPE
ORDERING CODE		

40°-70° BEAM ORDERING CODE

SERIES	NU3	NU3
TYPE	RD	round downlight
	RDT	round downlight trimless
	RDTMW	round downlight trimless millwork
LED	TW	tunable white (Luminus)
DELIVERED LUMENS	10LM	910 lm
	15LM	1400 lm
Standard Configuration: 3500K HE55 Calculated Delivered Lumens = [Delivered Lumen Value] x [CCT Multiplier] x [Reflector Multiplier]		
CCT	2765 2700K to 6500K tunable white	
	CCT	2700K 3000K 3500K 4000K 5000K 5700K 6500K
	CCT MULTIPLIER FOR LUMEN OUTPUT	0.91 0.91 0.98 0.98 1.00 1.00 0.99 0.99 1.01 1.01 1.01 1.01 1.02 1.02
	EML RATIO	0.49 0.49 0.57 0.57 0.68 0.68 0.79 0.79 0.96 0.96 1.04 1.04 1.12 1.12
CCT	1840 1800K to 4000K tunable white	
	CCT	1800K 2000K 2400K 2700K 3000K 3500K 4000K
	CCT MULTIPLIER FOR LUMEN OUTPUT	0.67 0.67 0.74 0.74 0.8 0.8 0.85 0.85 0.88 0.88 0.95 0.95 1.01 1.01
	EML RATIO	0.21 0.21 0.33 0.33 0.46 0.46 0.53 0.53 0.59 0.59 0.67 0.67 0.73 0.73
CRI	95	95 typical, 90 minimum
OPTIC & LM MULTIPLIER SEE PAGE 4	HE40	40° high efficiency diffused lens (0.97)
	HE55	55° high efficiency diffused lens (1.00)
	D40	40° diffused with clear lens (0.92)
	D60	60° diffused with clear lens (0.91)
	WH70	70° brilliant white with clear lens (0.90)
ACCESSORY SEE PAGE 4	HCL ¹	honeycomb louver (0.85)
Attached to bezel		
TRIM COLOR SEE PAGE 4	BK	black
	WH	white
	MC	matte chrome
	BZ	bronze
	WT	wheat
CC ²	custom color, consult factory for details	
Antimicrobial finish, add AM to black, white or matte chrome i.e. BKAM.		
Not applicable to trimless option. Do not include in trimless ordering code.		
BEZEL COLOR SEE PAGE 4	BK	black (0.98)
	WH	white (1.00)
	MC	matte chrome (0.99)
	BZ	bronze (0.98)
	WT	wheat (0.98)
CC ²	custom color, consult factory for details	
Antimicrobial finish, add AM to black, white or matte chrome i.e. BKAM.		

40°-70° BEAM ORDERING CODE

MOUNTING OPTIONS SEE PAGE 7, 8	NC	new construction with ceiling fitting plate
	RET	retrofit, no ceiling fitting plate
For servicing the driver/j-box access above ceiling is required.		
VOLTAGE	120	120V
	UNV	120V-277V
DIMMING	DIM10Z ³	eldoLED flicker free 0-10V dimming to 0%
	DALIZ	eldoLED flicker free DALI dimming to 0%
	NLT	nLight control interface: standard Cat-5/RJ45 connection (female), dimming to 0%
	CASZ	Casambi Bluetooth dim to zero

ADDITIONAL MOUNTING INFO

New Construction Bar Hangers (included)	Mounting Length: 14-3/4" to 26"
Extension Kit p/n: K20266 (ordered separately, 1 per fixture)	Extends a pair of Bar Hangers Total Mounting Length: 29" to 48"

YOUR COMPLETED ORDERING CODE

Follow the steps to specify your fixture, example:	
NU3 - RD - TW - 10LM - 2765 - 95 - HE40 - WH - WH - NC - UNV - DIM10	

NOTES

- HCL not available with lens.
- Custom set up fee plus minimum quantity required per color.
- Requires 2 wall controllers (see wiring diagram).

* EML = equivalent melanopic lux. To calculate EML, multiply the measured photopic lux by the EML ratio for the given CCT. Example: 254 lux x 0.79 = 200 melanopic lux at 4000K.

alphabet

PROJECT INFORMATION		
JOB NAME		TYPE
ORDERING CODE		

NICHIA TW ORDERING CODE													
SERIES	NU3	NU3											
TYPE	RD	round downlight											
	RDT	round downlight trimless											
	RDTMW	round downlight trimless millwork											
LED	TW	tunable white (Nichia)											
DELIVERED LUMENS	10LM	1050 lm											
	15LM	1400 lm											
	20LM	1750 lm											
	25LM	2100 lm											
	Standard Configuration: 3500K HE55 Calculated Delivered Lumens = [Delivered Lumen Value] x [CCT Multiplier] x [Reflector Multiplier]												
CCT	2750	2700K to 5000K tunable white											
		<table border="1"> <thead> <tr> <th>CCT</th> <th>2700K</th> <th>3000K</th> <th>3500K</th> <th>4000K</th> <th>5000K</th> </tr> </thead> <tbody> <tr> <td>EML RATIO</td> <td>0.67</td> <td>0.74</td> <td>0.8</td> <td>0.85</td> <td>0.88</td> </tr> </tbody> </table>	CCT	2700K	3000K	3500K	4000K	5000K	EML RATIO	0.67	0.74	0.8	0.85
CCT	2700K	3000K	3500K	4000K	5000K								
EML RATIO	0.67	0.74	0.8	0.85	0.88								
CRI	80	80 CRI											
OPTIC & LM MULTIPLIER SEE PAGE 4	HE40	40° high efficiency diffused lens (0.97)											
	HE55	55° high efficiency diffused lens (1.00)											
	D40	40° diffused with clear lens (0.92)											
	D60	60° diffused with clear lens (0.91)											
	WH70	70° brilliant white with clear lens (0.90)											
TIR OPTIC ACCESSORY SEE PAGE 4	HCL¹	honeycomb louver											
	Attached to TIR optic, active												
TRIM COLOR SEE PAGE 4	BK	black											
	WH	white											
	MC	matte chrome											
	BZ	bronze											
	WT	wheat											
	CC²	custom color, consult factory for details											
Antimicrobial finish, add AM to black, white or matte chrome i.e. BKAM.													
Not applicable to trimless option. Do not include in trimless ordering code.													
BEZEL COLOR SEE PAGE 4	BK	black (0.98)											
	WH	white (1.00)											
	MC	matte chrome (0.99)											
	BZ	bronze (0.98)											
	WT	wheat (0.98)											
	CC²	custom color, consult factory for details											
Antimicrobial finish, add AM to black, white or matte chrome i.e. BKAM.													

NICHIA TW ORDERING CODE		
MOUNTING OPTIONS SEE PAGE 7, 8	NC	new construction with ceiling fitting plate
	RET	retrofit, no ceiling fitting plate
For servicing the driver/j-box access above ceiling is required.		
VOLTAGE	120	120V
	UNV	120V-277V
DIMMING	DALIZ	eldoLED flicker free DALI dimming to 0%
	DIM10Z³	eldoLED flicker free 0-10V dimming to 0%
	NLT	nLight control interface: standard Cat-5/RJ45 connection (female), dimming to 0%
	CASZ	Casambi Bluetooth dim to zero

ADDITIONAL MOUNTING INFO	
New Construction Bar Hangers (included)	Mounting Length: 14-3/4" to 26"
Extension Kit p/n: K20266 (ordered separately, 1 per fixture)	Extends a pair of Bar Hangers Total Mounting Length: 29" to 48"

YOUR COMPLETED ORDERING CODE
Follow the steps to specify your fixture, example:
NU3 - RD - TW - 10LM - 2750 - 80 - HE40 - WH - WH - NC - UNV - DIM10

NOTES

- HCL not available with lens.
- Custom set up fee plus minimum quantity required per color.
- Requires 2 wall controllers (see wiring diagram).

*EML = equivalent melanopic lux. To calculate EML, multiply the measured photopic lux by the EML ratio for the given CCT.
Example: 290 lux x 0.69 = 200 melanopic lux at 4000K.

alphabet

PROJECT INFORMATION		
JOB NAME		TYPE
ORDERING CODE		

TRIM OPTIONS

TRIM/BEZEL COLORS



WH



MC



BK



BZ



WT

OPTICAL OPTIONS

- UGR calculation based on CIE 117-1995; room size: 4H X 8H, reflectance: 70/50/20;
- UGR calculation based on 15LM fixtures, unless otherwise noted.

LUMINUS

ACCESSORY

Honeycomb Louver



OPTIC	BEAM ANGLE	UGR
D40	31	13.9
D60	52	17.5
WH70	59	18.8
HE40	36	15.3
HE55	49	16.2

DL

Diffused Lens



OPTIC	BEAM ANGLE	UGR
HE40	43	21.6
HE55	57	24

CL

Clear Lens

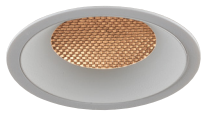


OPTIC	BEAM ANGLE	UGR
D40	41	18.5
D60	60	21.1
WH70	71	24.4

NICHIA

ACCESSORY

Honeycomb Louver



OPTIC	BEAM ANGLE	UGR
D40	31	13.8
D60	48	16.9
WH70	59	18.5
HE40	36	15.4
HE55	49	16.1

DL

Diffused Lens



OPTIC	BEAM ANGLE	UGR
HE40	44	22
HE55	58	24.1

CL

Clear Lens



OPTIC	BEAM ANGLE	UGR
D40	38	18.2
D60	50	19.9
WH70	78	26.4

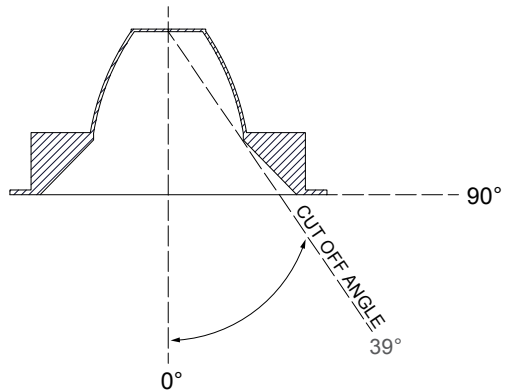
GLARE CONTROL

CUT-OFF ANGLE

Visual comfort is achieved with a lower cut-off angle due to improved glare control. The smaller the cut-off angle, the easier it is on the eye.

Alphabet downlights have been thoughtfully engineered to eliminate glare while still delivering functional illumination.

- Cutoff angle is 39° degrees;



alphabet

PROJECT INFORMATION		
JOB NAME		TYPE
ORDERING CODE		

PHOTOMETRIC DATA LUMINUS

10LM

HE40 43° HIGH EFFICIENCY DIFFUSED LENS	
Throw Distance (ft)	Beam Diameter (ft)
6	3.6
8	4.7
10	6.3
12	7.9
14	9.4
14	11
Illuminance at Center (fc)	
WATTS: 15	LPW: 60.3
LUMENS: 904	CCT: 3000K
INTENSITY	
DEGREE	CANDELA
0	1289
5	1241
15	909
25	516
35	255.97
45	116

HE55 57° HIGH EFFICIENCY DIFFUSED LENS	
Throw Distance (ft)	Beam Diameter (ft)
6	2.5
8	3.6
10	4.7
12	6.3
14	7.9
14	15.1
Illuminance at Center (fc)	
WATTS: 15	LPW: 62
LUMENS: 930	CCT: 3000K
INTENSITY	
DEGREE	CANDELA
0	886
5	866
15	722
25	512
35	316
45	170

D60 60° DIFFUSED WITH CLEAR LENS	
Throw Distance (ft)	Beam Diameter (ft)
6	2.5
8	3.6
10	4.7
12	6.3
14	7.9
14	16.2
Illuminance at Center (fc)	
WATTS: 15	LPW: 56.1
LUMENS: 842	CCT: 3000K
INTENSITY	
DEGREE	CANDELA
0	913
5	892
15	745
25	576
35	291
45	103

WH70 71° BRILLIANT WHITE WITH CLEAR LENS	
Throw Distance (ft)	Beam Diameter (ft)
6	1.6
8	2.5
10	3.6
12	4.7
14	6.3
14	20
Illuminance at Center (fc)	
WATTS: 15	LPW: 55.3
LUMENS: 830	CCT: 3000K
INTENSITY	
DEGREE	CANDELA
0	565
5	564
15	548
25	512
35	297
45	145

15LM

HE40 43° HIGH EFFICIENCY DIFFUSED LENS	
Throw Distance (ft)	Beam Diameter (ft)
6	3.5
8	4.7
10	6.3
12	7.9
14	9.4
14	11
Illuminance at Center (fc)	
WATTS: 25.5	LPW: 54.5
LUMENS: 1391	CCT: 3000K
INTENSITY	
DEGREE	CANDELA
0	1983
5	1909
15	1398
25	793.41
35	393.8
45	179

HE55 57° HIGH EFFICIENCY DIFFUSED LENS	
Throw Distance (ft)	Beam Diameter (ft)
6	3.8
8	5.1
10	6.3
12	8.6
14	10.8
14	15.1
Illuminance at Center (fc)	
WATTS: 25.5	LPW: 56.1
LUMENS: 1430	CCT: 3000K
INTENSITY	
DEGREE	CANDELA
0	1363
5	1332
15	1111
25	787
35	486
45	262

D60 60° DIFFUSED WITH CLEAR LENS	
Throw Distance (ft)	Beam Diameter (ft)
6	3.9
8	5.1
10	6.3
12	8.6
14	10.8
14	16.2
Illuminance at Center (fc)	
WATTS: 25.5	LPW: 50.8
LUMENS: 1296	CCT: 3000K
INTENSITY	
DEGREE	CANDELA
0	1405
5	1372
15	1146
25	886
35	447.87
45	158

WH70 71° BRILLIANT WHITE WITH CLEAR LENS	
Throw Distance (ft)	Beam Diameter (ft)
6	2.4
8	3.6
10	4.7
12	6.3
14	7.9
14	20
Illuminance at Center (fc)	
WATTS: 25.5	LPW: 50.1
LUMENS: 1277	CCT: 3000K
INTENSITY	
DEGREE	CANDELA
0	869
5	868
15	843
25	788
35	457
45	223

alphabet

PROJECT INFORMATION		
JOB NAME		TYPE
ORDERING CODE		

PHOTOMETRIC DATA NICHIA

10LM

HE40 44° HIGH EFFICIENCY DIFFUSED LENS	
Throw Distance (ft)	Beam Diameter (ft)
6	3.9
8	4.9
10	6.5
12	8.1
14	9.7
14	11.3
Illuminance at Center (fc)	
39	
22	
14	
10	
7	
WATTS: 15	LPW: 69.9
LUMENS: 1049	CCT: 3000K
INTENSITY	
DEGREE	CANDELA
0	1418
5	1365
15	1014
25	594
35	307
45	145

HE55 58° HIGH EFFICIENCY DIFFUSED LENS	
Throw Distance (ft)	Beam Diameter (ft)
6	6.6
8	8.8
10	11
12	13.2
14	15.5
Illuminance at Center (fc)	
27	
15	
10	
7	
5	
WATTS: 15	LPW: 70
LUMENS: 1050	CCT: 3000K
INTENSITY	
DEGREE	CANDELA
0	973
5	951
15	798
25	574
35	361
45	195

D60 50° DIFFUSED WITH CLEAR LENS	
Throw Distance (ft)	Beam Diameter (ft)
6	5.6
8	7.5
10	9.3
12	11.2
14	13.1
Illuminance at Center (fc)	
36	
20	
13	
9	
7	
WATTS: 15	LPW: 63.1
LUMENS: 946	CCT: 3000K
INTENSITY	
DEGREE	CANDELA
0	1282
5	1233
15	935
25	641
35	295
45	88

WH70 78° BRILLIANT WHITE WITH CLEAR LENS	
Throw Distance (ft)	Beam Diameter (ft)
6	9.8
8	13.1
10	16.3
12	19.6
14	22.9
Illuminance at Center (fc)	
16	
9	
6	
4	
3	
WATTS: 15	LPW: 64.6
LUMENS: 969	CCT: 3000K
INTENSITY	
DEGREE	CANDELA
0	593
5	587
15	543
25	458
35	346
45	229

25LM

HE40 44° HIGH EFFICIENCY DIFFUSED LENS	
Throw Distance (ft)	Beam Diameter (ft)
6	4.9
8	6.5
10	8.1
12	9.7
14	11.3
Illuminance at Center (fc)	
79	
44	
28	
20	
14	
WATTS: 28	LPW: 74.9
LUMENS: 2098	CCT: 3000K
INTENSITY	
DEGREE	CANDELA
0	2836
5	2729
15	2027
25	1188
35	615
45	290

HE55 58° HIGH EFFICIENCY DIFFUSED LENS	
Throw Distance (ft)	Beam Diameter (ft)
6	6.6
8	8.8
10	11
12	13.2
14	15.5
Illuminance at Center (fc)	
54	
30	
19	
14	
10	
WATTS: 28	LPW: 75
LUMENS: 2100	CCT: 3000K
INTENSITY	
DEGREE	CANDELA
0	1947
5	1902
15	1597
25	1149
35	722
45	390

D60 50° DIFFUSED WITH CLEAR LENS	
Throw Distance (ft)	Beam Diameter (ft)
6	5.6
8	7.5
10	9.3
12	11.2
14	13.1
Illuminance at Center (fc)	
71	
40	
26	
18	
13	
WATTS: 28	LPW: 67.6
LUMENS: 1892	CCT: 3000K
INTENSITY	
DEGREE	CANDELA
0	2564
5	2465
15	1870
25	1282
35	590
45	175

WH70 78° BRILLIANT WHITE WITH CLEAR LENS	
Throw Distance (ft)	Beam Diameter (ft)
6	9.8
8	13.1
10	16.3
12	19.6
14	22.9
Illuminance at Center (fc)	
33	
19	
12	
8	
6	
WATTS: 28	LPW: 69.2
LUMENS: 1938	CCT: 3000K
INTENSITY	
DEGREE	CANDELA
0	1186
5	1174
15	1085
25	915
35	692
45	457

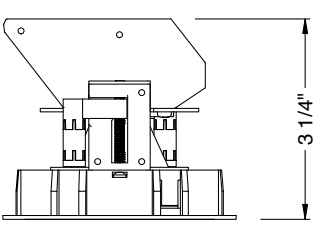
alphabet

PROJECT INFORMATION		
JOB NAME	TYPE	
ORDERING CODE		

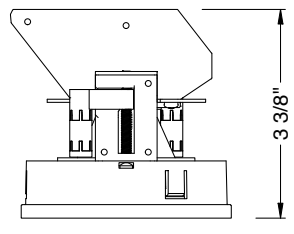
MOUNTING OPTIONS

FIXTURE HEIGHT

10LM - 15 LM LOW LUMENS

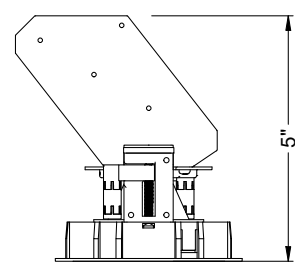


TRIMMED

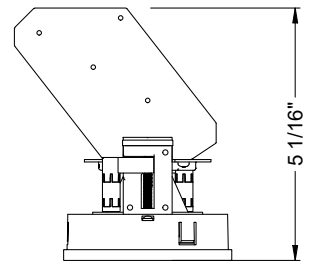


TRIMLESS & MILLWORK

20LM - 25 LM HIGH LUMENS



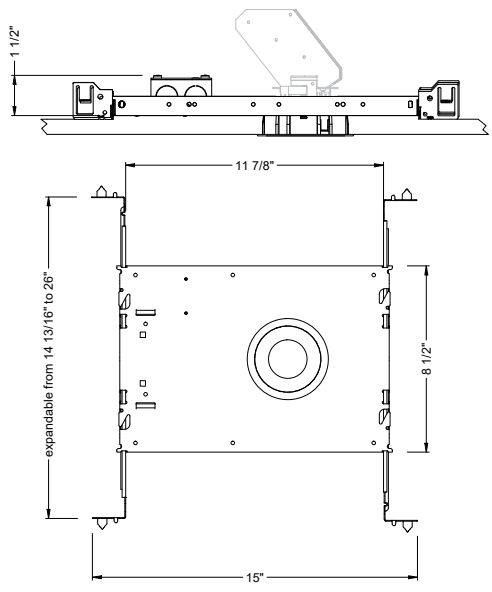
TRIMMED



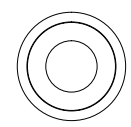
TRIMLESS & MILLWORK

NC - NEW CONSTRUCTION

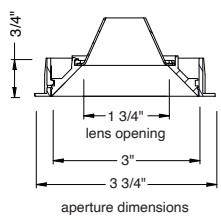
TRIM



TRIM

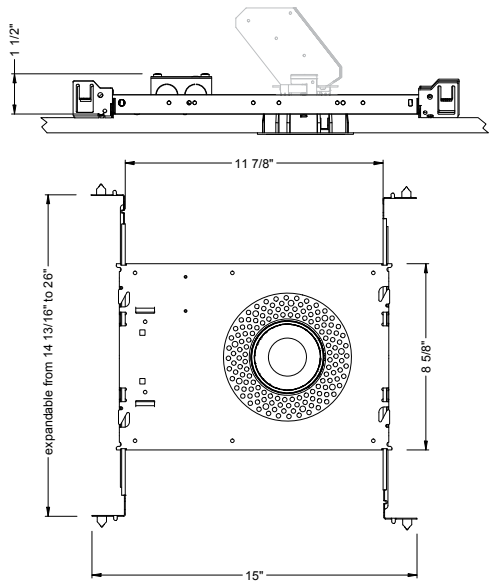


ceiling cutout
3-3/8" diameter
ceiling thickness
1/8" to 1-1/4"

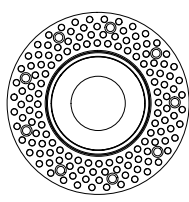


aperture dimensions

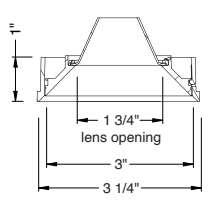
TRIMLESS



TRIMLESS

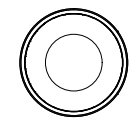


ceiling cutout
3-1/2" diameter
ceiling thickness
3/8" to 1-3/8"

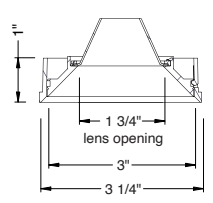


aperture dimensions

TRIMLESS/MILLWORK



ceiling cutout
3-1/2" diameter
ceiling thickness
1/2" to 1-3/8"

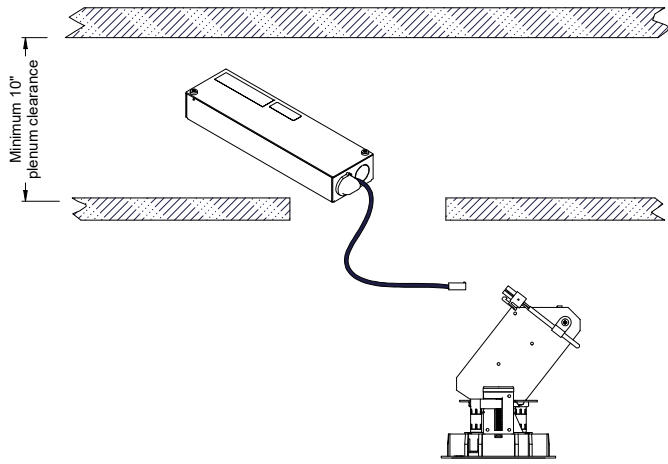


aperture dimensions

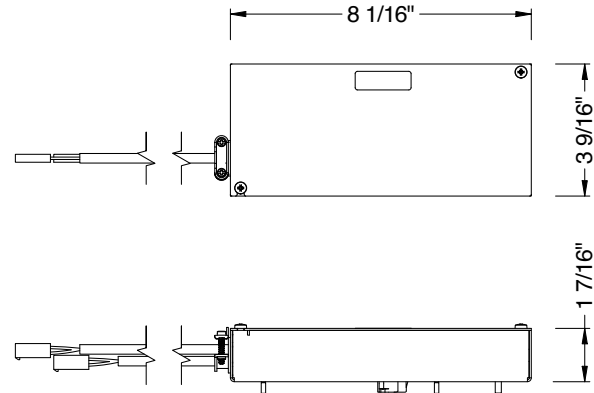
PROJECT INFORMATION		
JOB NAME	TYPE	
ORDERING CODE		

MOUNTING OPTIONS (CONTINUED)

RET - RETRO TRIM/TRIMLESS



NC - DRIVER BOX SIZE TRIM/TRIMLESS



NOTE:

For servicing the driver/j-box, access above ceiling is required. T-Bar type ceilings with removable adjacent tile access recommended. Hard lid ceilings may require access doors directly adjacent to luminaire.

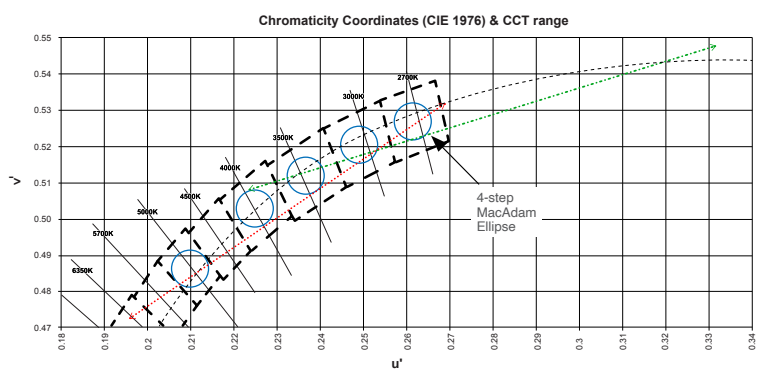
RATINGS / CERTIFICATIONS	NC	RET
TYPE NON-IC	✓	✓
TYPE IC		
CHICAGO PLENUM (CEA)		
SUITABLE FOR AIR HANDLING PLENUMS	✓	✓
REDUCED AIRFLOW (WITH LENS) ASTM E283	✓	✓

CEILING THICKNESS	
FIXTURE TYPE	MOUNTING TYPE
	STANDARD CEILING THICKNESS
TRIM	1/8" to 1-1/4"
TRIMLESS	3/8" to 1-3/8"
MILLWORK (TRIMLESS)	1/2" to 1-3/8"

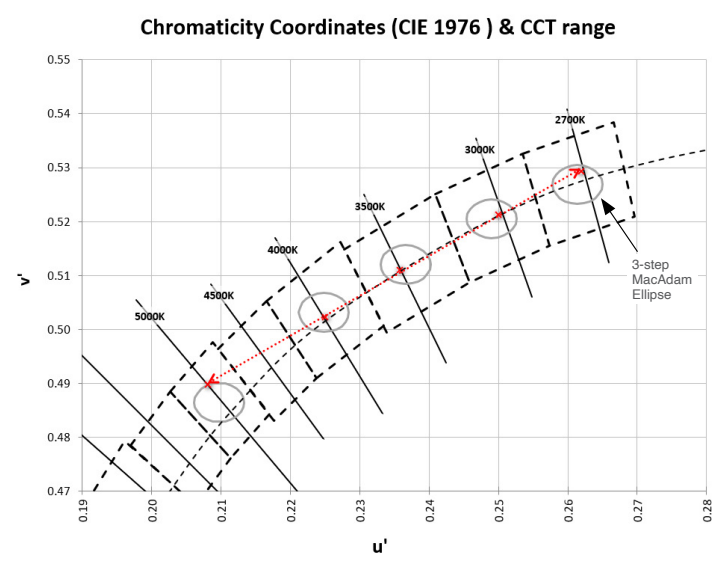
PROJECT INFORMATION		
JOB NAME	TYPE	
ORDERING CODE		

TUNABLE WHITE

LUMINUS 95CRI

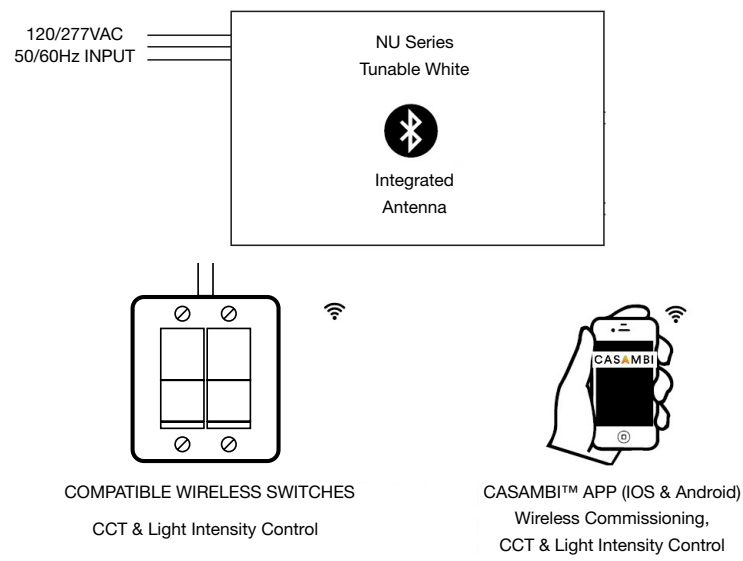


NICHIA 80CRI

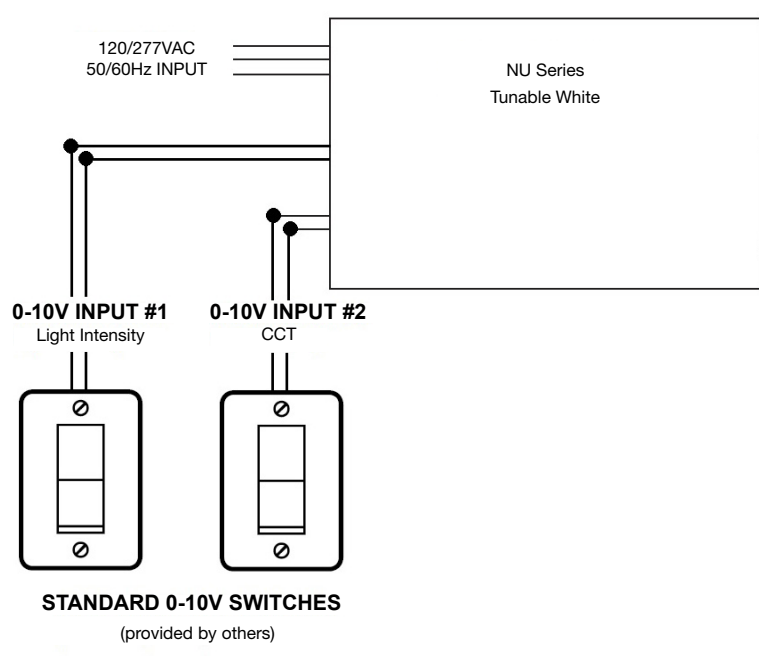


WIRING DIAGRAMS

“CAS” CASAMBI CONTROLS



“DIM10Z” HARDWIRED 0-10V CONTROL



NOTES
1 Consult factory to order compatible wireless switches.