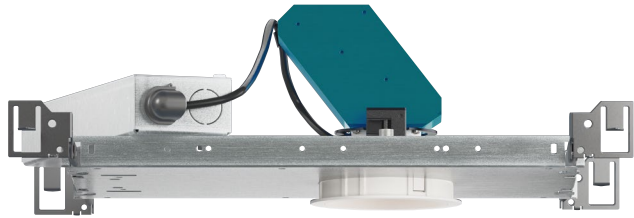


alphabet

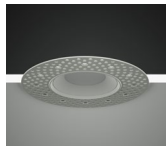
PROJECT INFORMATION		
JOB NAME		TYPE
ORDERING CODE		

NU3

3" Round Downlight Standard White



Trim



Trimless



Trimless Millwork

20° - 60° BEAM (Note: Specifications are subject to change without notice)		
9mm COB PERFORMANCE DATA		
LED LIGHT ENGINE	NOMINAL DELIVERED LUMENS	SYSTEM WATTAGE
10LM	880LM @30K/80CRI	9W
15LM	1290LM @30K/80CRI	13W
20LM	1700LM @30K/80CRI	17W
25LM	2120LM @30K/80CRI	22W
30LM	2540LM @30K/80CRI	28W
35LM	2890LM @30K/80CRI	34W
40LM	3300LM @30K/80CRI	41W
20° BEAM		
LED LIGHT ENGINE	NOMINAL DELIVERED LUMENS	SYSTEM WATTAGE
10LM	740LM @30K/90CRI	9W
15LM	1090LM @30K/90CRI	13W
20LM	1440LM @30K/90CRI	17W
25LM	1790LM @30K/90CRI	22W
30LM	2150LM @30K/90CRI	28W
35LM	2440LM @30K/90CRI	34W
40LM	2790LM @30K/90CRI	41W
Notes	Delivered lumens based on 20° optic with no lens (see page 2)	

15° BEAM (Note: Specifications are subject to change without notice)		
6mm COB PERFORMANCE DATA		
LED LIGHT ENGINE	NOMINAL DELIVERED LUMENS	SYSTEM WATTAGE
10LM	870LM @30K/80CRI	11W
15LM	1280LM @30K/80CRI	20W
10LM	740LM @30K/90CRI	11W
15LM	1080LM @30K/90CRI	20W
Notes	Delivered lumens based on 15° optic with no lens (see page 2)	



FEATURES

- 3/4" bezel regress with 1/16" micro flange
- 15° to 55° optical beam control
- UGR <17
- Up to 100 LPW
- Glare control, specialty optics, trim options, and custom finishes available
- Microban® antimicrobial finish available on all exposed painted surfaces

DIMMING AND CONTROLS

- eldoLED flicker free 0-10V dimming to 0% and 1%
- eldoLED flicker free DALI dimming to 0% and 1%
- Lutron Hi-lume 0.1% Ecosystem
- Lutron athena wireless node
- Leading & trailing edge (Triac/ELV) dimming to 1%
- Casambi bluetooth dimming to 1.0%
- NLight control interface dimming to 0%

CONSTRUCTION

- Lexan™ (PC) highly resistant to impact and heat (240°F)
- Optimal material for wireless BLE signal connectivity
- Shatter proof acrylic bezel lens
- Electrocoated 16-gauge cold-rolled steel construction
- Accommodates ceiling thickness from 1/8" to 1-3/8"

LED

- 90 CRI: SDCM = 2-step MacAdam Ellipse, Lumen Maintenance: L₇₀ > 66,000 hrs
- 80 CRI: SDCM = 2-step MacAdam Ellipse, Lumen Maintenance: L₇₀ > 66,000 hrs

LISTING

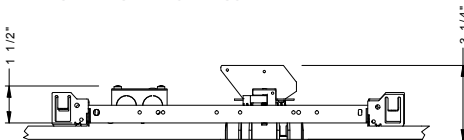
- ULus Listed to UL1598 & UL2108; cUL Listed to CSA C22.2 #250.0
- IP65 with lens - Suitable for wet locations with lens - Suitable for damp locations without lens
- Non-conductive, dead-front construction (shower approved)
- NSF/ANSI-2 with lens (Non-Food and Splash Zones)
- 5 Year Limited warranty

ELECTRICAL

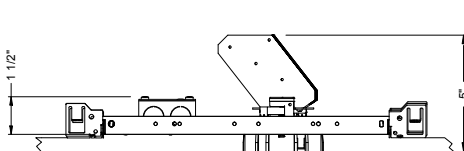
- 120V-277V, 120 only Triac / ELV
- Power factory ≥ 0.9
- 2kV driver input surge protection
- Remote emergency test switch
- 7W, 10W (T20 CEC) and 12W EM 90min battery
- Max. ambient installation temperature 95°F (35°C)

FIXTURE HEIGHT

LED LIGHT ENGINE: 10LM - 30LM



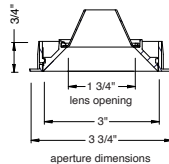
LED LIGHT ENGINE: 35LM - 40LM



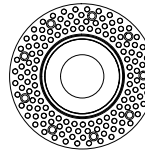
TRIMMED



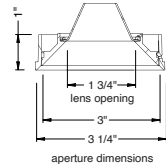
ceiling cutout
3-3/8" diameter
ceiling thickness
1/8" to 1-1/4"



TRIMLESS



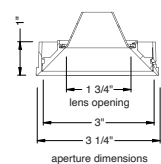
ceiling cutout
3-1/2" diameter
ceiling thickness
3/8" to 1-3/8"



MILLWORK



ceiling cutout
3-3/8" diameter
ceiling thickness
1/2" to 1-3/8"



alphabet

PROJECT INFORMATION		
JOB NAME		TYPE
ORDERING CODE		

15°- 55° BEAM ORDERING CODE

SERIES	NU3	NU3
TYPE	RD	round downlight
	RDT	round downlight trimless
	RDTMW	round downlight trimless millwork
LED	SW	standard white
DELIVERED LUMENS	10LM	880 lm
	15LM	1290 lm
	20LM	1700 lm
	25LM	2120 lm
	30LM	2540 lm
	35LM ¹	2890 lm
	40LM ¹	3300 lm
Standard Configuration: 3000K 80CRI NL Calculated Delivered Lumens = [Delivered Lumen Value] x [CCT Multiplier] x [Reflector Multiplier]		
CCT	27K	2700K
	30K	3000K
	35K	3500K
	40K	4000K
CRI	80	80 CRI
	90	90 CRI
OPTIC & LM MULTIPLIER SEE PAGE 4	15D ²	15 degrees (0.98)
	20D	20 degrees (1.00)
	25D	25 degrees (0.99)
	40D	40 degrees (0.99)
	55D	55 degrees (0.97)
ACCESSORY	HCL ³	honeycomb louver (0.95) Attached to bezel
	BEZEL LENS SEE PAGE 3	NL ⁴
CL		clear lens (0.97)
DL		diffused lens (0.85)
HET		high efficiency textured lens, similar to Solite™ (0.96)
SBL		smoothing beam lens (0.96)
E		elliptical beam spread (0.96)
TRIM COLOR SEE PAGE 3	BK	black
	WH	white
	MC	matte chrome
	BZ	bronze
	WT	wheat
	CC ⁵	custom color, consult factory for details
Antimicrobial finish, add AM to black, white or matte chrome i.e. BKAM. Not applicable to trimless option. Do not include in trimless ordering code.		
BEZEL COLOR SEE PAGE 3	BK	black (0.98)
	WH	white (1.00)
	MC	matte chrome (0.99)
	BZ	bronze (0.98)
	WT	wheat (0.99)
	CC ⁵	custom color, consult factory for details
Antimicrobial finish, add AM to black, white or matte chrome i.e. BKAM.		

15°- 55° BEAM ORDERING CODE

MOUNTING OPTIONS SEE PAGE 6, 7	NC	new construction with ceiling fitting plate
	IC ⁶	insulation contact housing
	ICAT ⁶	insulation contact/airtight housing
	CP ⁶	chicago plenum housing
	RET	retrofit, no ceiling fitting plate
VOLTAGE	I20	120V
	UNV	120V-277V
DIMMING	DIM10 ⁷	eldoLED flicker free 0-10V dimming to 1%
	DIM10Z	eldoLED flicker free 0-10V dimming to 0%
	DALI	eldoLED flicker free DALI 2 dimming to 1%
	DALIZ	eldoLED flicker free DALI 2 dimming to 0%
	LUTP ⁸	Lutron Hi-lume Premier Ecosystem dimming to 0.1%, Soft-on & Fade-to-Black
	ELV1 ⁹	leading & trailing edge (Triac/ELV) dimming to 1%
	NLT	nLight control interface: standard Cat-5/RJ45 connection (female), dim to off
ELECTRICAL OPTIONS	CAS	Casambi Bluetooth control with flicker free 1% dimming
	AWNRR ¹⁰	lutron athena wireless node
ELECTRICAL OPTIONS	EM7	emergency battery backup, 90 minutes at 7W to LED
	EM12	emergency battery backup, 90 minutes at 12W to LED
	EM10CA20	remote emergency battery backup, 90 minutes at 10W to LED, CA title 20

ADDITIONAL MOUNTING INFO

New Construction Bar Hangers (included)	Mounting Length: 14-3/4" to 26"
Extension Kit p/n: K20266 (ordered separately, 1 per fixture)	Extends a pair of Bar Hangers Total Mounting Length: 29" to 48"

YOUR COMPLETED ORDERING CODE

Follow the steps to specify your fixture, example:
NU3 - RD - SW - 20LM - 30K - 90 - 20D - NL - WH - WH - NC - UNV - DIM10 - EM7

NOTES

- 35LM/40LM available in ELV1/DIM10 dimming.
- 15D available in 10LM/15LM.
- HCL not available with lens.
- NL option does not meet requirement for AT/DF/WET/NSF listings.
- Custom set up fee plus minimum quantity required per color.
- IC/ICAT/CP not available in 15D/20LM or 35LM/40LM.
- DIM10 code uses ERP 1% driver for 35LM and 40LM.
- LUTP not available in 25LM/30LM/35LM/40LM.
- ELV1 (120V input) not available in 10LM.
- AWNRR reference page 9 for product specifications on Athena wireless node.

*EldoLED uses logarithmic dimming curve as standard. For linear dimming curve, add "LIN" after dimming code, i.e. DIM10LIN.

alphabet

PROJECT INFORMATION		
JOB NAME		TYPE
ORDERING CODE		

TRIM OPTIONS

TRIM/BEZEL COLORS



OPTICAL OPTIONS

- UGR calculation based on CIE 117-1995; room size: 4H X 8H, reflectance: 70/50/20;
- UGR calculation based on 15LM fixtures, unless otherwise noted.



CL
Clear Lens

OPTIC	BEAM ANGLE	UGR
15D	14.4	17
20D	22	16.8
25D	25	16.9
40D	39	17.7
55D	56	18.2



NL
No Lens

OPTIC	BEAM ANGLE	UGR
15D	14.4	17.2
20D	21	16.6
25D	25	16.8
40D	39	17.7
55D	55	18



HET
High Efficiency Textured Lens

OPTIC	BEAM ANGLE	UGR
15D	19.5	17.7
20D	24.4	18
25D	27	18.6
40D	38.5	19.1
55D	49.5	19.4



DL
Diffused Lens

OPTIC	BEAM ANGLE	UGR
20D	40	21.1
25D	45	21.5
40D	51.7	22.1
55D	59	22.9



ACCESSORY
Honeycomb Louver

OPTIC	BEAM ANGLE	UGR
15D	12	≤5
20D	16	≤5
25D	20	≤5
40D	32	≤5
55D	44	≤5

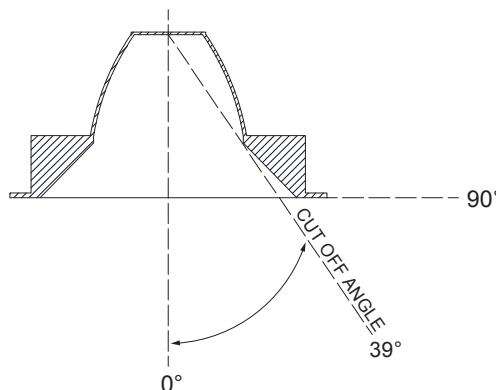
GLARE CONTROL

CUT-OFF ANGLE

Visual comfort is achieved with a lower cut-off angle due to improved glare control. The smaller the cut-off angle, the easier it is on the eye.

Alphabet downlights have been thoughtfully engineered to eliminate glare while still delivering functional illumination.

- Cutoff angle is 39° degrees;



alphabet

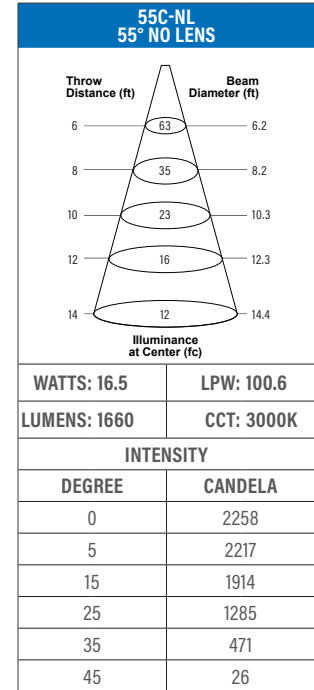
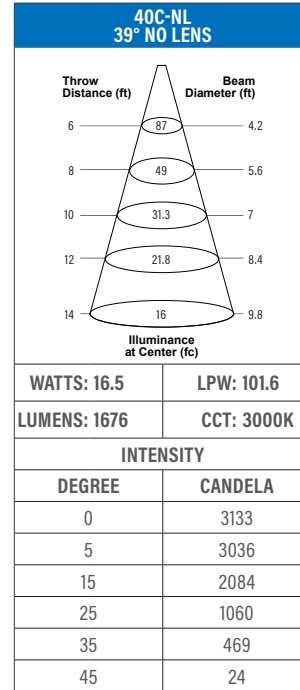
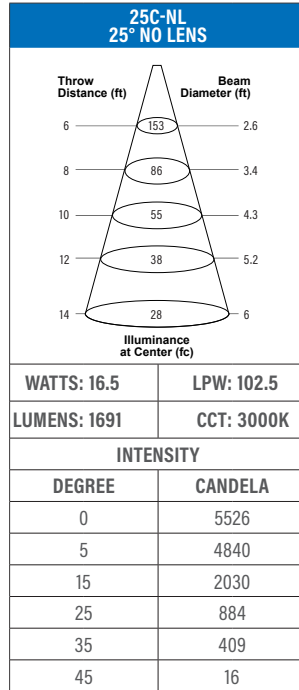
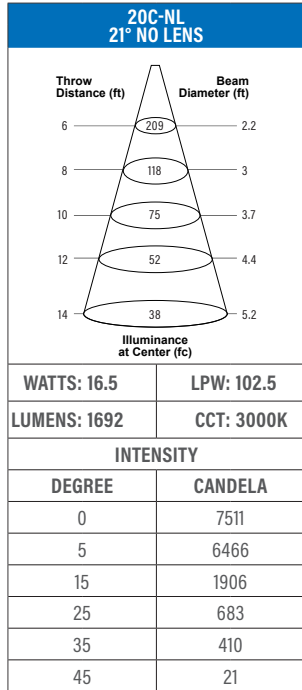
PROJECT INFORMATION		
JOB NAME		TYPE
ORDERING CODE		

PHOTOMETRIC DATA

20LM CCT MULTIPLIERS

	80 CRI	90CRI
2700K	0.96	0.81
3000K	1	0.84
3500K	1.01	0.85
4000K	1.03	0.87

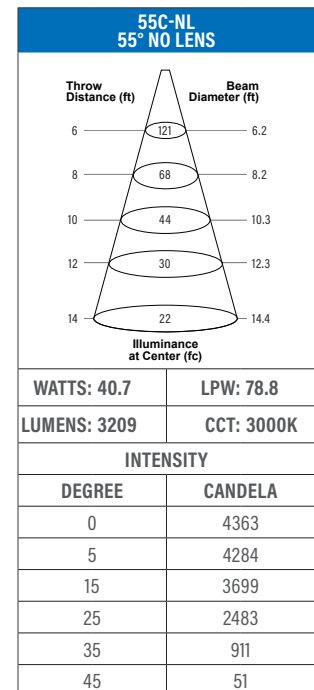
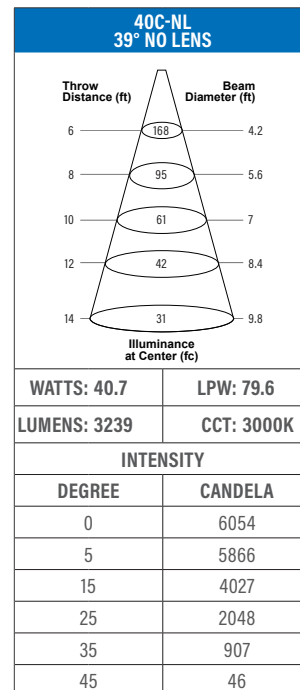
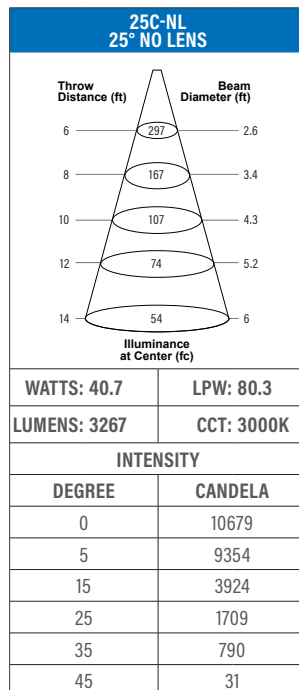
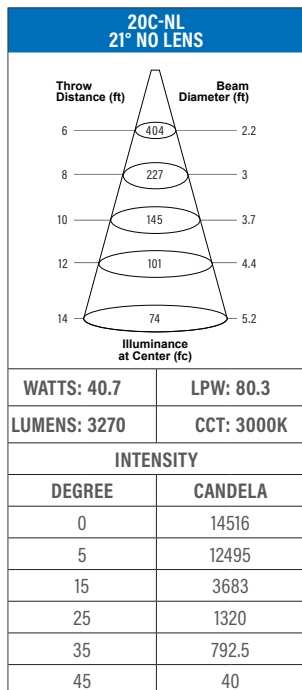
FC Formula = CBCP / Distance²



40LM CCT MULTIPLIERS

	80 CRI	90CRI
2700K	0.96	0.81
3000K	1	0.84
3500K	1.01	0.85
4000K	1.03	0.87

FC Formula = CBCP / Distance²



alphabet

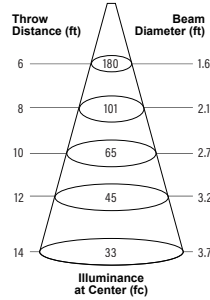
PROJECT INFORMATION		
JOB NAME		TYPE
ORDERING CODE		

PHOTOMETRIC DATA

10LM CCT MULTIPLIERS

	80 CRI	90CRI
2700K	0.96	0.81
3000K	1	0.84
3500K	1.01	0.85
4000K	1.03	0.87
FC Formula = CBCP / Distance ²		

15C-NL 15° NO LENS

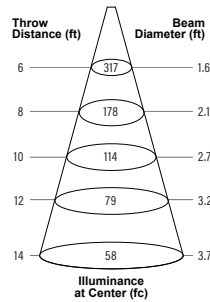


WATTS: 11.3	LPW: 76.6
LUMENS: 866	CCT: 3000K
INTENSITY	
DEGREE	CANDELA
0	6485
5	4581
15	630
25	321
35	248
45	3

20LM CCT MULTIPLIERS

	80 CRI	90CRI
2700K	0.96	0.81
3000K	1	0.84
3500K	1.01	0.85
4000K	1.03	0.87
FC Formula = CBCP / Distance ²		

15C-NL 15° NO LENS



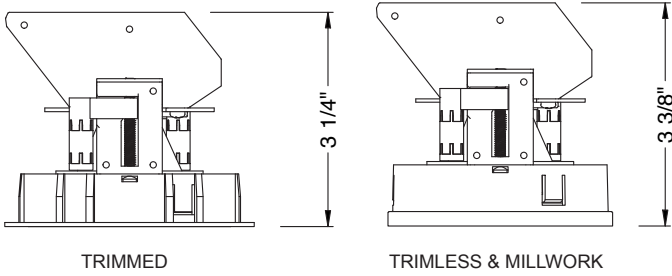
WATTS: 31	LPW: 49.1
LUMENS: 1523	CCT: 3000K
INTENSITY	
DEGREE	CANDELA
0	11404
5	8056
15	1108
25	565
35	436
45	4

PROJECT INFORMATION		
JOB NAME	TYPE	
ORDERING CODE		

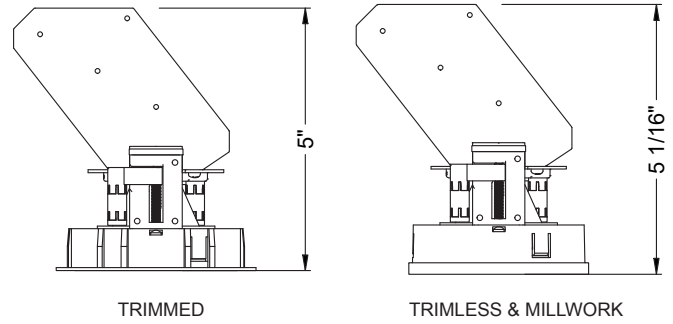
MOUNTING OPTIONS

FIXTURE HEIGHT

10LM - 30LM CONFIGURATION

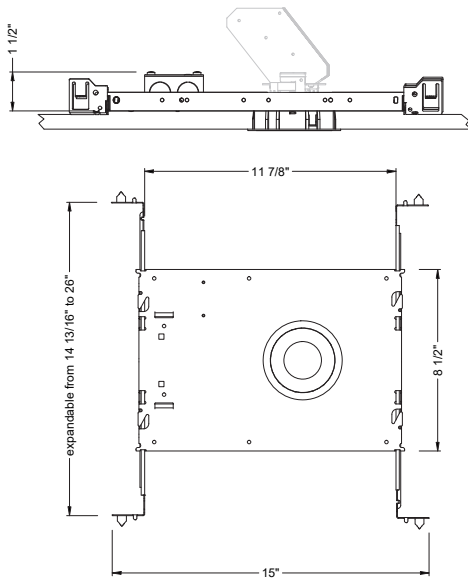


35LM - 40LM CONFIGURATION

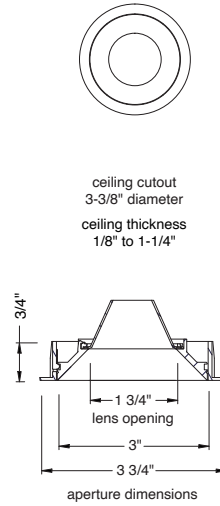


NC - NEW CONSTRUCTION

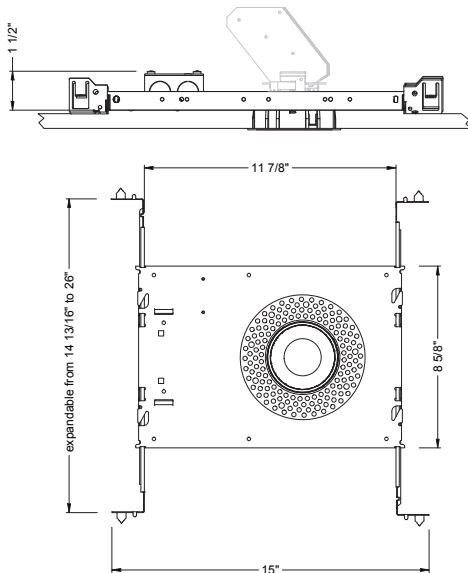
TRIM



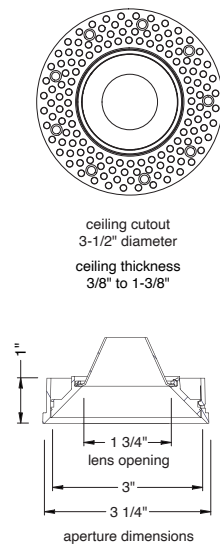
TRIM



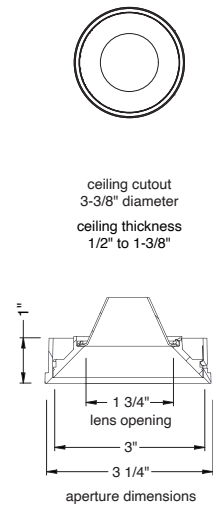
TRIMLESS



TRIMLESS



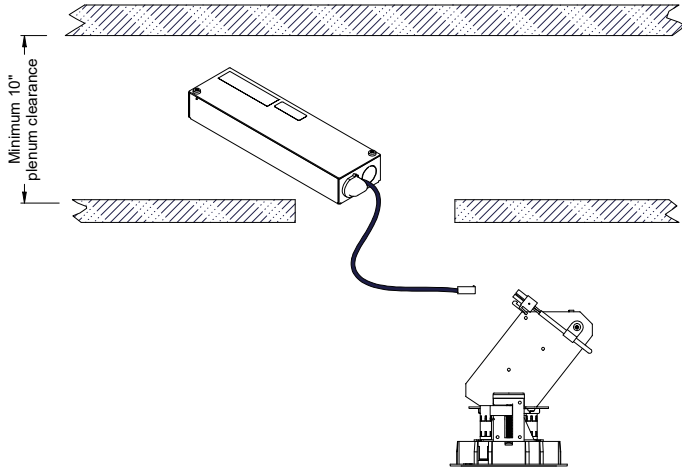
TRIMLESS/MILLWORK



PROJECT INFORMATION		
JOB NAME	TYPE	
ORDERING CODE		

MOUNTING OPTIONS (CONTINUED)

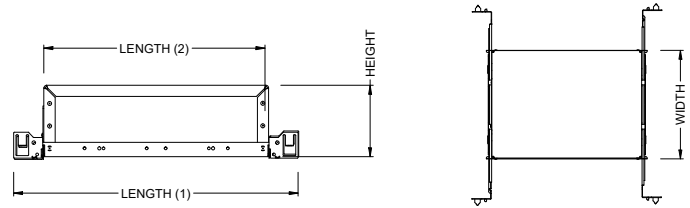
RET - RETRO TRIM/TRIMLESS



RATINGS / CERTIFICATIONS	NC	RET	IC	ICAT	CP
TYPE NON-IC	✓	✓			
TYPE IC			✓	✓	
CHICAGO PLENUM (CCEA)					✓
SUITABLE FOR AIR HANDLING PLENUMS	✓	✓	✓	✓	✓
REDUCED AIRFLOW (WITH LENS) ASTM E283	✓	✓	✓	✓	✓

CEILING THICKNESS	
FIXTURE TYPE	MOUNTING TYPE
	STANDARD CEILING THICKNESS
TRIM	1/8" to 1-1/4"
TRIMLESS	3/8" to 1-3/8"
MILLWORK (TRIMLESS)	1/2" to 1-3/8"

IC - INSULATION CONTACT HOUSING ICAT - INSULATION CONTACT / AIR TIGHT CP - CHICAGO PLENUM



BOX SIZE	L 1	L 2	W	H
A	15 - 7/16"	11 - 3/4"	8 - 1/2"	6 - 3/4"

BOX TYPE / LUMEN OUTPUT - STANDARD BEAMS (20° - 60°)			
LUMEN OUTPUT	BOX - A		
	IC	ICAT	CP
10LM	✓	✓	✓
15LM	✓	✓	✓
20LM	✓	✓	✓
25LM	✓	✓	✓
30LM			
35LM			
40LM			

BOX TYPE / LUMEN OUTPUT - STANDARD BEAMS (15°)			
LUMEN OUTPUT	BOX - A		
	IC	ICAT	CP
10LM	✓	✓	✓
15LM	✓	✓	✓
20LM			

PROJECT INFORMATION		
JOB NAME		TYPE
ORDERING CODE		

BATTERY OPTIONS

EMERGENCY BATTERY

IOTA's ILB Battery Backups are UL Listed LED emergency drivers that allow the same LED fixture to be used for both normal and emergency operation. In the event of a power failure, the ILB switches to the emergency mode and operates the existing fixture for 90 minutes. The unit contains a battery, charger, and converter circuit in a single can. The Constant Power design of the ILB maintains the output wattage to the LED array even as the system voltage diminishes. UL 924 Listed for U.S. and Canada. UL 1310 Certified, Output Class 2 Compliant. Includes single-piece TBTS test switch and charge indicator accessory kit. For use with switched and unswitched electric fixtures, and includes Two-wire universal AC input. Meets or exceeds all National Electric Code and Life Safety Code Emergency Lighting Requirements. Rated for use in Plenum, Damp Location, Recessed Type IC, and Enclosed and Gasketed Luminares.

REMOTE TEST SWITCH

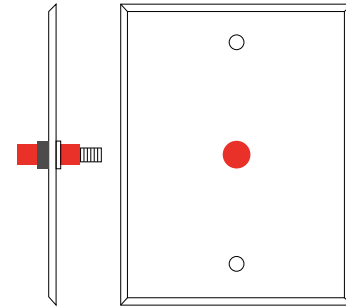
The Remote Test Switch may be mounted adjacent to the LED Fixture by others.

EMERGENCY BATTERY ACCESS

Above ceiling access is required for service. An access panel in the ceiling (or other form of access) adjacent to the installation location of the Emergency Battery is required.

REMOTE LOCATION

Maximum remote mounting distance of the emergency driver shall be 50 feet. Remote location wiring provided by others. Follow all Local and National Electric/ Building Codes.



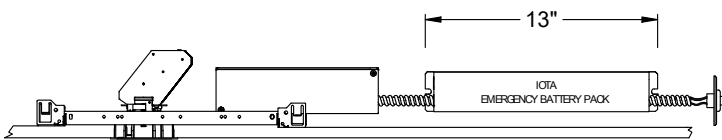
Remote Test Switch

EM MODE OUTPUT (DELIVERED LUMENS)

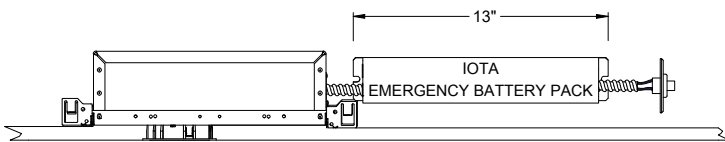
LUMEN ORDERING CODE	EM7	EM10	EM12
ALL OPTIONS (10LM TO 30LM)	684LM	992LM	1190LM

Notes: Based on 30K, 80CRI

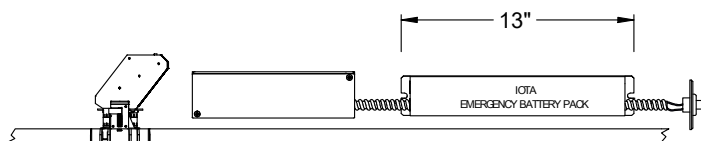
NC - NEW CONSTRUCTION WITH EM BATTERY (REMOTE TEST SWITCH)



IC / ICAT / CP - INSULATION CONTACT HOUSING WITH EM BATTERY (REMOTE TEST SWITCH)

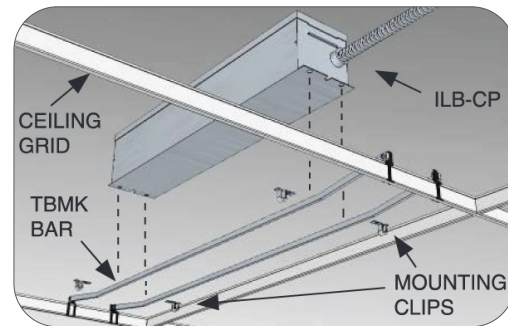


RET - RETROFIT WITH EM BATTERY (REMOTE TEST SWITCH)



Accessory

76066 Optional T-Grid Mounting Kit¹



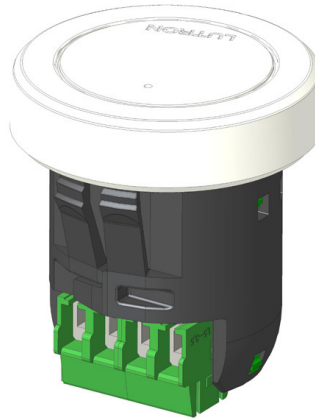
1. Can be used with any of the Emergency Battery Backups. Must be ordered as a separate line item.

PROJECT INFORMATION		
JOB NAME	TYPE	
ORDERING CODE		

AWNDR OPTIONS

Athena Wireless Node

The Athena wireless node is a radio frequency (RF) device that enables simple, digital control of individual light fixtures in an Athena control system.



Athena Wireless Node RF

AWNDR

Plenum rated and can be installed above the ceiling for wireless control of a fixture without any impact on fixture aesthetics.

FEATURES

- Enables individual, wireless control of each fixture in an Athena control system. Accommodates zone and control changes without rewiring.
- Installed at factory – no wiring required on-site. Fixture is ready to communicate wirelessly once power is connected.
- All drivers on the link are controlled as a single zone.

REGULATORY APPROVALS

- cULus Listed (UL916)
- Complies with requirements for use in other spaces used for environmental air (plenums) per NEC® 2014 300.22(C)(3).
- FCC compliant with the limits for a Class B digital device.
- IC (Industry Canada)
- ANSI C137.1 0-10 V- Electronic Off

POWER / LOAD

- IEC SELV/NEC® Class 2
- 1 Watt

ENVIRONMENTAL

- Ambient operating temperature (immediate vicinity of Athena wireless node): **32 °F to 131 °F** (0 °C to 55 °C), 0% to 90% humidity.

BATTERY OPTIONS

- For EM options please consult factory.

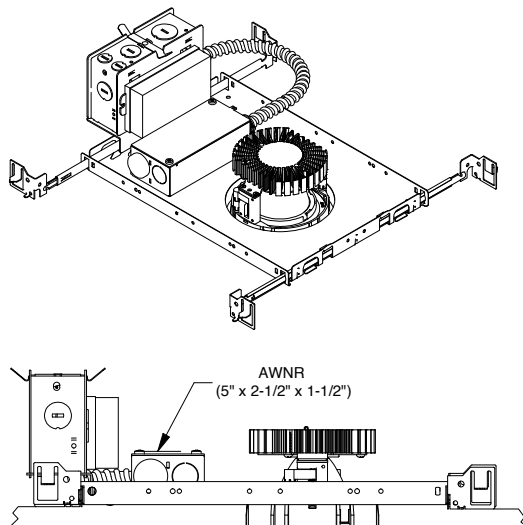
Note: Default behavior prior to programming

- Light level 100%
- Athena wireless node performs an unprogrammed startup sequence on every power up until the device is added to an Athena system.
- Each Athena wireless node should be installed within 25 ft (7.62 m) of two or more Athena wireless nodes or other Clear Connect – Type X devices.
- For Chicago plenum installations, the Athena wireless node may not be installed in the plenum space. It must be installed in the occupied space.

For servicing the driver/j-box, access above ceiling is required. (NC Mounting)

IC/ICAT/CP not available in AWNR.

NC - NEW CONSTRUCTION



RET - RETRO FIT

