

PROJECT INFORMATION		
JOB NAME		TYPE
ORDERING CODE		

## NU3

### 3" Round Downlight LiteOptics



AT  
airtight

DF  
dead-front



plenum rated



wet rated



Trim

40° BEAM (Note: Specifications are subject to change without notice)		
14mm COB PERFORMANCE DATA		
LED LIGHT ENGINE	NOMINAL DELIVERED LUMENS	SYSTEM WATTAGE
10LM	580LM @30K/80CRI	9W
15LM	840LM @30K/80CRI	13W
20LM	1100LM @30K/80CRI	17W
25LM	1390LM @30K/80CRI	22W
30LM	1670LM @30K/80CRI	28W
35LM	1880LM @30K/80CRI	34W
40LM	2130LM @30K/80CRI	41W
10LM	490LM @30K/90CRI	9W
15LM	720LM @30K/90CRI	13W
20LM	940LM @30K/90CRI	17W
25LM	1180LM @30K/90CRI	22W
30LM	1420LM @30K/90CRI	28W
35LM	1600LM @30K/90CRI	34W
40LM	1810LM @30K/90CRI	41W
Notes	Delivered lumens based on CQR-S40 (see page 2)	



eldoLED  
your product | our drive

CASAMBI

#### FEATURES

- Thermally optimized for longevity
- 40° optical beam
- Multiple mounting, glare control options, trims, and finishes available

#### DIMMING AND CONTROLS

- eldoLED flicker free 0-10V dimming to 0% and 1%
- eldoLED flicker free DALI dimming to 0% and 1%
- Lutron Hi-lume Ecosystem dimming to 1%, Soft-on & Fade-to-Black
- Lutron Hi-lume Premier Ecosystem dimming to 0.1%, Soft-on & Fade-to-Black
- Leading & trailing edge (Triac/ELV) dimming to 1%
- Casambi bluetooth dimming to 1%

#### CONSTRUCTION

- Lexan™ (PC) highly resistant to impact and heat (240°F)
- Optimal material for wireless BLE signal connectivity
- Shatter proof acrylic bezel lens
- Electrocoated 16-gauge cold-rolled steel construction
- Accommodates ceiling thickness from 1/8" to 1-3/4"

#### LED

- 90 CRI: SDCM = 2-step MacAdam Ellipse, Lumen Maintenance: L<sub>70</sub> > 66,000 hrs
- 80 CRI: SDCM = 2-step MacAdam Ellipse, Lumen Maintenance: L<sub>70</sub> > 66,000 hrs

#### LISTING

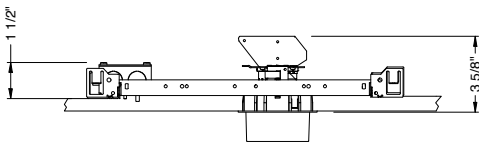
- ULus Listed to UL1598 & UL2108; cUL Listed to CSA C22.2 #250.0
- IP65 with lens - Suitable for wet locations with lens - Suitable for damp locations without lens
- Non-conductive, dead-front construction (shower approved)
- NSF/ANSI-2 with lens (Non-Food and Splash Zones)
- 5 Year Limited warranty

#### ELECTRICAL

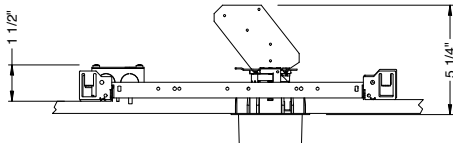
- 120V-277V, 120 only Triac / ELV
- Power factor ≥ 0.9
- 2kV driver input surge protection
- Remote emergency test switch
- 7W, 10W (T20 CEC) and 12W EM 90min battery
- Max. ambient installation temperature 95°F (35°C)

#### FIXTURE HEIGHT

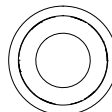
##### LOW LUMENS 10LM - 30LM



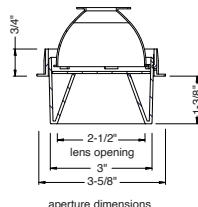
##### HIGH LUMENS 35LM - 40LM



#### TRIMMED

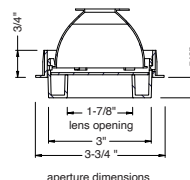


ceiling cutout  
3-1/2" diameter  
ceiling thickness  
3/8" to 1-3/4"



aperture dimensions

DPR



aperture dimensions

CQR

# alphabet

PROJECT INFORMATION		
JOB NAME		TYPE
ORDERING CODE		

## 15°- 60° BEAM ORDERING CODE

<b>SERIES</b>	<b>NU3</b>	NU3																											
<b>TYPE</b>	<b>RD</b>	round downlight																											
<b>LED</b>	<b>SW</b>	standard white																											
<b>DELIVERED LUMENS</b>	<b>10LM</b>	580 lm																											
	<b>15LM</b>	840 lm																											
	<b>20LM</b>	1100 lm																											
	<b>25LM</b>	1390 lm																											
	<b>30LM</b>	1670 lm																											
	<b>35LM</b>	1880 lm																											
	<b>40LM</b>	2130 lm																											
Standard Configuration: 3000K 80CRI QQR-S40 Calculated Delivered Lumens = [Delivered Lumen Value] x [CCT Multiplier] x [Reflector Multiplier]																													
<b>CCT</b>	<b>27K</b>	2700K																											
	<b>30K</b>	3000K																											
	<b>35K</b>	3500K																											
	<b>40K</b>	4000K																											
		<table border="1"> <thead> <tr> <th>CCT</th> <th colspan="2">2700K</th> <th colspan="2">3000K</th> <th colspan="2">3500K</th> <th colspan="2">4000K</th> </tr> <tr> <th>CRI</th> <th>80+</th> <th>90+</th> <th>80+</th> <th>90+</th> <th>80+</th> <th>90+</th> <th>80+</th> <th>90+</th> </tr> </thead> <tbody> <tr> <td>CCT MULTIPLIER FOR LUMEN OUTPUT</td> <td>0.96</td> <td>0.81</td> <td>1.00</td> <td>0.85</td> <td>1.03</td> <td>0.88</td> <td>1.06</td> <td>0.91</td> </tr> </tbody> </table>	CCT	2700K		3000K		3500K		4000K		CRI	80+	90+	80+	90+	80+	90+	80+	90+	CCT MULTIPLIER FOR LUMEN OUTPUT	0.96	0.81	1.00	0.85	1.03	0.88	1.06	0.91
CCT	2700K		3000K		3500K		4000K																						
CRI	80+	90+	80+	90+	80+	90+	80+	90+																					
CCT MULTIPLIER FOR LUMEN OUTPUT	0.96	0.81	1.00	0.85	1.03	0.88	1.06	0.91																					
<b>CRI</b>	<b>80</b>	80 CRI																											
	<b>90</b>	90 CRI																											
<b>OPTIC &amp; LM MULTIPLIER</b> SEE PAGE 3	<b>CQR-S40</b>	40° CIRQUE RING with clear lens	(1.00)																										
	<b>CQR-D40</b>	40° CIRQUE RING with diffused lens	(0.93)																										
	<b>DPR-S40</b>	40° DROP RING with clear lens	(0.98)																										
	<b>DPR-D40</b>	40° DROP RING with diffused lens	(0.94)																										
<b>TRIM COLOR</b>	<b>BK</b>	black																											
	<b>WH</b>	white																											
	<b>MC</b>	matte chrome																											
	<b>BZ</b>	bronze																											
	<b>WT</b>	wheat																											

## 15°- 60° BEAM ORDERING CODE

<b>MOUNTING OPTIONS</b> SEE PAGE 4, 5	<b>NC</b>	new construction with ceiling fitting plate
	<b>IC<sup>1</sup></b>	insulation contact housing
	<b>ICAT<sup>1</sup></b>	insulation contact/airtight housing
	<b>CP<sup>1</sup></b>	chicago plenum housing
	<b>RET</b>	retrofit, no ceiling fitting plate
<b>VOLTAGE</b>	<b>120</b>	120V
	<b>UNV</b>	120V-277V
<b>DIMMING</b>	<b>DIM10</b>	eldoLED flicker free 0-10V dimming to 1%
	<b>DIM10Z</b>	eldoLED flicker free 0-10V dimming to 0%
	<b>DALI</b>	eldoLED flicker free DALI dimming to 1%
	<b>DALIZ</b>	eldoLED flicker free DALI dimming to 0%
	<b>LUT<sup>2</sup></b>	Lutron Hi-lume Ecosystem dimming to 1%, Soft-on & Fade-to-Black
	<b>LUTP<sup>2</sup></b>	Lutron Hi-lume Premier Ecosystem dimming to 0.1%, Soft-on & Fade-to-Black
<b>ELECTRICAL OPTIONS</b>	<b>ELV1<sup>3</sup></b>	leading & trailing edge (Triac/ELV) dimming to 1%
	<b>EM7</b>	emergency battery backup, 90 minutes at 7W to LED
	<b>EM12<sup>4</sup></b>	emergency battery backup, 90 minutes at 12W to LED
	<b>EM10CA20</b>	emergency battery backup, 90 minutes at 10W to LED, CA title 20

## ADDITIONAL MOUNTING INFO

New Construction Bar Hangers (included)	Mounting Length: 14-3/4" to 26"
Extension Kit p/n: K20266 (ordered separately, 1 per fixture)	Extends a pair of Bar Hangers Total Mounting Length: 29" to 48"

## YOUR COMPLETED ORDERING CODE

Follow the steps to specify your fixture, example:
<b>NU3 - RD - SW - 15LM - 35K - 90 - DPR -S40 - WH - NC - UNV - DIM10</b>

## NOTES

1. IC/ICAT/CP not available in 35LM/40LM.
2. LUT/LUTP not available in 25LM/30LM/35LM/40LM.
3. ELV1 (120V) not available in 10LM.
4. EM12 not available in 10LM.

\*EldoLED uses logarithmic dimming curve as standard. For linear dimming curve, add "LIN" after dimming code, i.e. DIM10LIN.

PROJECT INFORMATION		
JOB NAME		TYPE
ORDERING CODE		

## PHOTOMETRIC DATA

20LM CCT MULTIPLIERS		
	80 CRI	90CRI
2700K	0.96	0.81
3000K	1	0.84
3500K	1.01	0.85
4000K	1.03	0.87
FC Formula = CBCP / Distance <sup>2</sup>		

**CQR-D40**  
46° CIRQUE RING WITH DIFFUSED LENS

Throw Distance (ft)	Beam Diameter (ft)
6	23
8	13
10	8
12	6
14	4

WATTS: 16.5 | LPW: 62.1  
LUMENS: 1024 | CCT: 3000K

INTENSITY	
DEGREE	CANDELA
0	838
5	814
15	634
25	371
35	200
45	147

**CQR-S40**  
34° CIRQUE RING WITH CLEAR LENS

Throw Distance (ft)	Beam Diameter (ft)
6	48
8	27
10	17
12	12
14	9

WATTS: 16.5 | LPW: 66.8  
LUMENS: 1102 | CCT: 3000K

INTENSITY	
DEGREE	CANDELA
0	1442
5	1705
15	1064
25	233
35	143
45	123

**DPR-D40**  
47° DROP RING WITH DIFFUSED LENS

Throw Distance (ft)	Beam Diameter (ft)
6	21
8	12
10	8
12	5
14	4

WATTS: 16.5 | LPW: 62.7  
LUMENS: 1035 | CCT: 3000K

INTENSITY	
DEGREE	CANDELA
0	761
5	739
15	591
25	336
35	155
45	123

**DPR-S40**  
40° DROP RING WITH CLEAR LENS

Throw Distance (ft)	Beam Diameter (ft)
6	36
8	20
10	13
12	9
14	7

WATTS: 16.5 | LPW: 65.7  
LUMENS: 1084 | CCT: 3000K

INTENSITY	
DEGREE	CANDELA
0	1158
5	1275
15	940
25	179
35	116
45	111

40LM CCT MULTIPLIERS		
	80 CRI	90CRI
2700K	0.96	0.81
3000K	1	0.84
3500K	1.01	0.85
4000K	1.03	0.87
FC Formula = CBCP / Distance <sup>2</sup>		

**CQR-D40**  
46° CIRQUE RING WITH DIFFUSED LENS

Throw Distance (ft)	Beam Diameter (ft)
6	45
8	25
10	16
12	11
14	8

WATTS: 41 | LPW: 48.3  
LUMENS: 1979 | CCT: 3000K

INTENSITY	
DEGREE	CANDELA
0	1620
5	1572
15	1225
25	717
35	387
45	284

**CQR-S40**  
34° CIRQUE RING WITH CLEAR LENS

Throw Distance (ft)	Beam Diameter (ft)
6	93
8	53
10	34
12	23
14	17

WATTS: 41 | LPW: 51.9  
LUMENS: 2130 | CCT: 3000K

INTENSITY	
DEGREE	CANDELA
0	2787
5	3295
15	2056
25	450
35	277
45	239

**DPR-D40**  
47° DROP RING WITH DIFFUSED LENS

Throw Distance (ft)	Beam Diameter (ft)
6	41
8	23
10	15
12	10
14	8

WATTS: 41 | LPW: 48.8  
LUMENS: 2000 | CCT: 3000K

INTENSITY	
DEGREE	CANDELA
0	1471
5	1429
15	1143
25	649
35	300
45	238

**DPR-S40**  
40° DROP RING WITH CLEAR LENS

Throw Distance (ft)	Beam Diameter (ft)
6	69
8	39
10	25
12	17
14	13

WATTS: 41 | LPW: 51.1  
LUMENS: 2095 | CCT: 3000K

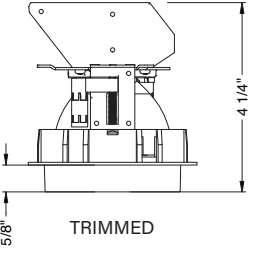
INTENSITY	
DEGREE	CANDELA
0	2238
5	2463
15	1817
25	346
35	223
45	215

PROJECT INFORMATION		
JOB NAME		TYPE
ORDERING CODE		

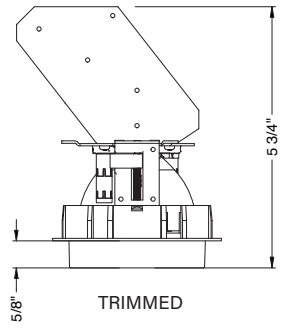
## MOUNTING OPTIONS

### FIXTURE HEIGHT

10LM - 30 LM LOW LUMENS

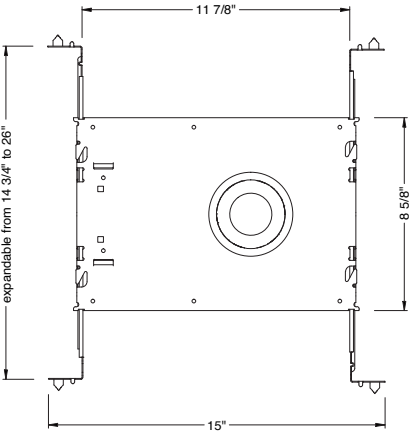
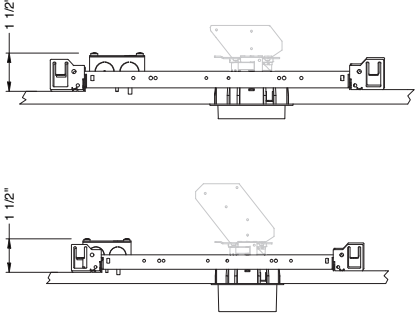


35LM - 40 LM HIGH LUMENS

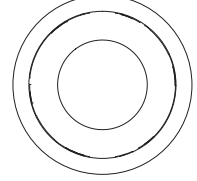


### NC - NEW CONSTRUCTION

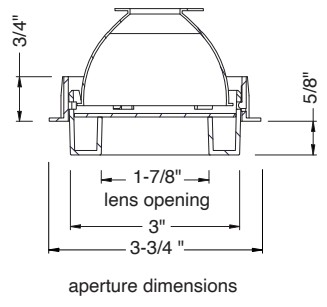
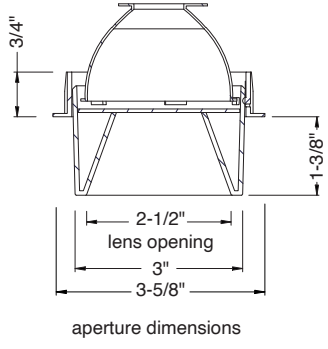
TRIM



TRIMMED (STANDARD)



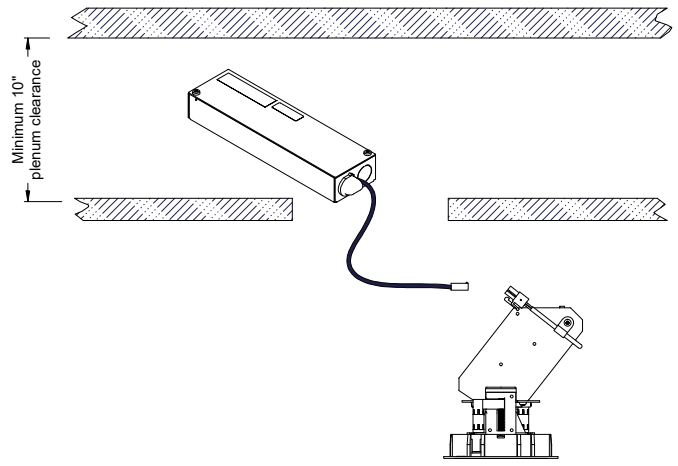
ceiling cutout  
3-1/2" diameter  
ceiling thickness  
3/8" to 1-3/4"



PROJECT INFORMATION		
JOB NAME		TYPE
ORDERING CODE		

## MOUNTING OPTIONS

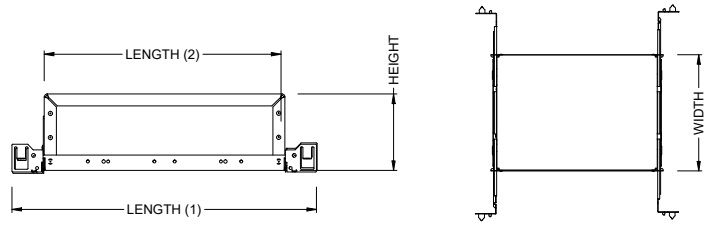
### RET - RETRO TRIM/TRIMLESS



RATINGS / CERTIFICATIONS	NC	RET	IC	ICAT	CP
TYPE NON-IC	✓	✓			
TYPE IC			✓	✓	
CHICAGO PLENUM (CCEA)					✓
SUITABLE FOR AIR HANDLING PLENUM	✓	✓	✓	✓	✓
REDUCED AIRFLOW (WITH LENS) ASTM E283	✓	✓	✓	✓	✓

CEILING THICKNESS	
FIXTURE TYPE	MOUNTING TYPE
	STANDARD CEILING THICKNESS
TRIM	1/8" to 1-1/4"

### IC - INSULATION CONTACT HOUSING ICAT - INSULATION CONTACT / AIR TIGHT



BOX SIZE	L 1	L 2	W	H
A	15 - 7/16"	11 - 3/4"	8 - 1/2"	6 - 3/4"

BOX TYPE / LUMEN OUTPUT - STANDARD BEAMS (20° - 60)			
LUMEN OUTPUT	BOX - A		
	IC	ICAT	CP
10LM	✓	✓	✓
15LM	✓	✓	✓
20LM	✓	✓	✓
25LM	✓	✓	✓
30LM	✓	✓	✓
35LM			
40LM			

PROJECT INFORMATION		
JOB NAME		TYPE
ORDERING CODE		

## BATTERY OPTIONS

### EMERGENCY BATTERY

IOTA's ILB Battery Backups are UL Listed LED emergency drivers that allow the same LED fixture to be used for both normal and emergency operation. In the event of a power failure, the ILB switches to the emergency mode and operates the existing fixture for 90 minutes. The unit contains a battery, charger, and converter circuit in a single can. The Constant Power design of the ILB maintains the output wattage to the LED array even as the system voltage diminishes. UL 924 Listed for U.S. and Canada. UL 1310 Certified, Output Class 2 Compliant. Includes single-piece TBTS test switch and charge indicator accessory kit. For use with switched and unswitched fixtures, and includes Two-wire universal AC input. Meets or exceeds all National Electric Code and Life Safety Code Emergency Lighting Requirements. Rated for use in Plenum, Damp Location, Recessed Type IC, and Enclosed and Gasketed Luminaires.

### REMOTE TEST SWITCH

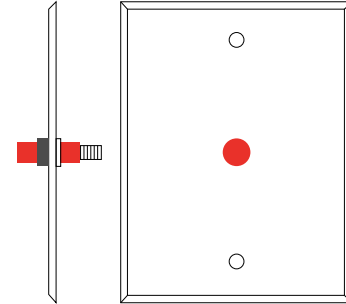
The Remote Test Switch may be mounted adjacent to the LED Fixture by others.

### EMERGENCY BATTERY ACCESS

Above ceiling access is required for service. An access panel in the ceiling (or other form of access) adjacent to the installation location of the Emergency Battery is required.

### REMOTE LOCATION

Maximum remote mounting distance of the emergency driver shall be 50 feet. Remote location wiring provided by others. Follow all Local and National Electric/Building Codes.



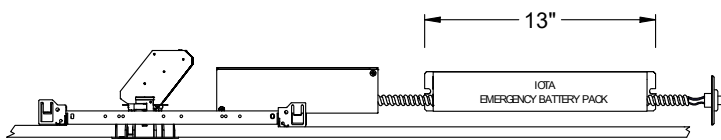
Remote Test Switch

### EM MODE OUTPUT (DELIVERED LUMENS)

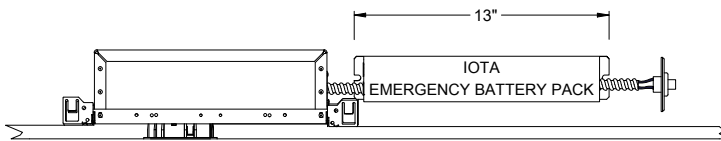
LUMEN ORDERING CODE	EM7	EM10	EM12
ALL OPTIONS (10LM TO 40LM)	290LM	460LM	560LM

Notes: Based on 30K, 80CRI

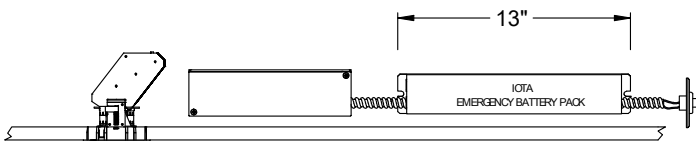
### NC - NEW CONSTRUCTION WITH EM BATTERY (REMOTE TEST SWITCH)



### IC / ICAT - INSULATION CONTACT HOUSING WITH EM BATTERY (REMOTE TEST SWITCH)

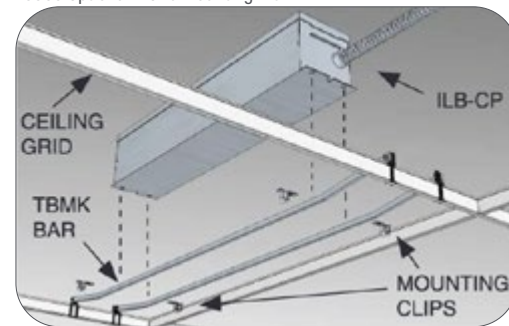


### RET - RETROFIT WITH EM BATTERY (REMOTE TEST SWITCH)



### Accessory

#### 76066 Optional T-Grid Mounting Kit<sup>1</sup>



1. Can be used with any of the Emergency Battery Backups. Must be ordered as a separate line item.