

NU3

3" Round Downlight LiteOptics XICATO

XICATO



eldoLED
your product | our drive



NU3RD Optic CQR



NU3RD Optic DPR

DESCRIPTION

The NU3RD LiteOptics 3" recessed downlight by ALPHABET offers multiple cutting edge LED technologies, premium performance, thoughtful construction and pleasing aesthetics. Offered standard with premium dimming using EldoLED 1% flicker free drivers 120V-277V universal voltage. A minimalist look is achieved with an ultrathin 1/16" trim that is only 5/16" wide. Complimented by premium, UV stabilized, evenly diffused PMMA optic. Several beam angles and LiteOptics available, plus an optional high-efficiency BrightView diffused lens for smooth light distribution and obscured LED image.

HOUSING

Electrocoated 16-gauge cold-rolled steel provides enhanced structural reinforcement and rust prevention. Superior, UL-certified, injection-molded commercial-grade Lexan™ (PC) is used for the frame and regressed bezel trim. Lexan provides unmatched durability and impact resistance, and is tested for UV resistance and water exposure in outdoor applications. The thermally-advanced, anodized heat sink uses 6063 aluminum alloy. Wet location rated is offered standard. A 90-minute constant-power IOTA emergency battery backup is available.

MOUNTING

An advanced mounting system allows for quick and secure installation with LED and driver serviceability from below the ceiling. The LED assembly uses die-cast aluminum mounting clamp grips (MCG) that swing out to tighten onto variable ceiling thicknesses. Integrated rubber feet on each MCG provide a non-slip vibration-resistant installation. The hidden MCG system is accessible from below ceiling by removing the snap-in lens/ bezel assembly with either the included suction cup or a screwdriver blade. Integrated bar hangers feature integral toothed nails, T-bar mounting slots with locking holes, tabs for joist positioning. Retrofit mounting option allows for installation from below ceiling by use of compact driver box. No risk damaging LED or bezel assembly during installation, these are installed during last steps. Fixture and driver are easily removed for servicing after install without damaging drywall.

MOUNTING DIMENSIONS	CEILING THICKNESS	CEILING CUTOUT
Trim	1/8" to 1-1/4"	3-3/8" diameter

New Construction Bar Hangers (included)	Mounting Length: 14-3/4" to 26"
Extension Kit p/n: K20266 (ordered separately, 1 per fixture)	Extends a pair of Bar Hangers Total Mounting Length: 29" to 48"

LISTINGS

- ETLus Listed to UL1598, cETL Listed to CSA C22.2 #250.0
- IP65 with lens - Suitable for wet locations with lens - Suitable for damp locations without lens
- Non-conductive, Lexan dead-front construction
- Made in the USA - meets the requirements of the Buy American provision within the ARRA

RATINGS / CERTIFICATIONS	NC	RET	IC	ICAT	CP
Type non-IC	✓	✓			
Type IC			✓	✓	✓
Chicago Plenum (CCEA)					✓
Suitable for air handling plenums				✓	✓
Reduced airflow (with lens) ASTM E283	✓	✓	✓	✓	✓

LED INFO

- SDCM = 1X2 MacAdam Ellipse, Duv +/- 0.001, Lumen Maintenance: L₉₀ > 55,000 hrs

PROJECT INFORMATION		
JOB NAME		TYPE
ORDERING CODE		

ORDERING CODE



LM-79 Qship

SERIES	NU3	
TYPE	RD	round downlight
LED	XTM19	XICATO XTM 19mm
DELIVERED LUMENS	07LM	530 lm
	10LM	680 lm
	13LM	1040 lm
	20LM	1290 lm
	27LM ²	1750 lm
CCT	27K	2700K
	30K	3000K
	35K	3500K
	40K	4000K
CRI	83	83 CRI
	90	90 CRI
	98	98 CRI
LITEOPTIC	CQR-S15	15° CIRQUE RING with clear lens
	CQR-S30	30° CIRQUE RING with clear lens
	CQR-D40	40° CIRQUE RING with diffused lens
	DPR-S20	20° DROP RING with clear lens
	DPR-D35	35° DROP RING with clear lens
	DPR-HE50	50° DROP RING with diffused lens
VOLTAGE	120 UNV	120V 120V-277V
	DIMMING	eldoLED flicker free 0-10V dimming to 1% eldoLED flicker free 0-10V dimming to 0% eldoLED flicker free DALI dimming to 1% eldoLED flicker free DALI dimming to 0% Lutron Hi-lume Ecosystem dimming to 1%, Soft-on & Fade-to-Black Lutron Hi-lume Premier Ecosystem dimming to 0.1%, Soft-on & Fade-to-Black LUT ⁶ LUTP ⁶ ELV ⁵ leading & trailing edge dimming (Triac/ELV)
MOUNTING OPTIONS	NC	new construction with ceiling fitting plate
	IC ¹	insulation contact housing
	ICAT ¹	insulation contact/airtight housing
	CP ¹	chicago plenum housing
	RET	retrofit, no ceiling fitting plate
TRIM COLOR	BK	black
	WH	white
	MC	matte chrome
	BZ	bronze
	WT	wheat
ELECTRICAL OPTIONS	EM7	emergency battery backup, 90 minutes at 7W to LED
	EM12 ³	emergency battery backup, 90 minutes at 12W to LED

ORDERING CODE

Follow the steps to specify your fixture, example:

NU3 - RD - XTM19 - 13LM - 35K - 98 - DPR - HE50 - 120 - DIM10 - NC - WH - EM7

XTM19 (LED)	POWER		
	DELIVERED LM	W (83 CRI)	W (90 CRI)
530	8	10	11
680	11	14	15
1040	14	19	21
1290	20	25	27
1750	29	N/A	N/A

Power Factor ≥ 0.9

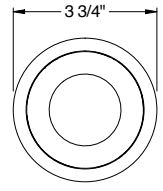
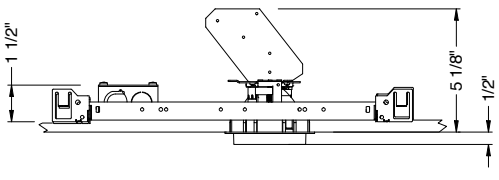
NOTES

1. IC/ICAT/CP not available for 27LM in 83CRI, 90CRI and 98CRI. Not available for 20LM in 98CRI.
2. 27LM not available for 90CRI and 98CRI.
3. EM12 not available for 83CRI and 90CRI in 07LM, 10LM and 98CRI in 07LM.
4. Driver uses logarithmic dimming curve as standard. For linear dimming curve add "LIN" after dimming code, i.e. DIM10LIN.
5. Triac/ELV dimming not available in 07LM. Dimmable to < 10% for 10LM, 13LM and dimmable to < 1% for 20LM or 27LM in 120V only.
6. LUT/LUTP not available in 20LM or 27LM.

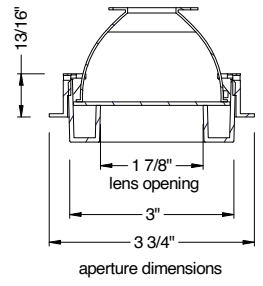
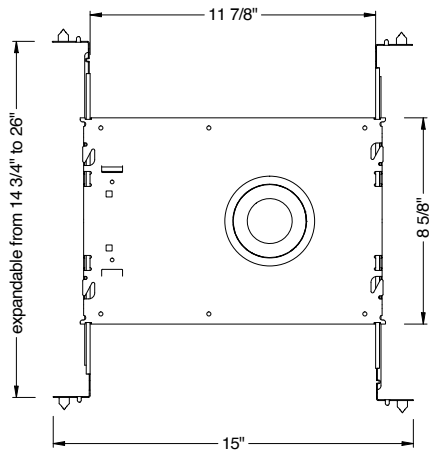
PROJECT INFORMATION		
JOB NAME		TYPE
ORDERING CODE		

MOUNTING OPTIONS

NC - NEW CONSTRUCTION CQR

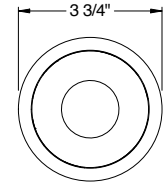
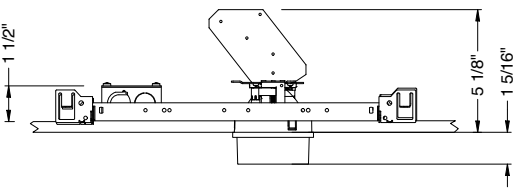


ceiling cutout
3 3/8" diameter

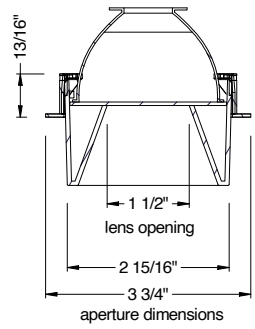
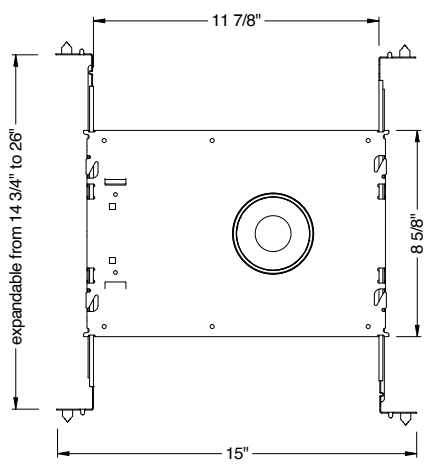


aperture dimensions

NC - NEW CONSTRUCTION DPR



ceiling cutout
3 1/2" diameter

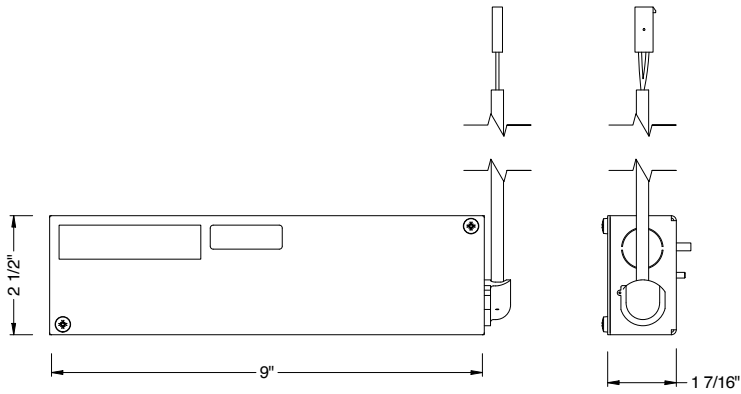


aperture dimensions

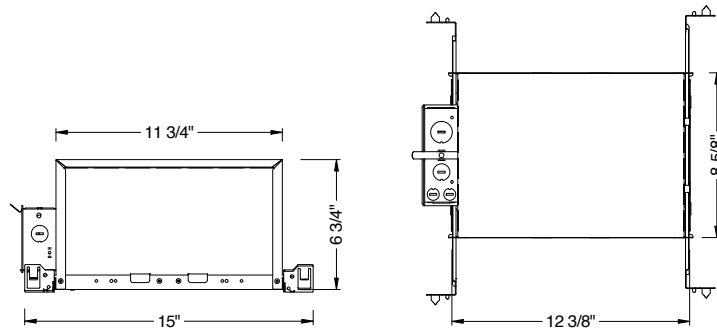
PROJECT INFORMATION			
JOB NAME		TYPE	
ORDERING CODE			

MOUNTING OPTIONS (CONTINUED)

RET - RETROFIT



IC - INSULATION CONTACT HOUSING



CP - CHICAGO PLENUM ICAT - INSULATION CONTACT / AIR TIGHT

