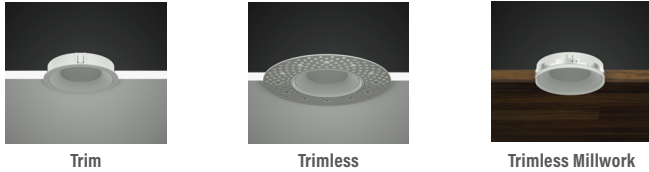
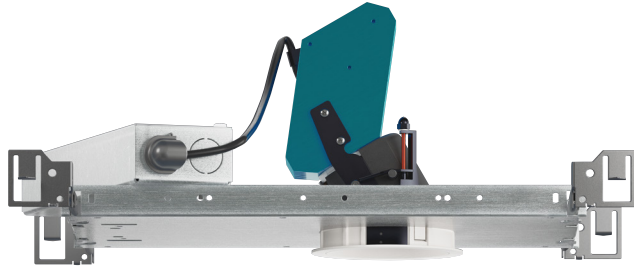


alphabet

PROJECT INFORMATION		
JOB NAME		TYPE
ORDERING CODE		

NU3

3" Round Adjustable Standard White



20° - 55° BEAM (Note: Specifications are subject to change without notice)		
9mm COB PERFORMANCE DATA		
LED LIGHT ENGINE	NOMINAL DELIVERED LUMENS	SYSTEM WATTAGE
10LM	840LM @30K/80CRI	9W
15LM	1240LM @30K/80CRI	13W
20LM	1630LM @30K/80CRI	17W
25LM	1940LM @30K/80CRI	22W
30LM	2330LM @30K/80CRI	27W
35LM	2770LM @30K/80CRI	34W
40LM	3230LM @30K/80CRI	40W
10LM	720LM @30K/90CRI	9W
15LM	1060LM @30K/90CRI	13W
20LM	1390LM @30K/90CRI	17W
25LM	1650LM @30K/90CRI	22W
30LM	1990LM @30K/90CRI	27W
35LM	2360LM @30K/90CRI	34W
40LM	2750LM @30K/90CRI	40W
Notes	Delivered lumens based on 35D optic with no lens, (see page 2)	

15° BEAM (Note: Specifications are subject to change without notice)		
6mm COB PERFORMANCE DATA		
LED LIGHT ENGINE	NOMINAL DELIVERED LUMENS	SYSTEM WATTAGE
10LM	820LM @30K/80CRI	11W
15LM	1180LM @30K/80CRI	19W
10LM	690LM @30K/90CRI	11W
15LM	1000LM @30K/90CRI	19W
Notes	Delivered lumens based on 15D optic with no lens, (see page 2)	

9.5° BEAM (Note: Specifications are subject to change without notice)		
4.5mm COB PERFORMANCE DATA		
LED LIGHT ENGINE	NOMINAL DELIVERED LUMENS	SYSTEM WATTAGE
10LM	950LM @30K/80CRI	17.5W
10LM	810LM @30K/90CRI	17.5W
Notes	Delivered lumens based on 9D optic with no lens, (see page 2)	



FEATURES

- True 30° Tilt with <5% beam disruption (clipping)
- Zero ceiling line obstruction at Full Tilt
- Concentric Tilt Tracking ensures minimal light loss
- 360° full rotation
- 9° - 55° optical beam control
- UGR <5
- Multiple mounting and glare control options

DIMMING AND CONTROLS

- eldoLED flicker free 0-10V dimming to 0% and 1%
- eldoLED flicker free DALI dimming to 0% and 1%
- Lutron Hi-lume 0.1% Ecosystem
- Lutron athena wireless node
- Leading & trailing edge (Triac/ELV) dimming to 1%
- Casambi bluetooth dimming to 1%
- NLight control interface dimming to 0%

CONSTRUCTION

- Lexan™ (PC) highly resistant to impact and heat (240°F)
- Optimal material for wireless BLE signal connectivity
- Shatter proof acrylic bezel lens
- Electrocoated 16-gauge cold-rolled steel construction
- Accommodates ceiling thickness from 0.2" to 1.25"

LED

- 90 CRI: SDCM = 2-step MacAdam Ellipse, Lumen Maintenance: L₇₀ > 66,000 hrs
- 80 CRI: SDCM = 2-step MacAdam Ellipse, Lumen Maintenance: L₇₀ > 66,000 hrs

LISTING

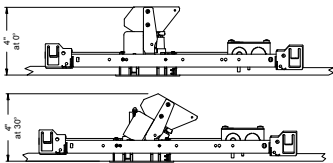
- ULus Listed to UL1598 & UL2108; cUL Listed to CSA C22.2 #250.0
- IP65 with lens - Suitable for wet locations with lens - Suitable for damp locations without lens
- Non-conductive, dead-front construction (shower approved)
- NSF/ANSI-2 with lens (Non-Food and Splash Zones)
- 5 Year Limited warranty

ELECTRICAL

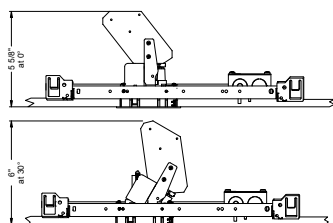
- 120V-277V, 120 only Triac / ELV
- Power factory ≥ 0.9
- 2kV driver input surge protection
- Remote emergency test switch
- 7W, 10W (T20 CEC) and 12W EM 90min battery
- Max. ambient installation temperature 95°F (35°C)

FIXTURE HEIGHT

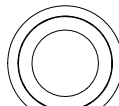
LED LIGHT ENGINE: 1000LM - 3000LM



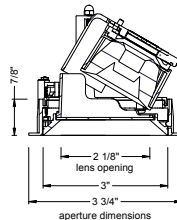
LED LIGHT ENGINE: 3500LM - 4000LM



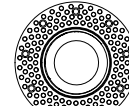
TRIMMED



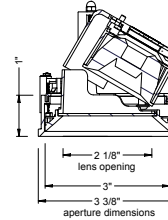
ceiling cutout
3-3/8" diameter
ceiling thickness
0.4" to 1.25"



TRIMLESS



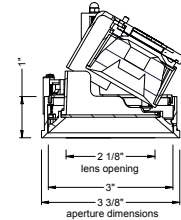
ceiling cutout
3-1/2" diameter
ceiling thickness
0.4" to 1.25"



MILLWORK



ceiling cutout
3-3/8" diameter
ceiling thickness
0.5" to 1.25"



alphabet

PROJECT INFORMATION		
JOB NAME		TYPE
ORDERING CODE		

9°- 55° BEAM ORDERING CODE

SERIES	NU3	NU3
TYPE	RA	round adjustable
	RAT	round adjustable trimless
	RATMW	round adjustable trimless millwork
LED	SW	standard white
DELIVERED LUMENS	10LM	840 lm
	15LM	1240 lm
	20LM	1630 lm
	25LM	1940 lm
	30LM	2330 lm
	35LM ¹	2770 lm
	40LM ¹	3230 lm
Standard Configuration: 3000K 80CRI 35D NL Calculated Delivered Lumens = [Delivered Lumen Value] x [CCT Multiplier] x [Optic Multiplier] x [Lens Multiplier]		
CCT	27K	2700K
	30K	3000K
	35K	3500K
	40K	4000K
CRI	80	80 CRI
	90	90 CRI
OPTIC & LM MULTIPLIER SEE PAGE 3	9D ²	9.5 degrees (1.10)
	15D ³	15 degrees (1.10)
	20D	20 degrees (0.91)
	25D	25 degrees (0.91)
	35D	35 degrees (1.00)
TIR OPTIC ACCESSORY SEE PAGE 3	NA	no accessory (1.00)
	HCL	honeycomb louver (0.70)
	HETA	high efficiency textured lens, similar to Solite™ (0.90)
	EA ⁴	elliptical lens (0.90)
Attached to TIR optic, active		
BEZEL LENS SEE PAGE 3	NL ⁵	no lens (1.00)
	CL	clear lens (0.90)
	DL	diffused lens (0.90)
	HET	high efficiency textured lens, similar to Solite™ (0.90)
	SBL	smoothing beam lens (0.90)
TRIM COLOR SEE PAGE 3	BK	black
	WH	white
	MC	matte chrome
	BZ	bronze
	WT	wheat
Not applicable to trimless option. Do not include in trimless ordering code.		
BEZEL COLOR SEE PAGE 3	BK	black
	WH	white
	BZ	bronze
	MC	matte chrome
	WT	wheat

9°- 55° BEAM ORDERING CODE

MOUNTING OPTIONS SEE PAGE 6, 7	NC	new construction with ceiling fitting plate
	IC ⁶	insulation contact housing
	ICAT ⁶	insulation contact/airtight housing
	CP ⁶	chicago plenum housing
	RET	retrofit, no ceiling fitting plate
VOLTAGE	120	120V
	UNV	120V-277V
DIMMING	DIM10 ⁷	eldoLED flicker free 0-10V dimming to 1%
	DIM10Z ⁸	eldoLED flicker free 0-10V dimming to 0%
	DALI ⁸	eldoLED flicker free DALI dimming to 1%
	DALIZ ⁸	eldoLED flicker free DALI dimming to 0%
	LUTP ⁹	Lutron Hi-lume Premier Ecosystem dimming to 0.1%, Soft-on & Fade-to-Black
	ELV1 ¹⁰	leading & trailing edge (Triac/ELV) dimming to 1%
	NLT	nLight control interface: standard Cat-5/RJ45 connection (female), dim to off
ELECTRICAL OPTIONS	CAS	Casambi Bluetooth control with flicker free 1% dimming
	AWNR ¹¹	lutron athena wireless node
ELECTRICAL OPTIONS	EM7	emergency battery backup, 90 minutes at 7W to LED
	EM12	emergency battery backup, 90 minutes at 12W to LED
	EM10CA20	remote emergency battery backup, 90 minutes at 10W to LED, CA title 20

ADDITIONAL MOUNTING INFO

New Construction Bar Hangers (included)	Mounting Length: 14-3/4" to 26"
Extension Kit p/n: K20266 (ordered separately, 1 per fixture)	Extends a pair of Bar Hangers Total Mounting Length: 29" to 48"

YOUR COMPLETED ORDERING CODE

Follow the steps to specify your fixture, example:
NU3 - RA - SW - 20LM - 35K - 90 - 35D - NA - HET - WH - WH - NC - UNV - DIM10 - EM7

NOTES

- 35LM/40LM available with ELV1/DIM10 dimming.
- 9D available in 10LM. Available with NL/SBL lens.
- 15D available in 10LM/15LM. Not available with DL lens.
- Elliptical lens not available with 9D/15D optics.
Actual beam distributions [20D= 25° x 60°, 25D= 40° x 65°, 35D= 45° x 70°, 55D= 55° x 80°]
- NL option does not meet requirement for AT/DF/WET/NSF listings.
- IC/ICAT/CP not available in 9D/10LM or 30LM/35LM/40LM.
- DIM10 code uses ERP 1% Driver for 35LM/40LM.
- 35LM/40LM not available.
- LUTP not available in 25LM/30LM/35LM/40LM.
- ELV1 (120V input) not available in 10LM with 20D/25D/35D/55D optics.
- AWNR reference page 9 for product specifications on Athena wireless node.

*EldoLED uses logarithmic dimming curve as standard.
For linear dimming curve, add "LIN" after dimming code, i.e. DIM10LIN.

alphabet

PROJECT INFORMATION		
JOB NAME		TYPE
ORDERING CODE		

TRIM OPTIONS

TRIM/BEZEL COLORS



OPTICAL OPTIONS

- UGR calculation based on CIE 117-1995; room size: 4H X 8H, reflectance: 70/50/20;
- UGR calculation based on 15LM fixtures, unless otherwise noted.

TIR OPTIC ACCESSORY Honeycomb Louver



OPTIC	BEAM ANGLE	UGR
20D	18	≤5
25D	23	≤5
35D	28	≤5
55D	47	14.6

NL No Lens



OPTIC	BEAM ANGLE	UGR
9D*	9.5	3.3
15D	14	≤5
20D	18	≤5
25D	25	6.1
35D	32	5.9
55D	55	16

CL Clear Lens



OPTIC	BEAM ANGLE	UGR
15D	14	≤5
20D	19	≤5
25D	25	6.5
35D	32	6.1
55D	55	15.7

DL Diffused Lens



OPTIC	BEAM ANGLE	UGR
20D	37	16.9
25D	41	18.8
35D	44	19.6
55D	58	22.3

HET High Efficiency Textured Lens



OPTIC	BEAM ANGLE	UGR
20D	23	6.5
25D	28	10.6
35D	33	11.6
55D	53	17.7

SBL Smoothing Beam Lens



OPTIC	BEAM ANGLE	UGR
15D	15	≤5
20D	19	≤5
25D	25	7.3
35D	32	7.2
55D	55	15.9

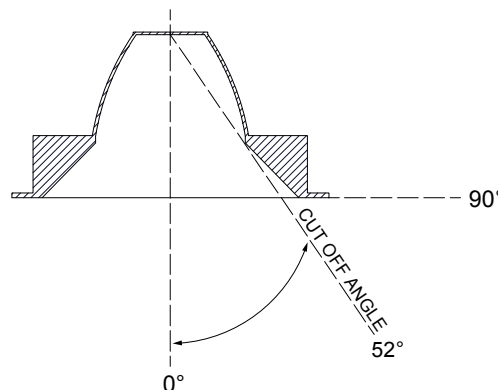
GLARE CONTROL

CUT-OFF ANGLE

Visual comfort is achieved with a lower cut-off angle due to improved glare control. The smaller the cut-off angle, the easier it is on the eye.

Alphabet downlights have been thoughtfully engineered to eliminate glare while still delivering functional illumination.

- Cutoff angle of NL and CL is 52° degrees;



alphabet

PROJECT INFORMATION		
JOB NAME		TYPE
ORDERING CODE		

PHOTOMETRIC DATA

20LM CCT MULTIPLIERS		
	80CRI	90CRI
2700K	0.96	0.81
3000K	1	0.85
3500K	1.03	0.88
4000K	1.06	0.91
FC Formula = CBCP / Distance ²		

20D 18° NO LENS	
Throw Distance (ft)	Beam Diameter (ft)
6	1.9
8	2.6
10	3.2
12	3.9
14	4.5
Illuminance at Center (fc)	
268	
151	
96	
67	
49	
WATTS: 16.5	LPW: 81
LUMENS: 1336	CCT: 3000K
INTENSITY	
DEGREE	CANDELA
0	9633
5	7816
15	2043
25	203
35	23
45	4

25D 25° NO LENS	
Throw Distance (ft)	Beam Diameter (ft)
6	2.7
8	3.6
10	4.5
12	5.3
14	6.2
Illuminance at Center (fc)	
179	
101	
64	
45	
33	
WATTS: 16.5	LPW: 89.4
LUMENS: 1476	CCT: 3000K
INTENSITY	
DEGREE	CANDELA
0	6442
5	5709
15	2425
25	532
35	66
45	8

35D 32° NO LENS	
Throw Distance (ft)	Beam Diameter (ft)
6	3.4
8	4.6
10	5.7
12	6.9
14	8
Illuminance at Center (fc)	
143	
81	
52	
36	
26	
WATTS: 16.5	LPW: 98.9
LUMENS: 1632	CCT: 3000K
INTENSITY	
DEGREE	CANDELA
0	5159
5	4876
15	2841
25	772
35	61
45	7

55D 55° NO LENS	
Throw Distance (ft)	Beam Diameter (ft)
6	6.3
8	8.3
10	10.4
12	12.5
14	14.6
Illuminance at Center (fc)	
58	
32	
21	
14	
11	
WATTS: 16.5	LPW: 94.5
LUMENS: 1560	CCT: 3000K
INTENSITY	
DEGREE	CANDELA
0	2044
5	2056
15	1954
25	1286
35	330
45	25

40LM CCT MULTIPLIERS		
	80CRI	90CRI
2700K	0.96	0.81
3000K	1	0.85
3500K	1.03	0.88
4000K	1.06	0.91
FC Formula = CBCP / Distance ²		

20D 18° NO LENS	
Throw Distance (ft)	Beam Diameter (ft)
6	1.9
8	2.6
10	3.2
12	3.9
14	4.5
Illuminance at Center (fc)	
530	
298	
191	
133	
97	
WATTS: 38.3	LPW: 69.1
LUMENS: 2646	CCT: 3000K
INTENSITY	
DEGREE	CANDELA
0	19083
5	15484
15	4046
25	402
35	46
45	8

25D 25° NO LENS	
Throw Distance (ft)	Beam Diameter (ft)
6	2.7
8	3.6
10	4.5
12	5.3
14	6.2
Illuminance at Center (fc)	
354	
199	
128	
89	
65	
WATTS: 38.3	LPW: 76.3
LUMENS: 2923	CCT: 3000K
INTENSITY	
DEGREE	CANDELA
0	12761
5	11310
15	4803
25	1053
35	131
45	17

35D 32° NO LENS	
Throw Distance (ft)	Beam Diameter (ft)
6	3.4
8	4.6
10	5.7
12	6.9
14	8
Illuminance at Center (fc)	
284	
160	
102	
71	
52	
WATTS: 38.3	LPW: 84.4
LUMENS: 3233	CCT: 3000K
INTENSITY	
DEGREE	CANDELA
0	10220
5	9658
15	5628
25	1529
35	121
45	14

55D 55° NO LENS	
Throw Distance (ft)	Beam Diameter (ft)
6	6.3
8	8.3
10	10.4
12	12.5
14	14.6
Illuminance at Center (fc)	
114	
64	
41	
29	
21	
WATTS: 38.3	LPW: 80.7
LUMENS: 3090	CCT: 3000K
INTENSITY	
DEGREE	CANDELA
0	4049
5	4072
15	3871
25	2547
35	655
45	49

alphabet

PROJECT INFORMATION		
JOB NAME		TYPE
ORDERING CODE		

PHOTOMETRIC DATA

10LM CCT MULTIPLIERS		
	80CRI	90CRI
2700K	0.96	0.81
3000K	1	0.85
3500K	1.03	0.88
4000K	1.06	0.91
FC Formula = CBCP / Distance ²		

15D 14° NO LENS	
Throw Distance (ft)	Beam Diameter (ft)
6	267
8	150
10	96
12	67
14	49
Illuminance at Center (fc)	
WATTS: 11.5	LPW: 71.3
LUMENS: 820	CCT: 3000K
INTENSITY	
DEGREE	CANDELA
0	9595
5	6631
15	943
25	60
35	7
45	1

9D 9.5° NO LENS	
Throw Distance (ft)	Beam Diameter (ft)
6	630
8	355
10	227
12	158
14	116
Illuminance at Center (fc)	
WATTS: 17.4	LPW: 55.3
LUMENS: 962	CCT: 3000K
INTENSITY	
DEGREE	CANDELA
0	22696
5	10915
15	498
25	83
35	23
45	2

15LM CCT MULTIPLIERS		
	80CRI	90CRI
2700K	0.96	0.81
3000K	1	0.85
3500K	1.03	0.88
4000K	1.06	0.91
FC Formula = CBCP / Distance ²		

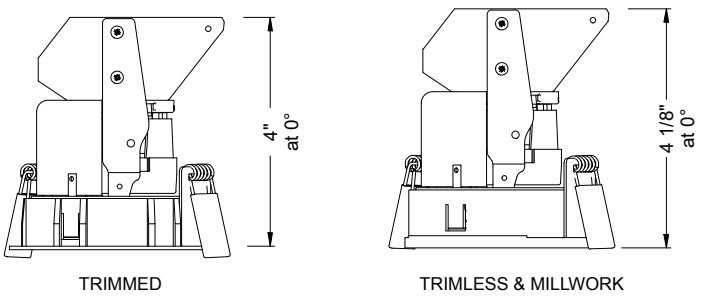
15D 14° NO LENS	
Throw Distance (ft)	Beam Diameter (ft)
6	384
8	216
10	138
12	96
14	71
Illuminance at Center (fc)	
WATTS: 17.4	LPW: 67.9
LUMENS: 1181	CCT: 3000K
INTENSITY	
DEGREE	CANDELA
0	13829
5	9558
15	1360
25	86
35	10
45	1

PROJECT INFORMATION		
JOB NAME		TYPE
ORDERING CODE		

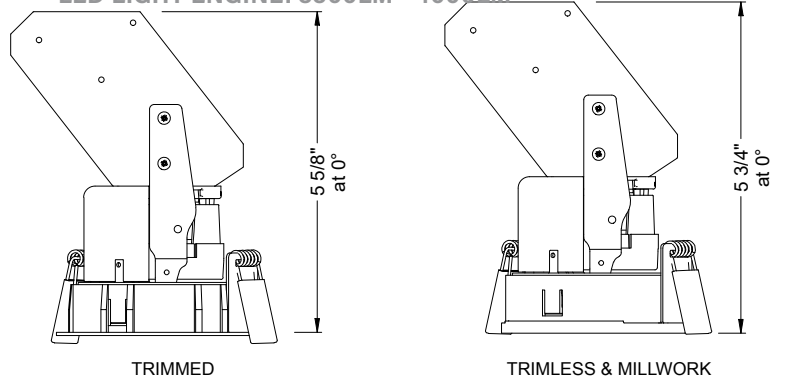
MOUNTING OPTIONS

FIXTURE HEIGHT

LED LIGHT ENGINE: 1000LM - 3000LM

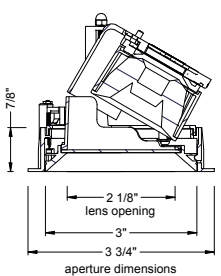
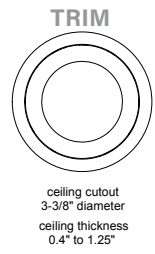
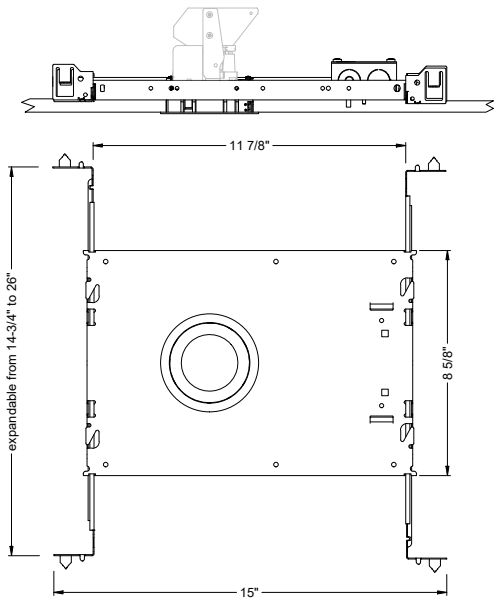


LED LIGHT ENGINE: 3500LM - 4000LM

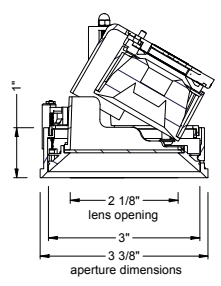
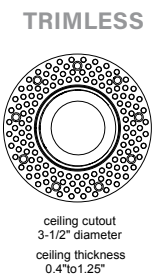
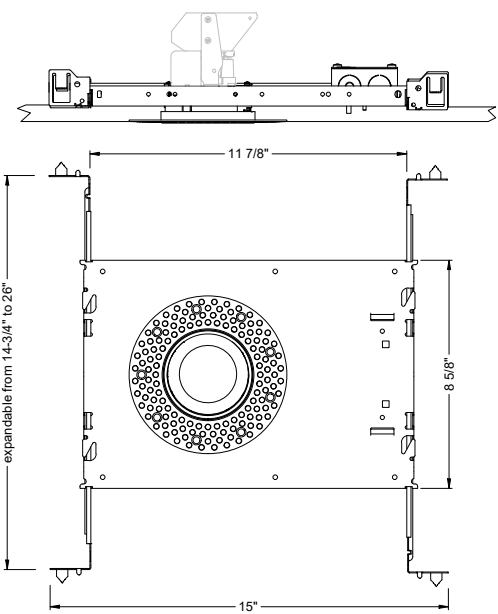


NC - NEW CONSTRUCTION

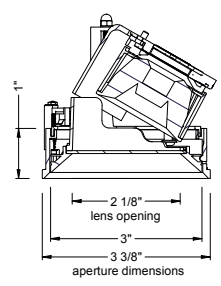
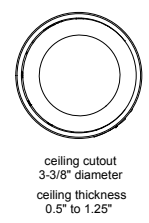
TRIM



TRIMLESS



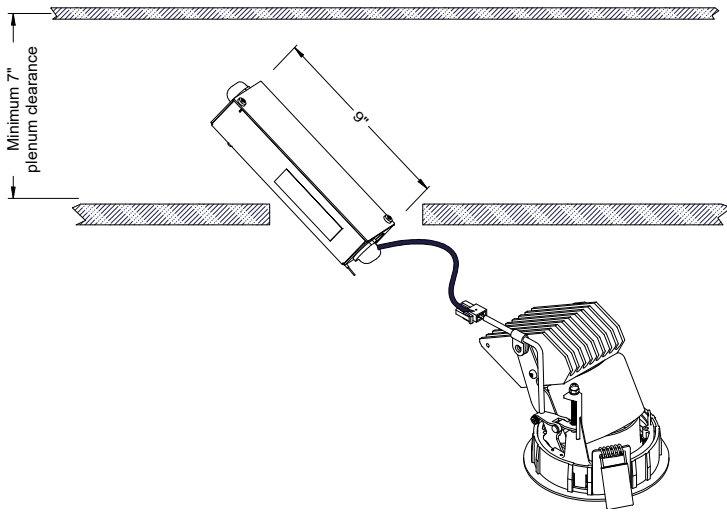
TRIMLESS/MILLWORK



PROJECT INFORMATION		
JOB NAME	TYPE	
ORDERING CODE		

MOUNTING OPTIONS (CONTINUED)

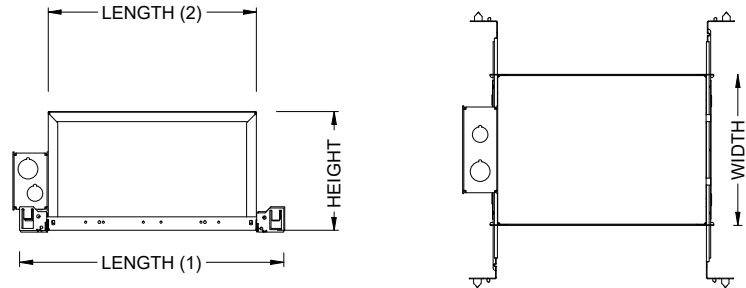
RET - RETRO TRIM/TRIMLESS



RATINGS / CERTIFICATIONS	NC	RET	IC	ICAT	CP
TYPE NON-IC	✓	✓			
TYPE IC			✓	✓	✓
CHICAGO PLENUM (CCEA)					
SUITABLE FOR AIR HANDLING PLENUMS	✓	✓	✓	✓	✓
REDUCED AIRFLOW (WITH LENS) ASTM E283	✓	✓	✓	✓	✓

CEILING THICKNESS	
FIXTURE TYPE	MOUNTING TYPE
	STANDARD CEILING THICKNESS
TRIM	0.2" to 1.25"
TRIMLESS	0.2" to 1.25"
MILLWORK (TRIMLESS)	0.3" to 1.25"

IC - INSULATION CONTACT HOUSING ICAT - INSULATION CONTACT / AIR TIGHT CP - CHICAGO PLENUM



BOX SIZE	L 1	L 2	W	H
A	15 - 7/16"	11 - 3/4"	8 - 1/2"	6 - 3/4"
B	18 - 1/4"	14 - 7/8"	12 - 1/8"	11 - 1/4"
C	18 - 1/4"	14 - 7/8"	12 - 1/8"	6 - 3/4"

BOX TYPE / LUMEN OUTPUT - NARROW BEAM (9°)					
LUMEN OUTPUT	BOX - A			BOX - B	BOX - C
	CP	IC	ICAT	IC	ICAT
10LM					

BOX TYPE / LUMEN OUTPUT - NARROW BEAM (15°)					
LUMEN OUTPUT	BOX - A			BOX - B	BOX - C
	CP	IC	ICAT	IC	ICAT
10LM	✓	✓	✓		
15LM	✓	✓	✓		

BOX TYPE / LUMEN OUTPUT - STANDARD BEAMS (20° - 55°)					
LUMEN OUTPUT	BOX - A			BOX - B	BOX - C
	CP	IC	ICAT	IC	ICAT
10LM	✓	✓	✓		
15LM	✓	✓	✓		
20LM	✓	✓	✓		
25LM	✓	✓	✓		
30LM					
35LM					
40LM					

PROJECT INFORMATION		
JOB NAME		TYPE
ORDERING CODE		

BATTERY OPTIONS

EMERGENCY BATTERY

IOTA's ILB Battery Backups are UL Listed LED emergency drivers that allow the same LED fixture to be used for both normal and emergency operation. In the event of a power failure, the ILB switches to the emergency mode and operates the existing fixture for 90 minutes. The unit contains a battery, charger, and converter circuit in a single can. The Constant Power design of the ILB maintains the output wattage to the LED array even as the system voltage diminishes. UL 924 Listed for U.S. and Canada. UL 1310 Certified, Output Class 2 Compliant. Includes single-piece TBTS test switch and charge indicator accessory kit. For use with switched and unswitched fixtures, and includes Two-wire universal AC input. Meets or exceeds all National Electric Code and Life Safety Code Emergency Lighting Requirements. Rated for use in Plenum, Damp Location, Recessed Type IC, and Enclosed and Gasketed Luminares.

REMOTE TEST SWITCH

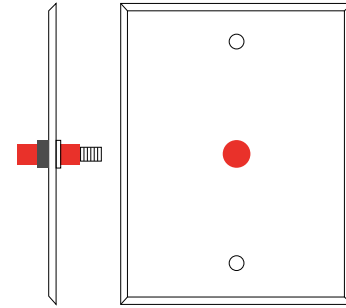
The Remote Test Switch may be mounted adjacent to the LED Fixture by others.

EMERGENCY BATTERY ACCESS

Above ceiling access is recommended for ease of service, but LED Fixture Sizes of 4" and Larger are capable of below ceiling access. IC/ICAT/CP Box and ITS option require an access panel in the ceiling (or other form of access) adjacent to the installation location of the Emergency Battery.

REMOTE LOCATION

Maximum remote mounting distance of the emergency driver shall be 50 feet. Remote location wiring provided by others. Follow all Local and National Electric/ Building Codes.



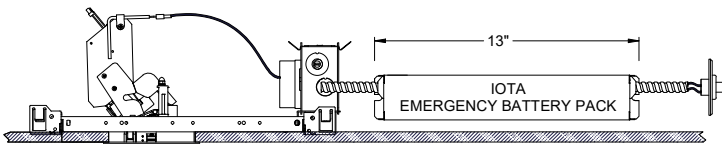
Remote Test Switch

EM MODE OUTPUT (DELIVERED LUMENS)

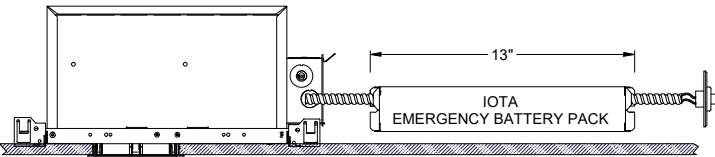
LUMEN ORDERING CODE	EM7	EM10	EM12
ALL OPTIONS (10LM TO 30LM)	820LM	1120LM	1280LM

Notes: Based on 30K, 80CRI

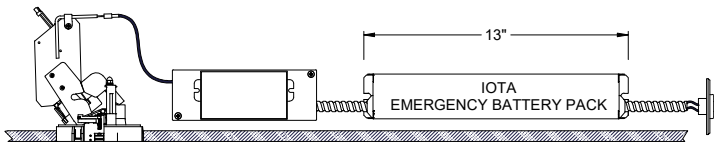
NC - NEW CONSTRUCTION WITH EM BATTERY (REMOTE TEST SWITCH)



IC / ICAT / CP - INSULATION CONTACT HOUSING WITH EM BATTERY (REMOTE TEST SWITCH)

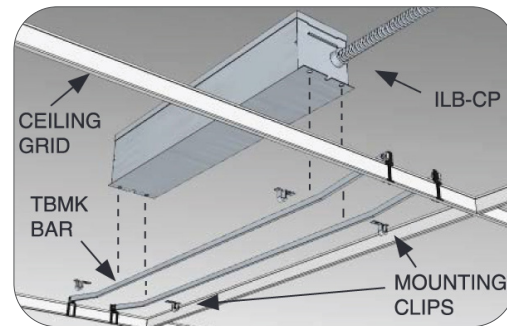


RET - RETROFIT WITH EM BATTERY (REMOTE TEST SWITCH)



Accessory

76066 Optional T-Grid Mounting Kit¹



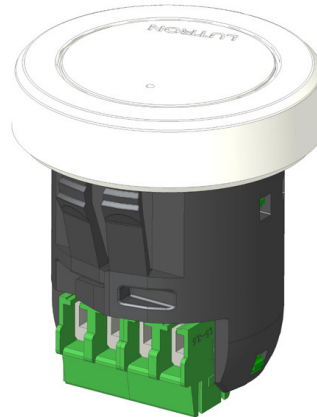
1. Can be used with any of the Emergency Battery Backups. Must be ordered as a separate line item.

PROJECT INFORMATION		
JOB NAME		TYPE
ORDERING CODE		

AWNDR OPTIONS

Athena Wireless Node

The Athena wireless node is a radio frequency (RF) device that enables simple, digital control of individual light fixtures in an Athena control system.



Athena Wireless Node RF

AWNDR

Plenum rated and can be installed above the ceiling for wireless control of a fixture without any impact on fixture aesthetics.

FEATURES

- Enables individual, wireless control of each fixture in an Athena control system. Accommodates zone and control changes without rewiring.
- Installed at factory – no wiring required on-site. Fixture is ready to communicate wirelessly once power is connected.
- All drivers on the link are controlled as a single zone.

REGULATORY APPROVALS

- cULus Listed (UL916)
- Complies with requirements for use in other spaces used for environmental air (plenums) per NEC® 2014 300.22(C)(3).
- FCC compliant with the limits for a Class B digital device.
- IC (Industry Canada)
- ANSI C137.1 0-10 V- Electronic Off

POWER / LOAD

- IEC SELV/NEC® Class 2
- 1 Watt

ENVIRONMENTAL

- Ambient operating temperature (immediate vicinity of Athena wireless node): **32 °F to 131 °F** (0 °C to 55 °C), 0% to 90% humidity.

BATTERY OPTIONS

- For EM options please consult factory.

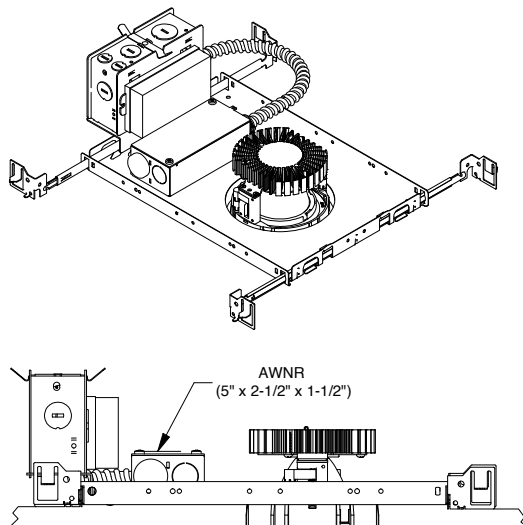
Note: Default behavior prior to programming

- Light level 100%
- Athena wireless node performs an unprogrammed startup sequence on every power up until the device is added to an Athena system.
- Each Athena wireless node should be installed within 25 ft (7.62 m) of two or more Athena wireless nodes or other Clear Connect – Type X devices.
- For Chicago plenum installations, the Athena wireless node may not be installed in the plenum space. It must be installed in the occupied space.

For servicing the driver/j-box, access above ceiling is required. (NC Mounting)

IC/ICAT/CP not available in AWNR.

NC - NEW CONSTRUCTION



RET - RETRO FIT

