

alphabet

PROJECT INFORMATION		
JOB NAME		TYPE
ORDERING CODE		

NU3 LOPRO

3" Round Adjustable Warm Dim



AT
airtight

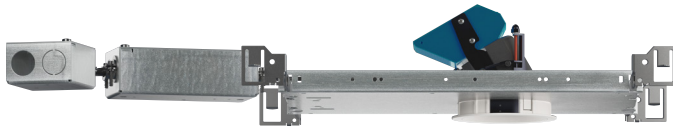
DF
dead-front

PR
plenum rated

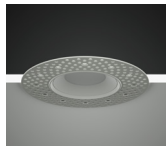
wet rated

15° - 35° BEAM (Note: Specifications are subject to change without notice)		
9mm DYNAMIC COB PERFORMANCE DATA		
LED LIGHT ENGINE	NOMINAL DELIVERED LUMENS	SYSTEM WATTAGE
10LM	780LM @30K/97CRI	13W
15LM	1020LM @30K/97CRI	19W
Notes	Delivered lumens based on 35D optic with no lens, (see page 2)	

30° - 35° BEAM (Note: Specifications are subject to change without notice)		
14mm DYNAMIC COB PERFORMANCE DATA		
LED LIGHT ENGINE	NOMINAL DELIVERED LUMENS	SYSTEM WATTAGE
20LM	1450LM @30K/97CRI	26W
Notes	Delivered lumens based on 35D optic with no lens, (see page 2)	



Trim



Trimless



Trimless Millwork

FEATURES

- True 30° Tilt with <10% beam disruption (clipping), 360° rotation
- Double jointed driver box allows for 4" shallow plenum installation
- 15° - 35° optical beam control
- UGR <5
- Glare control, specialty optics, trim options, and custom finishes available
- Microban™ antimicrobial finish available on all exposed painted surfaces

DIMMING AND CONTROLS

- 0-10V dimming to 1%
- leading & trailing edge (Triac / ELV) dimming to 1%

CONSTRUCTION

- Lexan™ (PC) highly resistant to impact and heat (240°F)
- Optimal material for wireless BLE signal connectivity
- Shatter proof acrylic bezel lens
- Electrocoated 16-gauge cold-rolled steel construction
- Accommodates ceiling thickness from 1/4" to 1-1/4"

LED

- Luminus Dim-to-warm COB:
- 97 CRI: SDCM = 3-step MacAdam Ellipse; Lumen Maintenance: L₇₀ > 54,000 hrs

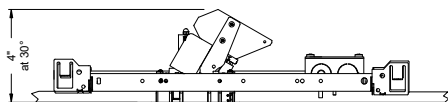
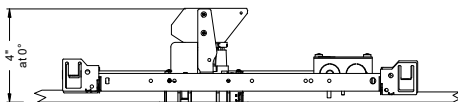
LISTING

- ULus Listed to UL1598 & UL2108; cUL Listed to CSA C22.2 #250.0
- IP65 with lens - Suitable for wet locations with lens - Suitable for damp locations without lens
- Non-conductive, dead-front construction (shower approved)
- NSF/ANSI-2 with lens (Non-Food and Splash Zones)
- 5 Year Limited warranty

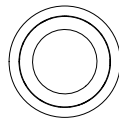
ELECTRICAL

- 120V-277V, 120 only Triac / ELV
- Power factory ≥ 0.9
- 2kV driver input surge protection
- Remote emergency test switch
- 7W, 10W (T20 CEC) and 12W EM 90min battery
- Max. ambient installation temperature 95°F (35°C)

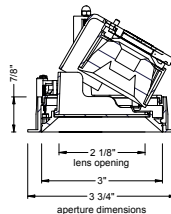
FIXTURE HEIGHT



TRIMMED

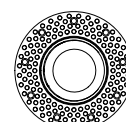


ceiling cutout
3-3/8" diameter
ceiling thickness
1/4" to 1-1/4"

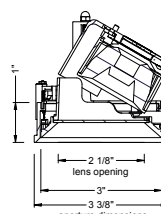


aperture dimensions

TRIMLESS

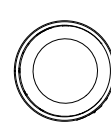


ceiling cutout
3-1/2" diameter
ceiling thickness
1/4" to 1-1/4"

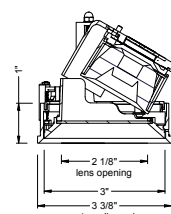


aperture dimensions

MILLWORK



ceiling cutout
3-3/8" diameter
ceiling thickness
3/8" to 1-1/4"



aperture dimensions

alphabet

PROJECT INFORMATION		
JOB NAME		TYPE
ORDERING CODE		

15°- 35° BEAM ORDERING CODE

SERIES	NU3	NU3			
TYPE	RALP	round adjustable lopro			
	RATLP	round adjustable trimless lopro			
	RATMWLP	round adjustable trimless millwork lopro			
LED	WD	warm dim (Luminus)			
DELIVERED LUMENS	10LM	780 lm			
	15LM	1020 lm			
	20LM	1450 lm			
Standard Configuration: 3000K 97CRI 25D Calculated Delivered Lumens = [Delivered Lumen Value] x [CCT Multiplier] x [Optic Multiplier] x [Lens Multiplier]					
CCT	3018	3000K, dim to 1800K			
		CCT at Light Level (%LF)			
		%LF	20LM	15LM	10LM
		100%	3000	3000	3000
		50%	3000	3000	2800
25%	2800	2500	2300		
10%	2200	2000	1900		
5%	1800	1800	1800		
CRI	97	97 CRI			
OPTIC & LM MULTIPLIER SEE PAGE 3	15D	15 degrees	(0.99)		
	25D	25 degrees	(1.00)		
	35D	35 degrees	(0.98)		
BEZEL LENS SEE PAGE 3	NL ¹	no lens	(1.00)		
	CL	clear lens	(0.98)		
	DL	diffused lens	(0.91)		
	HET	high efficiency textured lens, similar to Solite™	(0.92)		
	SBL	smoothing beam lens	(0.92)		
TRIM COLOR SEE PAGE 3	BK	black			
	WH	white			
	MC	matte chrome			
	BZ	bronze			
	WT	wheat			
	CC ²	custom color, consult factory for details			
Antimicrobial finish, add AM to black, white or matte chrome i.e. BKAM.					
Not applicable to trimless option. Do not include in trimless ordering code.					
BEZEL COLOR SEE PAGE 3	BK	black	(0.98)		
	WH	white	(1.00)		
	MC	matte chrome	(0.99)		
	BZ	bronze	(0.98)		
	WT	wheat	(0.99)		
	CC ²	custom color, consult factory for details			
Antimicrobial finish, add AM to black, white or matte chrome i.e. BKAM.					

15°- 35° BEAM ORDERING CODE

MOUNTING OPTIONS SEE PAGE 5, 6	NC	new construction with ceiling fitting plate
	IC ³	insulation contact housing
	RET	retrofit, no ceiling fitting plate
VOLTAGE	120	120V
	UNV	120V-277V
DIMMING	DIM10	standard 0-10V dimming to 1%
	ELV1 ⁴	leading & trailing edge (Triac/ELV) dimming to 1%
ELECTRICAL OPTIONS	EM7	emergency battery backup, 90 minutes at 7W to LED
	EM12	emergency battery backup, 90 minutes at 12W to LED
	EM10CA20	remote emergency battery backup, 90 minutes at 10W to LED, CA title 20

ADDITIONAL MOUNTING INFO

New Construction Bar Hangers (included)	Mounting Length: 14-3/4" to 26"
Extension Kit p/n: K20266 (ordered separately, 1 per fixture)	Extends a pair of Bar Hangers Total Mounting Length: 29" to 48"

YOUR COMPLETED ORDERING CODE

Follow the steps to specify your fixture, example:
NU3 - RALP- WD - 15LM - 3018 - 97 - 15D - WH - WH - NC - UNV - DIM - EM7

NOTES

- NL option does not meet requirement for AT/DF/WET/NSF listings.
- Custom set up fee plus minimum quantity required per color.
- IC not available in 20LM.
- ELV1 dimming available in 120V.

* Values shown are for reference only. Actual CCT may vary.

alphabet

PROJECT INFORMATION		
JOB NAME		TYPE
ORDERING CODE		

TRIM OPTIONS

TRIM/BEZEL COLORS



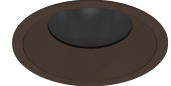
WH



MC



BK



BZ



WT

OPTICAL OPTIONS

- UGR calculation based on CIE 117-1995; room size: 4H X 8H, reflectance: 70/50/20;
- UGR calculation based on 15LM fixtures, unless otherwise noted.

TIR OPTIC ACCESSORY

Honeycomb Louver



OPTIC	BEAM ANGLE	UGR
15D	17	≤5
25D	23	≤5
35D	30	≤5

NL

No Lens



OPTIC	BEAM ANGLE	UGR
15D	18	≤5
25D	25	6.4
35D	32	5.8

CL

Clear Lens



OPTIC	BEAM ANGLE	UGR
15D	18	≤5
25D	25	6.8
35D	32	5.9

DL

Diffused Lens



OPTIC	BEAM ANGLE	UGR
15D	37	16.7
25D	41	18.3
35D	44	19

HET

High Efficiency Textured Lens



OPTIC	BEAM ANGLE	UGR
15D	22	9
25D	27	10.9
35D	33	11.6

SBL

Smoothing Beam Lens



OPTIC	BEAM ANGLE	UGR
15D	18	≤5
25D	25	7.4
35D	32	7

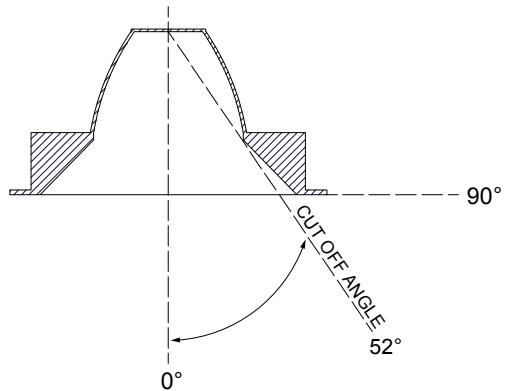
GLARE CONTROL

CUT-OFF ANGLE

Visual comfort is achieved with a lower cut-off angle due to improved glare control. The smaller the cut-off angle, the easier it is on the eye.

Alphabet downlights have been thoughtfully engineered to eliminate glare while still delivering functional illumination.

- Cutoff angle of NL and CL is 52 degrees;

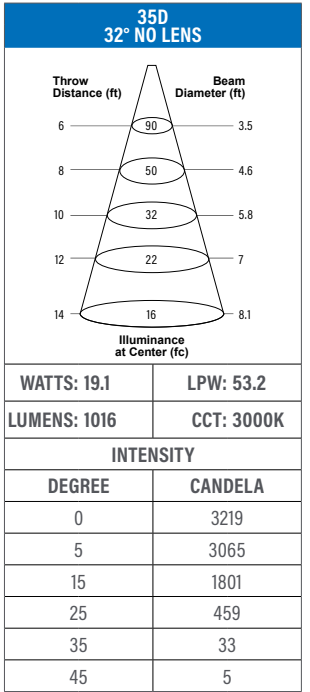
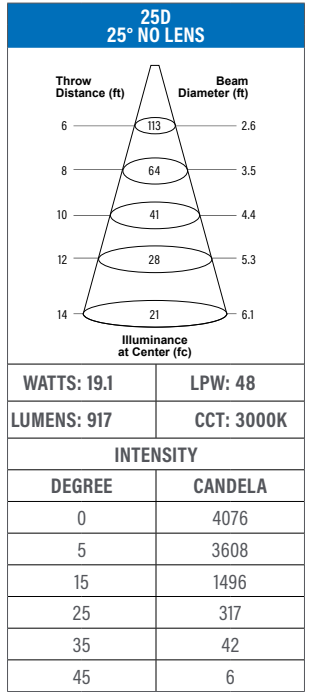
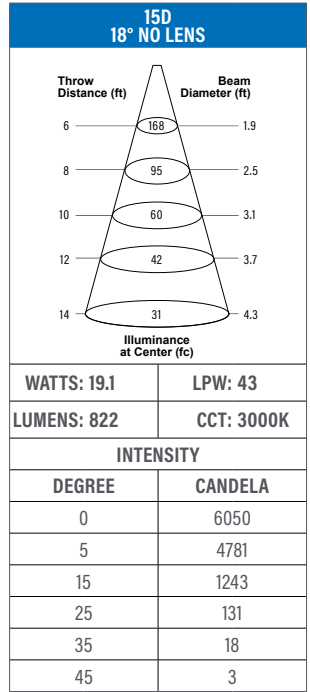


alphabet

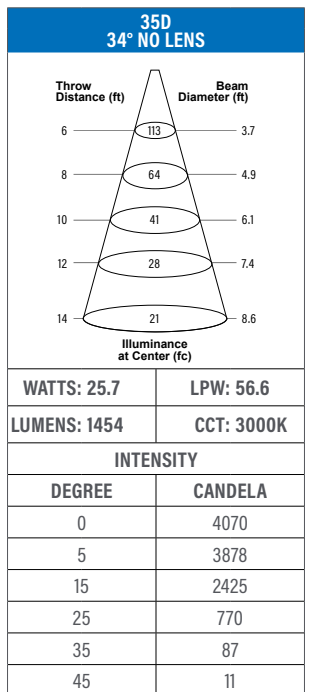
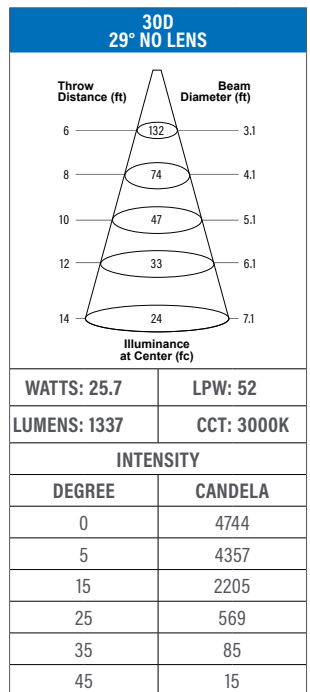
PROJECT INFORMATION		
JOB NAME		TYPE
ORDERING CODE		

PHOTOMETRIC DATA

15LM



20LM



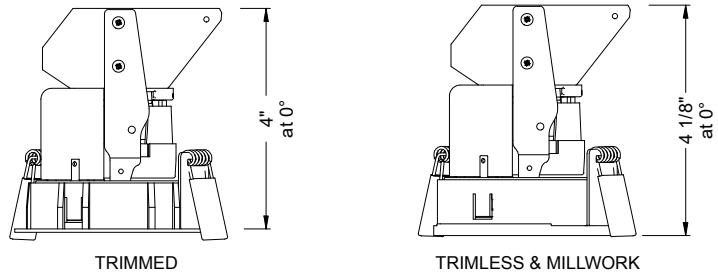
100958

alphabet

PROJECT INFORMATION		
JOB NAME		TYPE
ORDERING CODE		

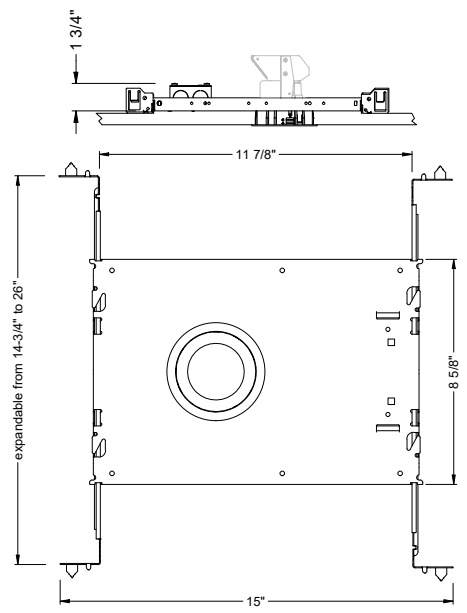
MOUNTING OPTIONS

FIXTURE HEIGHT

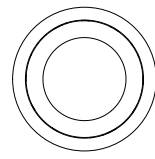


NC - NEW CONSTRUCTION

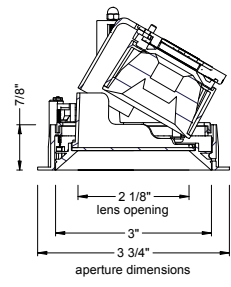
TRIM



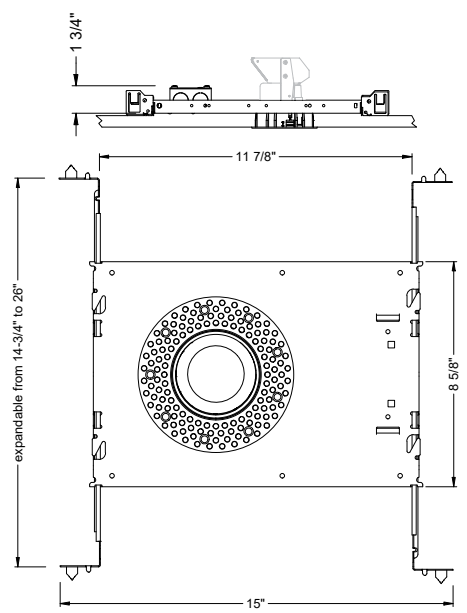
TRIM



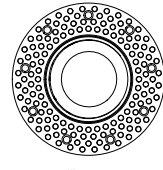
ceiling cutout
3-3/8" diameter
ceiling thickness
1/4" to 1 1/4"



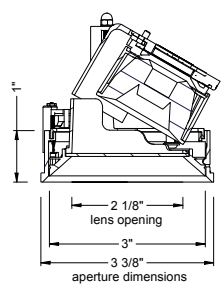
TRIMLESS



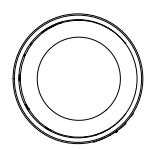
TRIMLESS



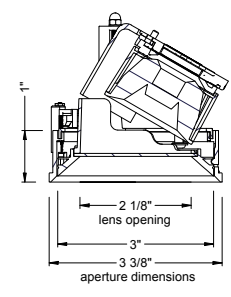
ceiling cutout
3-1/2" diameter
ceiling thickness
1/4" to 1 1/4"



TRIMLESS/MILLWORK



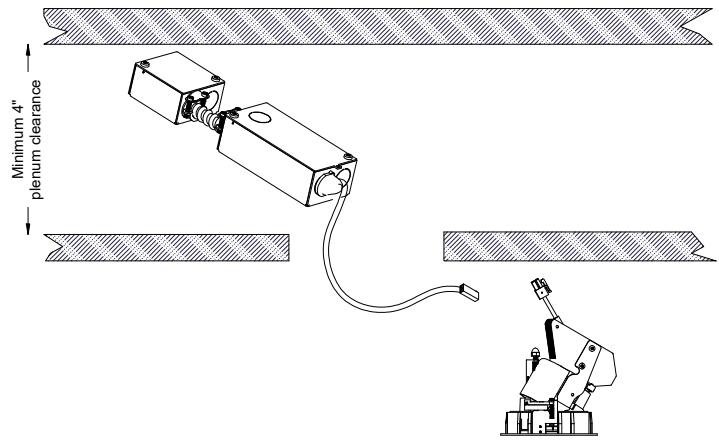
ceiling cutout
3-3/8" diameter
ceiling thickness
3/8" to 1 1/4"



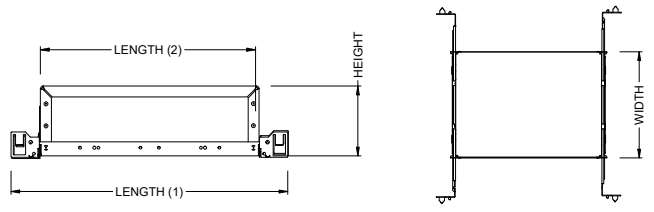
PROJECT INFORMATION		
JOB NAME	TYPE	
ORDERING CODE		

MOUNTING OPTIONS (CONTINUED)

RET - RETRO TRIM/TRIMLESS



IC - INSULATION CONTACT HOUSING

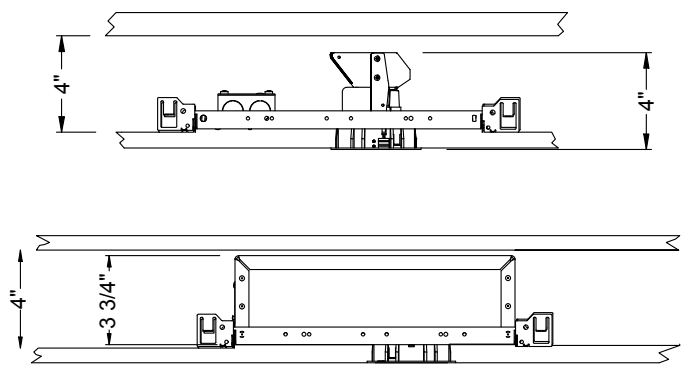


RATINGS / CERTIFICATIONS	NC	RET	IC
TYPE NON-IC	✓	✓	
TYPE IC			✓
CHICAGO PLENUM (CCEA)			✓
SUITABLE FOR AIR HANDLING PLENUMS	✓	✓	✓
REDUCED AIRFLOW (WITH LENS) ASTM E283	✓	✓	✓

BOX SIZE	L1	L2	W	H
A	15 - 7/16"	11 - 3/4"	8 - 1/2"	3 - 3/4"

CEILING THICKNESS	
FIXTURE TYPE	MOUNTING TYPE
	STANDARD CEILING THICKNESS
TRIM	1/4" to 1-1/4"
TRIMLESS	1/4" to 1-1/4"
MILLWORK (TRIMLESS)	3/8" to 1-1/4"

BOX TYPE / LUMEN OUTPUT - STANDARD BEAMS (40° - 70°)			
LUMEN OUTPUT	BOX - A		
	CP	IC	ICAT
10LM		✓	
13LM		✓	
20LM		✓	



PROJECT INFORMATION		
JOB NAME		TYPE
ORDERING CODE		

BATTERY OPTIONS

EMERGENCY BATTERY

IOTA's ILB Battery Backups are UL Listed LED emergency drivers that allow the same LED fixture to be used for both normal and emergency operation. In the event of a power failure, the ILB switches to the emergency mode and operates the existing fixture for 90 minutes. The unit contains a battery, charger, and converter circuit in a single can. The Constant Power design of the ILB maintains the output wattage to the LED array even as the system voltage diminishes. UL 924 Listed for U.S. and Canada. UL 1310 Certified, Output Class 2 Compliant. Includes single-piece TBTS test switch and charge indicator accessory kit. For use with switched and unswitched electric fixtures, and includes Two-wire universal AC input. Meets or exceeds all National Electric Code and Life Safety Code Emergency Lighting Requirements. Rated for use in Plenum, Damp Location, Recessed Type IC, and Enclosed and Gasketed Luminares.

REMOTE TEST SWITCH

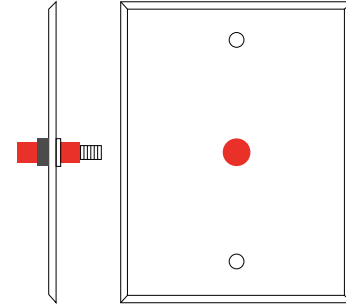
The Remote Test Switch may be mounted adjacent to the LED Fixture by others.

EMERGENCY BATTERY ACCESS

Above ceiling access is required for service. An access panel in the ceiling (or other form of access) adjacent to the installation location of the Emergency Battery is required.

REMOTE LOCATION

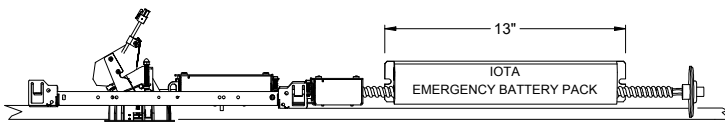
Maximum remote mounting distance of the emergency driver shall be 50 feet. Remote location wiring provided by others. Follow all Local and National Electric/Building Codes.



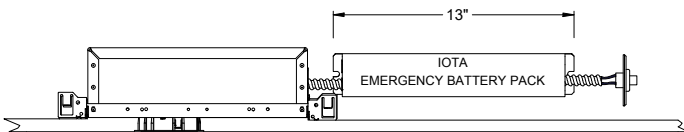
Remote Test Switch

EM MODE OUTPUT (DELIVERED LUMENS)			
LUMEN ORDERING CODE	EM7	EM10	EM12
ALL OPTIONS (10LM TO 20LM)	400LM	570LM	710LM
Notes: Based on 30K, 97CRI			

NC - NEW CONSTRUCTION WITH EM BATTERY (REMOTE TEST SWITCH)

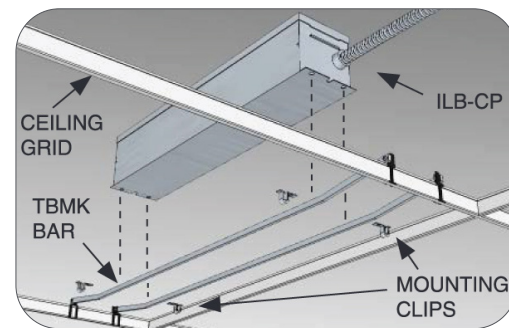


IC - INSULATION CONTACT HOUSING WITH EM BATTERY (REMOTE TEST SWITCH)



Accessory

76066 Optional T-Grid Mounting Kit¹



1. Can be used with any of the Emergency Battery Backups. Must be ordered as a separate line item.