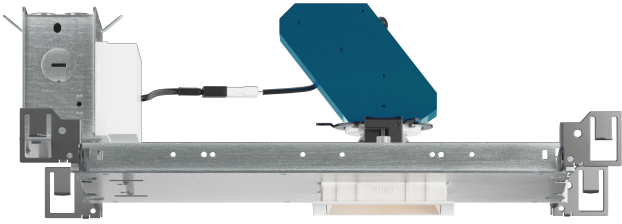


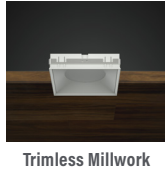
PROJECT INFORMATION		
JOB NAME		TYPE
ORDERING CODE		

NU3

3" Square Downlight Standard White



60° - 80° BEAM (Note: Specifications are subject to change without notice)		
14mm COB PERFORMANCE DATA		
LED LIGHT ENGINE	NOMINAL DELIVERED LUMENS	SYSTEM WATTAGE
10LM	855LM @30K/80CRI	9W
15LM	1200LM @30K/80CRI	12W
20LM	1600LM @30K/80CRI	16W
25LM	2060LM @30K/80CRI	20W
30LM	2450LM @30K/80CRI	24W
35LM	2850LM @30K/80CRI	28W
40LM	3190LM @30K/80CRI	32W
10LM	720LM @30K/90CRI	9W
15LM	1010LM @30K/90CRI	12W
20LM	1350LM @30K/90CRI	16W
25LM	1740LM @30K/90CRI	20W
30LM	2070LM @30K/90CRI	24W
35LM	2410LM @30K/90CRI	28W
40LM	2700LM @30K/90CRI	32W
Notes	Delivered lumens based on WH80 optic with no lens, (see page 2)	



FEATURES

- 3/4" bezel regress with 1/16" micro flange
- 60° - 80° optical beam control
- UGR <21
- Up to 103 LPW
- Glare control, specialty optics, trim options, and custom finishes available
- Microban® antimicrobial finish available on all exposed painted surfaces

DIMMING AND CONTROLS

- eldoLED flicker free 0-10V dimming to 0% and 1%
- eldoLED flicker free DALI dimming to 0% and 1%
- Lutron Hi-lume 0.1% Ecosystem
- Lutron athena wireless node
- Leading & trailing edge (Triac/ELV) dimming to 1%
- Casambi bluetooth dimming to 1.0%
- NLight control interface dimming to 0%

CONSTRUCTION

- Lexan™ (PC) highly resistant to impact and heat (240°F)
- Optimal material for wireless BLE signal connectivity
- Shatter proof acrylic bezel lens
- Electrocoated 16-gauge cold-rolled steel construction
- Accommodates ceiling thickness from 1/8" to 1-3/8"

LED

- 90 CRI: SDCM = 2-step MacAdam Ellipse, Lumen Maintenance: L₇₀ > 66,000 hrs
- 80 CRI: SDCM = 2-step MacAdam Ellipse, Lumen Maintenance: L₇₀ > 66,000 hrs

LISTING

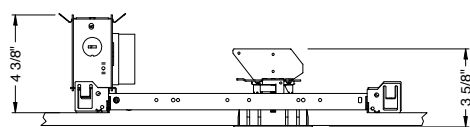
- ULus Listed to UL1598 & UL2108; cUL Listed to CSA C22.2 #250.0
- IP65 with lens - Suitable for wet locations with lens - Suitable for damp locations without lens
- Non-conductive, dead-front construction (shower approved)
- NSF/ANSI-2 with lens (Non-Food and Splash Zones)
- 5 Year Limited warranty

ELECTRICAL

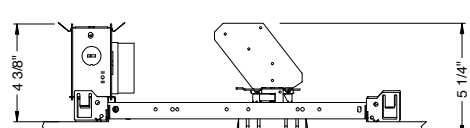
- 120V-277V, 120 only Triac / ELV
- Power factory ≥ 0.9
- 2kV driver input surge protection
- Remote emergency test switch
- 7W, 10W (T20 CEC) and 12W EM 90min battery
- Max. ambient installation temperature 95°F (35°C)

FIXTURE HEIGHT

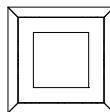
10LM - 30LM LOW LUMENS



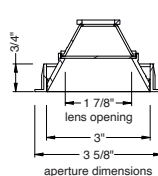
35LM - 40LM HIGH LUMENS



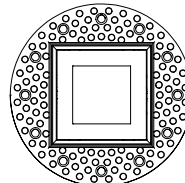
TRIMMED



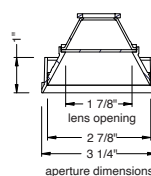
ceiling cutout
3-1/4" square
ceiling thickness
1/8" to 1-1/4"



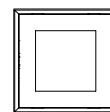
TRIMLESS



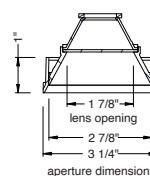
ceiling cutout
3-1/2" square
ceiling thickness
3/8" to 1-3/8"



MILLWORK



ceiling cutout
3-9/32" square
ceiling thickness
5/8" to 1-3/8"



alphabet

PROJECT INFORMATION		
JOB NAME		TYPE
ORDERING CODE		

60° - 80° BEAM ORDERING CODE																						
SERIES	NU3	NU3																				
TYPE	QD	square downlight																				
	QDT	square downlight trimless																				
	QDTMW	square downlight trimless millwork																				
LED	SW	standard white																				
DELIVERED LUMENS	10LM	855 lm																				
	15LM	1200 lm																				
	20LM	1600 lm																				
	25LM	2060 lm																				
	30LM	2450 lm																				
	35LM	2850 lm																				
	40LM	3190 lm																				
Standard Configuration: 3000K 80CRI WH80 Calculated Delivered Lumens = [Delivered Lumen Value] x [CCT Multiplier] x [Reflector Multiplier]																						
CCT	27K	2700K																				
	30K	3000K																				
	35K	3500K																				
	40K	4000K																				
<table border="1"> <thead> <tr> <th>CCT</th> <th>2700K</th> <th>3000K</th> <th>3500K</th> <th>4000K</th> </tr> </thead> <tbody> <tr> <td>CRI</td> <td>80+</td> <td>90+</td> <td>80+</td> <td>90+</td> </tr> <tr> <td>CCT MULTIPLIER FOR LUMEN OUTPUT</td> <td>0.96</td> <td>0.81</td> <td>1.00</td> <td>0.85</td> </tr> <tr> <td></td> <td>1.03</td> <td>0.88</td> <td>1.06</td> <td>0.91</td> </tr> </tbody> </table>			CCT	2700K	3000K	3500K	4000K	CRI	80+	90+	80+	90+	CCT MULTIPLIER FOR LUMEN OUTPUT	0.96	0.81	1.00	0.85		1.03	0.88	1.06	0.91
CCT	2700K	3000K	3500K	4000K																		
CRI	80+	90+	80+	90+																		
CCT MULTIPLIER FOR LUMEN OUTPUT	0.96	0.81	1.00	0.85																		
	1.03	0.88	1.06	0.91																		
CRI	80	80 CRI																				
	90	90 CRI																				
OPTIC & LM MULTIPLIER SEE PAGE 3	HE60	60° high efficiency diffused lens (0.98)																				
	HE80	80° high efficiency diffused lens (0.95)																				
	D70	70° diffused with clear lens (0.97)																				
	WH80	80° brilliant white with clear lens (1.00)																				
BEZEL LENS SEE PAGE 3	NL^{1,2}	no lens (1.00)																				
TRIM COLOR SEE PAGE 3	BK	black																				
	WH	white																				
	MC	matte chrome																				
	BZ	bronze																				
	WT	wheat																				
	CC³	custom color, consult factory for details																				
Antimicrobial finish, add AM to black, white or matte chrome i.e. BKAM.																						
Not applicable to trimless option. Do not include in trimless ordering code.																						
BEZEL COLOR SEE PAGE 3	BK	black (0.98)																				
	WH	white (1.00)																				
	MC	matte chrome (0.99)																				
	BZ	bronze (0.98)																				
	WT	wheat (0.99)																				
	CC³	custom color, consult factory for details																				
Antimicrobial finish, add AM to black, white or matte chrome i.e. BKAM.																						

60° - 80° BEAM ORDERING CODE		
MOUNTING OPTIONS SEE PAGE 5, 6	NC	new construction with ceiling fitting plate
	IC⁴	insulation contact housing
	ICAT⁴	insulation contact/airtight housing
	CP⁴	chicago plenum housing
	RET	retrofit, no ceiling fitting plate
VOLTAGE	120	120V
	UNV	120V-277V
DIMMING	DIM10	eldoLED flicker free 0-10V dimming to 1%
	DIM10Z	eldoLED flicker free 0-10V dimming to 0%
	DALI	eldoLED flicker free DALI dimming to 1%
	DALIZ	eldoLED flicker free DALI dimming to 0%
	DMXZ	DMX dim to zero
	LUTP⁵	Lutron Hi-lume Premier Ecosystem dimming to 0.1%, Soft-on & Fade-to-Black
	ELV1⁶	leading & trailing edge (Triac/ELV) dimming to 1%
NLT	nLight control interface: standard Cat-5/RJ45 connection (female), dim to off	
CAS	CAS	Casambi Bluetooth control with flicker free 1% dimming
	AWN⁷	lutron athena wireless node
ELECTRICAL OPTIONS	EM7	emergency battery backup, 90 minutes at 7W to LED
	EM12	emergency battery backup, 90 minutes at 12W to LED
	EM10CA20	remote emergency battery backup, 90 minutes at 10W to LED, CA title 20

ADDITIONAL MOUNTING INFO	
New Construction Bar Hangers (included)	Mounting Length: 14-3/4" to 26"
Extension Kit p/n: K20266 (ordered separately, 1 per fixture)	Extends a pair of Bar Hangers Total Mounting Length: 29" to 48"

YOUR COMPLETED ORDERING CODE
Follow the steps to specify your fixture, example:
NU3 - QD - SW - 20LM - 30K - 90 - HE60 - WH - WH - NC - UNV - DIM10 - EM7

NOTES

- NL option available in D70/WH80.
- NL option does not meet requirement for AT/DF/WET/NSF listings.
- Custom set up fee plus minimum quantity required per color.
- IC/ICAT/CP not available in 35LM/40LM.
- LUTP not available in 25LM/30LM/35LM/40LM.
- ELV1 (120V input) not available in 10LM.
- AWN reference page 8 for product specifications on Athena wireless node.

* EldoLED uses logarithmic dimming curve as standard. For linear dimming curve, add "LIN" after dimming code, i.e. DIM10LIN.

alphabet

PROJECT INFORMATION		
JOB NAME		TYPE
ORDERING CODE		

TRIM OPTIONS

TRIM/BEZEL COLORS



OPTICAL OPTIONS

- Calculations based on 15LM fixtures, SA bezel, unless otherwise noted
- UGR calculation based on CIE 117-1995; room size: 4H X 8H, reflectance: 70/50/20;



CL
Clear Lens

OPTIC	BEAM ANGLE	UGR
D70	65	20.9
WH80	73	23.8



DL
Diffused Lens

OPTIC	BEAM ANGLE	UGR
HE60	64	22.6
HE80	78	24.7

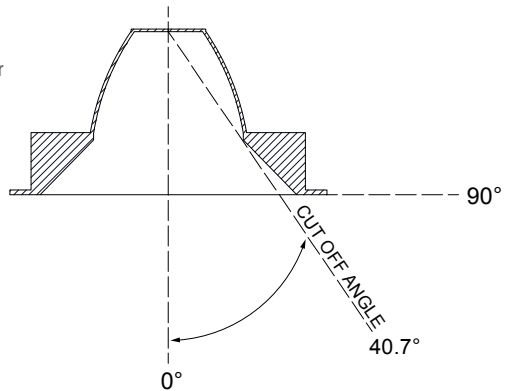
GLARE CONTROL

CUT-OFF ANGLE

Visual comfort is achieved with a lower cut-off angle due to improved glare control. The smaller the cut-off angle, the easier it is on the eye.

Alphabet downlights have been thoughtfully engineered to eliminate glare while still delivering functional illumination.

- Cutoff angle is 40.7° degrees;



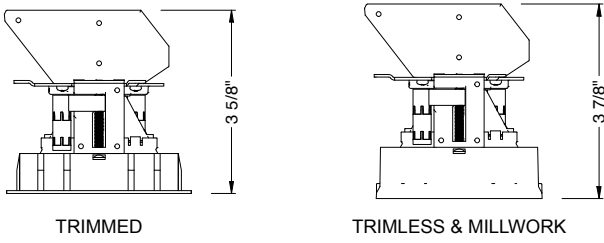
alphabet

PROJECT INFORMATION		
JOB NAME	TYPE	
ORDERING CODE		

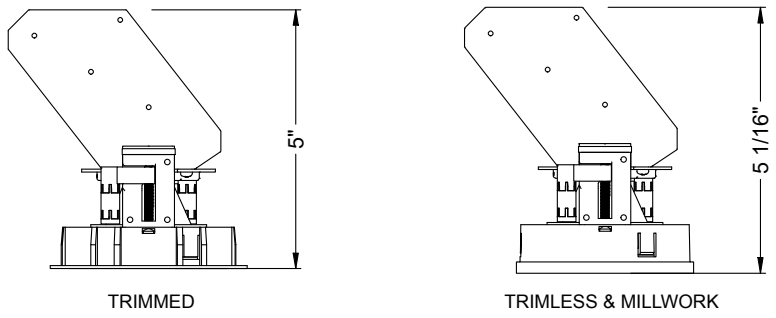
MOUNTING OPTIONS

FIXTURE HEIGHT

10LM - 30LM CONFIGURATION

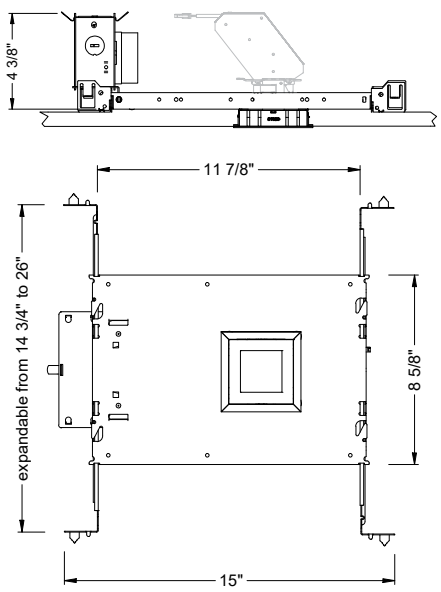


35LM - 40LM CONFIGURATION

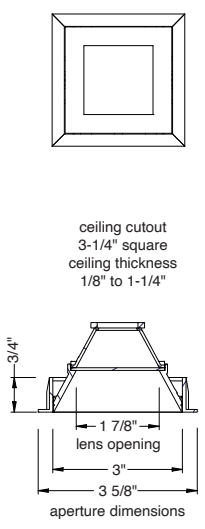


NC - NEW CONSTRUCTION

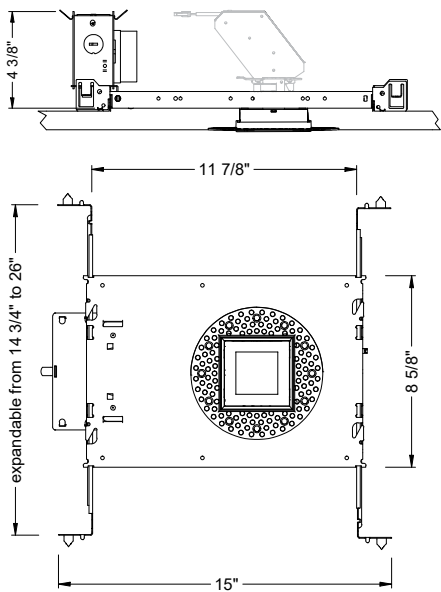
TRIM



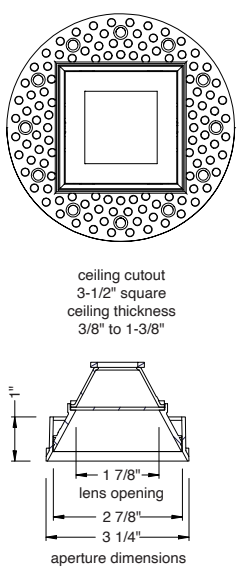
TRIM



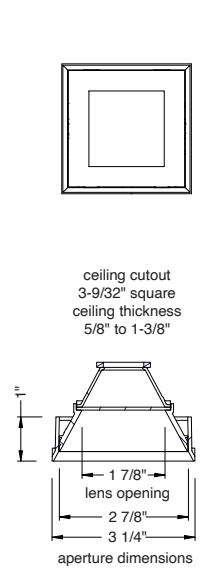
TRIMLESS



TRIMLESS



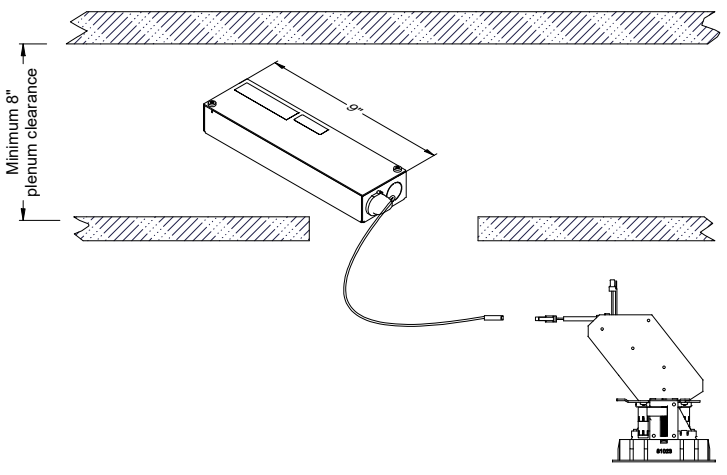
TRIMLESS/MILLWORK



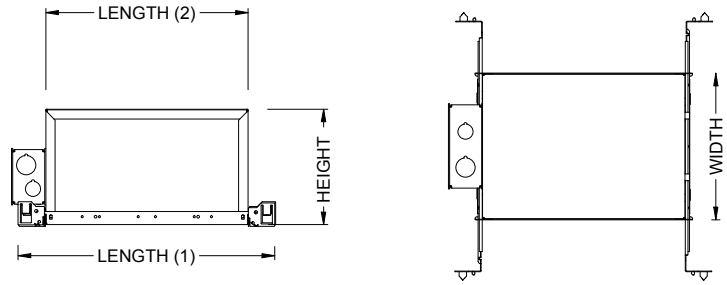
PROJECT INFORMATION		
JOB NAME		TYPE
ORDERING CODE		

MOUNTING OPTIONS (CONTINUED)

RET - RETRO TRIM/TRIMLESS



IC - INSULATION CONTACT HOUSING ICAT - INSULATION CONTACT / AIR TIGHT CP - CHICAGO PLENUM



RATINGS / CERTIFICATIONS	NC	RET	IC	ICAT	CP
TYPE NON-IC	✓	✓			
TYPE IC			✓	✓	✓
CHICAGO PLENUM (CEA)					✓
SUITABLE FOR AIR HANDLING PLENUMS				✓	✓
REDUCED AIRFLOW (WITH LENS) ASTM E283	✓	✓	✓	✓	✓

BOX SIZE	L 1	L 2	W	H
A	15 - 7/16"	11 - 3/4"	8 - 1/2"	6 - 3/4"
B	18 - 1/4"	14 - 7/8"	12 - 1/8"	11 - 1/4"

CEILING THICKNESS	
FIXTURE TYPE	MOUNTING TYPE
	STANDARD CEILING THICKNESS
TRIM	1/8" to 1-1/4"
TRIMLESS	3/8" to 1-3/8"
MILLWORK (TRIMLESS)	5/8" to 1-3/8"

BOX TYPE / LUMEN OUTPUT - STANDARD BEAMS						
LUMEN OUTPUT	BOX - A			BOX - B		
	IC	ICAT	CP	IC	ICAT	CP
10LM	✓	✓	✓			
15LM	✓	✓	✓			
20LM	✓	✓	✓			
25LM	✓	✓	✓			
30LM				✓	✓	✓
35LM				✓	✓	✓
40LM						

PROJECT INFORMATION		
JOB NAME		TYPE
ORDERING CODE		

BATTERY OPTIONS

EMERGENCY BATTERY

IOTA's ILB Battery Backups are UL Listed LED emergency drivers that allow the same LED fixture to be used for both normal and emergency operation. In the event of a power failure, the ILB switches to the emergency mode and operates the existing fixture for 90 minutes. The unit contains a battery, charger, and converter circuit in a single can. The Constant Power design of the ILB maintains the output wattage to the LED array even as the system voltage diminishes. UL 924 Listed for U.S. and Canada. UL 1310 Certified, Output Class 2 Compliant. Includes single-piece TBTS test switch and charge indicator accessory kit. For use with switched and unswitched fixtures, and includes Two-wire universal AC input. Meets or exceeds all National Electric Code and Life Safety Code Emergency Lighting Requirements. Rated for use in Plenum, Damp Location, Recessed Type IC, and Enclosed and Gasketed Luminaires.

REMOTE TEST SWITCH

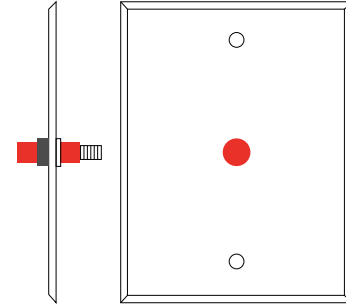
The Remote Test Switch may be mounted adjacent to the LED Fixture by others.

EMERGENCY BATTERY ACCESS

Above ceiling access is required for service. An access panel in the ceiling (or other form of access) adjacent to the installation location of the Emergency Battery is required.

REMOTE LOCATION

Maximum remote mounting distance of the emergency driver shall be 50 feet. Remote location wiring provided by others. Follow all Local and National Electric/Building Codes.

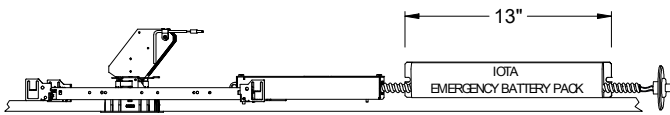


Remote Test Switch

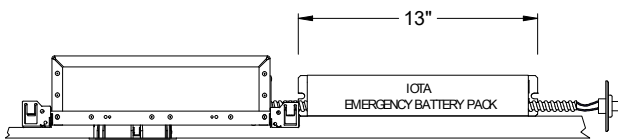
EM MODE OUTPUT (DELIVERED LUMENS)			
LUMEN ORDERING CODE	EM7	EM10	EM12
ALL OPTIONS (10LM TO 30LM)	600LM	855LM	1025LM

Notes: Based on 30K, 80CRI

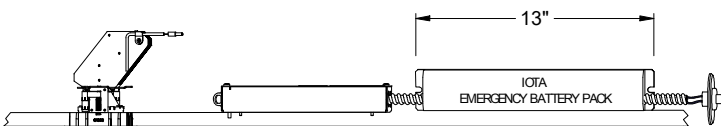
NC - NEW CONSTRUCTION WITH EM BATTERY (REMOTE TEST SWITCH)



IC / ICAT / CP - INSULATION CONTACT HOUSING WITH EM BATTERY (REMOTE TEST SWITCH)

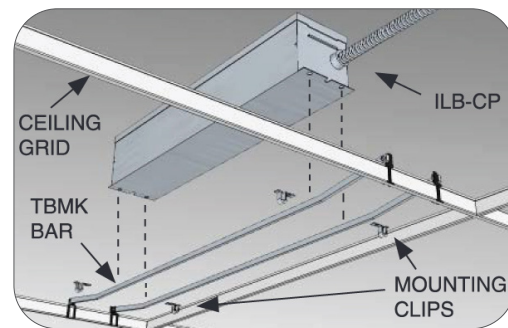


RET - RETROFIT WITH EM BATTERY (REMOTE TEST SWITCH)



Accessory

76066 Optional T-Grid Mounting Kit²



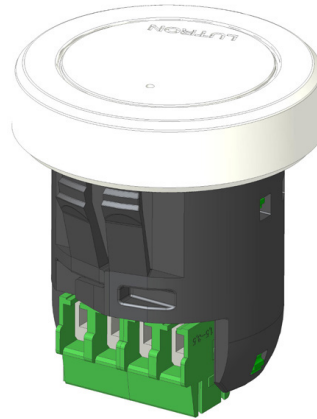
2. Can be used with any of the Emergency Battery Backups. Must be ordered as a separate line item.

PROJECT INFORMATION		
JOB NAME		TYPE
ORDERING CODE		

AWNRR OPTIONS

Athena Wireless Node

The Athena wireless node is a radio frequency (RF) device that enables simple, digital control of individual light fixtures in an Athena control system.



Athena Wireless Node RF

AWNRR

Plenum rated and can be installed above the ceiling for wireless control of a fixture without any impact on fixture aesthetics.

FEATURES

- Enables individual, wireless control of each fixture in an Athena control system. Accommodates zone and control changes without rewiring.
- Installed at factory – no wiring required on-site. Fixture is ready to communicate wirelessly once power is connected.
- All drivers on the link are controlled as a single zone.

REGULATORY APPROVALS

- cULus Listed (UL916)
- Complies with requirements for use in other spaces used for environmental air (plenums) per NEC® 2014 300.22(C)(3).
- FCC compliant with the limits for a Class B digital device.
- IC (Industry Canada)
- ANSI C137.1 0-10 V- Electronic Off

POWER / LOAD

- IEC SELV/NEC® Class 2
- 1 Watt

ENVIRONMENTAL

- Ambient operating temperature (immediate vicinity of Athena wireless node): **32 °F to 131 °F** (0 °C to 55 °C), 0% to 90% humidity.

BATTERY OPTIONS

- For EM options please consult factory.

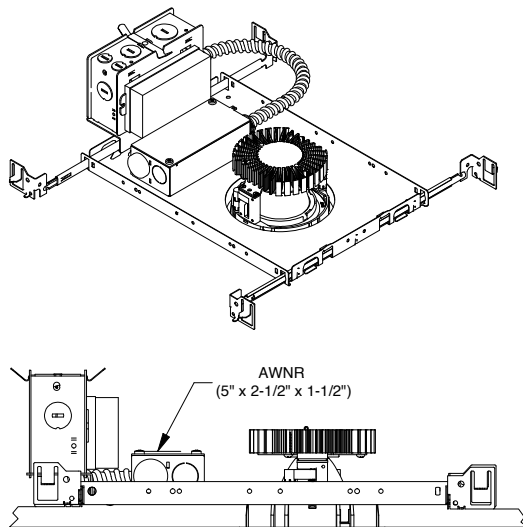
Note: Default behavior prior to programming

- Light level 100%
- Athena wireless node performs an unprogrammed startup sequence on every power up until the device is added to an Athena system.
- Each Athena wireless node should be installed within 25 ft (7.62 m) of two or more Athena wireless nodes or other Clear Connect – Type X devices.
- For Chicago plenum installations, the Athena wireless node may not be installed in the plenum space. It must be installed in the occupied space.

For servicing the driver/j-box, access above ceiling is required. (NC Mounting)

IC/ICAT/CP not available in AAWNRR.

NC - NEW CONSTRUCTION



RET - RETRO FIT

