

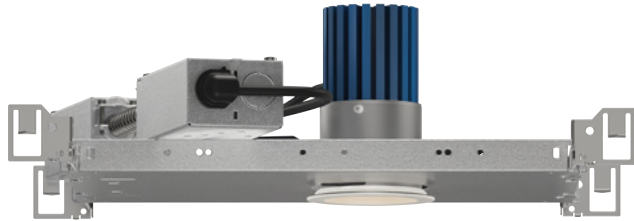
PROJECT INFORMATION		
JOB NAME		TYPE
ORDERING CODE		

NU2

2" Round Wall Wash Warm Dim



WW BEAM		
(Note: Specifications are subject to change without notice)		
14mm COB PERFORMANCE DATA		
LED LIGHT ENGINE	NOMINAL DELIVERED LUMENS	SYSTEM WATTAGE
15LM	1180LM @30K/97CRI	21W
Notes	Delivered lumens based on WW optic (see page 2)	



Trim

FEATURES

- An asymmetric reflector with highly efficient BrightView angle bending lens produces excellent wall washing with no scalloping
- 4" set back with 6' on center spacing - 15 FC average
- 1/4" bezel regress with 3/32" micro flange
- UGR < 17
- Glare control, specialty optics, trim options, and custom finishes available
- Microban[®] antimicrobial finish available on all exposed painted surfaces

LED

- LED - Luminus Dim-to-warm COB:
- 97 CRI: SDCM = 3-step MacAdam Ellipse; Lumen Maintenance: L₇₀ > 54,000 hrs

DIMMING AND CONTROLS

- eldoLED flicker free 0-10V dimming to 0% and 1%
- eldoLED flicker free DALI dimming to 0% and 1%
- Lutron Hi-lumen 2-Wire (Eco System) dimming to 0.1% and 1%
- Leading & trailing edge (Triac/ELV) dimming to 1%
- Casambi bluetooth dimming to 1.0%

LISTING

- ULus Listed to UL1598 & UL2108; cUL Listed to CSA C22.2 #250.0
- IP65 with lens - Suitable for wet locations with lens
- NSF/ANSI-2 with lens (Non-Food and Splash Zones)
- 5 Year Limited warranty

CONSTRUCTION

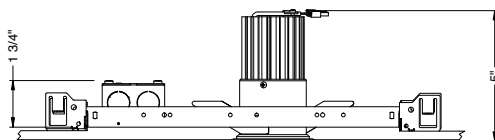
- High-grade die-cast and cold forged aluminum alloy assembly that has superior thermal and corrosion resistance properties
- Shatter proof acrylic bezel lens
- Electrocoated 16-gauge cold-rolled steel construction
- Accommodates ceiling thickness from 1/2" to 1-1/4"

ELECTRICAL

- 120V-277V, 120 only Triac / ELV
- Power factor ≥ 0.9
- 2kV driver input surge protection
- Remote emergency test switch
- 7W, 10W (T20 CEC) and 12W EM 90min battery
- Max. ambient installation temperature 95°F (35°C)

FIXTURE HEIGHT

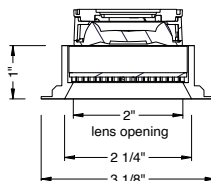
10LM - 20LM LUMEN OUTPUT



TRIMMED



ceiling cutout
2-7/8" diameter
ceiling thickness
1/2" to 1-1/4"



alphabet

PROJECT INFORMATION		
JOB NAME		TYPE
ORDERING CODE		

ORDERING CODE		
SERIES	NU2	NU2
TYPE	RW	round wall wash
LED	WD	warm dim (Luminus)
DELIVERED LUMENS	15LM	1180 lm
	Standard Configuration: 3000K 97CRI WW Calculated Delivered Lumens = [Delivered Lumen Value] x [CCT Multiplier] x [Reflector Multiplier]	
CCT	3018	3000K, dim to 1800K
		CCT at Light Level (%LF)
		%LF 15LM
		100% 3000
		50% 3000
25% 2500		
10% 2000		
5% 1800		
CRI	97	97 CRI
OPTIC & LM MULTIPLIER SEE PAGE 3	WW	wall wash
BEZEL COLOR	BK	black (0.98)
	WH	white (1.00)
	MC	matte chrome (0.99)
	BZ	bronze (0.98)
	WT	wheat (0.99)
	CC¹	custom color, consult factory for details
Antimicrobial finish, add AM to black, white or matte chrome i.e. BKAM.		

ORDERING CODE		
MOUNTING OPTIONS SEE PAGE 4, 5	NC	new construction with ceiling fitting plate
	IC	insulation contact housing
	ICAT	insulation contact/airtight housing
	CP	chicago plenum housing
	RET	retrofit, no ceiling fitting plate
VOLTAGE	120	120V
	UNV	120V-277V
DIMMING	DIM10	eldoLED flicker free 0-10V dimming to 1%
	DIM10Z	eldoLED flicker free 0-10V dimming to 0%
	DALI	eldoLED flicker free DALI dimming to 1%
	DALIZ	eldoLED flicker free DALI dimming to 0%
	LUTP	Lutron Hi-lume Premier Ecosystem dimming to 0.1%, Soft-on & Fade-to-Black
	ELV1²	leading & trailing edge (Triac/ELV) dimming to 1%
	CAS	Casambi Bluetooth control with flicker free 1% dimming
ELECTRICAL OPTIONS	EM7	emergency battery backup, 90 minutes at 7W to LED
	EM12	emergency battery backup, 90 minutes at 12W to LED
	EM10CA20	emergency battery backup, 90 minutes at 10W to LED, CA title 20

ADDITIONAL MOUNTING INFO	
New Construction Bar Hangers (included)	Mounting Length: 14-3/4" to 26"
Extension Kit p/n: K20266 (ordered separately, 1 per fixture)	Extends a pair of Bar Hangers Total Mounting Length: 29" to 48"

YOUR COMPLETED ORDERING CODE
Follow the steps to specify your fixture, example:
NU2 - RW - WD - 15LM - 3018 - 97 - WW - WH - NC - UNV - DIM10

NOTES

1. Custom set up fee plus minimum quantity required per color.
2. ELV1 (120V) not available in 10LM.

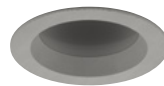
* EldoLED uses logarithmic dimming curve as standard. For linear dimming curve, add "LIN" after dimming code, i.e. DIM10LIN.

TRIM OPTIONS

TRIM/BEZEL COLORS



WH



MC



BK



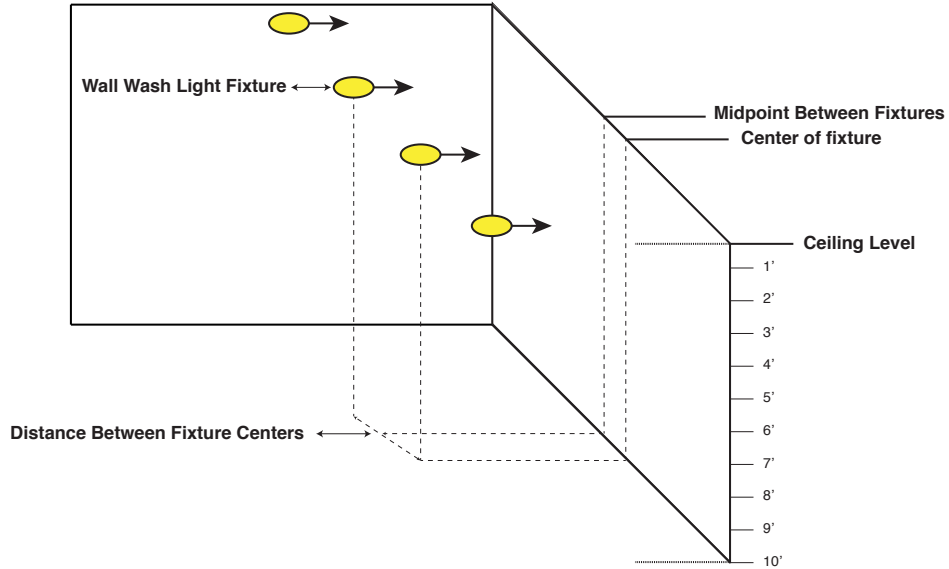
BZ



WT

PROJECT INFORMATION		
JOB NAME		TYPE
ORDERING CODE		

PHOTOMETRIC DATA DIAGRAM



PHOTOMETRIC DATA CHARTS

FOOT CANDLE MEASUREMENT

WARM DIM WALL WASH 15LM, 97CRI, 3000K

Mounting Distance	2' from wall						3' from wall						4' from wall					
	2' on center		3' on center		4' on center		2' on center		3' on center		4' on center		3' on center		4' on center		6' on center	
Distance from Ceiling	Center	Mid Point	Center	Mid Point	Center	Mid Point	Center	Mid Point	Center	Mid Point	Center	Mid Point	Center	Mid Point	Center	Mid Point	Center	Mid Point
1'	16	12.6	13.6	6.7	12.7	3.9	5.2	5.3	3.9	3.6	3.2	2.6	2.1	2.1	1.7	1.6	1.3	0.9
2'	65.6	59.8	57.5	26.8	56.1	10.4	19.1	18.3	15.4	10.6	14.3	5.8	4.7	4.4	4	3.1	3.4	1.7
3'	62.9	62.4	45.5	39.1	42.2	21.9	40.6	40.8	29.2	26.6	26.1	15.9	13.2	12.5	11.3	8.3	10.3	3.2
4'	45.4	45.4	31.3	30.5	26.2	21	42.9	43.3	29.7	29.7	23.9	21.1	20.5	20.7	16.4	15	14.4	6.7
5'	30.7	31.4	21.7	21.6	17.1	16	35.4	36.5	25.5	25.2	19.5	18.9	22.2	22.4	17	17	13.5	9.4
6'	21	21.5	15.2	15.4	11.9	11.7	27.2	28.2	20.2	20.2	15.5	15.3	20.3	20.5	15.7	15.6	11.4	9.8
7'	14.7	15	10.9	11.1	8.6	8.6	20.5	21.2	15.6	15.8	12.1	12.1	17.2	17.6	13.6	13.5	9.4	8.9
8'	10.5	10.7	8.1	8.3	6.4	6.5	15.4	15.9	12	12.3	9.5	9.6	14.1	14.6	11.3	11.4	7.8	7.6
9'	7.7	7.8	6.1	6.2	4.9	5	11.6	12	9.3	9.6	7.5	7.6	11.5	11.9	9.3	9.5	6.5	6.4
10'	5.7	5.9	4.7	4.8	3.8	3.9	8.9	9.2	7.3	7.5	6	6.1	9.3	9.7	7.7	7.8	5.4	5.4

NOTE

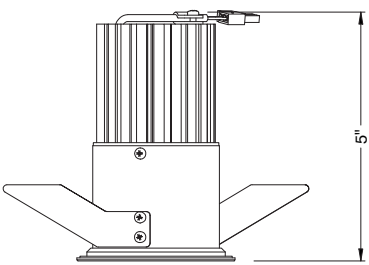
1. Performance based on typical reflectance values and room dimensions. IES files available at ledrbrands.com

alphabet

PROJECT INFORMATION		
JOB NAME		TYPE
ORDERING CODE		

MOUNTING OPTIONS

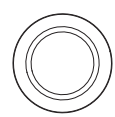
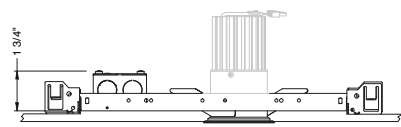
FIXTURE HEIGHT



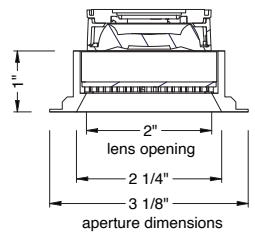
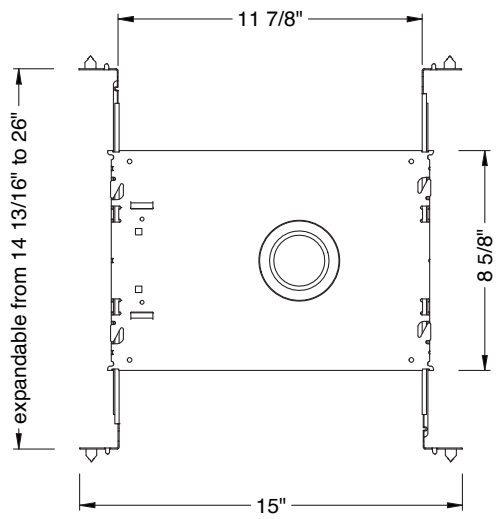
NC - NEW CONSTRUCTION

TRIM

TRIM



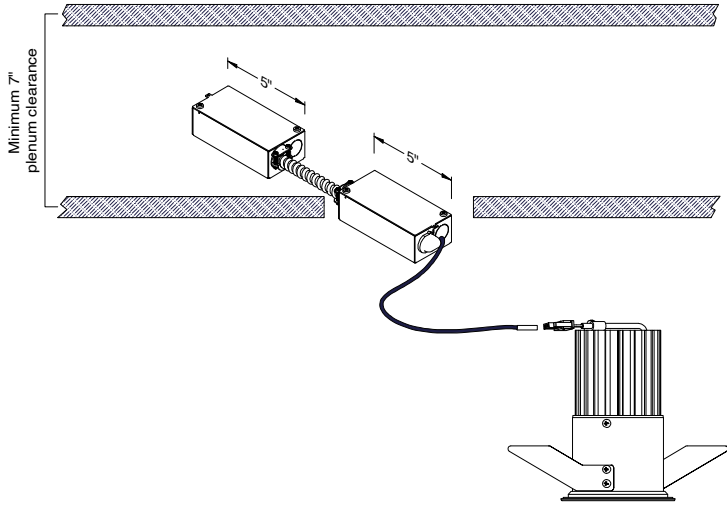
ceiling cutout
 2-7/8" diameter
 ceiling thickness
 1/2" to 1-1/4"



PROJECT INFORMATION		
JOB NAME		TYPE
ORDERING CODE		

MOUNTING OPTIONS

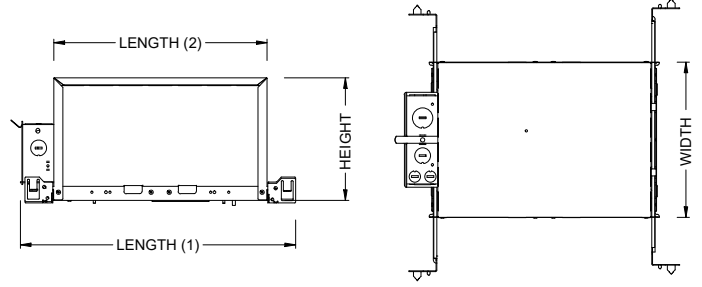
RET - RETRO TRIM/TRIMLESS



RATINGS / CERTIFICATIONS	NC	RET	IC	ICAT	CP
TYPE NON-IC	✓	✓			
TYPE IC			✓	✓	✓
CHICAGO PLENUM (CCEA)					✓
SUITABLE FOR AIR HANDLING PLENUMS	✓	✓	✓	✓	✓
REDUCED AIRFLOW (WITH LENS) ASTM E283	✓	✓	✓	✓	✓

CEILING THICKNESS	
FIXTURE TYPE	MOUNTING TYPE
	STANDARD CEILING THICKNESS
TRIM	1/2" to 1-1/4"

IC - INSULATION CONTACT HOUSING ICAT - INSULATION CONTACT / AIR TIGHT CP - CHICAGO PLENUM



BOX SIZE	L1	L2	W	H
A	15 - 7/16"	11 - 3/4"	8 - 1/2"	6 - 3/4"

BOX TYPE / LUMEN OUTPUT - WW BEAM)			
LUMEN OUTPUT	BOX-A		
	CP	IC	ICAT
15LM	✓	✓	✓

PROJECT INFORMATION		
JOB NAME		TYPE
ORDERING CODE		

BATTERY OPTIONS

EMERGENCY BATTERY

IOTA's ILB Battery Backups are UL Listed LED emergency drivers that allow the same LED fixture to be used for both normal and emergency operation. In the event of a power failure, the ILB switches to the emergency mode and operates the existing fixture for 90 minutes. The unit contains a battery, charger, and converter circuit in a single can. The Constant Power design of the ILB maintains the output wattage to the LED array even as the system voltage diminishes. UL 924 Listed for U.S. and Canada. UL 1310 Certified, Output Class 2 Compliant. Includes single-piece TBTS test switch and charge indicator accessory kit. For use with switched and unswitched fixtures, and includes Two-wire universal AC input. Meets or exceeds all National Electric Code and Life Safety Code Emergency Lighting Requirements. Rated for use in Plenum, Damp Location, Recessed Type IC, and Enclosed and Gasketed Luminaires.

REMOTE TEST SWITCH

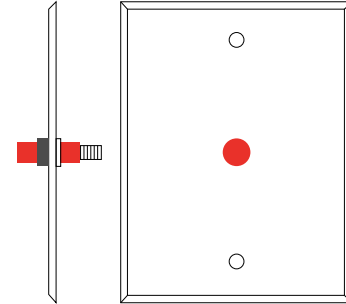
The Remote Test Switch may be mounted adjacent to the LED Fixture by others.

EMERGENCY BATTERY ACCESS

Above ceiling access is recommended for ease of service, but LED Fixture Sizes of 4" and Larger are capable of below ceiling access. IC/ICAT/CP Box and ITS option require an access panel in the ceiling (or other form of access) adjacent to the installation location of the Emergency Battery.

REMOTE LOCATION

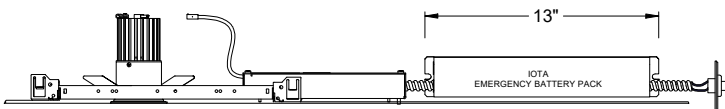
Maximum remote mounting distance of the emergency driver shall be 50 feet. Remote location wiring provided by others. Follow all Local and National Electric/Building Codes.



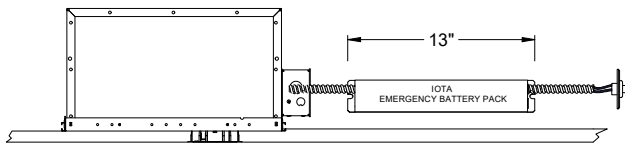
Remote Test Switch

EM MODE OUTPUT (DELIVERED LUMENS)			
LUMEN ORDERING CODE	EM7	EM10	EM12
ALL OPTIONS (15LM)	777LM	1110LM	1330LM
Notes: Based on 30K, 97CRI			

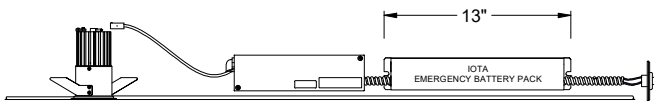
NC - NEW CONSTRUCTION WITH EM BATTERY (REMOTE TEST SWITCH)



IC / ICAT / CP - INSULATION CONTACT HOUSING WITH EM BATTERY (REMOTE TEST SWITCH)

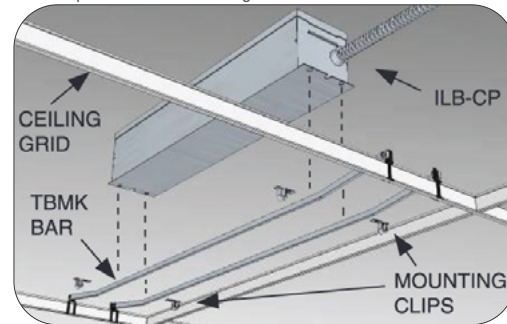


RET - RETROFIT WITH EM BATTERY (REMOTE TEST SWITCH)



Accessory

76066 Optional T-Grid Mounting Kit[†]



1. Can be used with any of the Emergency Battery Backups. Must be ordered as a separate line item.