

# alphabet

PROJECT INFORMATION		
JOB NAME		TYPE
ORDERING CODE		

## NU2

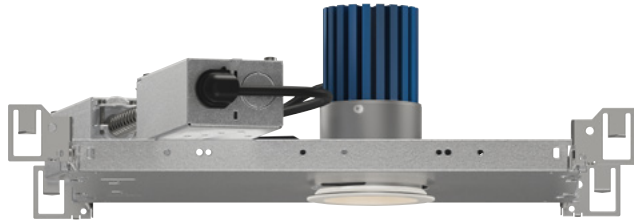
### 2" Round Wall Wash Tunable White



WW BEAM		
(Note: Specifications are subject to change without notice)		
14mm COB PERFORMANCE DATA		
LED LIGHT ENGINE	NOMINAL DELIVERED LUMENS	SYSTEM WATTAGE
10LM	920LM @35K/95CRI	20W
Notes	Delivered lumens based on WW optic (see page 2)	



CASAMBI



Trim

#### FEATURES

- An asymmetric reflector with highly efficient BrightView angle bending lens produces excellent wall washing with no scalloping
- 4" set back with 6' on center spacing - 15 FC average
- 1/4" bezel regress with 3/32" micro flange
- UGR < 17
- Glare control, specialty optics, trim options, and custom finishes available
- Microban<sup>®</sup> antimicrobial finish available on all exposed painted surfaces

#### LED

- Luminus tunable white COB: 95 CRI, R9 > 70: SDCM = 4-step MacAdam Ellipse; Lumen Maintenance: L<sub>70</sub> > 54,000 hrs
- Nichia tunable white COB: 80 CRI, R9 > 0: SDCM = 3-step MacAdam Ellipse; Lumen Maintenance: L90 > 33,000 hrs

#### DIMMING AND CONTROLS

- eldoLED flicker free 0-10V dimming to 0% and 1%
- eldoLED flicker free DALI dimming to 0% and 1%
- Leading & trailing edge (Triac/ELV) dimming to 1%
- Casambi bluetooth dimming to 0%

#### LISTING

- ULus Listed to UL1598 & UL2108; cUL Listed to CSA C22.2 #250.0
- IP65 with lens - Suitable for wet locations with lens
- NSF/ANSI-2 with lens (Non-Food and Splash Zones)
- 5 Year Limited warranty

#### CONSTRUCTION

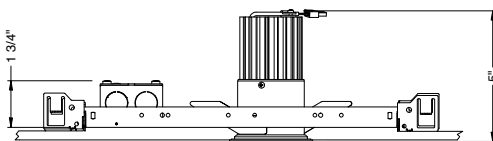
- High-grade die-cast and cold forged aluminum alloy assembly that has superior thermal and corrosion resistance properties
- Shatter proof acrylic bezel lens
- Electrocoated 16-gauge cold-rolled steel construction
- Accommodates ceiling thickness from 1/2" to 1-1/4"

#### ELECTRICAL

- 120V-277V, 120 only Triac / ELV
- Power factor ≥ 0.9
- 2kV driver input surge protection
- Max. ambient installation temperature 95°F (35°C)

#### FIXTURE HEIGHT

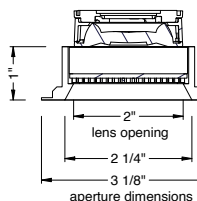
10LM - 20LM LUMEN OUTPUT



#### TRIMMED



ceiling cutout  
2-7/8" diameter  
ceiling thickness  
1/2" to 1-1/4"



# alphabet

PROJECT INFORMATION		
JOB NAME		TYPE
ORDERING CODE		

ORDERING CODE																									
<b>SERIES</b>	<b>NU2</b>	NU2																							
<b>TYPE</b>	<b>RW</b>	round wall wash																							
<b>LED</b>	<b>TW</b>	tunable white (Luminus)																							
<b>DELIVERED LUMENS</b>	<b>10LM</b>	920 lm																							
	Standard Configuration: 3000K 95CRI WW Calculated Delivered Lumens = [Delivered Lumen Value] x [CCT Multiplier] x [Reflector Multiplier]																								
<b>CCT</b>	<b>1840</b>	1800K to 4000K tunable white																							
		<table border="1"> <thead> <tr> <th>CCT</th> <th>2700K</th> <th>3000K</th> <th>3500K</th> <th>4000K</th> <th>5000K</th> <th>5700K</th> <th>6500K</th> </tr> </thead> <tbody> <tr> <td>CCT MULTIPLIER FOR LUMEN OUTPUT</td> <td>0.91</td> <td>0.98</td> <td>1</td> <td>0.99</td> <td>1</td> <td>1.01</td> <td>1.02</td> </tr> <tr> <td>EML RATIO</td> <td>0.49</td> <td>0.57</td> <td>0.68</td> <td>0.79</td> <td>0.96</td> <td>1.04</td> <td>1.12</td> </tr> </tbody> </table>	CCT	2700K	3000K	3500K	4000K	5000K	5700K	6500K	CCT MULTIPLIER FOR LUMEN OUTPUT	0.91	0.98	1	0.99	1	1.01	1.02	EML RATIO	0.49	0.57	0.68	0.79	0.96	1.04
	CCT	2700K	3000K	3500K	4000K	5000K	5700K	6500K																	
	CCT MULTIPLIER FOR LUMEN OUTPUT	0.91	0.98	1	0.99	1	1.01	1.02																	
EML RATIO	0.49	0.57	0.68	0.79	0.96	1.04	1.12																		
<b>2765</b>	2700K to 6500K tunable white																								
	<table border="1"> <thead> <tr> <th>CCT</th> <th>1800K</th> <th>2000K</th> <th>2400K</th> <th>2700K</th> <th>3000K</th> <th>3500K</th> <th>4000K</th> </tr> </thead> <tbody> <tr> <td>CCT MULTIPLIER FOR LUMEN OUTPUT</td> <td>0.67</td> <td>0.74</td> <td>0.8</td> <td>0.85</td> <td>0.88</td> <td>0.95</td> <td>1.01</td> </tr> <tr> <td>EML RATIO</td> <td>0.21</td> <td>0.33</td> <td>0.46</td> <td>0.53</td> <td>0.59</td> <td>0.67</td> <td>0.73</td> </tr> </tbody> </table>	CCT	1800K	2000K	2400K	2700K	3000K	3500K	4000K	CCT MULTIPLIER FOR LUMEN OUTPUT	0.67	0.74	0.8	0.85	0.88	0.95	1.01	EML RATIO	0.21	0.33	0.46	0.53	0.59	0.67	0.73
CCT	1800K	2000K	2400K	2700K	3000K	3500K	4000K																		
CCT MULTIPLIER FOR LUMEN OUTPUT	0.67	0.74	0.8	0.85	0.88	0.95	1.01																		
EML RATIO	0.21	0.33	0.46	0.53	0.59	0.67	0.73																		
<b>CRI</b>	<b>95</b>	95 typical, 90 minimum																							
<b>OPTIC &amp; LM MULTIPLIER</b> SEE PAGE 4	<b>WW</b>	wall wash																							
<b>BEZEL COLOR</b>	<b>BK</b>	black (0.98)																							
	<b>WH</b>	white (1.00)																							
	<b>MC</b>	matte chrome (0.99)																							
	<b>BZ</b>	bronze (0.98)																							
	<b>WT</b>	wheat (0.99)																							
	<b>CC<sup>1</sup></b>	custom color, consult factory for details																							
Antimicrobial finish, add <b>AM</b> to black, white or matte chrome i.e. BKAM.																									

ORDERING CODE		
<b>MOUNTING OPTIONS</b> SEE PAGE 5	<b>NC</b>	new construction with ceiling fitting plate,
	<b>RET</b>	retrofit, no ceiling fitting plate,
<b>VOLTAGE</b>	<b>120</b>	120V
	<b>UNV</b>	120V-277V
<b>DIMMING</b>	<b>DIM10Z<sup>2</sup></b>	eldoLED flicker free 0-10V dimming to 0%
	<b>DALIZ</b>	eldoLED flicker free DALI dimming to 0%
	<b>CASZ</b>	Casambi Bluetooth dim to zero

ADDITIONAL MOUNTING INFO	
New Construction Bar Hangers (included)	Mounting Length: 14-3/4" to 26"
Extension Kit p/n: K20266 (ordered separately, 1 per fixture)	Extends a pair of Bar Hangers Total Mounting Length: 29" to 48"

YOUR COMPLETED ORDERING CODE
Follow the steps to specify your fixture, example:
<b>NU2 - RW - TW - 15LM - 2765 - 95 - WW - WH - NC - UNV - DIM10Z</b>

## NOTES

1. Custom set up fee plus minimum quantity required per color.
2. Requires 2 wall controllers (see wiring diagram).

\* EML = equivalent melanopic lux. To calculate EML, multiply the measured photopic lux by the EML ratio for the given CCT. Example: 254 lux x 0.79 = 200 melanopic lux at 4000K.

\* EldoLED uses logarithmic dimming curve as standard. For linear dimming curve, add "LIN" after dimming code, i.e. DIM10LIN.

# alphabet

PROJECT INFORMATION		
JOB NAME		TYPE
ORDERING CODE		

ORDERING CODE														
<b>SERIES</b>	<b>NU2</b>	NU2												
<b>TYPE</b>	<b>RW</b>	round wall wash												
<b>LED</b>	<b>TW</b>	tunable white (Nichia)												
<b>DELIVERED LUMENS</b>	<b>15LM</b>	1250 lm												
		Standard Configuration: 3500K 80CRI WW Calculated Delivered Lumens = [Delivered Lumen Value] x [CCT Multiplier] x [Reflector Multiplier]												
<b>CCT</b>	<b>2750</b>	2700K to 5000K tunable white												
		<table border="1"> <thead> <tr> <th>CCT</th> <th>2700K</th> <th>3000K</th> <th>3500K</th> <th>4000K</th> <th>5000K</th> </tr> </thead> <tbody> <tr> <td>EML RATIO</td> <td>0.43</td> <td>0.51</td> <td>0.63</td> <td>0.69</td> <td>0.8</td> </tr> </tbody> </table>	CCT	2700K	3000K	3500K	4000K	5000K	EML RATIO	0.43	0.51	0.63	0.69	0.8
CCT	2700K	3000K	3500K	4000K	5000K									
EML RATIO	0.43	0.51	0.63	0.69	0.8									
<b>CRI</b>	<b>80</b>	80 CRI												
<b>OPTIC &amp; LM MULTIPLIER</b> SEE PAGE 4	<b>WW</b>	wall wash												
<b>BEZEL COLOR</b>	<b>BK</b>	black (0.98)												
	<b>WH</b>	white (1.00)												
	<b>MC</b>	matte chrome (0.99)												
	<b>BZ</b>	bronze (0.98)												
	<b>WT</b>	wheat (0.99)												
	<b>CC<sup>1</sup></b>	custom color, consult factory for details												
		Antimicrobial finish, add <b>AM</b> to black, white or matte chrome i.e. BKAM.												

ORDERING CODE		
<b>MOUNTING OPTIONS</b> SEE PAGE 5	<b>NC</b>	new construction with ceiling fitting plate
	<b>RET</b>	retrofit, no ceiling fitting plate
<b>VOLTAGE</b>	<b>120</b>	120V
	<b>UNV</b>	120V-277V
<b>DIMMING</b>	<b>DIM10Z<sup>2</sup></b>	eldoLED flicker free 0-10V dimming to 0%
	<b>DALIZ</b>	eldoLED flicker free DALI dimming to 0%
	<b>CASZ</b>	Casambi Bluetooth dim to zero

ADDITIONAL MOUNTING INFO	
New Construction Bar Hangers (included)	Mounting Length: 14-3/4" to 26"
Extension Kit p/n: K20266 (ordered separately, 1 per fixture)	Extends a pair of Bar Hangers Total Mounting Length: 29" to 48"

YOUR COMPLETED ORDERING CODE
Follow the steps to specify your fixture, example:
<b>NU2 - RW - TW - 2750 - 80 - WW - WH - NC - UNV - DIM10Z</b>

## NOTES

1. Custom set up fee plus minimum quantity required per color.
2. Requires 2 wall controllers (see wiring diagram).

\* EML = equivalent melanopic lux. To calculate EML, multiply the measured photopic lux by the EML ratio for the given CCT. Example: 254 lux x 0.79 = 200 melanopic lux at 4000K.

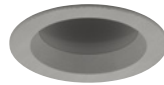
\* EldoLED uses logarithmic dimming curve as standard. For linear dimming curve, add "LIN" after dimming code, i.e. DIM10LIN

## TRIM OPTIONS

### TRIM/BEZEL COLORS



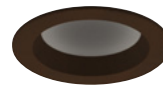
WH



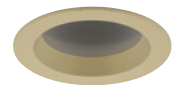
MC



BK



BZ

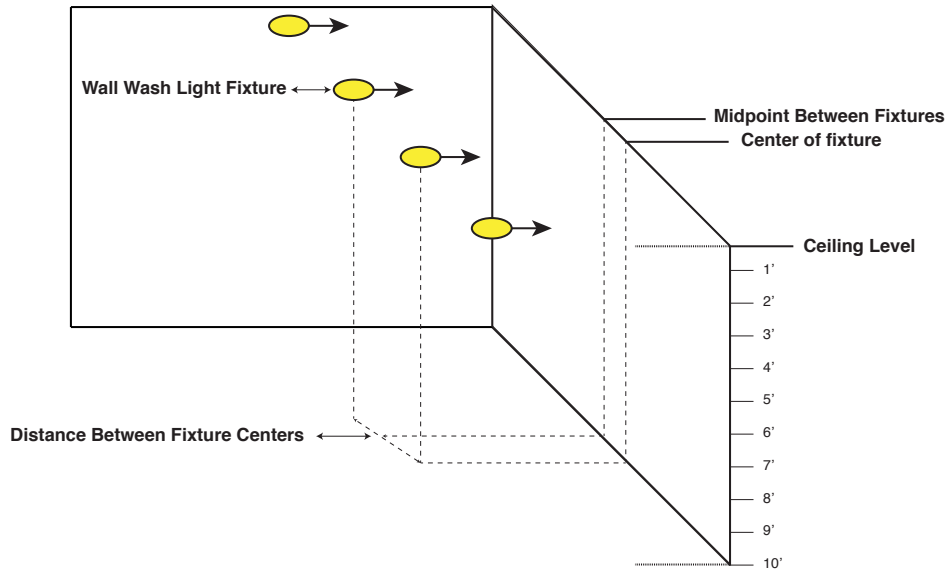


WT

# alphabet

PROJECT INFORMATION		
JOB NAME		TYPE
ORDERING CODE		

## PHOTOMETRIC DATA DIAGRAM



## PHOTOMETRIC DATA CHARTS

### FOOT CANDLE MEASUREMENT

#### TUNABLE WHITE WALL WASH LUMINUS 10LM, 95CRI, 3500K

MOUNTING DISTANCE	2' FROM WALL						3' FROM WALL						4' FROM WALL					
	2' ON CENTER		3' ON CENTER		4' ON CENTER		2' ON CENTER		3' ON CENTER		4' ON CENTER		3' ON CENTER		4' ON CENTER		6' ON CENTER	
	CENTER	MID POINT	CENTER	MID POINT	CENTER	MID POINT	CENTER	MID POINT	CENTER	MID POINT	CENTER	MID POINT	CENTER	MID POINT	CENTER	MID POINT	CENTER	MID POINT
1'	12.5	9.8	10.5	5.2	9.9	3	4.1	4.1	3	2.8	2.5	2	1.6	1.6	1.3	1.2	1	0.7
2'	51	46.5	44.7	20.8	43.6	8.1	14.9	14.2	12	8.2	11.1	4.5	3.7	3.4	3.1	2.4	2.6	1.3
3'	48.9	48.5	35.4	30.4	32.8	17	31.6	31.7	22.7	20.7	20.3	12.3	10.2	9.7	8.8	6.4	8	2.5
4'	35.3	35.3	24.3	23.7	20.4	16.3	33.4	33.6	23.1	23.1	18.6	16.4	16	16.1	12.7	11.6	11.2	5.2
5'	23.9	24.4	16.9	16.8	13.3	12.4	27.5	28.4	19.8	19.6	15.2	14.7	17.2	17.4	13.2	13.2	10.5	7.3
6'	16.3	16.7	11.8	11.9	9.2	9.1	21.2	21.9	15.7	15.7	12.1	11.9	15.8	16	12.2	12.1	8.8	7.6
7'	11.4	11.7	8.5	8.7	6.7	6.7	15.9	16.4	12.1	12.3	9.4	9.4	13.3	13.7	10.6	10.5	7.3	6.9
8'	8.1	8.3	6.3	6.4	5	5	11.9	12.3	9.3	9.5	7.4	7.5	11	11.4	8.8	8.8	6.1	5.9
9'	6	6.1	4.7	4.8	3.8	3.9	9	9.3	7.3	7.4	5.8	5.9	8.9	9.3	7.3	7.4	5.1	5
10'	4.5	4.5	3.6	3.7	3	3	6.9	7.1	5.7	5.8	4.6	4.7	7.2	7.5	6	6.1	4.2	4.2

#### TUNABLE WHITE WALL WASH NICHIA 15LM, 80CRI, 3500K

MOUNTING DISTANCE	2' FROM WALL						3' FROM WALL						4' FROM WALL					
	2' ON CENTER		3' ON CENTER		4' ON CENTER		2' ON CENTER		3' ON CENTER		4' ON CENTER		3' ON CENTER		4' ON CENTER		6' ON CENTER	
	CENTER	MID POINT	CENTER	MID POINT	CENTER	MID POINT	CENTER	MID POINT	CENTER	MID POINT	CENTER	MID POINT	CENTER	MID POINT	CENTER	MID POINT	CENTER	MID POINT
1'	17	13.3	14.3	7	13.4	4.1	5.5	5.6	4.1	3.9	3.4	2.7	2.2	2.2	1.8	1.7	1.4	1
2'	69.4	63.3	60.8	28.3	59.3	11	20.2	19.3	16.3	11.2	15.1	6.2	5	4.7	4.2	3.3	3.6	1.8
3'	66.5	66	48.1	41.4	44.7	23.2	43	43.2	30.9	28.1	27.6	16.8	13.9	13.2	12	8.7	10.9	3.4
4'	48	48	33.1	32.2	27.7	22.2	45.4	45.8	31.4	31.4	25.3	22.3	21.7	21.9	17.4	15.8	15.2	7.1
5'	32.5	33.2	23	22.8	18.1	16.9	37.5	38.6	27	26.7	20.6	20	23.4	23.7	18	17.9	14.2	9.9
6'	22.2	22.7	16.1	16.3	12.6	12.4	28.8	29.8	21.3	21.4	16.4	16.2	21.4	21.7	16.6	16.5	12	10.3
7'	15.5	15.9	11.6	11.8	9.1	9.1	21.6	22.4	16.5	16.7	12.9	12.8	18.1	18.7	14.4	14.3	10	9.4
8'	11.1	11.3	8.5	8.7	6.8	6.8	16.3	16.8	12.7	13	10	10.1	14.9	15.5	12	12	8.3	8.1
9'	8.1	8.3	6.4	6.6	5.2	5.3	12.3	12.7	9.9	10.1	7.9	8.1	12.1	12.6	9.9	10	6.9	6.8
10'	6.1	6.2	4.9	5.1	4	4.1	9.4	9.7	7.8	7.9	6.3	6.4	9.9	10.2	8.1	8.3	5.7	5.7

#### NOTE

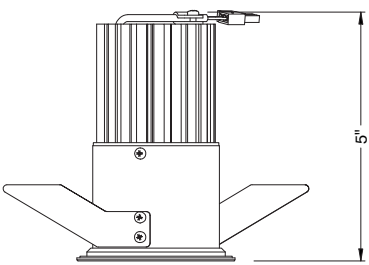
1. Performance based on typical reflectance values and room dimensions. IES files available at [ledrabrands.com](http://ledrabrands.com)

# alphabet

PROJECT INFORMATION		
JOB NAME		TYPE
ORDERING CODE		

## MOUNTING OPTIONS

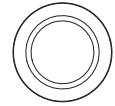
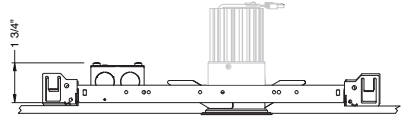
### FIXTURE HEIGHT



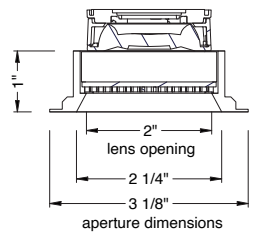
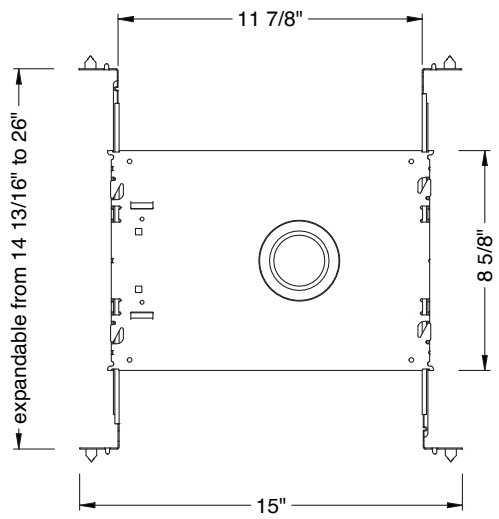
### NC - NEW CONSTRUCTION

#### TRIM

#### TRIM



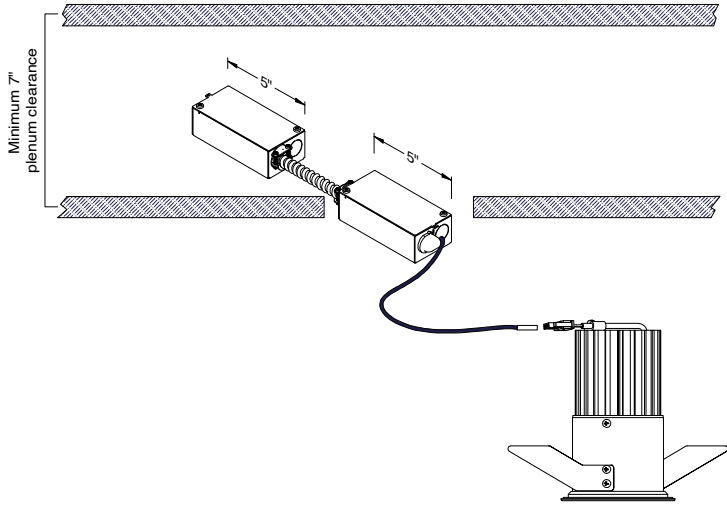
ceiling cutout  
 2-7/8" diameter  
 ceiling thickness  
 1/2" to 1-1/4"



PROJECT INFORMATION		
JOB NAME	TYPE	
ORDERING CODE		

## MOUNTING OPTIONS

### RET - RETRO TRIM/TRIMLESS



RATINGS / CERTIFICATIONS	NC	RET
TYPE NON-IC	✓	✓
TYPE IC		
CHICAGO PLENUM (CCEA)		
SUITABLE FOR AIR HANDLING PLENUMS	✓	✓
REDUCED AIRFLOW (WITH LENS) ASTM E283	✓	✓

CEILING THICKNESS	
FIXTURE TYPE	MOUNTING TYPE
	STANDARD CEILING THICKNESS
TRIM	1/2" to 1-1/4"