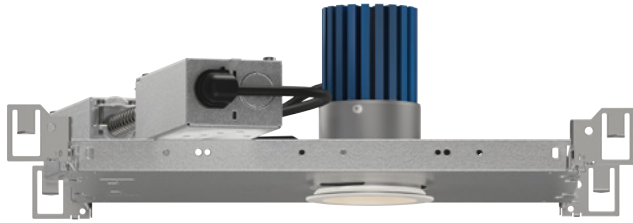


PROJECT INFORMATION		
JOB NAME		TYPE
ORDERING CODE		

NU2

2" Round Wall Wash Standard White



Trim

WALL WASH		
(Note: Specifications are subject to change without notice)		
14mm COB PERFORMANCE DATA		
LED LIGHT ENGINE	NOMINAL DELIVERED LUMENS	SYSTEM WATTAGE
10LM	1110LM @30K/80CRI	10W
15LM	1560LM @30K/80CRI	15W
20LM	2080LM @30K/80CRI	20W
10LM	940LM @30K/90CRI	10W
15LM	1330LM @30K/90CRI	15W
20LM	1770LM @30K/90CRI	20W
Notes	Delivered lumens based on 50D optic with CL lens, (see page 2)	



FEATURES

- An asymmetric reflector with highly efficient BrightView angle bending lens produces excellent wall washing with no scalloping
- 4" set back with 6" on center spacing - 15 FC average
- 1/4" bezel regress with 3/32" micro flange
- UGR < 17
- Glare control, specialty optics, trim options, and custom finishes available
- Microban[®] antimicrobial finish available on all exposed painted surfaces

DIMMING AND CONTROLS

- eldoLED flicker free 0-10V dimming to 0% and 1%
- eldoLED flicker free DALI dimming to 0% and 1%
- Lutron Hi-lumen 2-Wire (Eco System) dimming to 0.1% and 1%
- Leading & trailing edge (Triac/ELV) dimming to 1%
- Casambi bluetooth dimming to 1.0%
- NLight control interface dimming to 0%

CONSTRUCTION

- High-grade die-cast and cold forged aluminum alloy assembly that has superior thermal and corrosion resistance properties
- Shatter proof acrylic bezel lens
- Electrocoated 16-gauge cold-rolled steel construction
- Accommodates ceiling thickness from 1/2" to 1-1/4"

LED

- 90 CRI: SDCM = 2-step MacAdam Ellipse, Lumen Maintenance: L₇₀ > 66,000 hrs
- 80 CRI: SDCM = 2-step MacAdam Ellipse, Lumen Maintenance: L₇₀ > 66,000 hrs

LISTING

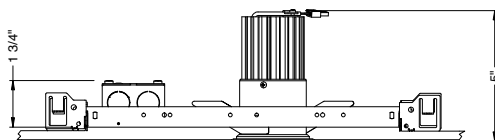
- ULus Listed to UL1598 & UL2108; cUL Listed to CSA C22.2 #250.0
- IP65 with lens - Suitable for wet locations with lens
- NSF/ANSI-2 with lens (Non-Food and Splash Zones)
- 5 Year Limited warranty

ELECTRICAL

- 120V-277V, 120 only Triac / ELV
- Power factor ≥ 0.9
- 2kV driver input surge protection
- Remote emergency test switch
- 7W, 10W (T20 CEC) and 12W EM 90min battery
- Max. ambient installation temperature 95°F (35°C)

FIXTURE HEIGHT

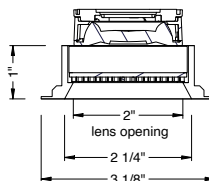
10LM - 20LM LUMEN OUTPUT



TRIMMED



ceiling cutout
2-7/8" diameter
ceiling thickness
1/2" to 1-1/4"



alphabet

PROJECT INFORMATION		
JOB NAME		TYPE
ORDERING CODE		

ORDERING CODE	
SERIES	NU2 NU2
TYPE	RW round wall wash
LED	SW standard white
DELIVERED LUMENS	10LM 970 lm
	15LM 1360 lm
	20LM 1820 lm
Standard Configuration: 3000K 80CRI WW	
Calculated Delivered Lumens = [Delivered Lumen Value] x [CCT Multiplier] x [Reflector Multiplier]	
CCT	27K 2700K
	30K 3000K
	35K 3500K
	40K 4000K
CRI	80 80 CRI
	90 90 CRI
OPTIC & LM MULTIPLIER SEE PAGE <?>	WW wall wash
BEZEL COLOR SEE PAGE <?>	BK black (0.98)
	WH white (1.00)
	MC matte chrome (0.99)
	BZ bronze (0.98)
	WT wheat (0.99)
	CC ¹ custom color, consult factory for details
Antimicrobial finish, add AM to black, white or matte chrome i.e. BKAM.	

ORDERING CODE	
MOUNTING OPTIONS SEE PAGE <?>, <?>	NC new construction with ceiling fitting plate,
	IC ² insulation contact housing,
	ICAT ² insulation contact/airtight housing,
	CP ² chicago plenum housing,
RET retrofit, no ceiling fitting plate,	
VOLTAGE	120 120V
	UNV 120V-277V
DIMMING	DIM10 eldoLED flicker free 0-10V dimming to 1%
	DIM10Z eldoLED flicker free 0-10V dimming to 0%
	DALI eldoLED flicker free DALI 2 dimming to 1%
	DALIZ eldoLED flicker free DALI 2 dimming to 0%
	LUT Lutron Hi-lume Ecosystem dimming to 1%, Soft-on & Fade-to-Black
	LUTP ³ Lutron Hi-lume Premier Ecosystem dimming to 0.1%, Soft-on & Fade-to-Black
	ELV1 ⁴ leading & trailing edge (Triac/ELV) dimming to 1%
	NLT ⁵ nLight control interface: standard Cat-5/RJ45 connection (female), dim to off
CAS Casambi Bluetooth control with flicker free 1% dimming	
ELECTRICAL OPTIONS	EM7 emergency battery backup, 90 minutes at 7W to LED
	EM12 emergency battery backup, 90 minutes at 12W to LED
	EM10CA20 emergency battery backup, 90 minutes at 10W to LED, CA title 20

ADDITIONAL MOUNTING INFO	
New Construction Bar Hangers (included)	Mounting Length: 14-3/4" to 26"
Extension Kit p/n: K20266 (ordered separately, 1 per fixture)	Extends a pair of Bar Hangers Total Mounting Length: 29" to 48"

YOUR COMPLETED ORDERING CODE
Follow the steps to specify your fixture, example:
NU2 - RW - SW - 20LM - 35K - 90 - WW - WH - WH - NC - UNV - DIM10 - EM7

NOTES

1. Custom set up fee plus minimum quantity required per color.
2. IC/ICAT/CP not available in 20LM.
3. LUTP not available in 20LM
4. ELV1 (120V) not available in 10LM.
5. For servicing access above ceiling is required.

* EldoLED uses logarithmic dimming curve as standard. For linear dimming curve, add "LIN" after dimming code, i.e. DIM10LIN.

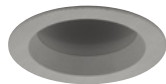
TRIM OPTIONS

TRIM/BEZEL COLORS

Trim/ Bezel
Bezel Lens



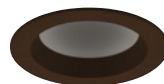
WH



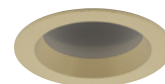
MC



BK



BZ

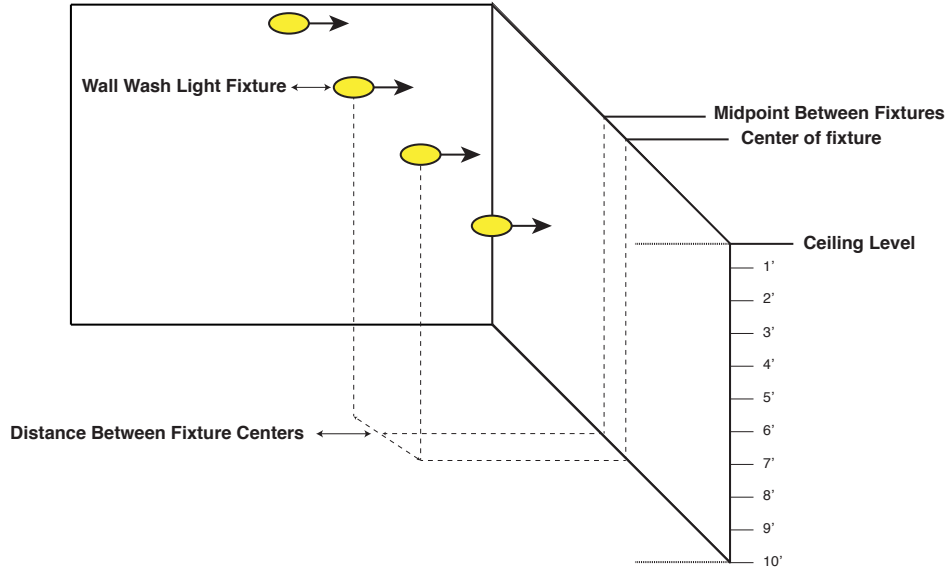


WT

alphabet

PROJECT INFORMATION		
JOB NAME		TYPE
ORDERING CODE		

PHOTOMETRIC DATA DIAGRAM



PHOTOMETRIC DATA CHARTS

FOOT CANDLE MEASUREMENT

STANDARD WHITE WALL WASH 15LM, 80CRI, 3000K

Mounting Distance	2' from wall						3' from wall						4' from wall					
	2' on center		3' on center		4' on center		2' on center		3' on center		4' on center		3' on center		4' on center		6' on center	
Distance from Ceiling	Center	Mid Point	Center	Mid Point	Center	Mid Point	Center	Mid Point	Center	Mid Point	Center	Mid Point	Center	Mid Point	Center	Mid Point	Center	Mid Point
1'	24.7	19.3	20.9	10.2	19.5	5.9	8.1	8.2	6	5.6	4.9	3.9	3.2	3.2	2.5	2.4	2	1.4
2'	101	92	88.5	41.2	86.3	16	29.4	28.1	23.7	16.3	21.9	9	7.3	6.8	6.2	4.8	5.2	2.6
3'	96.8	96	70	60.2	65	33.7	62.5	62.8	44.9	40.9	40.2	24.4	20.2	19.2	17.4	12.7	15.9	5
4'	69.8	69.9	48.1	46.9	40.3	32.3	66	66.6	45.7	45.7	36.8	32.5	31.6	31.9	25.2	23	22.1	10.3
5'	47.3	48.3	33.4	33.2	26.3	24.6	54.5	56.2	39.3	38.8	30	29.1	34.1	34.5	26.1	26.1	20.7	14.4
6'	32.3	33.1	23.4	23.7	18.3	18	41.9	43.4	31	31.1	23.9	23.6	31.2	31.6	24.2	24	17.5	15
7'	22.6	23.1	16.8	17.1	13.2	13.2	31.5	32.5	23.9	24.3	18.7	18.6	26.4	27.2	20.9	20.7	14.5	13.6
8'	16.1	16.5	12.4	12.7	9.9	10	23.7	24.4	18.5	18.9	14.6	14.8	21.7	22.5	17.5	17.5	12	11.7
9'	11.8	12	9.3	9.6	7.5	7.7	17.9	18.4	14.4	14.7	11.5	11.7	17.7	18.3	14.4	14.6	10	9.9
10'	8.8	9	7.2	7.4	5.9	6	13.7	14.1	11.3	11.5	9.2	9.4	14.3	14.9	11.8	12.1	8.4	8.3

NOTE

1. Performance based on typical reflectance values and room dimensions. IES files available at ledbrands.com

PROJECT INFORMATION		
JOB NAME		TYPE
ORDERING CODE		

PHOTOMETRIC DATA CHARTS

FOOT CANDLE MEASUREMENT

STANDARD WHITE WALL WASH 15LM, 80CRI, 3000K																		
Mounting Distance	2' from wall						3' from wall						4' from wall					
Fixture Spacing	2' on center		3' on center		4' on center		2' on center		3' on center		4' on center		3' on center		4' on center		6' on center	
Distance from Ceiling	Center	Mid Point	Center	Mid Point	Center	Mid Point	Center	Mid Point	Center	Mid Point	Center	Mid Point	Center	Mid Point	Center	Mid Point	Center	Mid Point
1'	18.5	14.5	15.6	7.7	14.6	4.4	6	6.1	4.5	4.2	3.7	2.9	2.4	2.4	1.9	1.8	1.5	1.1
2'	75.6	68.9	66.3	30.8	64.6	12	22	21.1	17.8	12.2	16.4	6.7	5.5	5.1	4.6	3.6	3.9	1.9
3'	72.5	71.9	52.4	45.1	48.7	25.2	46.8	47.1	33.6	30.6	30.1	18.3	15.2	14.4	13	9.5	11.9	3.7
4'	52.3	52.3	36.1	35.1	30.2	24.2	49.5	49.9	34.2	34.3	27.6	24.3	23.7	23.9	18.9	17.2	16.6	7.7
5'	35.4	36.1	25	24.9	19.7	18.4	40.8	42.1	29.4	29.1	22.5	21.8	25.5	25.8	19.6	19.5	15.5	10.8
6'	24.2	24.8	17.5	17.7	13.7	13.5	31.4	32.5	23.3	23.3	17.9	17.7	23.4	23.7	18.1	18	13.1	11.3
7'	16.9	17.3	12.6	12.8	9.9	9.9	23.6	24.4	17.9	18.2	14	14	19.8	20.3	15.7	15.5	10.9	10.2
8'	12.1	12.3	9.3	9.5	7.4	7.5	17.7	18.3	13.9	14.2	10.9	11.1	16.3	16.9	13.1	13.1	9	8.8
9'	8.8	9	7	7.2	5.6	5.7	13.4	13.8	10.8	11	8.6	8.8	13.2	13.7	10.8	10.9	7.5	7.4
10'	6.6	6.7	5.4	5.5	4.4	4.5	10.3	10.5	8.4	8.6	6.9	7	10.7	11.1	8.9	9	6.3	6.2

STANDARD WHITE WALL WASH 10LM, 80CRI, 3000K																		
Mounting Distance	2' from wall						3' from wall						4' from wall					
Fixture Spacing	2' on center		3' on center		4' on center		2' on center		3' on center		4' on center		3' on center		4' on center		6' on center	
Distance from Ceiling	Center	Mid Point	Center	Mid Point	Center	Mid Point	Center	Mid Point	Center	Mid Point	Center	Mid Point	Center	Mid Point	Center	Mid Point	Center	Mid Point
1'	10.6	8.3	9	4.4	8.4	2.5	3.5	3.5	2.6	2.4	2.1	1.7	1.4	1.4	1.1	1	0.9	0.6
2'	43.4	39.5	38	17.7	37.1	6.9	12.6	12.1	10.2	7	9.4	3.9	3.1	2.9	2.6	2.1	2.2	1.1
3'	41.5	41.2	30.1	25.8	27.9	14.5	26.8	27	19.3	17.6	17.3	10.5	8.7	8.2	7.5	5.5	6.8	2.1
4'	30	30	20.7	20.1	17.3	13.9	28.4	28.6	19.6	19.6	15.8	13.9	13.6	13.7	10.8	9.9	9.5	4.4
5'	20.3	20.7	14.3	14.3	11.3	10.5	23.4	24.1	16.9	16.7	12.9	12.5	14.6	14.8	11.2	11.2	8.9	6.2
6'	13.9	14.2	10.1	10.2	7.8	7.7	18	18.6	13.3	13.3	10.2	10.1	13.4	13.6	10.4	10.3	7.5	6.5
7'	9.7	9.9	7.2	7.4	5.7	5.7	13.5	14	10.3	10.4	8	8	11.3	11.7	9	8.9	6.2	5.8
8'	6.9	7.1	5.3	5.5	4.2	4.3	10.2	10.5	7.9	8.1	6.3	6.3	9.3	9.7	7.5	7.5	5.2	5
9'	5.1	5.2	4	4.1	3.2	3.3	7.7	7.9	6.2	6.3	4.9	5	7.6	7.9	6.2	6.2	4.3	4.2
10'	3.8	3.9	3.1	3.2	2.5	2.6	5.9	6	4.8	5	3.9	4	6.2	6.4	5.1	5.2	3.6	3.6

NOTE

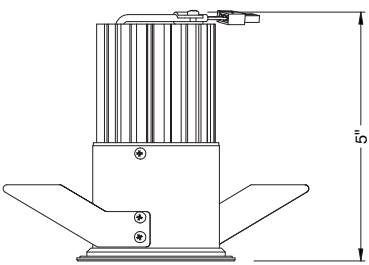
1. Performance based on typical reflectance values and room dimensions. IES files available at ledrbrands.com

alphabet

PROJECT INFORMATION			
JOB NAME		TYPE	
ORDERING CODE			

MOUNTING OPTIONS

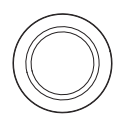
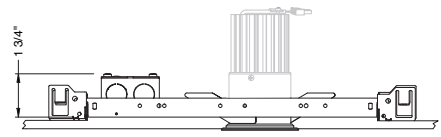
FIXTURE HEIGHT



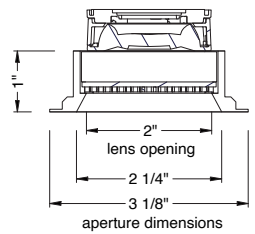
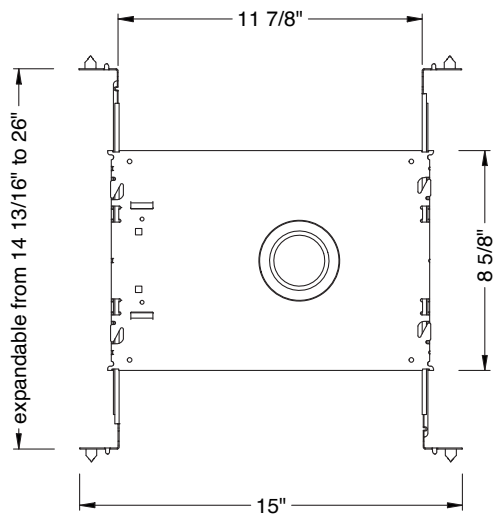
NC - NEW CONSTRUCTION

TRIM

TRIM



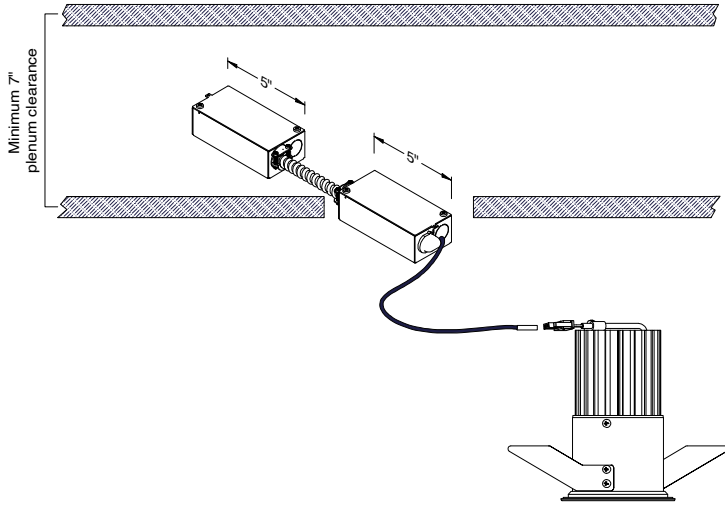
ceiling cutout
2-7/8" diameter
ceiling thickness
1/2" to 1-1/4"



PROJECT INFORMATION		
JOB NAME		TYPE
ORDERING CODE		

MOUNTING OPTIONS

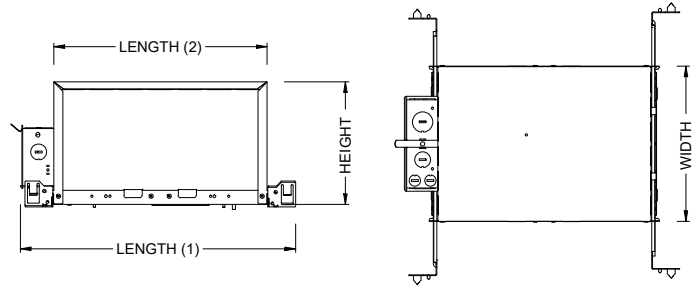
RET - RETRO TRIM/TRIMLESS



RATINGS / CERTIFICATIONS	NC	RET	IC	ICAT	CP
TYPE NON-IC	✓	✓			
TYPE IC			✓	✓	✓
CHICAGO PLENUM (CCEA)					✓
SUITABLE FOR AIR HANDLING PLENUMS	✓	✓	✓	✓	✓
REDUCED AIRFLOW (WITH LENS) ASTM E283	✓	✓	✓	✓	✓

CEILING THICKNESS	
FIXTURE TYPE	MOUNTING TYPE
	STANDARD CEILING THICKNESS
TRIM	1/8" to 1-5/8"

IC - INSULATION CONTACT HOUSING ICAT - INSULATION CONTACT / AIR TIGHT CP - CHICAGO PLENUM



BOX SIZE	L1	L2	W	H
A	15 - 7/16"	11 - 3/4"	8 - 1/2"	6 - 3/4"

BOX TYPE / LUMEN OUTPUT - NARROW BEAM (20°)			
LUMEN OUTPUT	BOX-A		
	CP	IC	ICAT
10LM	✓	✓	✓
15LM	✓	✓	✓

BOX TYPE / LUMEN OUTPUT - STANDARD BEAM (35°-55°)			
LUMEN OUTPUT	BOX-A		
	CP	IC	ICAT
10LM	✓	✓	✓
15LM	✓	✓	✓
20LM			

PROJECT INFORMATION		
JOB NAME		TYPE
ORDERING CODE		

BATTERY OPTIONS

EMERGENCY BATTERY

IOTA's ILB Battery Backups are UL Listed LED emergency drivers that allow the same LED fixture to be used for both normal and emergency operation. In the event of a power failure, the ILB switches to the emergency mode and operates the existing fixture for 90 minutes. The unit contains a battery, charger, and converter circuit in a single can. The Constant Power design of the ILB maintains the output wattage to the LED array even as the system voltage diminishes. UL 924 Listed for U.S. and Canada. UL 1310 Certified, Output Class 2 Compliant. Includes single-piece TBTS test switch and charge indicator accessory kit. For use with switched and unswitched fixtures, and includes Two-wire universal AC input. Meets or exceeds all National Electric Code and Life Safety Code Emergency Lighting Requirements. Rated for use in Plenum, Damp Location, Recessed Type IC, and Enclosed and Gasketed Luminaires.

REMOTE TEST SWITCH

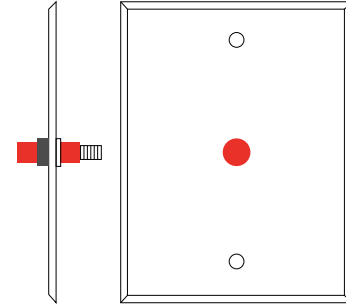
The Remote Test Switch may be mounted adjacent to the LED Fixture by others.

EMERGENCY BATTERY ACCESS

Above ceiling access is recommended for ease of service, but LED Fixture Sizes of 4" and Larger are capable of below ceiling access. IC/ICAT/CP Box and ITS option require an access panel in the ceiling (or other form of access) adjacent to the installation location of the Emergency Battery.

REMOTE LOCATION

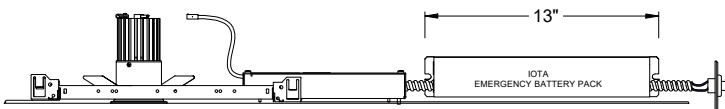
Maximum remote mounting distance of the emergency driver shall be 50 feet. Remote location wiring provided by others. Follow all Local and National Electric/Building Codes.



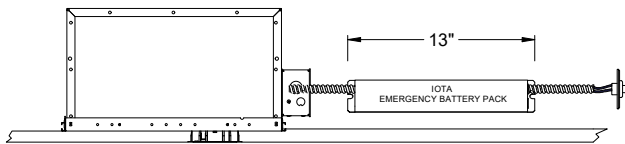
Remote Test Switch

EM MODE OUTPUT (DELIVERED LUMENS)			
LUMEN ORDERING CODE	EM7	EM10	EM12
ALL OPTIONS (10LM TO 40LM)	777LM	1110LM	1330LM
Notes: Based on 30K, 97CRI			

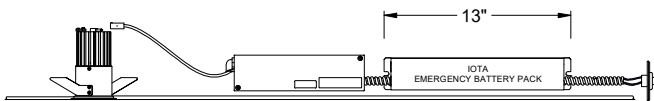
NC - NEW CONSTRUCTION WITH EM BATTERY (REMOTE TEST SWITCH)



IC / ICAT / CP - INSULATION CONTACT HOUSING WITH EM BATTERY (REMOTE TEST SWITCH)

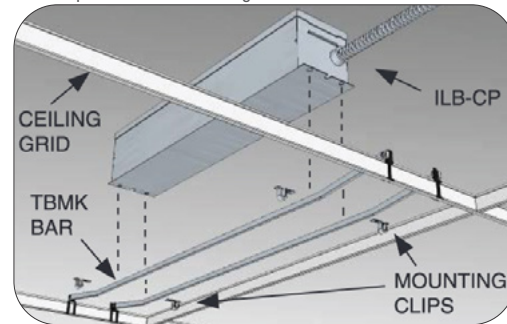


RET - RETROFIT WITH EM BATTERY (REMOTE TEST SWITCH)



Accessory

76066 Optional T-Grid Mounting Kit¹



1. Can be used with any of the Emergency Battery Backups. Must be ordered as a separate line item.