

PROJECT INFORMATION		
JOB NAME		TYPE
ORDERING CODE		

NU2

2" Round Downlight XICATO



AT
airtight

DF
dead-front

PR
plenum rated

wet rated



30° - 50° BEAM (Note: Specifications are subject to change without notice)		
14mm COB PERFORMANCE DATA		
LED LIGHT ENGINE	NOMINAL DELIVERED LUMENS	SYSTEM WATTAGE
10LM	880LM @30K/83CRI	10W
15LM	1470LM @30K/83CRI	18W
10LM	950LM @30K/98CRI	14W
15LM	1450LM @30K/98CRI	21W
Notes	Delivered lumens based on 50D optic with SBL lens, (see page 2)	

XICATO



eldoLED
the perfect light

CASAMBI



Trim

FEATURES

- 1/4" bezel regress with 3/32" micro flange
- 30° - 50° optical beam control
- UGR < 19
- 88 LPW average
- Glare control, specialty optics, trim options, and custom finishes available
- Microban® antimicrobial finish available on all exposed painted surfaces

LED

- SDCM = 1X2 MacAdam Ellipse, Duv +/- 0.001, Lumen Maintenance: L₉₀ > 55,000 hrs

DIMMING AND CONTROLS

- eldoLED flicker free 0-10V dimming to 0% and 1%
- eldoLED flicker free DALI dimming to 0% and 1%
- Lutron Hi-lumen 2-Wire (Eco System) dimming to 0.1% and 1%
- Leading & trailing edge (Triac/ELV) dimming to 1%
- Casambi bluetooth dimming to 1.0%
- NLight control interface dimming to 0%

LISTING

- ULus Listed to UL1598 & UL2108; cUL Listed to CSA C22.2 #250.0
- IP65 with lens - Suitable for wet locations with lens
- NSF/ANSI-2 with lens (Non-Food and Splash Zones)
- 5 Year Limited warrant

CONSTRUCTION

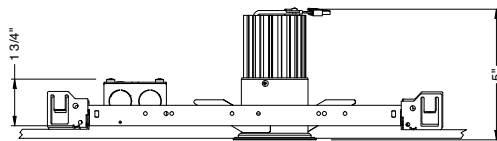
- Optimal material for wireless BLE signal connectivity
- Shatter proof acrylic bezel lens
- Electrocoated 16-gauge cold-rolled steel construction
- Accommodates ceiling thickness from 1/2" to 1-1/4"

ELECTRICAL

- 120V-277V, 120 only Triac / ELV
- Power factor ≥ 0.9
- 2kV driver input surge protection
- Remote emergency test switch
- 7W EM 90min battery
- Max. ambient installation temperature 95°F (35°C)

FIXTURE HEIGHT

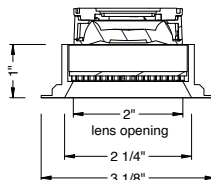
10LM - 15LM LUMEN OUTPUT



TRIMMED



ceiling cutout
2-7/8" diameter
ceiling thickness
1/2" to 1-1/4"



alphabet

PROJECT INFORMATION		
JOB NAME		TYPE
ORDERING CODE		

ORDERING CODE	
SERIES	NU2
TYPE	RD
LED	XTM19
DELIVERED LUMENS	10LM
	15LM
Standard Configuration: 3000K 83CRI 50D, CL Calculated Delivered Lumens = [Delivered Lumen Value] x [CCT Multiplier] x [Reflector Multiplier]	
CCT	27K
	30K
	35K
	40K
CRI	83
	98
OPTIC & LM MULTIPLIER SEE PAGE 4	30D
	35D
	40D
	50D
BEZEL LENS SEE PAGE 3	CL
	DL
	HET
	SBL
BEZEL COLOR SEE PAGE 3	BK
	WH
	MC
	BZ
	WT
	CC ²
Antimicrobial finish, add AM to black, white or matte chrome i.e. BKAM.	

ORDERING CODE	
MOUNTING OPTIONS SEE PAGE 5, 6	NC
	IC
	ICAT
	CP
	RET
VOLTAGE	120
	UNV
DIMMING	DIM10
	DIM10Z
	DALI
	DALIZ
	LUT
	LUTP
	ELV1 ³
	NLT ⁴
CAS	
ELECTRICAL OPTIONS	EM7
	EM12
	EM10CA20

ADDITIONAL MOUNTING INFO	
New Construction Bar Hangers (included)	Mounting Length: 14-3/4" to 26"
Extension Kit p/n: K20266 (ordered separately, 1 per fixture)	Extends a pair of Bar Hangers Total Mounting Length: 29" to 48"

YOUR COMPLETED ORDERING CODE
Follow the steps to specify your fixture, example:
NU2 - RD - XTM19 - 15LM - 30K - 83 - 30D - CL - WH - NC - UNV - DIM10 - EM7

NOTES

- HCL option does not meet requirements for AT/WET/NSF listing.
- Custom set up fee plus minimum quantity required per color.
- ELV1 (120V) not available in 10LM.
- For servicing access above ceiling is required.

* Driver uses logarithmic dimming curve as standard. For linear dimming curve add "LIN" after dimming code, i.e. DIM10LIN.

alphabet

PROJECT INFORMATION		
JOB NAME		TYPE
ORDERING CODE		

TRIM OPTIONS

TRIM/BEZEL COLORS

Trim/ Bezel
Bezel Lens



WH



MC



BK



BZ



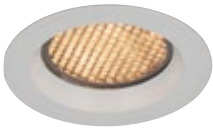
WT

OPTICAL OPTIONS

- UGR calculation based on CIE 117-1995; room size: 4H X 8H, reflectance: 70/50/20;
- UGR calculation based on 15LM fixtures, unless otherwise noted.

HCL

Honeycomb Louver



OPTIC	BEAM ANGLE	UGR
30D	27	14.5
35D	29	15.7
40D	32	15.9
50D	42	17.3

DL

Diffused Lens



OPTIC	BEAM ANGLE	UGR
30D	46	25.1
35D	49	26
40D	52	26.3
50D	60	27.2

CL

Clear Lens



OPTIC	BEAM ANGLE	UGR
30D	30	18.9
35D	34	20.8
40D	38	21.5
50D	52	22.6

SBL

Smoothing Beam Lens



OPTIC	BEAM ANGLE	UGR
30D	31	19.4
35D	34	21.1
40D	39	21.8
50D	52	22.8

HET

High Efficiency Textured Lens



OPTIC	BEAM ANGLE	UGR
30D	33	20.5
35D	36	21.9
40D	40	22.6
50D	51	23.4

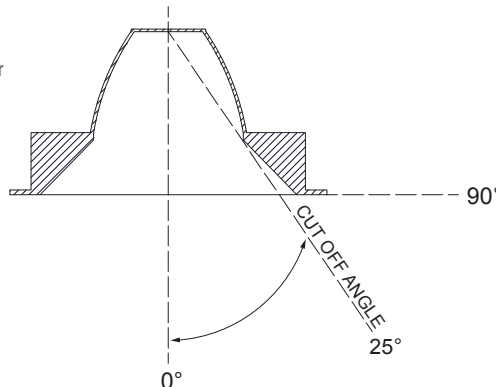
GLARE CONTROL

CUT-OFF ANGLE

Visual comfort is achieved with a lower cut-off angle due to improved glare control. The smaller the cut-off angle, the easier it is on the eye.

Alphabet downlights have been thoughtfully engineered to eliminate glare while still delivering functional illumination.

- Cutoff angle of NL and CL is 25 degrees;

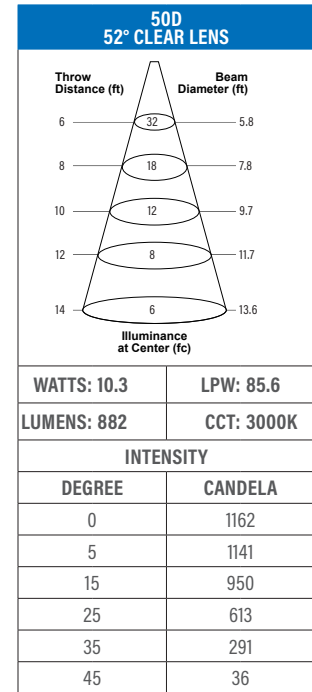
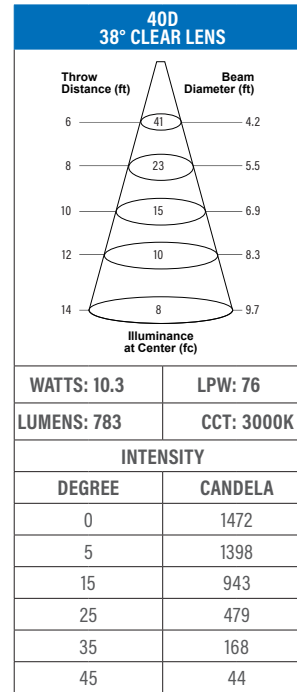
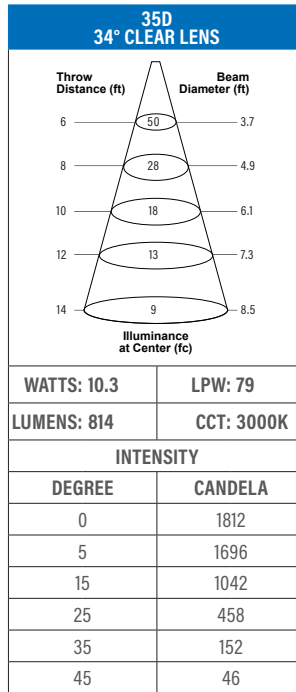
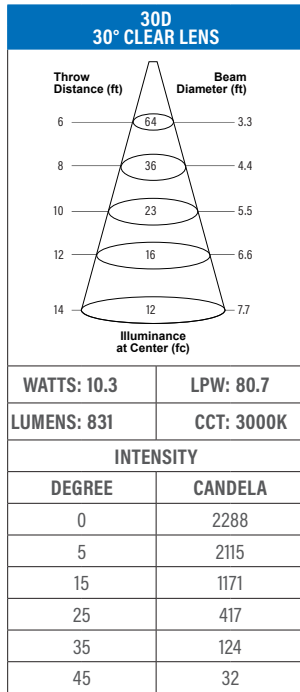


alphabet

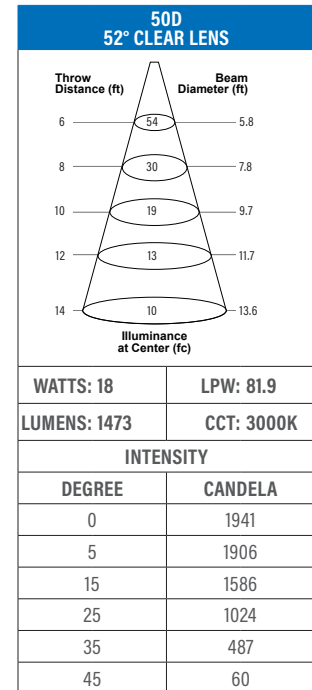
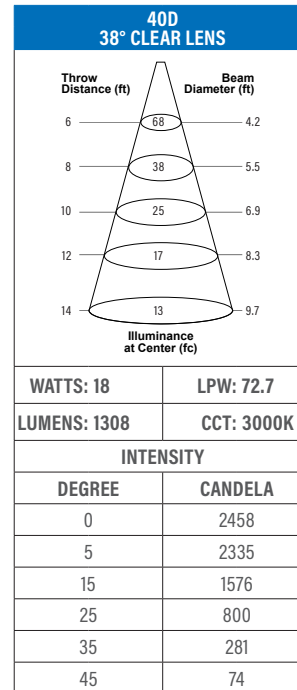
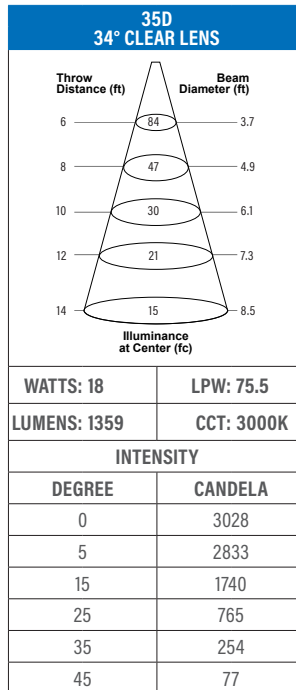
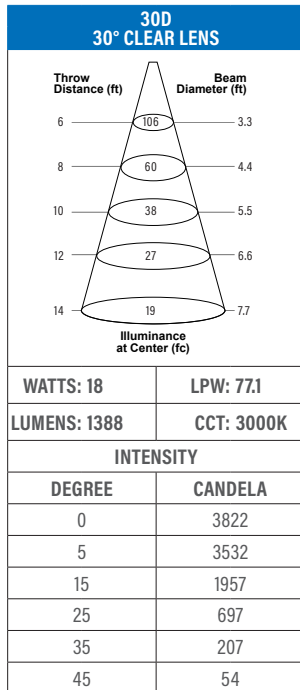
PROJECT INFORMATION		
JOB NAME		TYPE
ORDERING CODE		

PHOTOMETRIC DATA

10LM



15LM

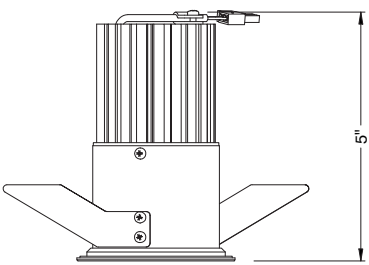


alphabet

PROJECT INFORMATION		
JOB NAME		TYPE
ORDERING CODE		

MOUNTING OPTIONS

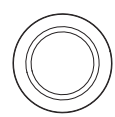
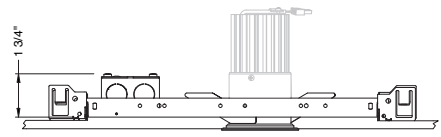
FIXTURE HEIGHT



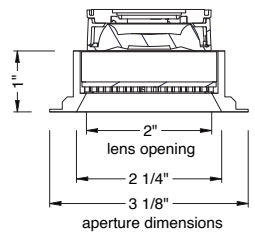
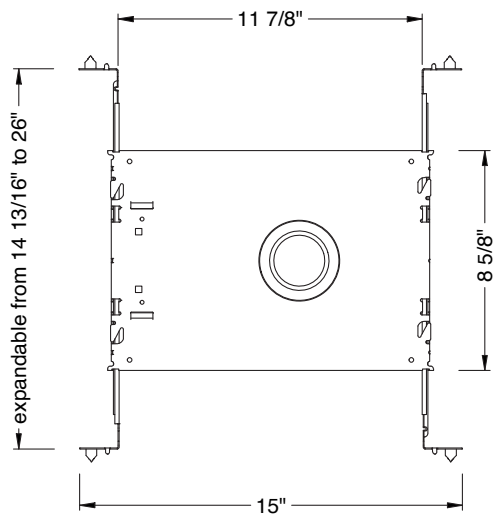
NC - NEW CONSTRUCTION

TRIM

TRIM



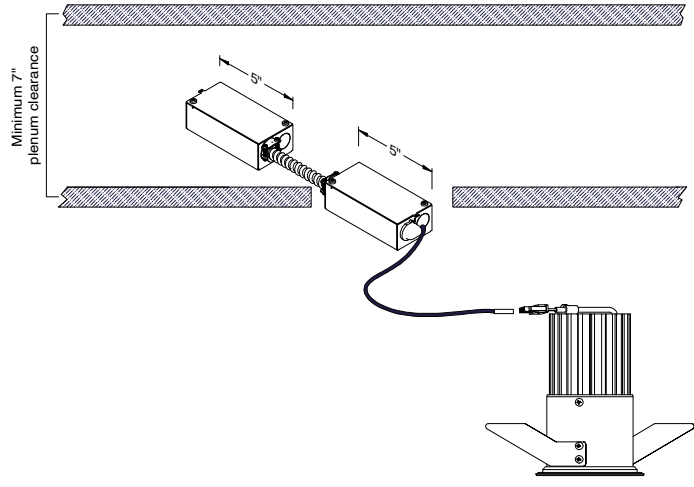
ceiling cutout
 2-7/8" diameter
 ceiling thickness
 1/2" to 1-1/4"



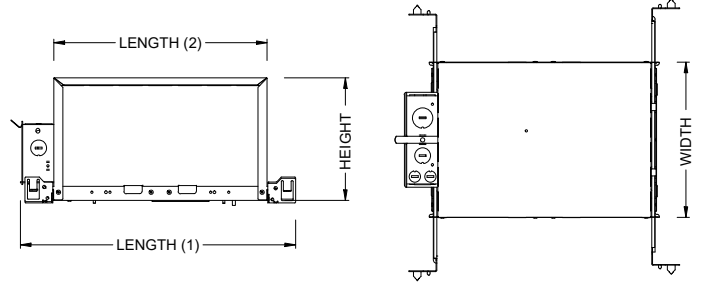
PROJECT INFORMATION		
JOB NAME		TYPE
ORDERING CODE		

MOUNTING OPTIONS

RET - RETRO TRIM/TRIMLESS



IC - INSULATION CONTACT HOUSING ICAT - INSULATION CONTACT / AIR TIGHT CP - CHICAGO PLENUM



BOX SIZE	L1	L2	W	H
A	15 - 7/16"	11 - 3/4"	8 - 1/2"	6 - 3/4"

RATINGS / CERTIFICATIONS	NC	RET	IC	ICAT	CP
TYPE NON-IC	✓	✓			
TYPE IC			✓	✓	✓
CHICAGO PLENUM (CCEA)					✓
SUITABLE FOR AIR HANDLING PLENUMS	✓	✓	✓	✓	✓
REDUCED AIRFLOW (WITH LENS) ASTM E283	✓	✓	✓	✓	✓

BOX TYPE / LUMEN OUTPUT - NARROW BEAM (30°-50°)			
LUMEN OUTPUT	BOX-A		
	CP	IC	ICAT
10LM	✓	✓	✓
15LM	✓	✓	✓

CEILING THICKNESS	
FIXTURE TYPE	MOUNTING TYPE
	STANDARD CEILING THICKNESS
TRIM	1/2" to 1-1/4"

PROJECT INFORMATION		
JOB NAME		TYPE
ORDERING CODE		

BATTERY OPTIONS

EMERGENCY BATTERY

IOTA's ILB Battery Backups are UL Listed LED emergency drivers that allow the same LED fixture to be used for both normal and emergency operation. In the event of a power failure, the ILB switches to the emergency mode and operates the existing fixture for 90 minutes. The unit contains a battery, charger, and converter circuit in a single can. The Constant Power design of the ILB maintains the output wattage to the LED array even as the system voltage diminishes. UL 924 Listed for U.S. and Canada. UL 1310 Certified, Output Class 2 Compliant. Includes single-piece TBTS test switch and charge indicator accessory kit. For use with switched and unswitched fixtures, and includes Two-wire universal AC input. Meets or exceeds all National Electric Code and Life Safety Code Emergency Lighting Requirements. Rated for use in Plenum, Damp Location, Recessed Type IC, and Enclosed and Gasketed Luminaires.

REMOTE TEST SWITCH

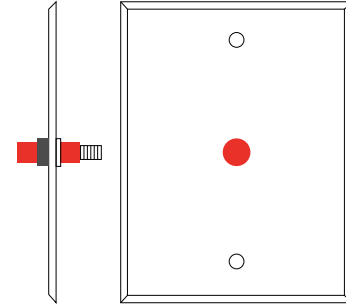
The Remote Test Switch may be mounted adjacent to the LED Fixture by others.

EMERGENCY BATTERY ACCESS

Above ceiling access is recommended for ease of service, but LED Fixture Sizes of 4" and Larger are capable of below ceiling access. IC/ICAT/CP Box and ITS option require an access panel in the ceiling (or other form of access) adjacent to the installation location of the Emergency Battery.

REMOTE LOCATION

Maximum remote mounting distance of the emergency driver shall be 50 feet. Remote location wiring provided by others. Follow all Local and National Electric/ Building Codes.



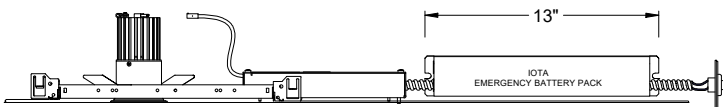
Remote Test Switch

EM MODE OUTPUT (DELIVERED LUMENS)

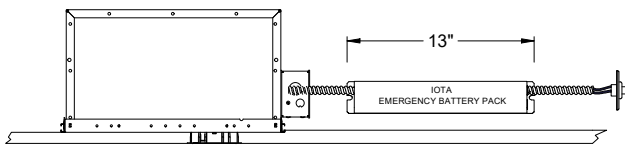
LUMEN ORDERING CODE	EM7	EM10	EM12
ALL OPTIONS (10LM TO 15LM)	730LM	1050LM	1250LM

Notes: Based on 30K, 83CRI

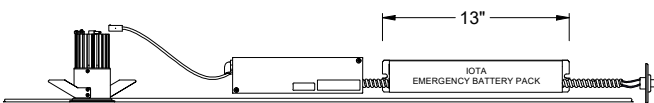
NC - NEW CONSTRUCTION WITH EM BATTERY (REMOTE TEST SWITCH)



IC / ICAT / CP - INSULATION CONTACT HOUSING WITH EM BATTERY (REMOTE TEST SWITCH)

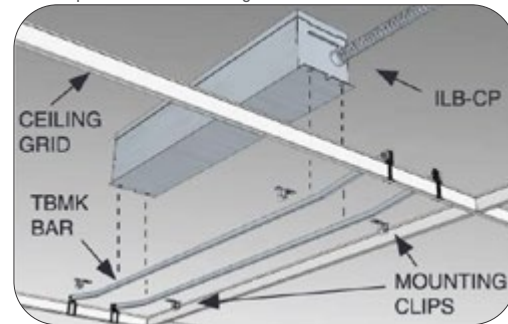


RET - RETROFIT WITH EM BATTERY (REMOTE TEST SWITCH)



Accessory

76066 Optional T-Grid Mounting Kit¹



1. Can be used with any of the Emergency Battery Backups. Must be ordered as a separate line item.