

PROJECT INFORMATION		
JOB NAME		TYPE
ORDERING CODE		

NU2

2" Round Downlight Warm Dim



25° -50° BEAM		
(Note: Specifications are subject to change without notice)		
14mm DYNAMIC COB PERFORMANCE DATA		
LED LIGHT ENGINE	NOMINAL DELIVERED LUMENS	SYSTEM WATTAGE
15LM	1350LM @30K/97CRI	21W
Notes	Delivered lumens based on 25D optic with no lens, (see page 2)	

LUMINUS CASAMBI



Trim

FEATURES

- 1/4" bezel regress with 3/32" micro flange
- 25° - 50° optical beam control
- UGR < 20
- Glare control, specialty optics, trim options, and custom finishes available
- Microban® antimicrobial finish available on all exposed painted surfaces

LED

- LED - Luminus Dim-to-warm COB:
- 97 CRI: SDCM = 3-step MacAdam Ellipse; Lumen Maintenance: L₇₀ > 54,000 hrs

DIMMING AND CONTROLS

- eldoLED flicker free 0-10V dimming to 0% and 1%
- eldoLED flicker free DALI dimming to 0% and 1%
- Lutron Hi-lumen 2-Wire (Eco System) dimming to 0.1% and 1%
- Leading & trailing edge (Triac/ELV) dimming to 1%
- Casambi bluetooth dimming to 1.0%

LISTING

- ULus Listed to UL1598 & UL2108; cUL Listed to CSA C22.2 #250.0
- IP65 with lens - Suitable for wet locations with lens
- NSF/ANSI-2 with lens (Non-Food and Splash Zones)
- 5 Year Limited warranty

CONSTRUCTION

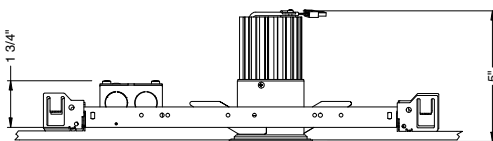
- Optimal material for wireless BLE signal connectivity
- Shatter proof acrylic bezel lens
- Electrocoated 16-gauge cold-rolled steel construction
- Accommodates ceiling thickness from 1/2" to 1-1/4"

ELECTRICAL

- 120V-277V, 120 only Triac / ELV
- Power factory ≥ 0.9
- 2kV driver input surge protection
- Remote emergency test switch
- 7W EM 90min battery
- Max. ambient installation temperature 95°F (35°C)

FIXTURE HEIGHT

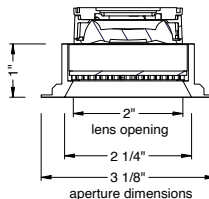
15LM OUTPUT



TRIMMED



ceiling cutout
2-7/8" diameter
ceiling thickness
1/2" to 1-1/4"



aperture dimensions

alphabet

PROJECT INFORMATION		
JOB NAME		TYPE
ORDERING CODE		

25°- 50° BEAM ORDERING CODE

SERIES	NU2	NU2		
TYPE	RD	round downlight		
LED	WD	warm dim (Luminus)		
DELIVERED LUMENS	15LM	1350 lm		
	Standard Configuration: 3000K 97CRI 50D, CL Calculated Delivered Lumens = [Delivered Lumen Value] x [CCT Multiplier] x [Reflector Multiplier]			
CCT	3018	3000K, dim to 1800K	CCT at Light Level (%LF)	
			%LF	15LM
			100%	3000
			50%	3000
			25%	2500
10%	2000			
5%	1800			
CRI	97	97 CRI		
OPTIC & LM MULTIPLIER SEE PAGE 4	25D	25 degrees	(0.99)	
	30D	30 degrees	(0.99)	
	35D	35 degrees	(0.97)	
	50D	50 degrees	(1.00)	
BEZEL LENS SEE PAGE 3	CL	clear lens	(0.98)	
	DL	diffused lens	(0.91)	
	HET	high efficiency textured lens, similar to Solite™	(0.92)	
	HCL¹	honeycomb louver	(0.85)	
BEZEL COLOR SEE PAGE 3	SBL	smoothing beam lens	(0.92)	
	BK	black	(0.98)	
	WH	white	(1.00)	
	MC	matte chrome	(0.99)	
	BZ	bronze	(0.98)	
WT	wheat	(0.99)		
CC²	custom color, consult factory for details			
Antimicrobial finish, add AM to black, white or matte chrome i.e. BKAM.				

25°- 50° BEAM ORDERING CODE

MOUNTING OPTIONS SEE PAGE 5, 6	NC	new construction with ceiling fitting plate
	IC	insulation contact housing
	ICAT	insulation contact/airtight housing
	CP	chicago plenum housing
	RET	retrofit, no ceiling fitting plate
VOLTAGE	120	120V
	UNV	120V-277V
DIMMING	DIM10	eldoLED flicker free 0-10V dimming to 1%
	DIM10Z	eldoLED flicker free 0-10V dimming to 0%
	DALI	eldoLED flicker free DALI 2 dimming to 1%
	DALIZ	eldoLED flicker free DALI 2 dimming to 0%
	ELV1³	leading & trailing edge (Triac/ELV) dimming to 1%
CAS	Casambi Bluetooth control with flicker free 1% dimming	
ELECTRICAL OPTIONS	EM7	emergency battery backup, 90 minutes at 7W to LED
	EM12	emergency battery backup, 90 minutes at 12W to LED
	EM10CA20	emergency battery backup, 90 minutes at 10W to LED, CA title 20

ADDITIONAL MOUNTING INFO

New Construction Bar Hangers (included)	Mounting Length: 14-3/4" to 26"
Extension Kit p/n: K20266 (ordered separately, 1 per fixture)	Extends a pair of Bar Hangers Total Mounting Length: 29" to 48"

YOUR COMPLETED ORDERING CODE

Follow the steps to specify your fixture, example:
NU2 - RD - WD - 15LM - 3018 - 97 - 30D - SBL - WH - WH - NC - UNV - DIM10 - EM7

NOTES

- HCL option does not meet requirement for AT/WET/NSF listing
- Custom set up fee plus minimum quantity required per color.
- ELV1 dimming available in 120V.

* EldoLED uses logarithmic dimming curve as standard. For linear dimming curve, add "LIN" after dimming code, i.e. DIM10LIN.

* Values shown are for reference only. Actual CCT may vary.

alphabet

PROJECT INFORMATION		
JOB NAME		TYPE
ORDERING CODE		

TRIM OPTIONS

TRIM/BEZEL COLORS

Trim/ Bezel
Bezel Lens



WH



MC



BK



BZ



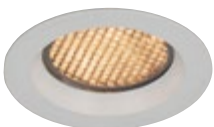
WT

OPTICAL OPTIONS

- UGR calculation based on CIE 117-1995; room size: 4H X 8H, reflectance: 70/50/20;
- UGR calculation based on 15LM fixtures, unless otherwise noted.

HCL - SBL

Honeycomb Louver



OPTIC	BEAM ANGLE	UGR
25D	22.3	12
30D	26.3	11.4
35D	30.4	15.1
50D	39.1	16

DL

Diffused Lens



OPTIC	BEAM ANGLE	UGR
25D	41	23.4
30D	44.3	24.4
35D	48.3	25.2
50D	56.6	26.2

HET

High Efficiency Textured Lens



OPTIC	BEAM ANGLE	UGR
25D	27.1	17.4
30D	31.2	19.2
35D	36.4	20.7
50D	47.7	21.9

SBL

Smoothing Beam Lens



OPTIC	BEAM ANGLE	UGR
25D	24.3	16
30D	28.5	18
35D	34.6	19.5
50D	48.8	20.9

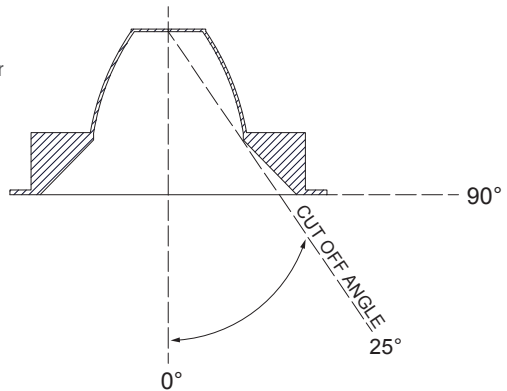
GLARE CONTROL

CUT-OFF ANGLE

Visual comfort is achieved with a lower cut-off angle due to improved glare control. The smaller the cut-off angle, the easier it is on the eye.

Alphabet downlights have been thoughtfully engineered to eliminate glare while still delivering functional illumination.

- Cutoff angle of NL and CL is 25 degrees;



alphabet

PROJECT INFORMATION		
JOB NAME		TYPE
ORDERING CODE		

PHOTOMETRIC DATA

15LM

25D 24° SMOOTHING BEAM LENS	
Throw Distance (ft)	Beam Diameter (ft)
6	2.6
8	3.5
10	4.3
12	5.2
14	6
Illuminance at Center (fc)	
148	
83	
53	
37	
27	
WATTS:: 21	LPW:: 59.2
LUMENS: 1243	CCT:: 3000K
INTENSITY	
DEGREE	CANDELA
0	5329
5	4732
15	1870
25	406
35	105
45	38

30D 29° SMOOTHING BEAM LENS	
Throw Distance (ft)	Beam Diameter (ft)
6	3.1
8	4.1
10	5.1
12	6.1
14	7.1
Illuminance at Center (fc)	
109	
61	
39	
27	
20	
WATTS:: 21	LPW:: 59.9
LUMENS: 1257	CCT:: 3000K
INTENSITY	
DEGREE	CANDELA
0	3911
5	3552
15	1839
25	575
35	144
45	51

35D 35° SMOOTHING BEAM LENS	
Throw Distance (ft)	Beam Diameter (ft)
6	3.8
8	5
10	6.3
12	7.5
14	8.8
Illuminance at Center (fc)	
75	
42	
27	
19	
14	
WATTS:: 21	LPW:: 55.9
LUMENS: 1174	CCT:: 3000K
INTENSITY	
DEGREE	CANDELA
0	2692
5	2526
15	1599
25	658
35	184
45	54

50D 49° SMOOTHING BEAM LENS	
Throw Distance (ft)	Beam Diameter (ft)
6	5.5
8	7.3
10	9.1
12	10.9
14	12.7
Illuminance at Center (fc)	
57	
32	
21	
14	
10	
WATTS:: 21	LPW:: 64.2
LUMENS: 1349	CCT:: 3000K
INTENSITY	
DEGREE	CANDELA
0	2057
5	2021
15	1616
25	995
35	286
45	42

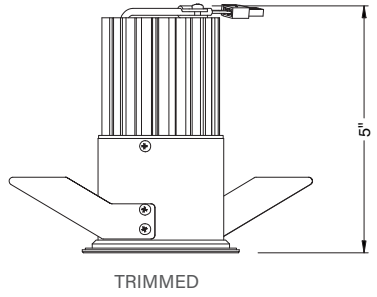
alphabet

PROJECT INFORMATION		
JOB NAME		TYPE
ORDERING CODE		

MOUNTING OPTIONS

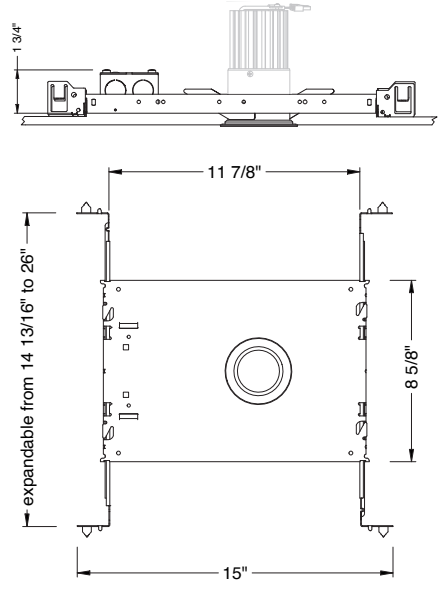
FIXTURE HEIGHT

15LM

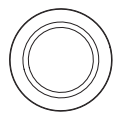


NC - NEW CONSTRUCTION

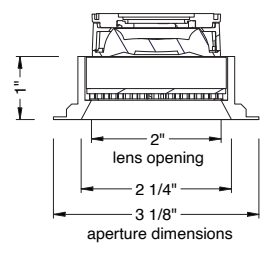
TRIM



TRIM



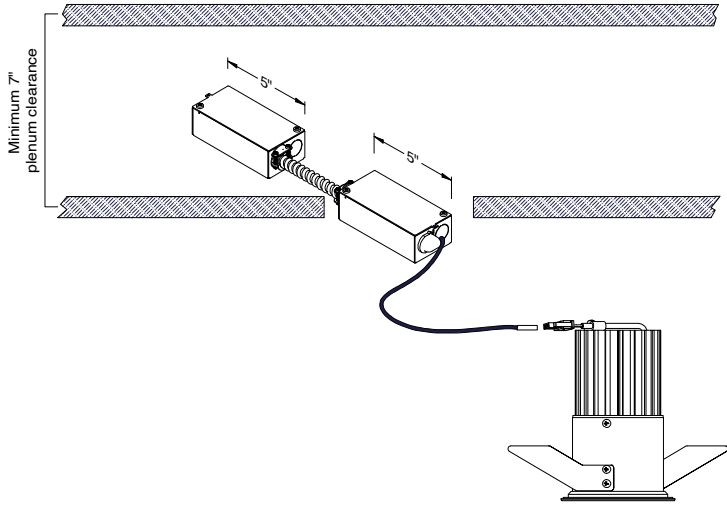
ceiling cutout
2-7/8" diameter
ceiling thickness
1/2" to 1-1/4"



PROJECT INFORMATION		
JOB NAME		TYPE
ORDERING CODE		

MOUNTING OPTIONS

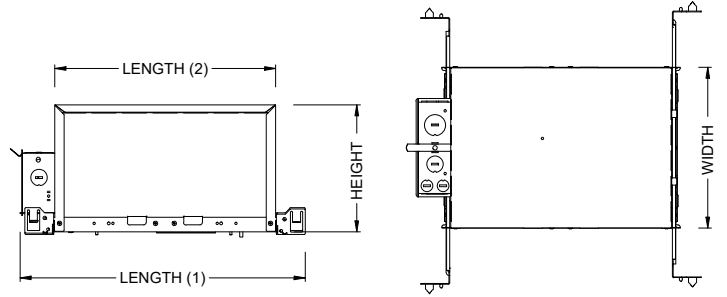
RET - RETRO TRIM/TRIMLESS



RATINGS / CERTIFICATIONS	NC	RET	IC	ICAT	CP
TYPE NON-IC	✓	✓			
TYPE IC			✓	✓	✓
CHICAGO PLENUM (CCEA)					✓
SUITABLE FOR AIR HANDLING PLENUMS	✓	✓	✓	✓	✓
REDUCED AIRFLOW (WITH LENS) ASTM E283	✓	✓	✓	✓	✓

CEILING THICKNESS	
FIXTURE TYPE	MOUNTING TYPE
	STANDARD CEILING THICKNESS
TRIM	1/2" to 1-1/4"

IC - INSULATION CONTACT HOUSING ICAT - INSULATION CONTACT / AIR TIGHT CP - CHICAGO PLENUM



BOX SIZE	L1	L2	W	H
A	15 - 7/16"	11 - 3/4"	8 - 1/2"	6 - 3/4"

BOX TYPE / LUMEN OUTPUT - NARROW BEAM (25°-50°)			
LUMEN OUTPUT	BOX-A		
	CP	IC	ICAT
15LM	✓	✓	✓

PROJECT INFORMATION		
JOB NAME		TYPE
ORDERING CODE		

BATTERY OPTIONS

EMERGENCY BATTERY

IOTA's ILB Battery Backups are UL Listed LED emergency drivers that allow the same LED fixture to be used for both normal and emergency operation. In the event of a power failure, the ILB switches to the emergency mode and operates the existing fixture for 90 minutes. The unit contains a battery, charger, and converter circuit in a single can. The Constant Power design of the ILB maintains the output wattage to the LED array even as the system voltage diminishes. UL 924 Listed for U.S. and Canada. UL 1310 Certified, Output Class 2 Compliant. Includes single-piece TBTS test switch and charge indicator accessory kit. For use with switched and unswitched fixtures, and includes Two-wire universal AC input. Meets or exceeds all National Electric Code and Life Safety Code Emergency Lighting Requirements. Rated for use in Plenum, Damp Location, Recessed Type IC, and Enclosed and Gasketed Luminaires.

REMOTE TEST SWITCH

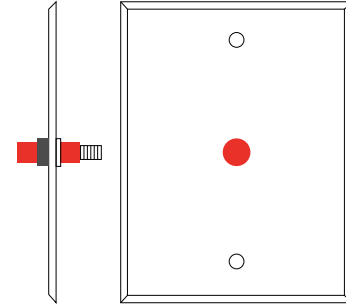
The Remote Test Switch may be mounted adjacent to the LED Fixture by others.

EMERGENCY BATTERY ACCESS

Above ceiling access is recommended for ease of service, but LED Fixture Sizes of 4" and Larger are capable of below ceiling access. IC/ICAT/CP Box and ITS option require an access panel in the ceiling (or other form of access) adjacent to the installation location of the Emergency Battery.

REMOTE LOCATION

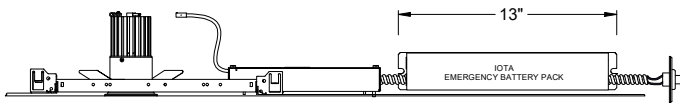
Maximum remote mounting distance of the emergency driver shall be 50 feet. Remote location wiring provided by others. Follow all Local and National Electric/ Building Codes.



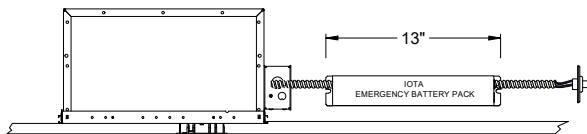
Remote Test Switch

EM MODE OUTPUT (DELIVERED LUMENS)			
LUMEN ORDERING CODE	EM7	EM10	EM12
ALL OPTIONS (15LM)	450lm	640lm	770lm
Notes			

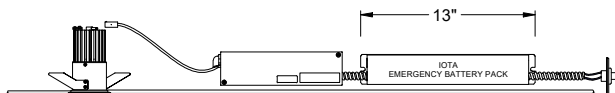
NC - NEW CONSTRUCTION WITH EM BATTERY (REMOTE TEST SWITCH)



IC / ICAT / CP - INSULATION CONTACT HOUSING WITH EM BATTERY (REMOTE TEST SWITCH)

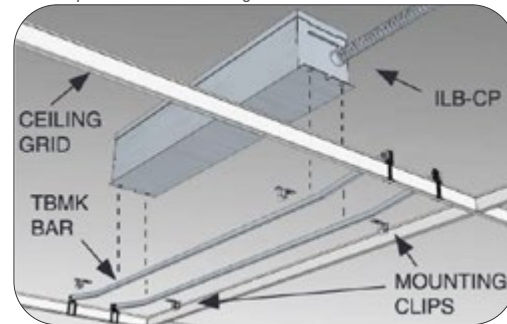


RET - RETROFIT WITH EM BATTERY (REMOTE TEST SWITCH)



Accessory

76066 Optional T-Grid Mounting Kit¹



1. Can be used with any of the Emergency Battery Backups. Must be ordered as a separate line item.