

PROJECT INFORMATION		
JOB NAME		TYPE
ORDERING CODE		

NU2

2" Round Downlight Tunable White

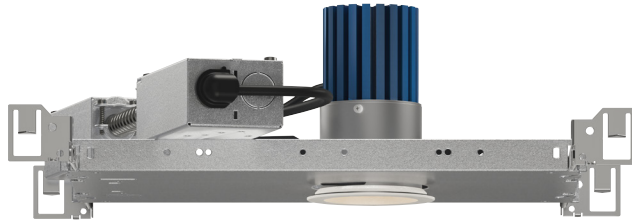


25° -50° BEAM (Note: Specifications are subject to change without notice)		
14mm COB PERFORMANCE DATA LUMINUS		
LED LIGHT ENGINE	NOMINAL DELIVERED LUMENS	SYSTEM WATTAGE
10LM	1050@35K/95CRI	20W
Notes	Delivered lumens based on 50D optic with SBL lens, (see page 2)	

20° -50° BEAM (Note: Specifications are subject to change without notice)		
14mm COB PERFORMANCE DATA NICHIA		
LED LIGHT ENGINE	NOMINAL DELIVERED LUMENS	SYSTEM WATTAGE
15LM	1430@35K/80CRI	20W
Notes	Delivered lumens based on 25D optic with SBL lens, (see page 2)	



CASAMBI



Trim

FEATURES

- 1/4" bezel regress with 3/32" micro flange
- 20° - 50° optical beam control
- UGR < 20
- Glare control, specialty optics, trim options, and custom finishes available
- Microban® antimicrobial finish available on all exposed painted surfaces

DIMMING AND CONTROLS

- eldoLED flicker free 0-10V dimming to 0% and 1%
- eldoLED flicker free DALI dimming to 0% and 1%
- Lutron Hi-lumen 2-Wire (Eco System) dimming to 0.1% and 1%
- Leading & trailing edge (Triac/ELV) dimming to 1%
- Casambi bluetooth dimming to 0%

CONSTRUCTION

- Optimal material for wireless BLE signal connectivity
- Shatter proof acrylic bezel lens
- Electrocoated 16-gauge cold-rolled steel construction
- Accommodates ceiling thickness from 1/2" to 1-1/4"
- For servicing the driver/j-box, access above ceiling is required

LED

- Luminus tunable white COB:
95 CRI, R9 > 70: SDCM = 4-step MacAdam Ellipse; Lumen Maintenance: L70 > 54,000 hrs
- Nichia tunable white COB:
80 CRI, R9 > 0: SDCM = 3-step MacAdam Ellipse; Lumen Maintenance: L90 > 33,000 hrs

LISTING

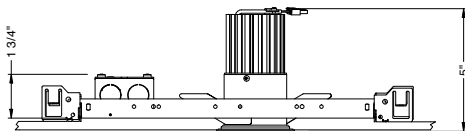
- ULus Listed to UL1598 & UL2108; cUL Listed to CSA C22.2 #250.0
- IP65 with lens - Suitable for wet locations with lens
- NSF/ANSI-2 with lens (Non-Food and Splash Zones)
- 5 Year Limited warranty

ELECTRICAL

- Power factory ≥ 0.9
- 2kV driver input surge protection
- Max. ambient installation temperature 95°F (35°C)

FIXTURE HEIGHT

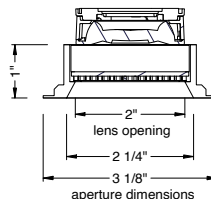
10LM - 15LM OUTPUT



TRIMMED



ceiling cutout
2-7/8" diameter
ceiling thickness
1/2" to 1-1/4"



alphabet

PROJECT INFORMATION		
JOB NAME		TYPE
ORDERING CODE		

ORDERING CODE																									
SERIES	NU2	NU2																							
TYPE	RD	round downlight																							
LED	TW	tunable white (Nichia)																							
DELIVERED LUMENS	10LM	1050 lm																							
	Standard Configuration: 3000K 95CRI 50D, CL Calculated Delivered Lumens = [Delivered Lumen Value] x [CCT Multiplier] x [Reflector Multiplier]																								
CCT	1840	1800K to 4000K tunable white																							
		<table border="1"> <thead> <tr> <th>CCT</th> <th>2700K</th> <th>3000K</th> <th>3500K</th> <th>4000K</th> <th>5000K</th> <th>5700K</th> <th>6500K</th> </tr> </thead> <tbody> <tr> <td>CCT MULTIPLIER FOR LUMEN OUTPUT</td> <td>0.91</td> <td>0.98</td> <td>1</td> <td>0.99</td> <td>1</td> <td>1.01</td> <td>1.02</td> </tr> <tr> <td>EML RATIO</td> <td>0.49</td> <td>0.57</td> <td>0.68</td> <td>0.79</td> <td>0.96</td> <td>1.04</td> <td>1.12</td> </tr> </tbody> </table>	CCT	2700K	3000K	3500K	4000K	5000K	5700K	6500K	CCT MULTIPLIER FOR LUMEN OUTPUT	0.91	0.98	1	0.99	1	1.01	1.02	EML RATIO	0.49	0.57	0.68	0.79	0.96	1.04
	CCT	2700K	3000K	3500K	4000K	5000K	5700K	6500K																	
	CCT MULTIPLIER FOR LUMEN OUTPUT	0.91	0.98	1	0.99	1	1.01	1.02																	
EML RATIO	0.49	0.57	0.68	0.79	0.96	1.04	1.12																		
2765	2700K to 6500K tunable white																								
	<table border="1"> <thead> <tr> <th>CCT</th> <th>1800K</th> <th>2000K</th> <th>2400K</th> <th>2700K</th> <th>3000K</th> <th>3500K</th> <th>4000K</th> </tr> </thead> <tbody> <tr> <td>CCT MULTIPLIER FOR LUMEN OUTPUT</td> <td>0.67</td> <td>0.74</td> <td>0.8</td> <td>0.85</td> <td>0.88</td> <td>0.95</td> <td>1.01</td> </tr> <tr> <td>EML RATIO</td> <td>0.21</td> <td>0.33</td> <td>0.46</td> <td>0.53</td> <td>0.59</td> <td>0.67</td> <td>0.73</td> </tr> </tbody> </table>	CCT	1800K	2000K	2400K	2700K	3000K	3500K	4000K	CCT MULTIPLIER FOR LUMEN OUTPUT	0.67	0.74	0.8	0.85	0.88	0.95	1.01	EML RATIO	0.21	0.33	0.46	0.53	0.59	0.67	0.73
CCT	1800K	2000K	2400K	2700K	3000K	3500K	4000K																		
CCT MULTIPLIER FOR LUMEN OUTPUT	0.67	0.74	0.8	0.85	0.88	0.95	1.01																		
EML RATIO	0.21	0.33	0.46	0.53	0.59	0.67	0.73																		
CRI	95	95 typical, 90 minimum																							
OPTIC & LM MULTIPLIER SEE PAGE 6	25D	25 degrees (0.99)																							
	30D	30 degrees (0.99)																							
	35D	35 degrees (0.97)																							
	50D	50 degrees (1.00)																							
TIR OPTIC ACCESSORY SEE PAGE 4	HCL	honeycomb louver (0.85)																							
BEZEL LENS SEE PAGE 4	CL	clear lens (0.98)																							
	DL	diffused lens (0.91)																							
	HET	high efficiency textured lens, similar to Solite™ (0.92)																							
	SBL	smoothing beam lens (0.92)																							
	Color lenses (amber, blue, green, red) see page 4.																								
BEZEL COLOR SEE PAGE 4	BK	black (0.98)																							
	WH	white (1.00)																							
	MC	matte chrome (0.99)																							
	BZ	bronze (0.98)																							
	WT	wheat (0.99)																							
	CC¹	custom color, consult factory for details																							
	Antimicrobial finish, add AM to black, white or matte chrome i.e. BKAM.																								

ORDERING CODE		
MOUNTING OPTIONS SEE PAGE 8, 9	NC	new construction with ceiling fitting plate
	RET	retrofit, no ceiling fitting plate
	For servicing the driver/j-box access above ceiling is required.	
VOLTAGE	120	120V
	UNV	120V-277V
DIMMING	DIM10Z²	eldoLED flicker free 0-10V dimming to 0%
	DALIZ	eldoLED flicker free DALI dimming to 0%
	CASZ	Casambi Bluetooth control with flicker free - dim to off

ADDITIONAL MOUNTING INFO	
New Construction Bar Hangers (included)	Mounting Length: 14-3/4" to 26"
Extension Kit p/n: K20266 (ordered separately, 1 per fixture)	Extends a pair of Bar Hangers Total Mounting Length: 29" to 48"

YOUR COMPLETED ORDERING CODE
Follow the steps to specify your fixture, example:
NU2 - RD - TW - 10LM - 2765 - 95 - 30D - HCL - SBL - WH - WH - NC - UNV - DIM10Z

NOTES

1. Custom set up fee plus minimum quantity required per color.
2. Requires 2 wall controllers (see wiring diagram).

* EML = equivalent melanopic lux. To calculate EML, multiply the measured photopic lux by the EML ratio for the given CCT. Example: 254 lux x 0.79 = 200 melanopic lux at 4000K.

* EldoLED uses logarithmic dimming curve as standard. For linear dimming curve, add "LIN" after dimming code, i.e. DIM10LIN.

alphabet

PROJECT INFORMATION		
JOB NAME		TYPE
ORDERING CODE		

		ORDERING CODE					
SERIES	NU2	NU2					
TYPE	RD	round downlight					
LED	TW	tunable white (Nichia)					
DELIVERED LUMENS	15LM	1430 lm					
		Standard Configuration: 3000K 80CRI 50D, SBL Calculated Delivered Lumens = [Delivered Lumen Value] x [CCT Multiplier] x [Reflector Multiplier]					
CCT	2750	2700K to 5000K tunable white					
		CCT	2700K	3000K	3500K	4000K	5000K
		EML RATIO	0.43	0.51	0.63	0.69	0.8
CRI	95	95 CRI					
OPTIC & LM MULTIPLIER SEE PAGE 7	20D	20 degrees	(0.97)				
	25D	25 degrees	(0.95)				
	35D	35 degrees	(0.88)				
	50D	50 degrees	(1.00)				
TIR OPTIC ACCESSORY SEE PAGE 5	HCL	honeycomb louver	(0.85)				
BEZEL LENS SEE PAGE 5	DL	diffused lens	(0.91)				
	HET	high efficiency textured lens, similar to Solite™	(0.92)				
	SBL	smoothing beam lens	(0.92)				
		Color lenses (amber, blue, green, red) see page 4.					
BEZEL COLOR SEE PAGE 5	BK	black	(0.98)				
	WH	white	(1.00)				
	MC	matte chrome	(0.99)				
	BZ	bronze	(0.98)				
	WT	wheat	(0.99)				
	CC¹	custom color, consult factory for details					
		Antimicrobial finish, add AM to black, white or matte chrome i.e. BKAM.					

		ORDERING CODE	
MOUNTING OPTIONS SEE PAGE 8, 9	NC	new construction with ceiling fitting plate	
	RET	retrofit, no ceiling fitting plate	
		For servicing the driver/j-box access above ceiling is required.	
VOLTAGE	120	120V	
	UNV	120V-277V	
DIMMING	DIM10Z²	eldoLED flicker free 0-10V dimming to 0%	
	DALIZ	eldoLED flicker free DALI dimming to 0%	
	CASZ	Casambi Bluetooth control with flicker free - dim to off	

ADDITIONAL MOUNTING INFO	
New Construction Bar Hangers (included)	Mounting Length: 14-3/4" to 26"
Extension Kit p/n: K20266 (ordered separately, 1 per fixture)	Extends a pair of Bar Hangers Total Mounting Length: 29" to 48"

YOUR COMPLETED ORDERING CODE	
Follow the steps to specify your fixture, example:	
NU2 - RD - TW - 15LM - 2750 - 80 - 20D - HCL - SBL - WH - WH - NC - UNV - DIM10Z	

NOTES

1. Custom set up fee plus minimum quantity required per color.
2. Requires 2 wall controllers (see wiring diagram).

* EML = equivalent melanopic lux. To calculate EML, multiply the measured photopic lux by the EML ratio for the given CCT. Example:

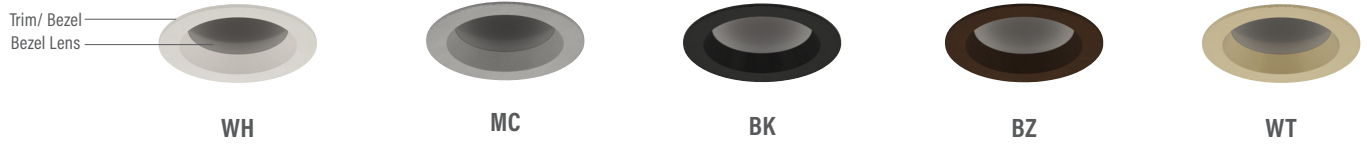
* EldoLED uses logarithmic dimming curve as standard. For linear dimming curve, add "LIN" after dimming code, i.e. DIM10LIN.

alphabet

PROJECT INFORMATION		
JOB NAME		TYPE
ORDERING CODE		

TRIM OPTIONS

TRIM/BEZEL COLORS

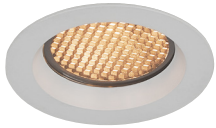


LUMINUS OPTICAL OPTIONS

- UGR calculation based on CIE 117-1995; room size: 4H X 8H, reflectance: 70/50/20;
- UGR calculation based on 15LM fixtures, unless otherwise noted.

HCL - SBL

Honeycomb Louver



OPTIC	BEAM ANGLE	UGR
25D	22.3	11
30D	26.3	10.5
35D	30.4	14.2
50D	39.1	15.1

DL

Diffused Lens



OPTIC	BEAM ANGLE	UGR
25D	41	22.4
30D	44.3	23.5
35D	48.3	24.3
50D	56.6	25.4

HET

High Efficiency Textured Lens



OPTIC	BEAM ANGLE	UGR
25D	27.1	16.5
30D	31.2	18.3
35D	36.4	19.8
50D	47.7	21

SBL

Smoothing Beam Lens



OPTIC	BEAM ANGLE	UGR
25D	24.3	15.3
30D	28.5	17.1
35D	35	18.6
50D	48.8	19.9

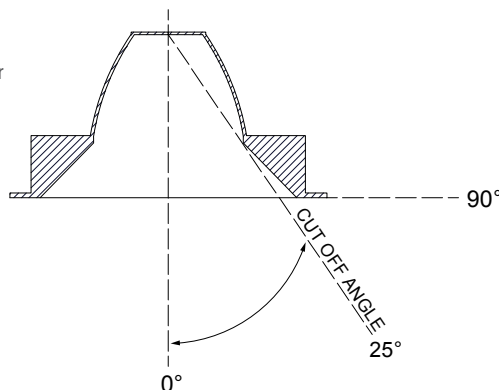
GLARE CONTROL

CUT-OFF ANGLE

Visual comfort is achieved with a lower cut-off angle due to improved glare control. The smaller the cut-off angle, the easier it is on the eye.

Alphabet downlights have been thoughtfully engineered to eliminate glare while still delivering functional illumination.

- Cutoff angle of NL and CL is 25 degrees;

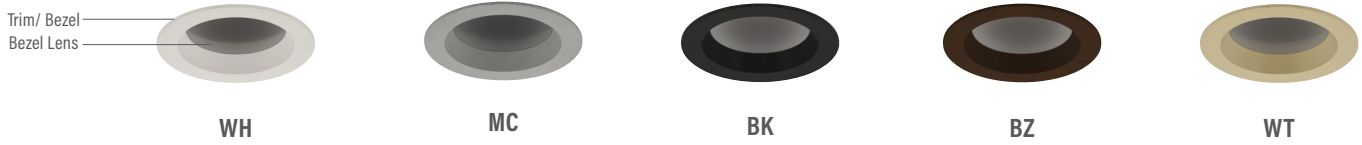


alphabet

PROJECT INFORMATION		
JOB NAME		TYPE
ORDERING CODE		

TRIM OPTIONS

TRIM/BEZEL COLORS

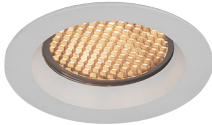


NICHIA OPTICAL OPTIONS

- UGR calculation based on CIE 117-1995; room size: 4H X 8H, reflectance: 70/50/20;
- UGR calculation based on 15LM fixtures, unless otherwise noted.

HCL - SBL

Honeycomb Louver



OPTIC	BEAM ANGLE	UGR
20D	19.3	9.7
25D	24.2	11.7
35D	30.3	13.5
50D	41.4	15.4

DL

Diffused Lens



OPTIC	BEAM ANGLE	UGR
20D	38	22
25D	42.2	23.9
35D	46.7	24.6
50D	56.2	25.9

HET

High Efficiency Textured Lens



OPTIC	BEAM ANGLE	UGR
20D	24.3	15.7
25D	29.2	18
35D	35.5	19.8
50D	48.3	21.7

SBL

Smoothing Beam Lens



OPTIC	BEAM ANGLE	UGR
20D	20.3	14.6
25D	26.5	16.8
35D	33.9	18.6
50D	49	20.4

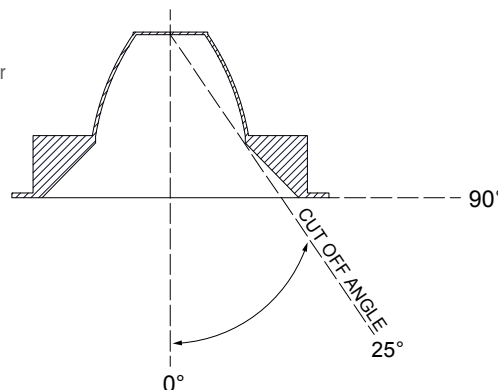
GLARE CONTROL

CUT-OFF ANGLE

Visual comfort is achieved with a lower cut-off angle due to improved glare control. The smaller the cut-off angle, the easier it is on the eye.

Alphabet downlights have been thoughtfully engineered to eliminate glare while still delivering functional illumination.

- Cutoff angle of NL and CL is 25 degrees;



alphabet

PROJECT INFORMATION		
JOB NAME		TYPE
ORDERING CODE		

PHOTOMETRIC DATA

10LM LUMINUS

25D 24° SMOOTHING BEAM LENS	
Throw Distance (ft)	Beam Diameter (ft)
6	2.6
8	3.5
10	4.3
12	5.2
14	6
Illuminance at Center (fc)	
115	
65	
41	
29	
21	
WATTS:: 19.6	LPW:: 49.3
LUMENS: 966	CCT:: 3500K
INTENSITY	
DEGREE	CANDELA
0	4142
5	3678
15	1454
25	316
35	81
45	30

30D 29° SMOOTHING BEAM LENS	
Throw Distance (ft)	Beam Diameter (ft)
6	3.1
8	4.1
10	5.1
12	6.1
14	7.1
Illuminance at Center (fc)	
84	
47	
30	
21	
16	
WATTS:: 19.6	LPW:: 49.9
LUMENS: 977	CCT:: 3500K
INTENSITY	
DEGREE	CANDELA
0	3039
5	2761
15	1429
25	447
35	112
45	40

35D 35° SMOOTHING BEAM LENS	
Throw Distance (ft)	Beam Diameter (ft)
6	3.8
8	5
10	6.3
12	7.5
14	8.8
Illuminance at Center (fc)	
58	
33	
21	
15	
11	
WATTS:: 19.6	LPW:: 46.6
LUMENS: 913	CCT:: 3500K
INTENSITY	
DEGREE	CANDELA
0	2092
5	1963
15	1243
25	511
35	143
45	42

50D 49° SMOOTHING BEAM LENS	
Throw Distance (ft)	Beam Diameter (ft)
6	5.5
8	7.3
10	9.1
12	10.9
14	12.7
Illuminance at Center (fc)	
44	
25	
16	
11	
8	
WATTS:: 19.6	LPW:: 53.5
LUMENS: 1048	CCT:: 3500K
INTENSITY	
DEGREE	CANDELA
0	1599
5	1571
15	1256
25	773
35	223
45	32

alphabet

PROJECT INFORMATION		
JOB NAME		TYPE
ORDERING CODE		

PHOTOMETRIC DATA

15LM NICHIA

20D 20° SMOOTHING BEAM LENS	
Throw Distance (ft)	Beam Diameter (ft)
6	2.2
8	2.9
10	3.6
12	4.3
14	5
Illuminance at Center (fc)	
217	
122	
78	
54	
40	
WATTS:: 19.7	LPW:: 70.5
LUMENS: 1389	CCT:: 3500K
INTENSITY	
DEGREE	CANDELA
0	7804
5	6609
15	1955
25	360
35	94
45	33

25D 27° SMOOTHING BEAM LENS	
Throw Distance (ft)	Beam Diameter (ft)
6	2.8
8	3.8
10	4.7
12	5.7
14	6.6
Illuminance at Center (fc)	
138	
78	
50	
35	
25	
WATTS:: 19.7	LPW:: 69.1
LUMENS: 1362	CCT:: 3500K
INTENSITY	
DEGREE	CANDELA
0	4971
5	4474
15	2095
25	521
35	121
45	44

35D 34° SMOOTHING BEAM LENS	
Throw Distance (ft)	Beam Diameter (ft)
6	3.7
8	4.9
10	6.1
12	7.4
14	8.6
Illuminance at Center (fc)	
87	
49	
31	
22	
16	
WATTS:: 19.7	LPW:: 64.2
LUMENS: 1264	CCT:: 3500K
INTENSITY	
DEGREE	CANDELA
0	3121
5	2939
15	1828
25	674
35	164
45	49

50D 49° SMOOTHING BEAM LENS	
Throw Distance (ft)	Beam Diameter (ft)
6	5.5
8	7.3
10	9.1
12	11
14	12.8
Illuminance at Center (fc)	
63	
35	
23	
16	
12	
WATTS:: 19.7	LPW:: 72.5
LUMENS: 1429	CCT:: 3500K
INTENSITY	
DEGREE	CANDELA
0	2256
5	2202
15	1743
25	1097
35	260
45	36

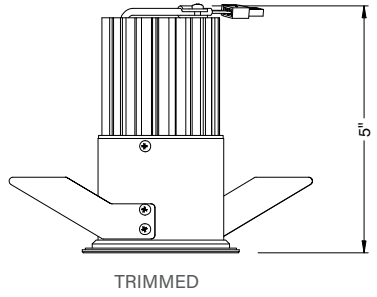
alphabet

PROJECT INFORMATION		
JOB NAME		TYPE
ORDERING CODE		

MOUNTING OPTIONS

FIXTURE HEIGHT

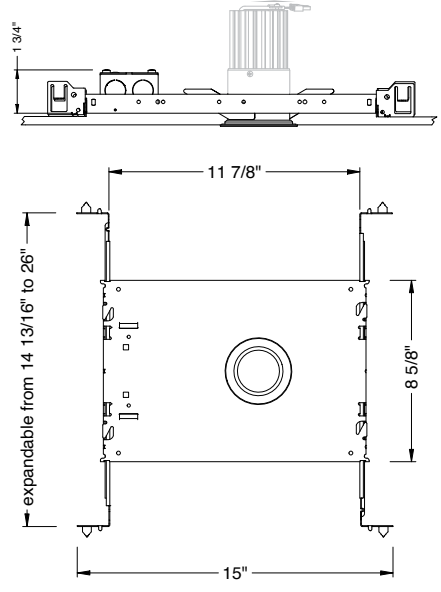
10LM - 15LM OUTPUT



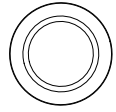
TRIMMED

NC - NEW CONSTRUCTION

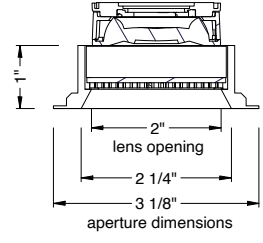
TRIM



TRIM



ceiling cutout
2-7/8" diameter
ceiling thickness
1/2" to 1-1/4"

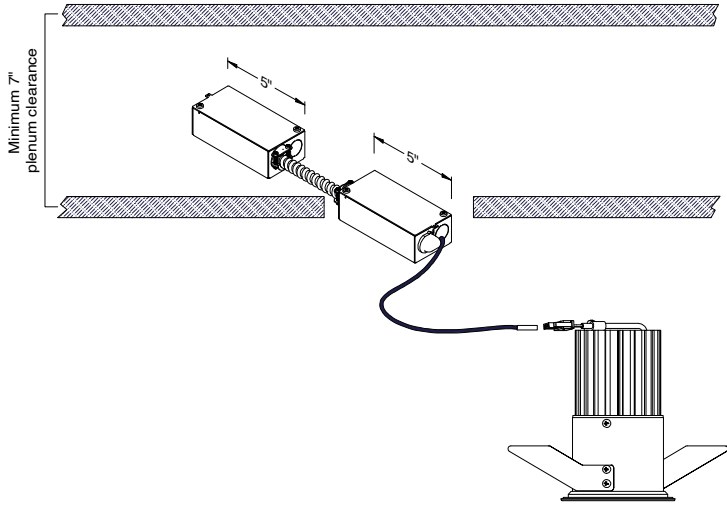


alphabet

PROJECT INFORMATION			
JOB NAME		TYPE	
ORDERING CODE			

MOUNTING OPTIONS

RET - RETRO TRIM/TRIMLESS



RATINGS / CERTIFICATIONS	NC	RET	IC	ICAT	CP
TYPE NON-IC	✓	✓			
TYPE IC					
CHICAGO PLENUM (CCEA)					
SUITABLE FOR AIR HANDLING PLENUMS	✓	✓			
REDUCED AIRFLOW (WITH LENS) ASTM E283	✓	✓			

CEILING THICKNESS	
FIXTURE TYPE	MOUNTING TYPE
	NC, RET
	STANDARD CEILING THICKNESS
TRIM	1/2" to 1-1/4"