

alphabet

PROJECT INFORMATION		
JOB NAME		TYPE
ORDERING CODE		

NU2

2" Round Downlight Standard White



30° - 55° BEAM (Note: Specifications are subject to change without notice)		
14mm COB PERFORMANCE DATA		
LED LIGHT ENGINE	NOMINAL DELIVERED LUMENS	SYSTEM WATTAGE
10LM	890LM @30K/80CRI	9W
15LM	1560LM @30K/80CRI	15W
20LM	2080LM @30K/80CRI	20W
10LM	760LM @30K/90CRI	9W
15LM	1330LM @30K/90CRI	15W
20LM	1770LM @30K/90CRI	20W
Notes	Delivered lumens based on 50D optic with CL lens, (see page 2)	

20° BEAM (Note: Specifications are subject to change without notice)		
9mm COB PERFORMANCE DATA		
LED LIGHT ENGINE	NOMINAL DELIVERED LUMENS	SYSTEM WATTAGE
10LM	850LM @30K/80CRI	9W
15LM	1580LM @30K/80CRI	17W
10LM	720LM @30K/90CRI	9W
15LM	1350LM @30K/90CRI	17W
Notes	Delivered lumens based on 20D optic with CL lens, (see page 2)	



Trim

FEATURES

- 1/4" bezel regress with 3/32" micro flange
- 20° - 55° optical beam control
- UGR < 17
- 100 LPW average
- Glare control, specialty optics, trim options, and custom finishes available
- Microban® antimicrobial finish available on all exposed painted surfaces

LED

- 90 CRI: SDCM = 2-step MacAdam Ellipse, Lumen Maintenance: L₇₀ > 66,000 hrs
- 80 CRI: SDCM = 2-step MacAdam Ellipse, Lumen Maintenance: L₇₀ > 66,000 hrs

DIMMING AND CONTROLS

- eldoLED flicker free 0-10V dimming to 0% and 1%
- eldoLED flicker free DALI dimming to 0% and 1%
- Lutron Hi-lumen 2-Wire (Eco System) dimming to 0.1% and 1%
- Leading & trailing edge (Triac/ELV) dimming to 1%
- Casambi bluetooth dimming to 1.0%
- NLight control interface dimming to 0%

LISTING

- ULus Listed to UL1598 & UL2108; cUL Listed to CSA C22.2 #250.0
- IP65 with lens - Suitable for wet locations with lens
- NSF/ANSI-2 with lens (Non-Food and Splash Zones)
- 5 Year Limited warranty

CONSTRUCTION

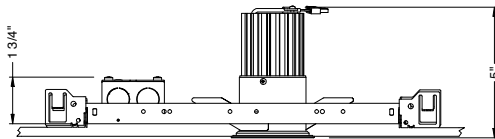
- Optimal material for wireless BLE signal connectivity
- Shatter proof acrylic bezel lens
- Electrocoated 16-gauge cold-rolled steel construction
- Accommodates ceiling thickness from 1/2" to 1-1/4"

ELECTRICAL

- 120V-277V, 120 only Triac / ELV
- Power factory ≥ 0.9
- 2kV driver input surge protection
- Remote emergency test switch
- 7W, 10W (T20 CEC) and 12W EM 90min battery
- Max. ambient installation temperature 95°F (35°C)

FIXTURE HEIGHT

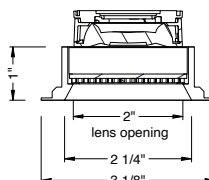
10LM - 20LM LOW LUMENS



TRIMMED



ceiling cutout
2-7/8" diameter
ceiling thickness
1/2" to 1-1/4"



alphabet

PROJECT INFORMATION		
JOB NAME		TYPE
ORDERING CODE		

ORDERING CODE	
SERIES	NU2 NU2
TYPE	RD round downlight
LED	SW standard white
DELIVERED LUMENS	10LM 890 lm
	15LM 1560 lm
	20LM 2080 lm
Standard Configuration: 3000K 80CRI 50D, CL Calculated Delivered Lumens = [Delivered Lumen Value] x [CCT Multiplier] x [Reflector Multiplier]	
CCT	27K 2700K
	30K 3000K
	35K 3500K
	40K 4000K
CRI	80 80 CRI
	90 90 CRI
OPTIC & LM MULTIPLIER SEE PAGE 4	20D 20 degrees (1.00)
	30D 30 degrees (0.95)
	35D 35 degrees (0.88)
	55D 55 degrees (1.00)
BEZEL LENS SEE PAGE 3	CL clear lens (1.00)
	DL diffused lens (0.96)
	HET high efficiency textured lens, similar to Solite™ (1.00)
	HCL ¹ honeycomb louver (0.75)
	SBL smoothing beam lens (0.99)
Maximum 2pcs of media per fixture.	
BEZEL COLOR SEE PAGE 3	BK black (0.98)
	WH white (1.00)
	MC matte chrome (0.99)
	BZ bronze (0.98)
	WT wheat (0.99)
	CC ² custom color, consult factory for details
Antimicrobial finish, add AM to black, white or matte chrome i.e. BKAM.	

ORDERING CODE	
MOUNTING OPTIONS SEE PAGE 5, 6	NC new construction with ceiling fitting plate
	IC ³ insulation contact housing
	ICAT ³ insulation contact/airtight housing
	CP ³ chicago plenum housing
RET retrofit, no ceiling fitting plate	
VOLTAGE	120 120V
	UNV 120V-277V
DIMMING	DIM10 eldoLED flicker free 0-10V dimming to 1%
	DIM10Z eldoLED flicker free 0-10V dimming to 0%
	DALI eldoLED flicker free DALI 2 dimming to 1%
	DALIZ eldoLED flicker free DALI 2 dimming to 0%
	LUT Lutron Hi-lume Ecosystem dimming to 1%, Soft-on & Fade-to-Black
	LUTP ⁴ Lutron Hi-lume Premier Ecosystem dimming to 0.1%, Soft-on & Fade-to-Black
	ELV1 ⁵ leading & trailing edge (Triac/ELV) dimming to 1%
	NLT ⁶ nLight control interface: standard Cat-5/RJ45 connection (female), dim to off
CAS Casambi Bluetooth control with flicker free 1% dimming	
ELECTRICAL OPTIONS	EM7 emergency battery backup, 90 minutes at 7W to LED
	EM12 emergency battery backup, 90 minutes at 12W to LED
	EM10CA20 emergency battery backup, 90 minutes at 10W to LED, CA title 20

ADDITIONAL MOUNTING INFO	
New Construction Bar Hangers (included)	Mounting Length: 14-3/4" to 26"
Extension Kit p/n: K20266 (ordered separately, 1 per fixture)	Extends a pair of Bar Hangers Total Mounting Length: 29" to 48"

YOUR COMPLETED ORDERING CODE
Follow the steps to specify your fixture, example:
NU2 - RD - SW - 20LM - 35K - 90 - 30D - CL - WH - WH - NC - UNV - DIM10 - EM7

NOTES

- HCL option does not meet requirements for AT/WET/NSF.
- Custom set up fee plus minimum quantity required per color.
- IC/ICAT/CP not available in 20LM.
- LUTP not available in 20LM
- ELV1 (120V) not available in 10LM.
- For servicing access above ceiling is required

* EldoLED uses logarithmic dimming curve as standard. For linear dimming curve, add "LIN" after dimming code, i.e. DIM10LIN.

alphabet

PROJECT INFORMATION		
JOB NAME		TYPE
ORDERING CODE		

TRIM OPTIONS

TRIM/BEZEL COLORS

Trim/ Bezel
Bezel Lens



WH



MC



BK



BZ



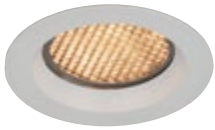
WT

OPTICAL OPTIONS

- UGR calculation based on CIE 117-1995; room size: 4H X 8H, reflectance: 70/50/20;
- UGR calculation based on 15LM fixtures, unless otherwise noted.

HCL - CL

Honeycomb Louver



OPTIC	BEAM ANGLE	UGR
20D	18	9.5
30D	27	12.2
35D	30	15.6
55D	45	17.6

DL

Diffused Lens



OPTIC	BEAM ANGLE	UGR
20D	38	22.5
30D	44	24.8
35D	51	26.3
55D	59	27.2

CL

Clear Lens



OPTIC	BEAM ANGLE	UGR
20D	18	12.4
30D	29	16.6
35D	36	20.6
55D	54	22.3

SBL

Smoothing Beam Lens



OPTIC	BEAM ANGLE	UGR
20D	19	14
30D	29	17.4
35D	36	21
55D	54	22.4

HET

High Efficiency Textured Lens



OPTIC	BEAM ANGLE	UGR
20D	23	15.1
30D	31	18.8
35D	38	22
55D	52	23.3

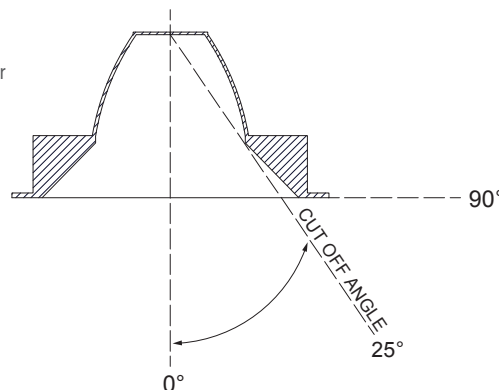
GLARE CONTROL

CUT-OFF ANGLE

Visual comfort is achieved with a lower cut-off angle due to improved glare control. The smaller the cut-off angle, the easier it is on the eye.

Alphabet downlights have been thoughtfully engineered to eliminate glare while still delivering functional illumination.

- Cutoff angle of NL and CL is 25 degrees;



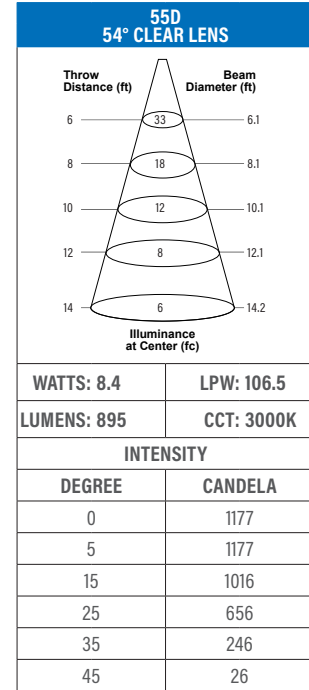
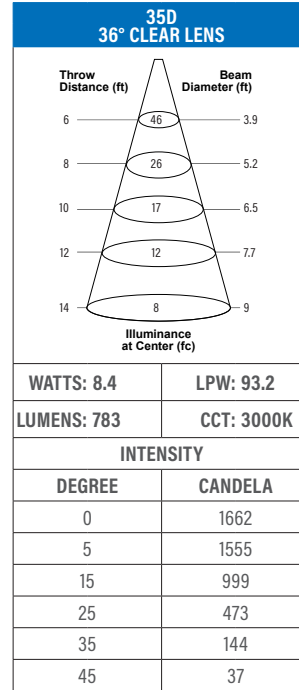
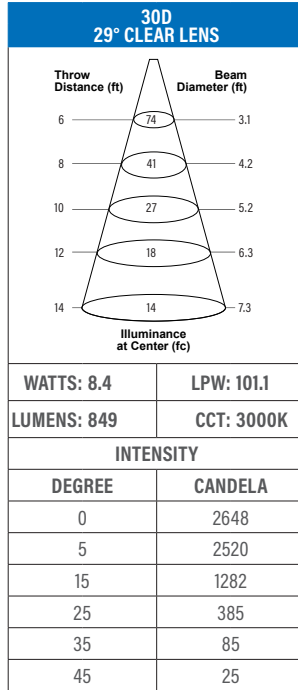
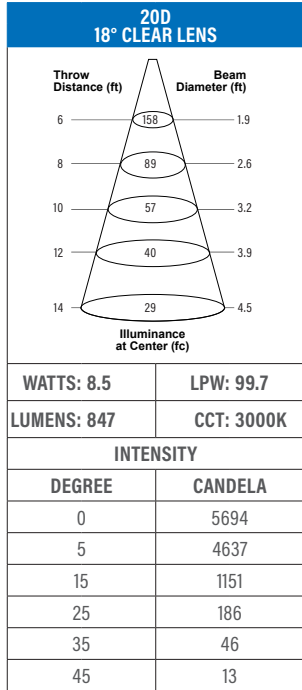
alphabet

PROJECT INFORMATION		
JOB NAME		TYPE
ORDERING CODE		

PHOTOMETRIC DATA

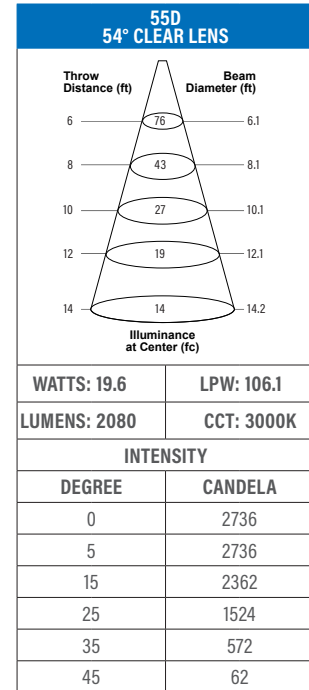
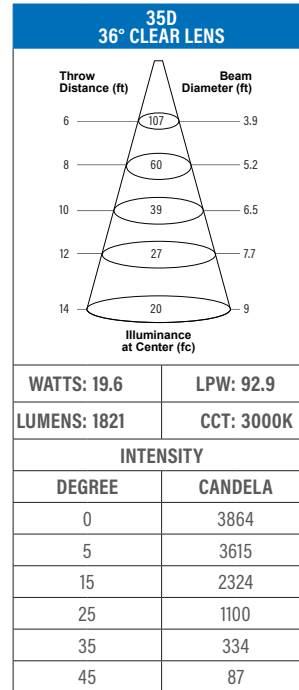
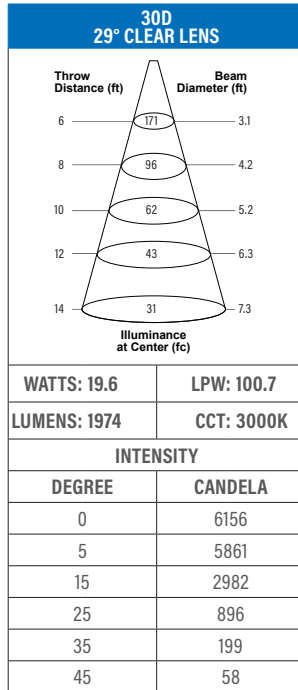
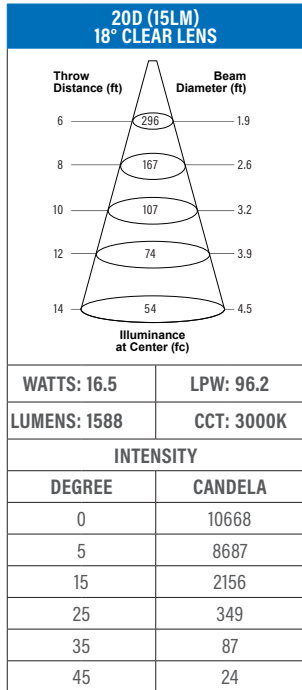
10LM	80CRI	90CRI
2700K	0.96	0.81
3000K	1	0.85
3500K	1.03	0.88
4000K	1.06	0.91

FC Formula = CBCP / Distance²



20LM	80CRI	90CRI
2700K	0.96	0.81
3000K	1	0.85
3500K	1.03	0.88
4000K	1.06	0.91

FC Formula = CBCP / Distance²

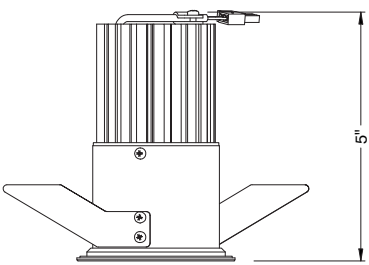


alphabet

PROJECT INFORMATION			
JOB NAME		TYPE	
ORDERING CODE			

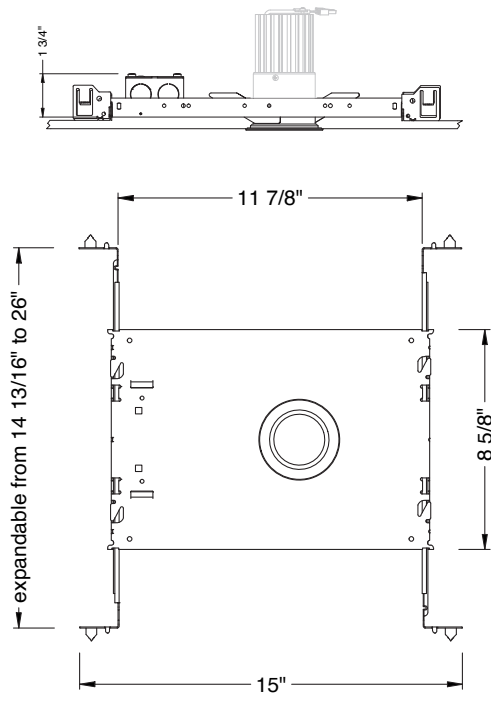
MOUNTING OPTIONS

FIXTURE HEIGHT

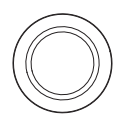


NC - NEW CONSTRUCTION

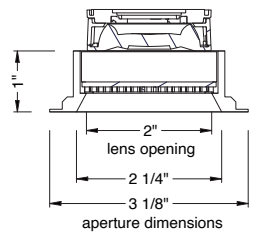
TRIM



TRIM



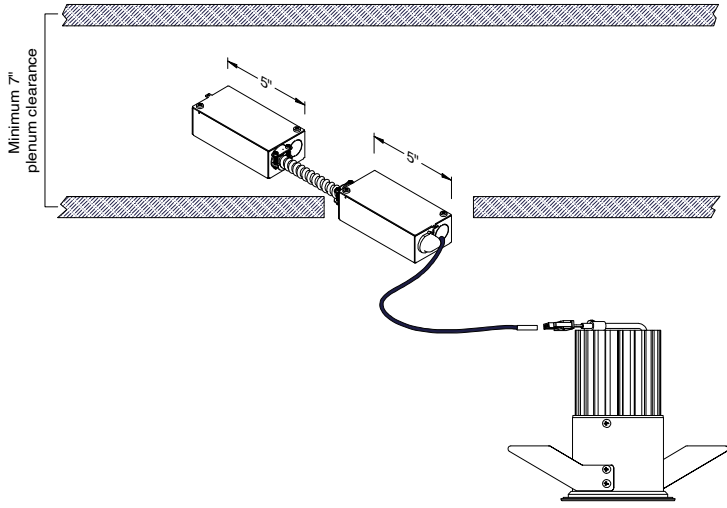
ceiling cutout
2-7/8" diameter
ceiling thickness
1/2" to 1-1/4"



PROJECT INFORMATION		
JOB NAME	TYPE	
ORDERING CODE		

MOUNTING OPTIONS

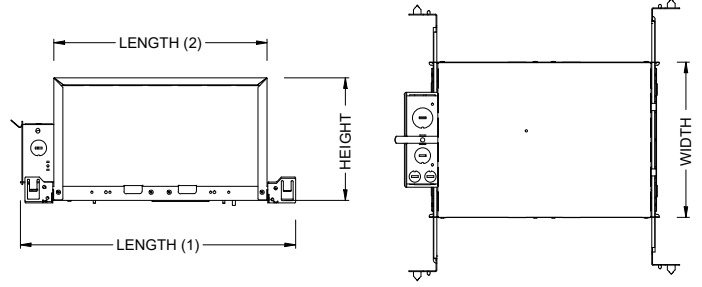
RET - RETRO TRIM/TRIMLESS



RATINGS / CERTIFICATIONS	NC	RET	IC	ICAT	CP
TYPE NON-IC	✓	✓			
TYPE IC			✓	✓	✓
CHICAGO PLENUM (CCEA)					✓
SUITABLE FOR AIR HANDLING PLENUMS	✓	✓	✓	✓	✓
REDUCED AIRFLOW (WITH LENS) ASTM E283	✓	✓	✓	✓	✓

CEILING THICKNESS	
FIXTURE TYPE	MOUNTING TYPE
	STANDARD CEILING THICKNESS
TRIM	1/2" to 1-1/4"

IC - INSULATION CONTACT HOUSING ICAT - INSULATION CONTACT / AIR TIGHT CP - CHICAGO PLENUM



BOX SIZE	L1	L2	W	H
A	15 - 7/16"	11 - 3/4"	8 - 1/2"	6 - 3/4"

BOX TYPE / LUMEN OUTPUT - NARROW BEAM (20°)			
LUMEN OUTPUT	BOX-A		
	CP	IC	ICAT
10LM	✓	✓	✓
15LM	✓	✓	✓

BOX TYPE / LUMEN OUTPUT - STANDARD BEAM (35°-55°)			
LUMEN OUTPUT	BOX-A		
	CP	IC	ICAT
10LM	✓	✓	✓
15LM	✓	✓	✓
20LM			

PROJECT INFORMATION		
JOB NAME		TYPE
ORDERING CODE		

BATTERY OPTIONS

EMERGENCY BATTERY

IOTA's ILB Battery Backups are UL Listed LED emergency drivers that allow the same LED fixture to be used for both normal and emergency operation. In the event of a power failure, the ILB switches to the emergency mode and operates the existing fixture for 90 minutes. The unit contains a battery, charger, and converter circuit in a single can. The Constant Power design of the ILB maintains the output wattage to the LED array even as the system voltage diminishes. UL 924 Listed for U.S. and Canada. UL 1310 Certified, Output Class 2 Compliant. Includes single-piece TBTS test switch and charge indicator accessory kit. For use with switched and unswitched fixtures, and includes Two-wire universal AC input. Meets or exceeds all National Electric Code and Life Safety Code Emergency Lighting Requirements. Rated for use in Plenum, Damp Location, Recessed Type IC, and Enclosed and Gasketed Luminaires.

REMOTE TEST SWITCH

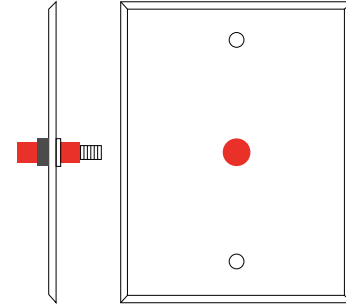
The Remote Test Switch may be mounted adjacent to the LED Fixture by others.

EMERGENCY BATTERY ACCESS

Above ceiling access is recommended for ease of service, but LED Fixture Sizes of 4" and Larger are capable of below ceiling access. IC/ICAT/CP Box and ITS option require an access panel in the ceiling (or other form of access) adjacent to the installation location of the Emergency Battery.

REMOTE LOCATION

Maximum remote mounting distance of the emergency driver shall be 50 feet. Remote location wiring provided by others. Follow all Local and National Electric/ Building Codes.



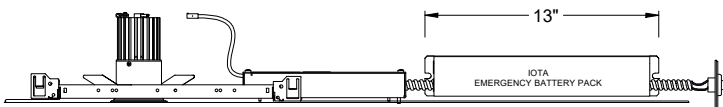
Remote Test Switch

EM MODE OUTPUT (DELIVERED LUMENS)

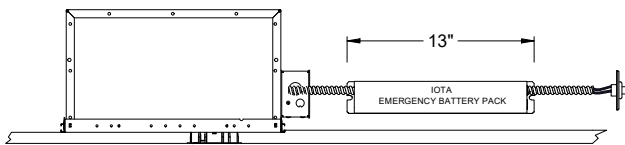
LUMEN ORDERING CODE	EM7	EM10	EM12
ALL OPTIONS (10LM TO 20LM)	730LM	1050LM	1250LM

Notes: Based on 30K, 80CRI

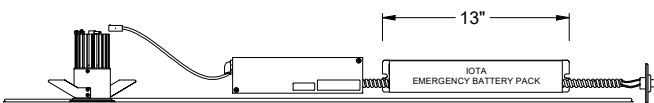
NC - NEW CONSTRUCTION WITH EM BATTERY (REMOTE TEST SWITCH)



IC / ICAT / CP - INSULATION CONTACT HOUSING WITH EM BATTERY (REMOTE TEST SWITCH)

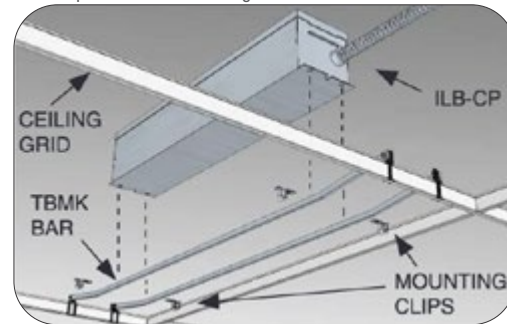


RET - RETROFIT WITH EM BATTERY (REMOTE TEST SWITCH)



Accessory

76066 Optional T-Grid Mounting Kit¹



1. Can be used with any of the Emergency Battery Backups. Must be ordered as a separate line item.